



Operation Manual

PRODUCT NAME

Fieldbus system

EtherNet/IP™ compatible SI Unit

IO-Link Master Unit

MODEL / Series / Product Number

EX600-SEN3-X80

EX600-ED#

EX600-LAB1

EX600-LBB1

SMC Corporation

Table of Contents

Safety Instructions	3
System Outline	9
Definition and terminology	10
Assembly	11
Mounting and Installation	13
Installation	13
Wiring	15
SI Unit	
Model Indication and How to Order	16
Summary of Product parts	16
Mounting and Installation	17
Wiring	17
Setting and Adjustment	18
LED Display	22
Specification	25
Specifications	25
Dimensions	26
End Plate	
Model Indication and How to Order	27
Summary of Product parts	28
Mounting and Installation	30
Wiring	30
Specification	32
Specifications	32
Dimensions	33
IO-Link Master Unit	
Model Indication and How to Order	40
Summary of Product parts	40
Mounting and Installation	41
Wiring	41
LED Display	42
Specification	44
Specifications	44
Dimensions	45
Maintenance	46
Troubleshooting	47
Parameter Setting	58
Parameter definition and setting	58

I/O Map	80
Diagnosis	86
Details of diagnostic data	87
Diagnosis of IO-Link master unit data	88
Hardware Configuration	89
EDS file and icon	89
Setting using Logix Designer™	89
Configuration assembly	94
Parameter setting of EX600 with configuration assembly	94
Parameter setting of IO-Link device with configuration assembly	107
Configuration assembly setting method example	108
Device Level Ring (DLR) function	111
QuickConnect™ function	111
EtherNet/IP™ Object	113
IO-Link SMI service	120
Web Server	125
Accessories	134



Safety Instructions

These safety instructions are intended to prevent hazardous situations and/or equipment damage. These instructions indicate the level of potential hazard with the labels of "Caution", "Warning" or "Danger". They are all important notes for safety and must be followed in addition to International Standards (ISO/IEC)*1), and other safety regulations.

*1) ISO 4414: Pneumatic fluid power -- General rules relating to systems.

ISO 4413: Hydraulic fluid power -- General rules relating to systems.

IEC 60204-1: Safety of machinery -- Electrical equipment of machines. (Part 1: General requirements)

ISO 10218: Manipulating industrial robots -Safety.

etc.



Caution

Caution indicates a hazard with a low level of risk which, if not avoided, could result in minor or moderate injury.



Warning

Warning indicates a hazard with a medium level of risk which, if not avoided, could result in death or serious injury.



Danger

Danger indicates a hazard with a high level of risk which, if not avoided, will result in death or serious injury.

Warning

1. The compatibility of the product is the responsibility of the person who designs the equipment or decides its specifications.

Since the product specified here is used under various operating conditions, its compatibility with specific equipment must be decided by the person who designs the equipment or decides its specifications based on necessary analysis and test results.

The expected performance and safety assurance of the equipment will be the responsibility of the person who has determined its compatibility with the product.

This person should also continuously review all specifications of the product referring to its latest catalog information, with a view to giving due consideration to any possibility of equipment failure when configuring the equipment.

2. Only personnel with appropriate training should operate machinery and equipment.

The product specified here may become unsafe if handled incorrectly.

The assembly, operation and maintenance of machines or equipment including our products must be performed by an operator who is appropriately trained and experienced.

3. Do not service or attempt to remove product and machinery/equipment until safety is confirmed.

1. The inspection and maintenance of machinery/equipment should only be performed after measures to prevent falling or runaway of the driven objects have been confirmed.

2. When the product is to be removed, confirm that the safety measures as mentioned above are implemented and the power from any appropriate source is cut, and read and understand the specific product precautions of all relevant products carefully.

3. Before machinery/equipment is restarted, take measures to prevent unexpected operation and malfunction.

4. Contact SMC beforehand and take special consideration of safety measures if the product is to be used in any of the following conditions.

1. Conditions and environments outside of the given specifications, or use outdoors or in a place exposed to direct sunlight.

2. Installation on equipment in conjunction with atomic energy, railways, air navigation, space, shipping, vehicles, military, medical treatment, combustion and recreation, or equipment in contact with food and beverages, emergency stop circuits, clutch and brake circuits in press applications, safety equipment or other applications unsuitable for the standard specifications described in the product catalog.

3. An application which could have negative effects on people, property, or animals requiring special safety analysis.

4. Use in an interlock circuit, which requires the provision of double interlock for possible failure by using a mechanical protective function, and periodical checks to confirm proper operation.



Safety Instructions

Caution

1. The product is provided for use in manufacturing industries.

The product herein described is basically provided for peaceful use in manufacturing industries. If considering using the product in other industries, consult SMC beforehand and exchange specifications or a contract if necessary. If anything is unclear, contact your nearest sales branch.

Limited warranty and Disclaimer/Compliance Requirements

The product used is subject to the following "Limited warranty and Disclaimer" and "Compliance Requirements".

Read and accept them before using the product.

Limited warranty and Disclaimer

1. The warranty period of the product is 1 year in service or 1.5 years after the product is delivered, whichever is first.*2)

Also, the product may have specified durability, running distance or replacement parts. Please consult your nearest sales branch.

2. For any failure or damage reported within the warranty period which is clearly our responsibility, a replacement product or necessary parts will be provided.

This limited warranty applies only to our product independently, and not to any other damage incurred due to the failure of the product.

3. Prior to using SMC products, please read and understand the warranty terms and disclaimers noted in the specified catalog for the particular products.

***2) Vacuum pads are excluded from this 1 year warranty.**

A vacuum pad is a consumable part, so it is warranted for a year after it is delivered.

Also, even within the warranty period, the wear of a product due to the use of the vacuum pad or failure due to the deterioration of rubber material are not covered by the limited warranty.

Compliance Requirements

1. The use of SMC products with production equipment for the manufacture of weapons of mass destruction (WMD) or any other weapon is strictly prohibited.

2. The exports of SMC products or technology from one country to another are governed by the relevant security laws and regulation of the countries involved in the transaction. Prior to the shipment of a SMC product to another country, assure that all local rules governing that export are known and followed.

Operator

- ◆ This operation manual is intended for those who have knowledge of machinery using pneumatic equipment, and have sufficient knowledge of assembly, operation and maintenance of such equipment. Only those persons are allowed to perform assembly, operation and maintenance.
- ◆ Read and understand this operation manual carefully before assembling, operating or providing maintenance to the product.

■ Safety Instructions

Warning

- Do not disassemble, modify (including changing the printed circuit board) or repair.
An injury or failure can result.
- Do not operate or set with wet hands.
This may lead to an electric shock.
- Do not operate the product outside of the specifications.
Do not use for flammable or harmful fluids.
Fire, malfunction, or damage to the product can result.
Verify the specifications before use.
- Do not operate in an atmosphere containing flammable or explosive gases.
Fire or an explosion can result.
This product is not designed to be explosion proof.
- If using the product in an interlocking circuit:
 - Provide a double interlocking system, for example a mechanical system.
 - Check the product regularly for proper operation.Otherwise malfunction can result, causing an accident.
- The following instructions must be followed during maintenance:
 - Turn off the power supply.
 - Stop the air supply, exhaust the residual pressure and verify that the air is released before performing maintenance.Otherwise an injury can result.

Caution

- When handling the unit or assembling/replacing units:
 - Do not touch the sharp metal parts of the connector or plug for connecting units.
 - Take care not to hit your hand when disassembling the unit.
The connecting portions of the unit are firmly joined with seals.
 - When joining units, take care not to get fingers caught between units.
An injury can result.
- After maintenance is complete, perform appropriate functional inspections.
Stop operation if the equipment does not function properly.
Safety cannot be assured in the case of unexpected malfunction.
- Provide grounding to assure the safety and noise resistance of the Fieldbus system.
Individual grounding should be provided close to the product with a short cable.

■ **NOTE**

- Follow the instructions given below when designing, selecting and handling the product.
 - The instructions on design and selection (installation, wiring, environment, adjustment, operation, maintenance, etc.) described below must also be followed.
 - *Product specifications
 - The direct current power supply to combine should be UL1310 Class 2 power supply when conformity to UL is necessary.
 - Use the specified voltage.
Otherwise failure or malfunction can result.
 - Reserve a space for maintenance.
Allow sufficient space for maintenance when designing the system.
 - Do not remove any nameplates or labels.
This can lead to incorrect maintenance, or misreading of the operation manual, which could cause damage or malfunction to the product.
It may also result in non-conformity to safety standards.
 - Beware of inrush current when the power supply is turned on.
Some connected loads can apply an initial charge current which will activate the over current protection function, causing the unit to malfunction.

●Product handling

*Installation

- Do not drop, hit or apply excessive shock to the SI unit.

Otherwise damage to the product can result, causing malfunction.

- Tighten to the specified tightening torque.

If the tightening torque is exceeded the mounting screws may be broken.

IP67 protection cannot be guaranteed if the screws are not tightened to the specified torque.

- If a large manifold valve is mounted, lift the unit so that stress is not applied to the connecting part while transporting.

The stress may cause breakage of the connecting part. The unit may become very heavy depending on the combination. Transportation/installation shall be performed by multiple operators.

- Never mount a product in a location that will be used as a foothold.

The product may be damaged if excessive force is applied by stepping or climbing onto it.

*Wiring

- Avoid repeatedly bending or stretching the cables, or placing heavy load on them.

Repetitive bending stress or tensile stress can cause breakage of the cable.

- Wire correctly.

Incorrect wiring can break the product.

- Do not perform wiring while the power is on.

Otherwise damage to the SI unit and/or input or output device can result, causing malfunction.

- Do not route wires and cables together with power or high voltage cables.

Otherwise the SI unit and/or input or output device can malfunction due to interference of noise and surge voltage from power and high voltage cables to the signal line.

Route the wires (piping) of the SI unit and/or input or output device separately from power or high voltage cables.

- Confirm proper insulation of wiring.

Poor insulation (interference from another circuit, poor insulation between terminals, etc.) can lead to excess voltage or current being applied to the product, causing damage.

- Take appropriate measures against noise, such as using a noise filter, when the Fieldbus system is incorporated into equipment.

Otherwise noise can cause malfunction.

*Environment

- Select the proper type of protection according to the environment of operation.

IP67 protection is achieved when the following conditions are met.

(1) The units are connected properly with fieldbus cable with M12 connector and power cable with M12 (M8) connector.

(2) Suitable mounting of each unit and manifold valve.

(3) Be sure to fit a waterproof cap on any unused connectors.

If using in an environment that is exposed to water splashes, please take measures such as using a cover.

Do not use in an environment where moisture or water vapor are present. Otherwise failure and malfunction can result.

- Do not use in a place where the product could be splashed by oil or chemicals.

If the product is to be used in an environment containing oils or chemicals such as coolant or cleaning solvent, even for a short time, it may be adversely affected (damage, malfunction etc.).

- Do not use the product in an environment where corrosive gases or fluids could be splashed.

Otherwise damage to the product and malfunction can result.

- Do not use in an area where surges are generated.

If there is equipment generating large surge near the unit (magnetic type lifter, high frequency inductive furnace, welding machine, motor, etc.), this can cause deterioration of the internal circuitry element of the unit or result in damage. Take measures against the surge sources, and prevent the lines from coming into close contact.

- When a surge-generating load such as a relay, valve or lamp is driven directly, use a product with a built-in surge absorbing element.
Direct drive of a load generating surge voltage can damage the unit.
- The product is CE marked, but not immune to lightning strikes. Take measures against lightning strikes in the system.
- Prevent foreign matter such as dust or wire debris from getting inside the product.
- Mount the product in a place that is not exposed to vibration or impact.
Otherwise failure or malfunction can result.
- Do not use the product in an environment that is exposed to temperature cycle.
Heat cycles other than ordinary changes in temperature can adversely affect the inside of the product.
- Do not expose the product to direct sunlight.
If using in a location directly exposed to sunlight, shade the product from the sunlight.
Otherwise failure or malfunction can result.
- Keep within the specified ambient temperature range.
Otherwise malfunction can result.
- Do not operate close to a heat source, or in a location exposed to radiant heat.
Otherwise malfunction can result.

*Adjustment and Operation

- Set the switches by using a sharp-pointed screwdriver etc. When setting the switch, do not touch other unrelated parts.
This can cause parts damage or malfunction due to a short circuit.
- Perform settings suitable for the operating conditions.
Incorrect setting can cause operation failure.
(Refer to page 18 for the Setting and Adjustment.)
- Please refer to the PLC manufacturer's manual etc. for details of programming and addresses.
For the PLC protocol and programming refer to the relevant manufacturer's documentation.

*Maintenance

- Turn off the power supply, stop the supplied air, exhaust the residual pressure and verify the release of air before performing maintenance.
There is a risk of unexpected malfunction.
- Perform regular maintenance and inspections.
There is a risk of unexpected malfunction.
- After maintenance is complete, perform appropriate functional inspections.
Stop operation if the equipment does not function properly.
Otherwise safety is not assured due to an unexpected malfunction or incorrect operation.
- Do not use solvents such as benzene, thinner etc. to clean each unit.
They could damage the surface of the body and erase the markings on the body.
Use a soft cloth to remove stains.
For heavy stains, use a cloth soaked with diluted neutral detergent and fully squeezed, then wipe up the stains again with a dry cloth.

System Outline

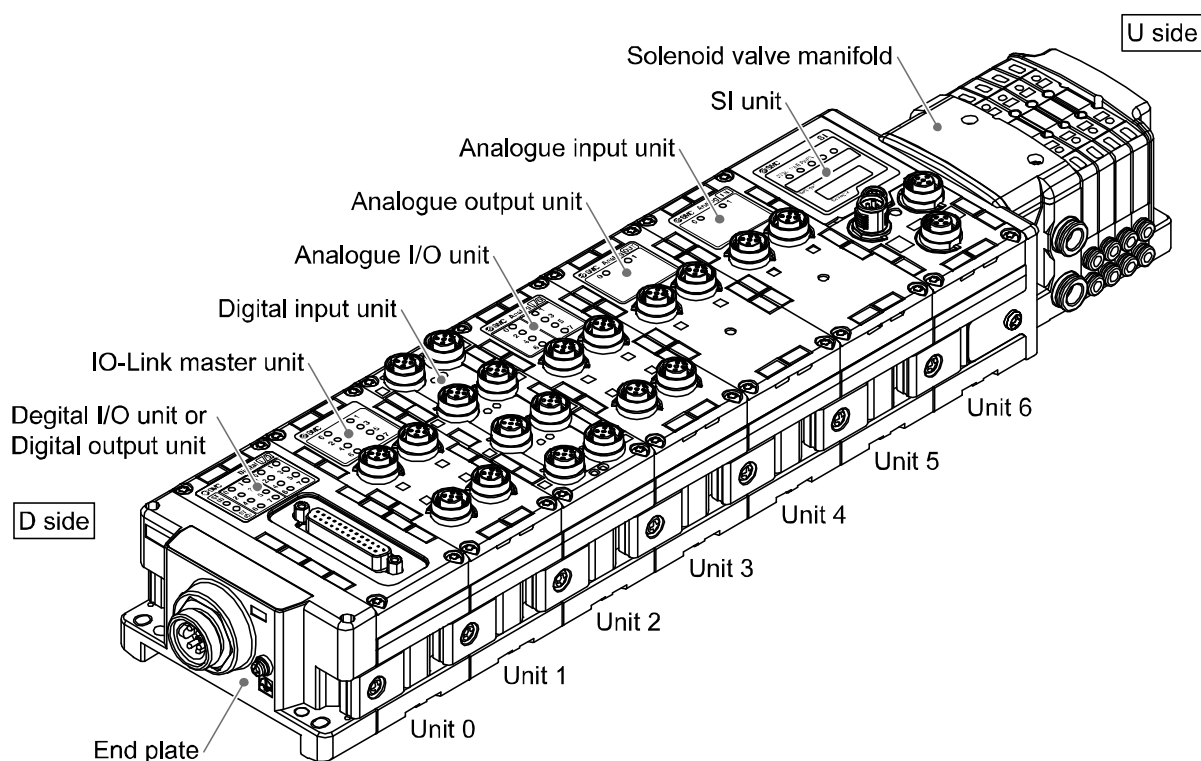
System configuration

The EX600 range of units can be connected to various types of fieldbus to realize the reduction of input or output device wiring and the distributed control system.

The unit communicates with the fieldbus through the SI unit.

One SI unit can be connected with manifold valves with up to 32 outputs and the input • output • I/O • IO-Link master units with maximum 10 units.

Maximum numbers of connected IO-Link master units is 4.



Name	Function
SI unit	Performs fieldbus communication and solenoid valve manifold ON/OFF output.
Digital input unit	For connecting sensors with switch output capability. PNP and NPN types are available.
Digital output unit	For connecting output device such as solenoid valves, lamps, buzzers, etc. PNP and NPN types are available.
Digital I/O unit	This unit has both digital input and output functions. PNP and NPN types are available.
Analogue input unit	For connecting sensors with analogue output capability.
Analogue output unit	This can be connected to the equipment which can read analogue input.
Analogue I/O unit	This unit has both analogue input and output functions.
IO-Link master unit	Compatible with IO-Link devices. There are two port types, class A and class B.
End plate	Connected at EX600 Manifold's D side, incorporating the power supply connection.
Solenoid valve manifold	An assembly of solenoid valves. One connector is used as the electric connection to all connected valves.

■ Definition and terminology

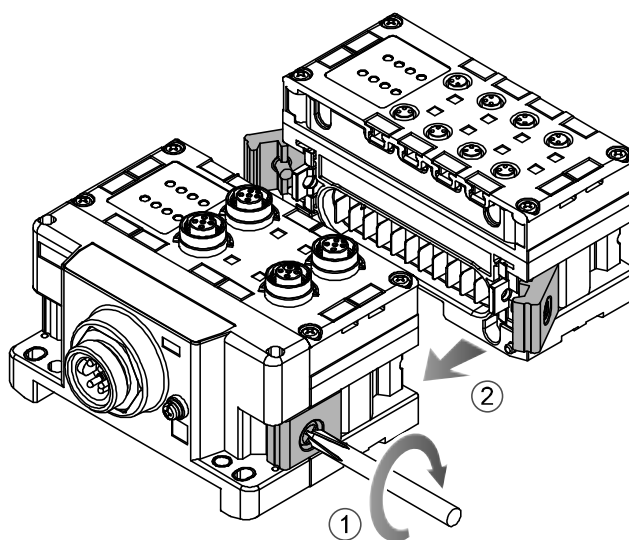
	Terminology	Definition
100	100BASE-TX	Standard of LAN transmission line with communication speed of 100 Mbps.
C	Current consumption	The current necessary to operate each unit.
D	DHCP	The protocol which automatically set the information such as IP address which needs to be registered in order to use the network. Those information are set to each equipment which are connected to TCP/IP network.
	DIN rail	A metal rail conforming with DIN (German) standard.
	DLR	An abbreviation for Device Level Ring: Performs a fast switching of the communication route when any problem occurs with the Ring network, to maintain communication.
	D Side	The side connected to the end plate when the product is connected to a manifold.
E	EDS	Settable attribute information of a device (each parameter's object address, etc.) stored on external disk.
	Enclosure (IP□□)	Abbreviation of international (ingress) protection. A standard related to the protection from external objects (hands, steel ball, steel wire, dust, water, etc.) applied to the product.
F	FE	Abbreviation of functional earth.
	Fieldbus	The protocol that uses digital communication to exchange signals between field equipment (instruments and actuators) running on site and a PLC.
	Full duplex	Communication system that can send and receive data at the same time bi-directionally.
H	Half duplex	Communication system that sends and receives data in one direction at a time.
I	Idle	Expression for PLC operation state. For details, Refer to manuals of each PLC maker. Depending on which PLC is used; the idle state might not be available.
	IP address	A 32 bit digit sequence which is assigned to identify devices which are connected to the network.
M	MAC address	A unique number inherent to all devices which are connected to EtherNet/IP™.
	Manifold	A form consisting of multiple components. A form made by combining multiple components.
N	NPN input	Takes the sensor output that uses the NPN transistor to the signal output line.
	NPN output	The output type that uses an NPN transistor to operate output device. It is also known as a positive common type since a positive potential is applied to the power supply line.
	Number of inputs	The number of points that can receive information from input device (sensor, switch, etc.).
	Number of outputs	The number of points that can operate output device (solenoid valve, light, motor, etc.).
O	Open circuit detection	A diagnosis function to detect if the input or output device wiring is disconnected.
P	PLC	Abbreviation of programmable logic controller. A digital computer used for automation of electromechanical processes.
	PNP input	Takes the sensor output that uses the PNP transistor to the signal output part.
	PNP output	The output type that uses a PNP transistor to operate output device. It is also known as a negative common type since a negative potential is applied to the power supply line.
Q	QuickConnect™	The function that reduces the time from the power being supplied to the equipment operating and communication starting.
S	Short circuit detection	A diagnosis function to detect an over current due to the short circuit of the output and/or power supply positive line with respect to the GND line.
	Short circuit protection	A function to protect the internal circuit from being broken by an over current due to the short circuit of the output and/or power supply positive line with respect to the GND line.
	SI unit	Abbreviation of serial interface unit. A unit connected to a PLC to communicate input and output data.
U	U Side	The side connected to the solenoid valve when the product is connected to a manifold.

Assembly

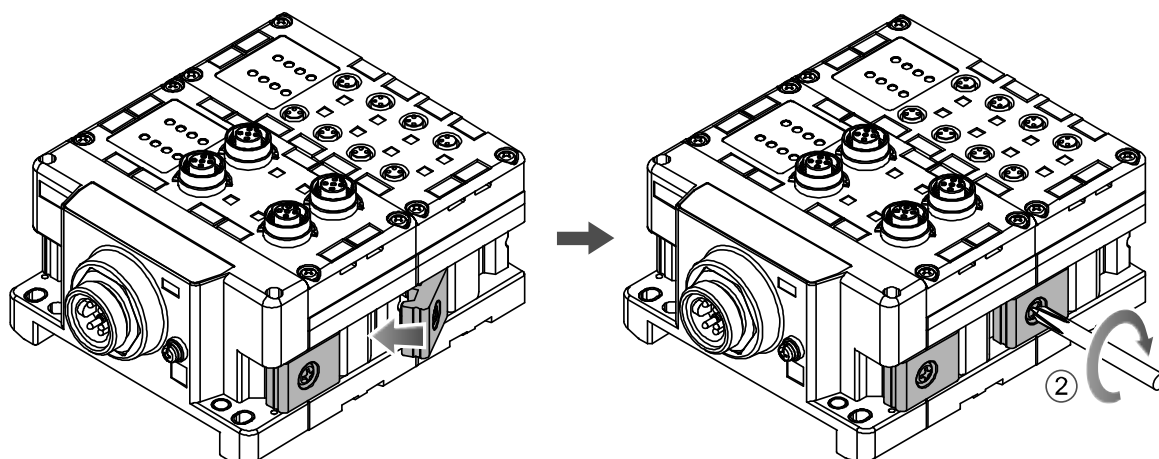
● Composing the unit as a manifold

*: If the unit was purchased as a manifold, the work described in this section is not necessary.

- (1) Connect the unit to the end plate.
The Digital unit, Analogue unit can be connected in any order.
(Tightening torque: 1.5 to 1.6Nm)



- (2) Add more units.
Up to 10 units (including the SI unit) can be connected to one manifold.



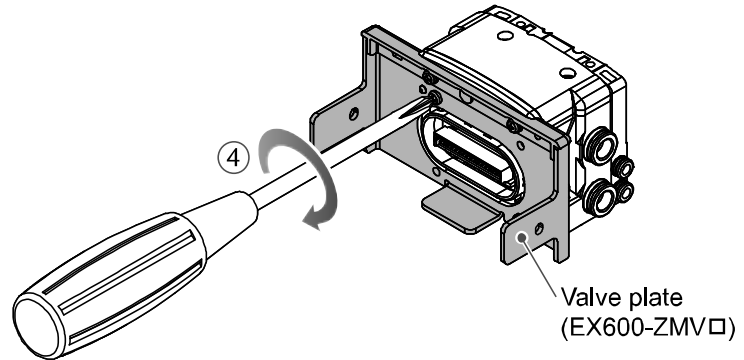
- (3) Connecting the SI unit.
After connecting the necessary units, connect the SI unit.
Connecting method is the same as above (1), (2).

(4) Mounting the valve plate.

Mount the valve plate (EX600-ZMV#) to the valve manifold using the valve set screws. (M3 x 8)
(Tightening torque: 0.6 to 0.7 Nm)

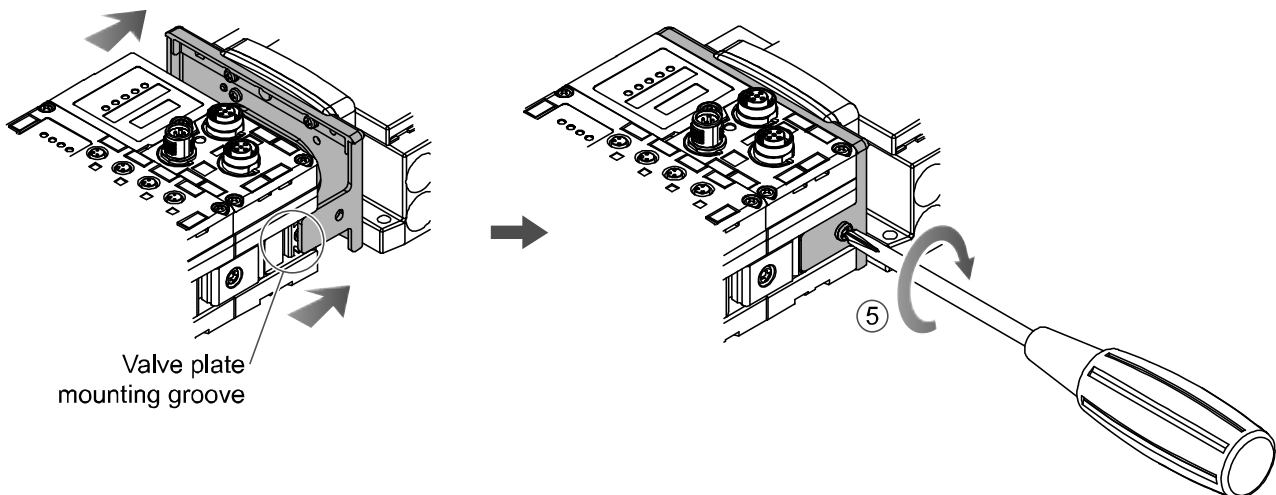
Screw mounting place

SV	: 2 places
S0700	: 2 places
VQC1000	: 2 places
VQC2000	: 3 places
VQC4000	: 4 places
SY	: 2 places
JSY	: 2 places



(5) Connect the SI unit and the valve manifold.

Insert the valve plate to the valve plate set groove on the side of SI unit.
Then, tighten it with the valve plate set screws (M4 x 6) to fix the plate.
(Tightening torque: 0.7 to 0.8 Nm)



● Precautions for handling

- Please do not connect the unit while the power supply is active. It will cause equipment damage.
- Take care not to drop the nuts of Joint bracket.
- Tighten the screws to the specified torque.
Insufficient tightening may lead to equipment malfunction, injury or equipment damage.

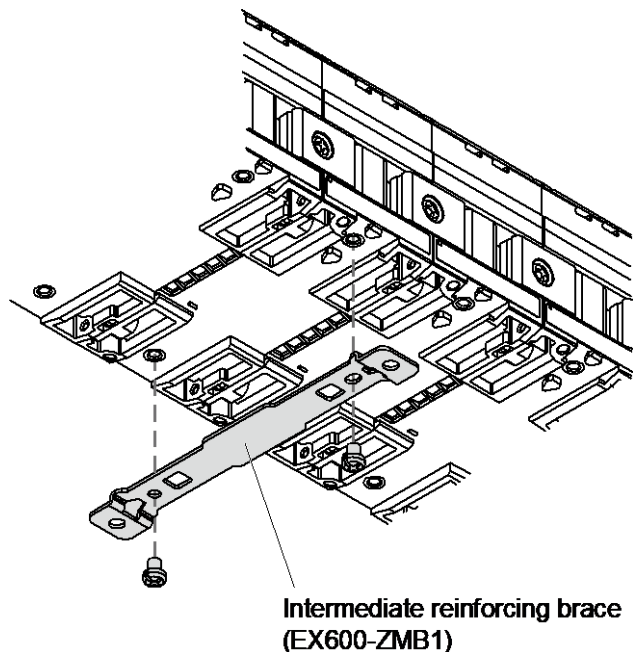
Mounting and Installation

■ Installation

• Direct mounting

(1) Direct mounting

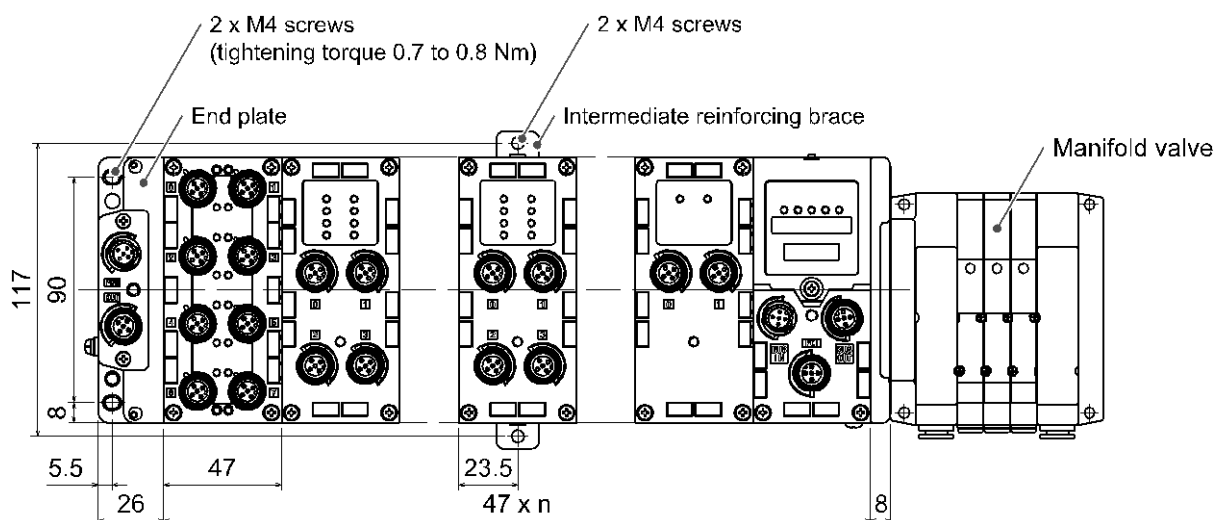
When joining six or more units, fix the middle part of the complete EX600 unit with an intermediate reinforcing brace (EX600-ZMB1) before mounting using 2-M4 x 5 screws.
(Tightening torque: 0.7 to 0.8 Nm)



(2) Fix and tighten the end plates at one end of the unit. (M4)

(Tightening torque: 0.7 to 0.8 Nm)

Fix the end plate at the valve side while referring to the operation manual of the corresponding valve manifold.



n (Number of connected Units) ≤ 10

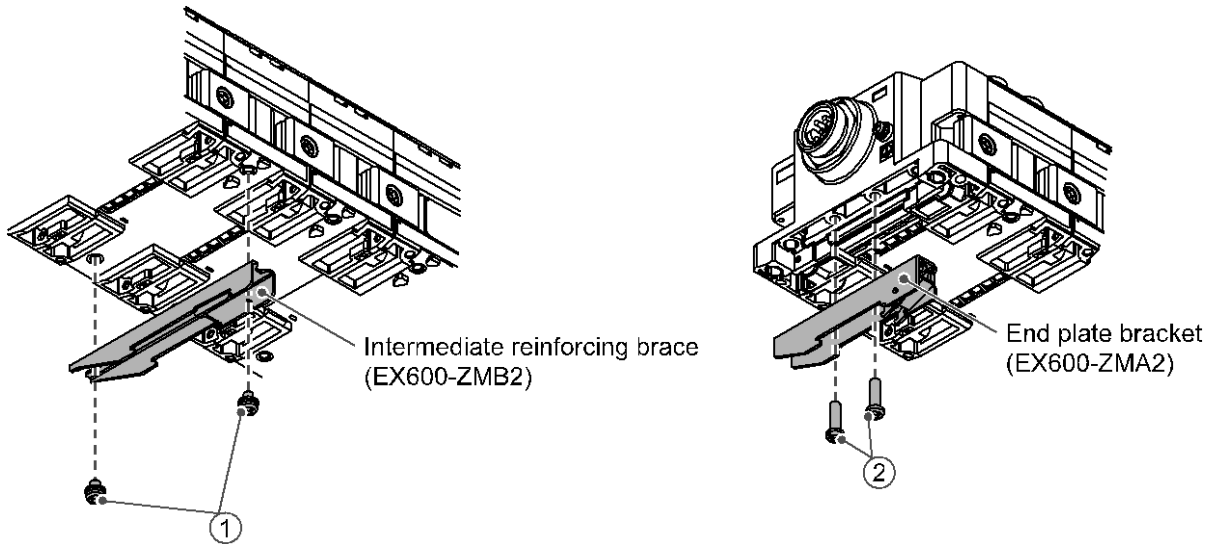
• Precautions for handling

- When joining six or more units, fix the middle part of the complete unit with an intermediate reinforcing brace to prevent incorrect connection between the units due to deflection.

•DIN rail mounting

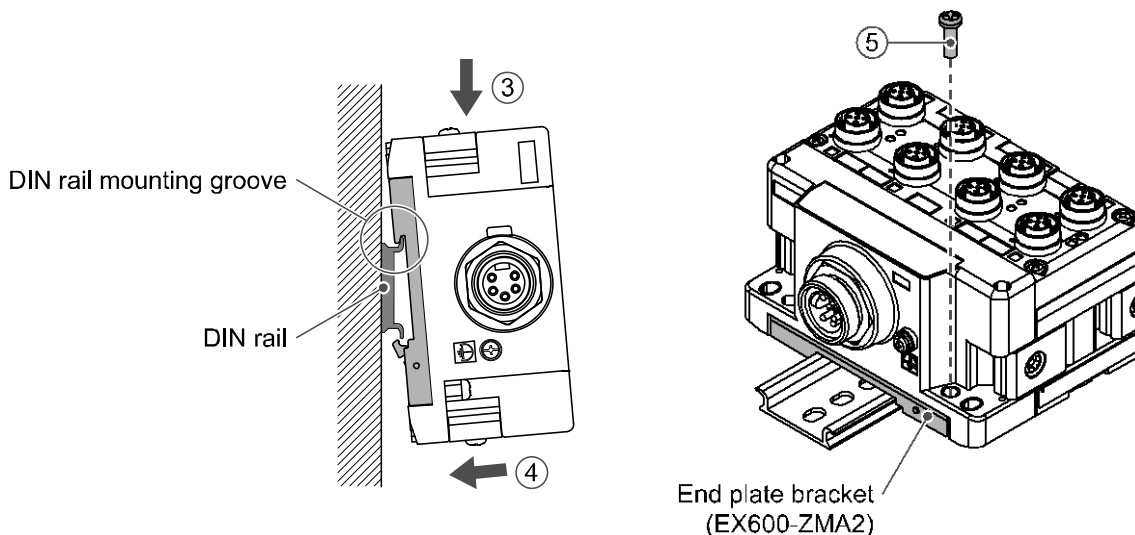
(Not available for SY series valves. Refer to the SY catalog.)

- (1) When joining six or more units, fix the middle part of the complete EX600 unit with an intermediate reinforcing brace (EX600-ZMB2) before mounting, using 2-M4 x 6 screws. (Tightening torque: 0.7 to 0.8 Nm)
- (2) Mount the end plate bracket (EX600-ZMA2) to the end plate at the opposite end to the valves, using 2-M4 x 14 screws. (Tightening torque: 0.7 to 0.8 Nm)



- (3) Hook the DIN rail mounting groove to the DIN rail.
- (4) Press the manifold using its side hooked to the DIN rail as a fulcrum until the manifold is locked.
- (5) Fix the manifold by tightening the DIN rail fixing screws of the EX600-ZMA2. (M4 x 20)
(Tightening torque: 0.7 to 0.8 Nm)

The tightening torque at the valve side depends on the valve type.
Refer to the operation manual of the corresponding valve manifold.



•Precautions for handling

- When joining six or more units, fix the middle part of the complete unit with an intermediate reinforcing brace to prevent incorrect connection between the units due to deflection.

■Wiring

•Connect the M12 or M8 connector cable

M12 connector is applicable for SPEEDCON connector. SPEEDCON connector wiring method is explained below.

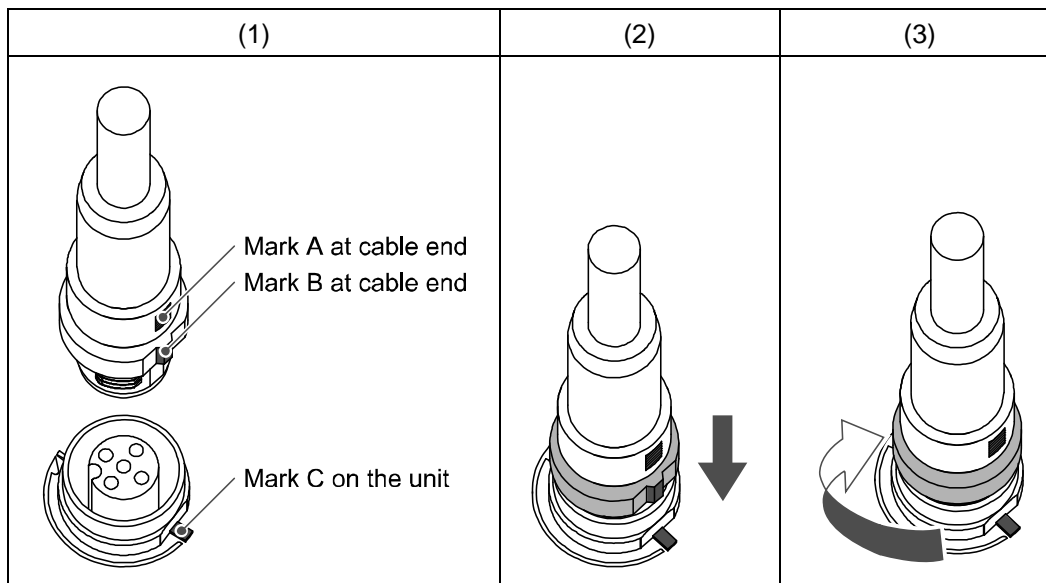
(1) Align the mark B on the metal bracket of the cable side connector (plug/socket) with the mark A.

(2) Align the mark C on the unit and insert the connector into the unit vertically.

If they are not aligned, the connector cannot be joined properly.

(3) When the mark B of the connector has been turned 180 degrees (1/2 turn), wiring is completed.

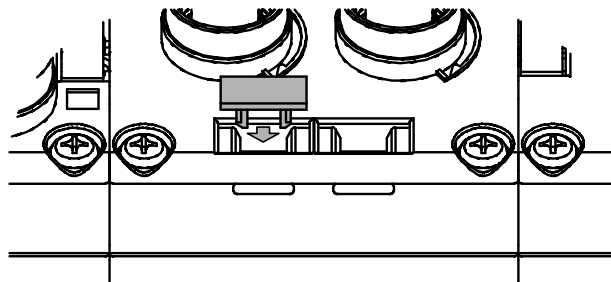
Confirm that the connection is not loose. If turned too far, it will become hard to remove the connector.



•Mounting the marker

Signal name of the input or output devices and unit address can be written to the marker, and it can be installed to each unit.

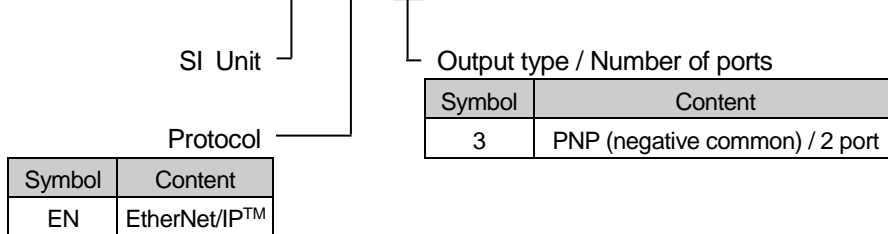
Mount the marker (EX600-ZT1) into the marker groove as required.



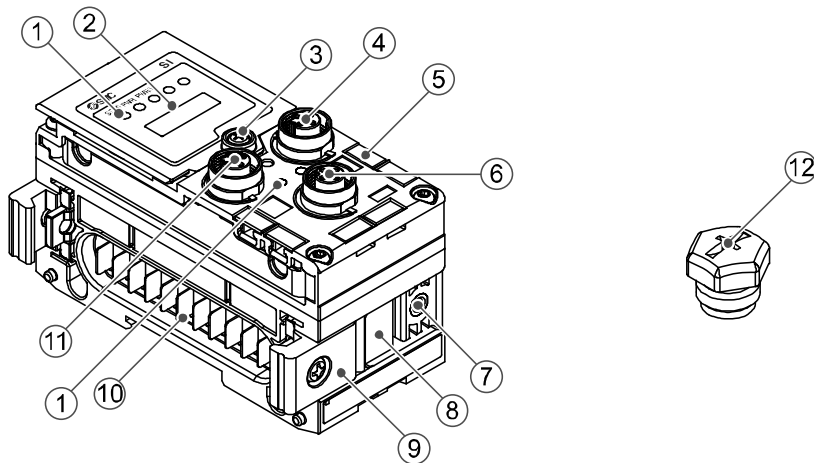
SI Unit

Model Indication and How to Order

EX600-S EN 3-X80



Summary of Product parts

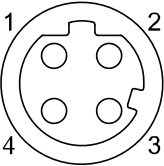


No.	Description	Function
1	Status display LED	Displays the status of the unit.
2	Display cover	Open at the switch configuration.
3	Display cover tightening screw	Loosen to open the display cover.
4	Connector (BUS OUT)	Connects the cable for fieldbus outputs. (M12, 5 pin, socket: SPEEDCON)
5	Marker groove	Groove to mount a marker.
6	Connector (PCI)	Connects the cable of the handheld terminal. (M12, 5 pin, socket: SPEEDCON)
7	Valve plate mounting screw hole	Fixes the valve plate.
8	Valve plate mounting groove	Groove to insert the valve plate into.
9	Joint bracket	Bracket for joining to adjacent units.
10	Unit connector (plug)	Transmits signals and power supplies to adjacent units.
11	Connector (BUS IN)	Connects the cable for fieldbus inputs. (M12, 5 pin, socket: SPEEDCON)
12	Seal cap (2 pcs.)	Mounted on to unused connectors (BUS OUT and PCI).

Mounting and Installation

■Wiring

○Connector pin assignment

Configuration	Pin No.	Signal name
 BUS IN/BUS OUT	1	TX+
	2	RX+
	3	TX-
	4	RX-

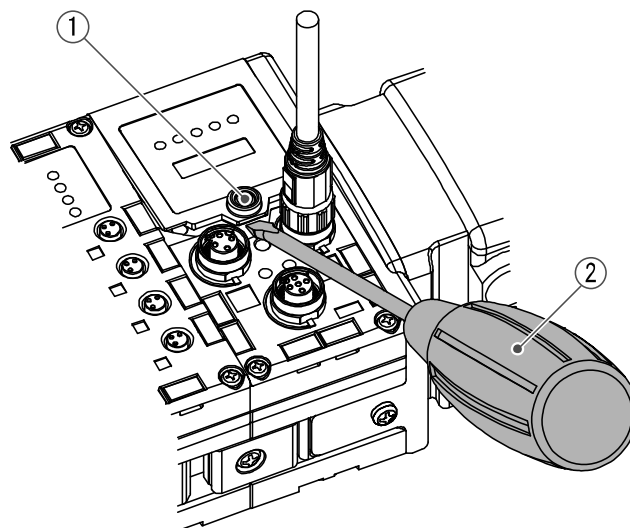
●Precautions for handling

Be sure to fit a seal cap on any unused connectors. Proper use of the seal cap enables the enclosure to achieve IP67 specification.

Setting and Adjustment

•Switch operation

- (1) Loosen the display cover screw (indicated by arrow).
- (2) Open the display cover using a flat head screwdriver, etc.

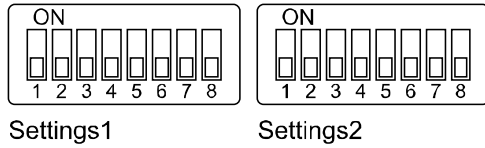


- (3) Set the switch using a small watchmaker's screwdriver with a thin blade, referring to the setting of switch on the following pages.
- (4) After setting the switch, tighten the display cover tightening screw in the reverse order of the above procedure. (Tightening torque: 0.3 to 0.4 Nm)

•Precautions for handling

- Turn off the power supply whilst setting the switch.
- If there is foreign matter or water droplets around the display cover, clean it off before opening the cover.
- When setting the switch, do not touch other unrelated parts. This can cause parts damage or malfunction due to a short circuit.
- All default settings are OFF. Perform the setting of the switch before using this product.
- When introducing power supply, switch setting will become effective.

•Switch setting



Settings1		Settings2	
1	Hold/Clear setting	1	<ul style="list-style-type: none"> •IP address byte 4 setting •DHCP mode setting
2	Diagnostics setting	2	
3	Reserved	3	
4		4	
5		5	
6		6	
7		7	
8	IP address byte 3 setting	8	

•Precautions for handling

- Handle the switch with care. Excessive force can break the switch.
- 3 to 7 of the Settings1 switch are not used. (Never turn it ON.)

•HOLD/CLEAR switch: Sets the output status when the fieldbus has a communication error or is in idling state.

Settings1	Content
1	
OFF	Output is OFF. (default setting)
ON	Holds the output.

*: This switch can be enabled and disabled by parameter.

•Switch for diagnosis: Allocates the diagnostic data to the input data.

Settings1	Mode	Content	Diagnostic size set for the input
2			
OFF	0	Input data only (default setting)	0 byte
ON	1	Input data + System diagnosis + Unit diagnosis	4 bytes

•IP address setting switch

Settings1	Settings2								IP address	Subnet mask
8	1	2	3	4	5	6	7	8		
OFF	ON	OFF	OFF	OFF	OFF	OFF	OFF	OFF	192.168.0.1	255.255.255.0
OFF	OFF	ON	OFF	OFF	OFF	OFF	OFF	OFF	192.168.0.2	
:	:	:	:	:	:	:	:	:	:	
OFF	ON	OFF	ON	ON	ON	ON	ON	ON	192.168.0.253	
OFF	OFF	ON	ON	ON	ON	ON	ON	ON	192.168.0.254	
ON	ON	OFF	OFF	OFF	OFF	OFF	OFF	OFF	192.168.1.1	255.255.255.0
ON	OFF	ON	OFF	OFF	OFF	OFF	OFF	OFF	192.168.1.2	
:	:	:	:	:	:	:	:	:	:	
ON	ON	OFF	ON	ON	ON	ON	ON	ON	192.168.1.253	
ON	OFF	ON	ON	ON	ON	ON	ON	ON	192.168.1.254	
ON/OFF	ON	ON	ON	ON	ON	ON	ON	ON	DHCP mode *1	
ON/OFF	OFF	OFF	OFF	OFF	OFF	OFF	OFF	OFF	Remote Control mode *2	

*1: The mode to obtain IP address from DHCP server. Obtained IP address etc. is lost when the power supply is cut.

*2: The mode to respond to the commands below of BOOTP/DHCP Server provided by Rockwell Automation.

Enable DHCP: IP address etc. can be obtained from BOOTP/DHCP Server.

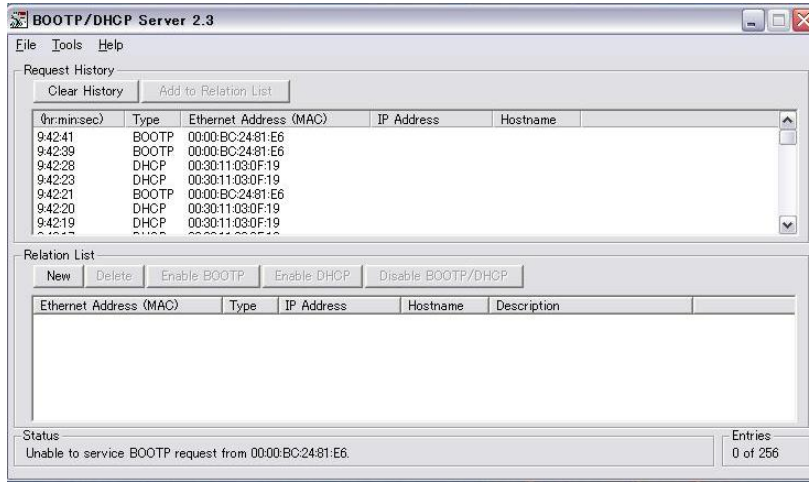
If the power is supplied again in this state, information including IP address is obtained again.

Disable DHCP: IP address etc. cannot be obtained from BOOTP/DHCP Server.

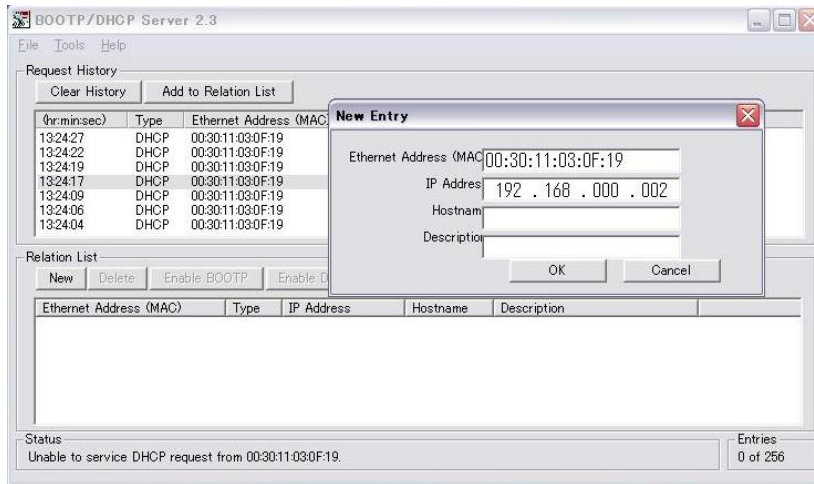
If the power is supplied again with this condition, previous setting can be held.

•Setting method of IP address by BOOTP/DHCP Server

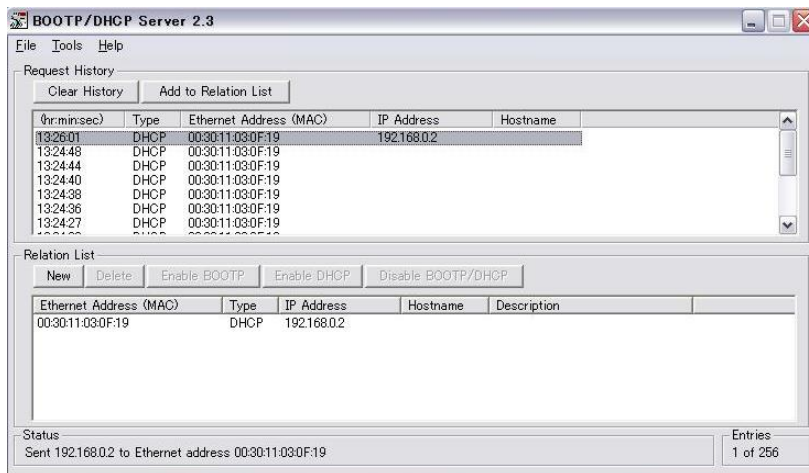
•When BOOTP/DHCP Server starts up, the Server scans the devices connected to the network.



•After selecting the MAC address of EX600, IP address is set.

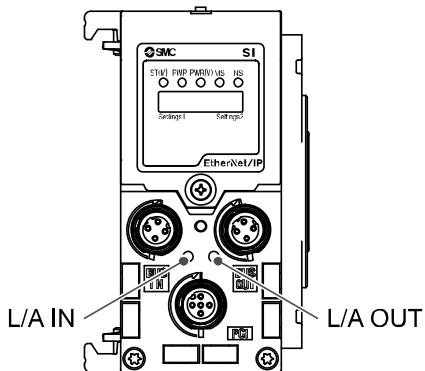


•IP address is set and added to the list.



LED Display







LED display shows the power supply and communication status.





Display	Content
ST(M)	Displays the diagnosis status of the unit.
PWR	Displays the status of the power supply voltage for control and input.
PWR(V)	Displays the status of the power supply voltage for output.
MS	Displays the module status.
NS	Displays the network status.

Display	Content
L/A IN	Displays the communication status of the BUS IN side.
L/A OUT	Displays the communication status of the BUS OUT side.




•ST(M)-LED

LED display	Content
 <p>ST(M) ○ OFF</p>	The power supply for control and input is OFF.
 <p>ST(M) ● Green ON</p>	Normal operation.
 <p>ST(M) ● (flashing) Green flashing</p>	Diagnostic error of I/O unit is detected.
 <p>ST(M) ● (flashing) Red flashing</p>	Either of the following diagnostic error is detected. (When diagnostic parameter is enabled) •Valve ON/OFF counter has exceeded the set value. •Valve is short circuited or disconnected.
 <p>ST(M) ● (flashing) Red/green flashing alternately</p>	Detect a communication error between SI unit and I/O unit.
 <p>ST(M) ● (solid) Red ON</p>	SI unit has failed.





•PWR-LED

LED display	Content
<p>PWR  Green ON</p>	The power supply voltage for control and input is properly.
<p>PWR  Red ON</p>	The power supply voltage for control and input is out of range. (When diagnostic parameter is enabled)






•PWR(V)-LED

LED display	Content
<p>PWR(V)  OFF</p>	The power supply voltage for output is OFF or out of range. (When diagnostic parameter is disabled)
<p>PWR(V)  Green ON</p>	The power supply for output is properly.
<p>PWR(V)  Red ON</p>	The power supply voltage for output is OFF or out of range. (When diagnostic parameter is enabled)



•MS-LED

LED display	Content
<p>MS  Green flashing</p>	Either of the following conditions are detected: •The unit has not been configured correctly. •The master is idle state.
<p>MS  Green ON</p>	The unit is in normal operation.
<p>MS  Red flashing</p>	Diagnostic error is detected.
<p>MS  Red ON</p>	The element in SI unit is broken.

•NS-LED

LED display	Content
NS  OFF	IP address is not set.
NS  Green flashing	EtherNet/IP™ communication is not established.
NS  Green ON	EtherNet/IP™ communication is established.
NS  Red flashing	EtherNet/IP™ communication is time-out.
NS  Red ON	IP address is duplicated.

•Communication status

	LED display	Content
L/A IN 	OFF	Bus IN side :No Link, No Activity
	Green ON	Bus IN side : Link, No Activity (100 Mbps)
	Green flashing	Bus IN side : Link, Activity (100 Mbps)
	Yellow ON	Bus IN side : Link, No Activity (10 Mbps)
	Yellow flashing	Bus IN side : Link, Activity (10 Mbps)
L/A OUT 	OFF	Bus OUT side :No Link, No Activity
	Green ON	Bus OUT side : Link, No Activity (100 Mbps)
	Green flashing	Bus OUT side : Link, Activity (100 Mbps)
	Yellow ON	Bus OUT side : Link, No Activity (10 Mbps)
	Yellow flashing	Bus OUT side : Link, Activity (10 Mbps)

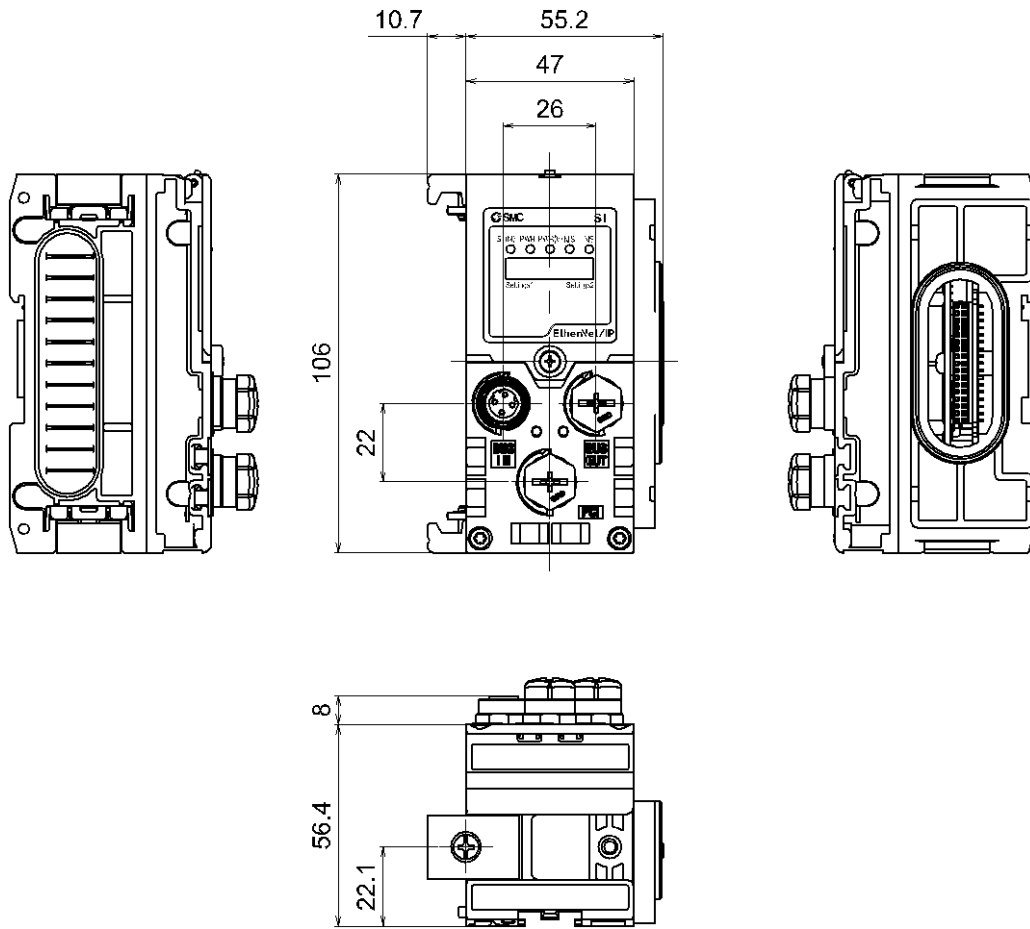
Specification

■ Specifications

Model		EX600-SEN3-X80
Communication	Protocol	EtherNet/IP™ (Conformance version: Composite 11)
	Transmission medium	Standard EtherNet cable (CAT5 or more, 100BASE-TX)
	Transmission speed	10 / 100 Mbps
	Transmission type	Full duplex / Half duplex
	IP address setting range	Setting by SI unit switch: 192.168.0 or 1.1 to 254
		Via DHCP server: Arbitrary address
	Device information	Vendor ID: 7 (SMC Corporation) Device type: 12 (Communication Adapter) Product code: 203
	Network topology	Star: Supported Linear Bus: Supported Ring (including DLR): Supported
	EtherNet/IP QuickConnect™	Supported
Web server	Supported	
Current consumption (Power supply for control and inputs)		120 mA or less
Valve output	Output type	Source / PNP (negative common)
	Number of solenoid valves	32 outputs
	Applicable valve series	Solenoid valve with surge voltage suppressor of 24 VDC and 1.0 W or less (manufactured by SMC)
	Output setting during communication fault	HOLD / CLEAR / Force ON
	Protection	Short circuit protection
Environment	Enclosure	IP67 (manifold assembly) *1
	Operating temperature range	-10 to 50 °C
	Storage temperature range	-20 to 60 °C
	Operating humidity range	35 to 85% RH (no dew condition)
	Withstand voltage	500 VAC for 1 minute between external terminals and FE
	Insulation resistance	500 VDC, 10 MΩ or more between external terminals and FE
	Vibration resistance	10 to 57 Hz: constant amplitude 0.75 mm p-p 57 to 150 Hz: constant acceleration 49 m/s ² for 2 hours in each direction X, Y and Z respectively (De-energized)
Impact resistance	147 m/s ² 3 times in each directions of X, Y and Z respectively (De-energized)	
Standard		CE marked (EMC directive / RoHS directive), UL (CSA)
Weight		300 g

*1: All unused connectors must have a seal cap fitted.

■Dimensions



End plate

Model Indication and How to Order

EX600-ED □ - □

End plate at D side

Mounting method

Connector

Symbol	Connector	Key type	Function
2	M12 (5 pin)	B code	IN
3	7/8 inch (5 pin)	-	IN
4	M12 (4 pin/5 pin)	A code	IN/OUT (PIN layout 1*)
5	M12 (4 pin/5 pin)	A code	IN/OUT (PIN layout 2)

Symbol	Description
Nil	No DIN rail bracket
2	With DIN rail bracket (VQC/SV/S0700 valve)
3	With DIN rail bracket (SY/JSY valve)

*: Refer to Connector Pin No. (page 30) for details of the PIN layout 1 and 2.

EX600-EU1 - □

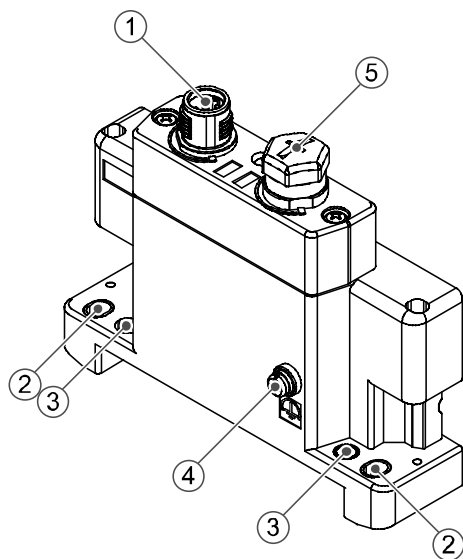
End plate at U side

Mounting method

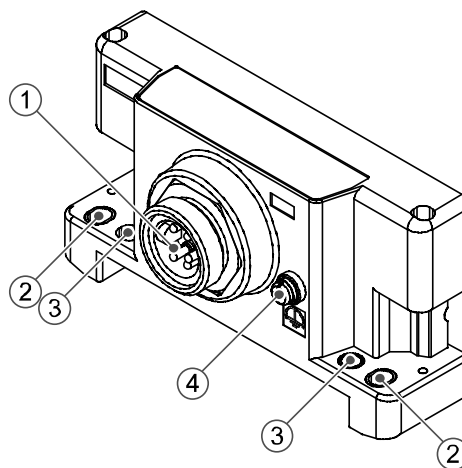
Symbol	Description
Nil	No DIN rail bracket
2	With DIN rail bracket (EX600-ED#-2)
3	With DIN rail bracket (EX600-ED#-3)

Summary of Product parts

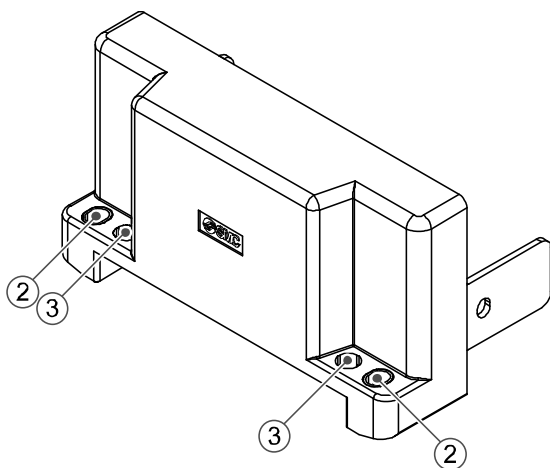
•EX600-ED2-□



•EX600-ED3-□



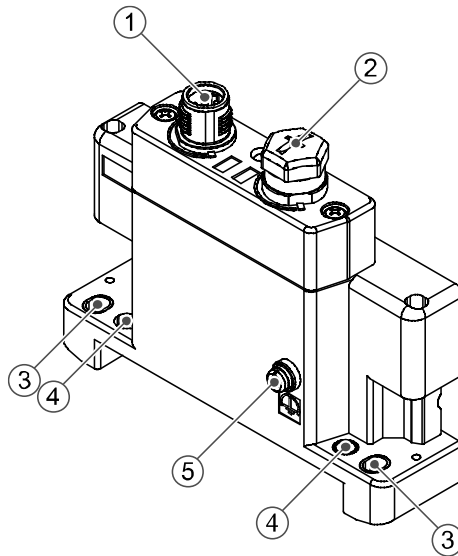
•EX600-EU1-□



No.	Description	Function
1	Power connector	Connector for power supply to SI unit and I/O unit.
2	Fixing hole for direct mounting	Holes for direct mounting.
3	DIN rail fixing hole	Holes for fix DIN rail mounting.
4	F.E. terminal *	Functional Earth terminal - must be connected directly to system earth (ground).
5	Connector (Not used)	Unused connector. Do not remove seal cap.

*: Individual grounding should be provided close to the product with a short cable.

•EX600-ED4/ED5-□



No.	Description	Function
1	Power connector (PWR IN)	Supplies power for each unit and input/output devices.
2	Power connector (PWR OUT)	Provides power to downstream equipment.
3	Fixing hole for direct mounting	Holes used for direct mounting.
4	DIN rail fixing hole	Holes used for fix DIN rail.
5	F.E. terminal *	Functional Earth terminal - must be connected directly to system earth (ground).

*: Individual grounding should be provided close to the product with a short cable.

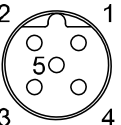
Mounting and Installation

■Wiring

○Connector pin assignment

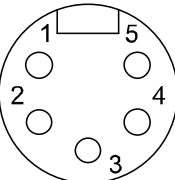
(1) EX600-ED2-□

PWR IN: M12 5-pin Plug B code

Configuration	Pin No.	Signal name
	1	24 V (Output)
	2	0 V (Output)
	3	24 V (Control and input)
	4	0 V (Control and input)
	5	F.E.

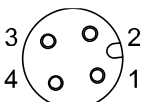
(2) EX600-ED3-□

PWR IN: 7/8 inch 5-pin Plug


Configuration	Pin No.	Signal name
	1	0 V (Output)
	2	0 V (Control and input)
	3	F.E.
	4	24 V (Control and input)
	5	24 V (Output)

(3) EX600-ED4-□

PWR IN: M12 4-pin Plug A code

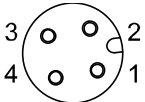
Configuration	Pin No.	Signal name
	1	24 V (Control and input)
	2	24 V (Output)
	3	0 V (Control and input)
	4	0 V (Output)

PWR OUT: M12 5-pin Socket A code


Configuration	Pin No.	Signal name
	1	24 V (Control and input)
	2	24 V (Output)
	3	0 V (Control and input)
	4	0 V (Output)
	5	Not used

(4) EX600-ED5-□

PWR IN: M12 4-pin Plug A code

Configuration	Pin No.	Signal name
	1	24 V (Output)
	2	0 V (Output)
	3	24 V (Control and input)
	4	0 V (Control and input)

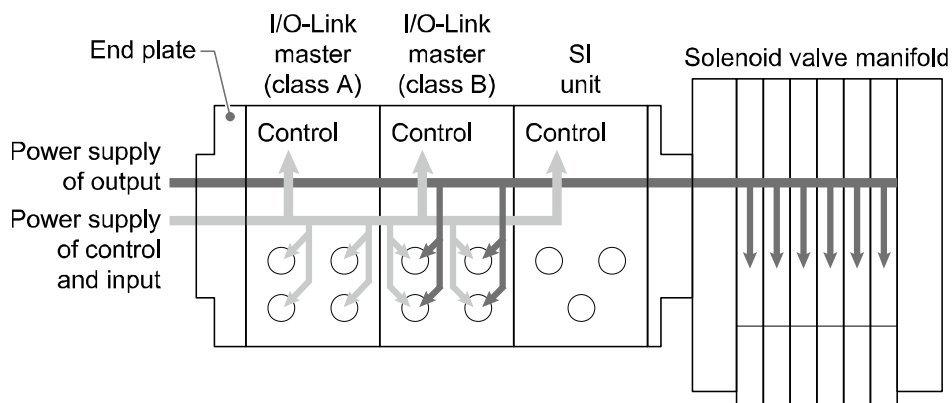
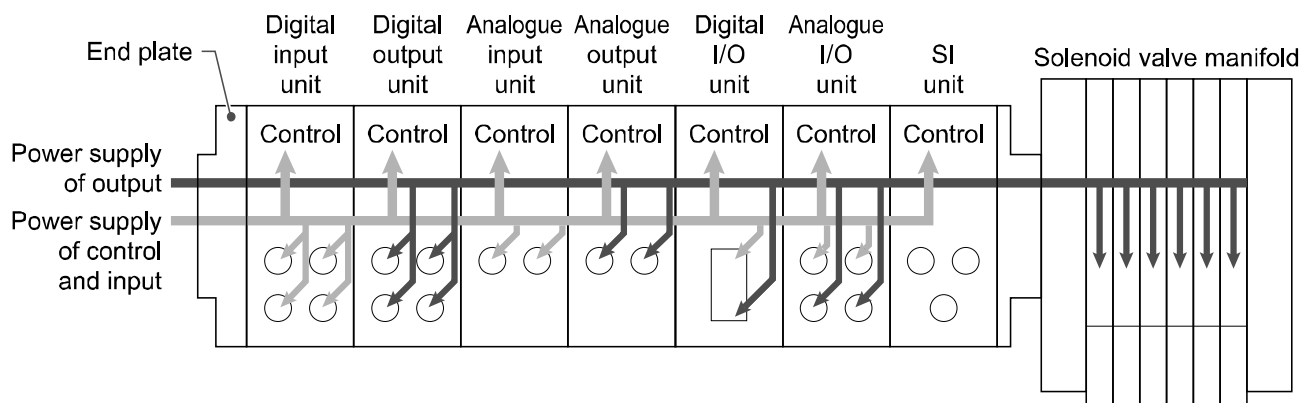
PWR OUT: M12 5-pin Socket A code

Configuration	Pin No.	Signal name
	1	24 V (Output)
	2	0 V (Output)
	3	24 V (Control and input)
	4	0 V (Control and input)
	5	Not used

○Regarding the 2 types of power supply

The power supply consists of two power supply systems as follows:

- Power supply for control and input: Supplying power for control of each unit's power supply for control and also for device connected to input port of Digital and Analogue unit.
- Power supply for output: Supplying power for equipment connected to output port of Digital and Analogue unit, and also power supply for solenoid valve manifold.



●Precautions for handling

Be sure to fit a seal cap on any unused connectors. Proper use of the seal cap enables the enclosure to achieve IP67 specification.

Specification

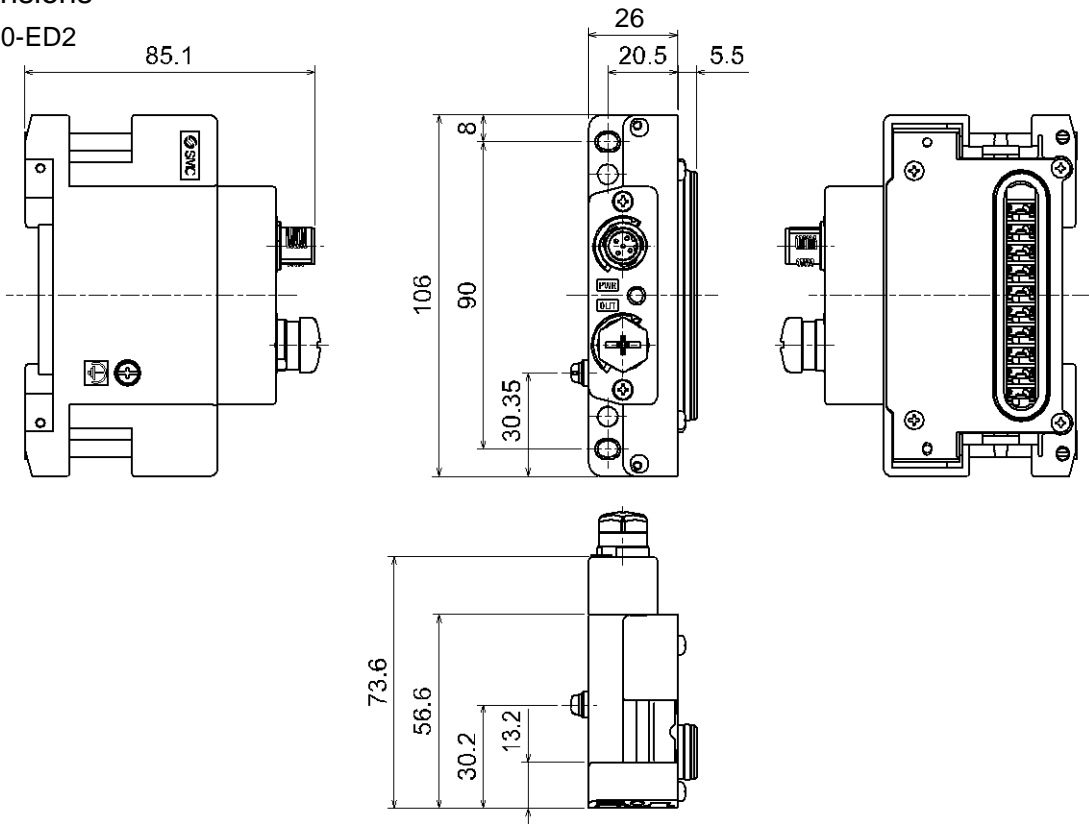
■ Specifications

Model		EX600-ED2-□	EX600-ED3-□	EX600-ED4-□	EX600-ED5-□	
Power	Power connector	PWR IN	M12 (5 pin) Plug	7/8 inch (5 pin) Plug	M12 (4-pin) Plug	M12 (4-pin) Plug
		PWR OUT	-	-	M12 (5-pin) Socket	M12 (5-pin) Socket
	Power supply (Control and input)		24 VDC ±10%, 2 A	24 VDC ±10%, 8 A	DC24 V ±10%, 4 A	
	Power supply (Output)		24 VDC +10/-5%, 2 A	24 VDC +10/-5%, 8 A	DC24 V +10/-5%, 4 A	
Environment	Enclosure		IP67 (With manifold assembled) *1			
	Operating temperature range		-10 to 50 °C			
	Storage temperature range		-20 to 60 °C			
	Operating humidity range		35 to 85%R.H. (No condensation)			
	Withstand voltage		500 VAC for 1 minute between external terminals and F.E.			
	Insulation resistance		500 VDC, 10 MΩ min. between external terminals and F.E.			
Standard		CE marked (EMC directive / RoHS directive), UL (CSA)		CE marked (EMC directive / RoHS directive)		
Weight		170 g	175 g	170 g		

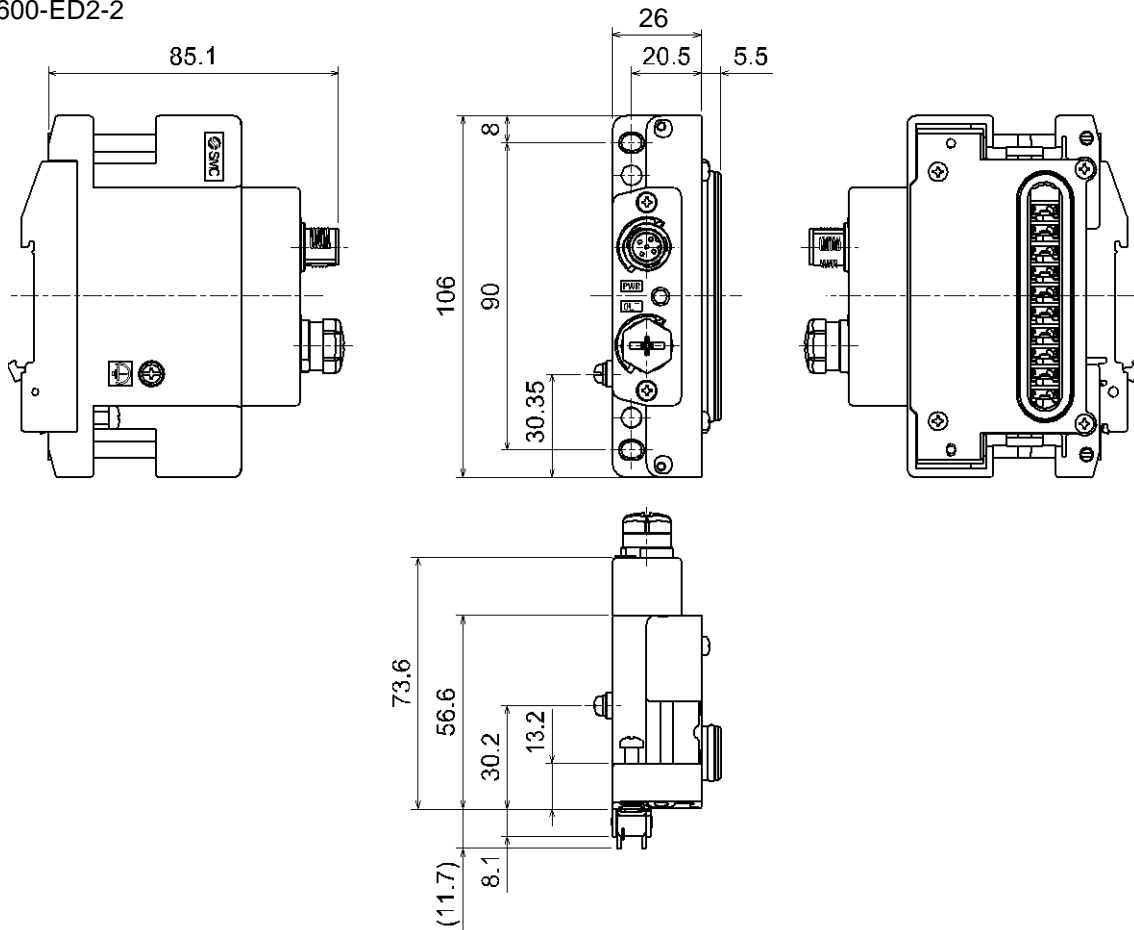
*1: All unused connectors must have a seal cap fitted.

■Dimensions

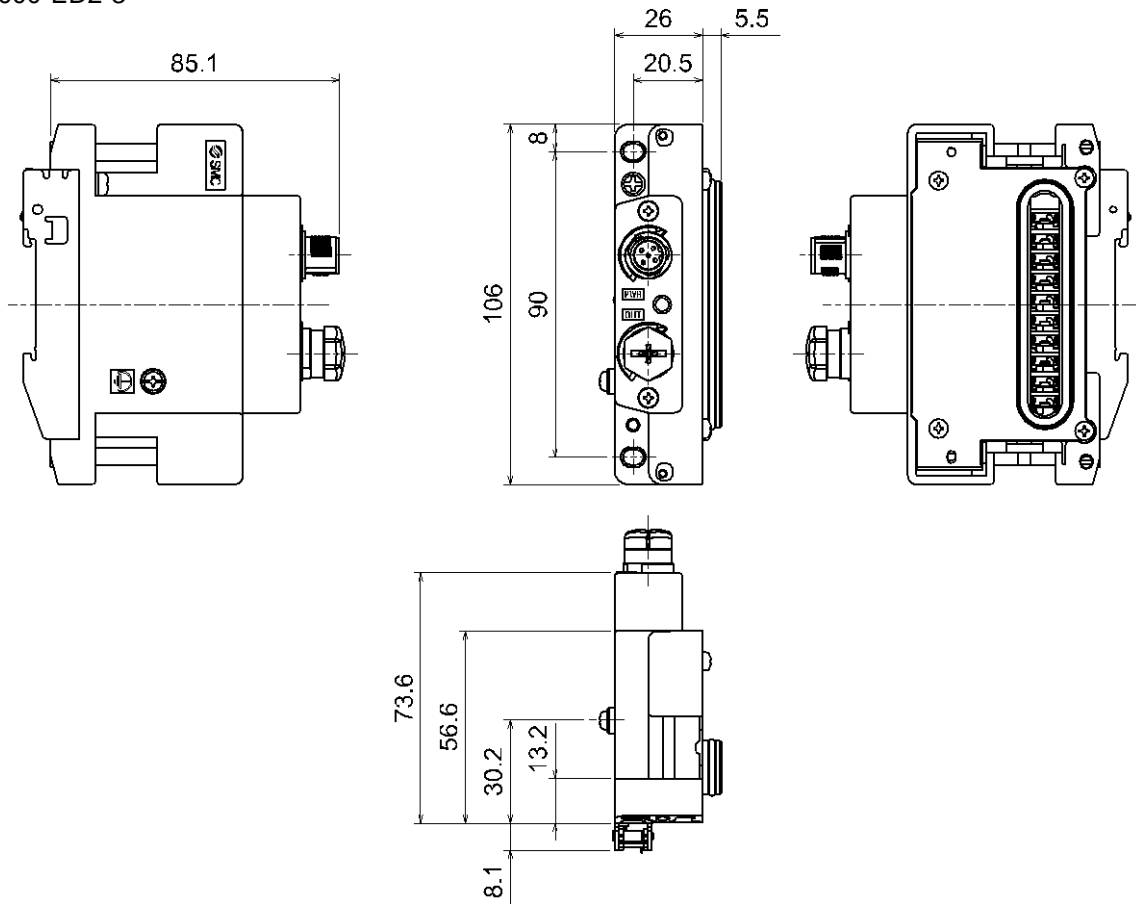
•EX600-ED2



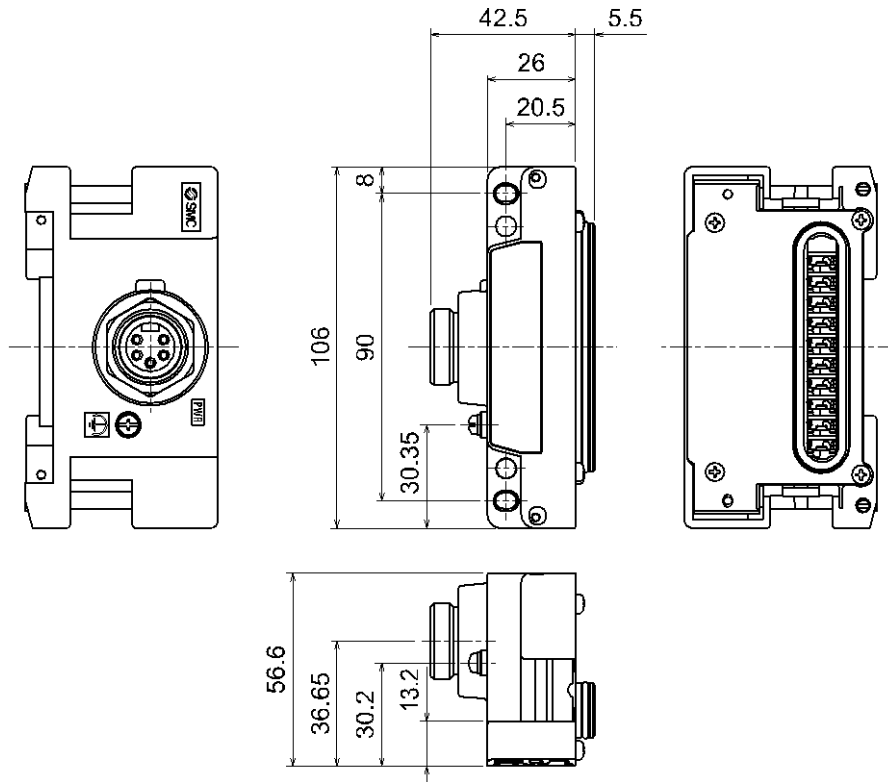
•EX600-ED2-2



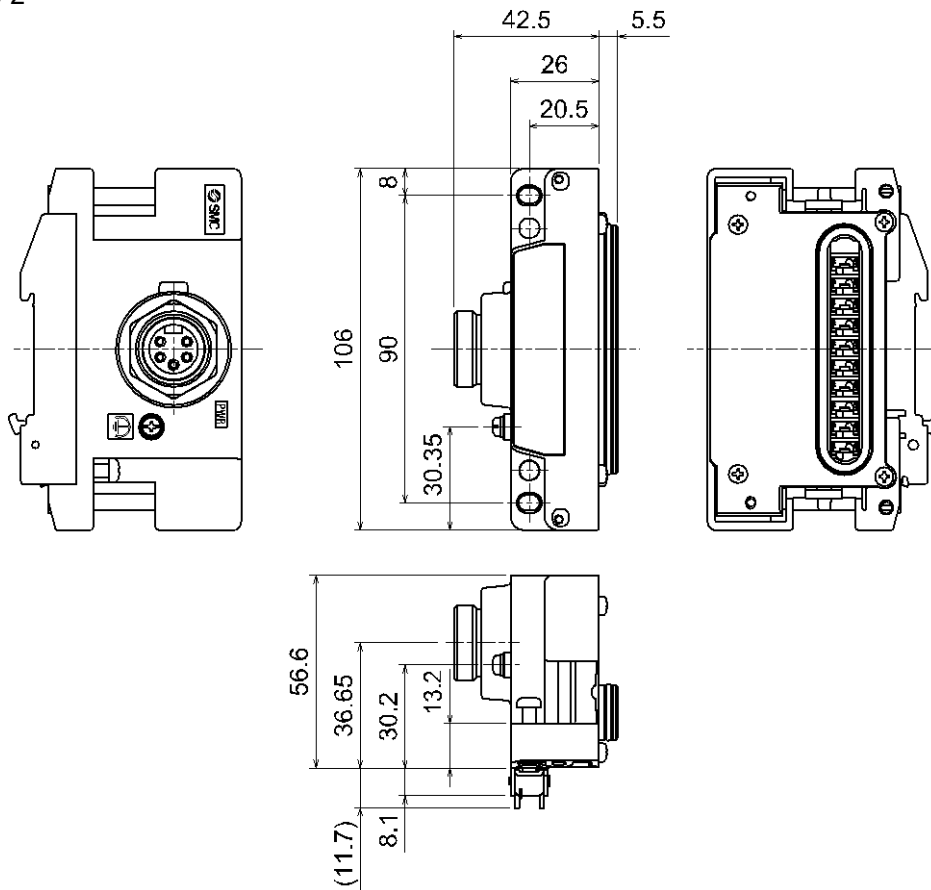
•EX600-ED2-3



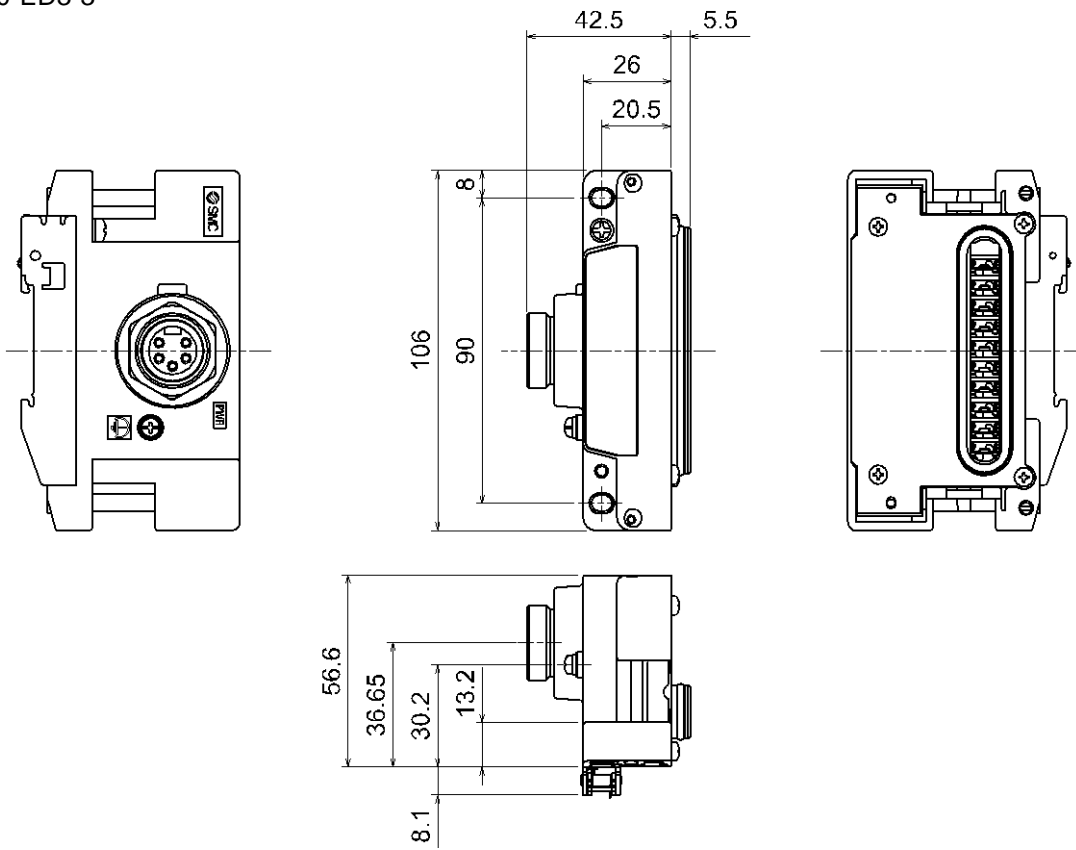
•EX600-ED3



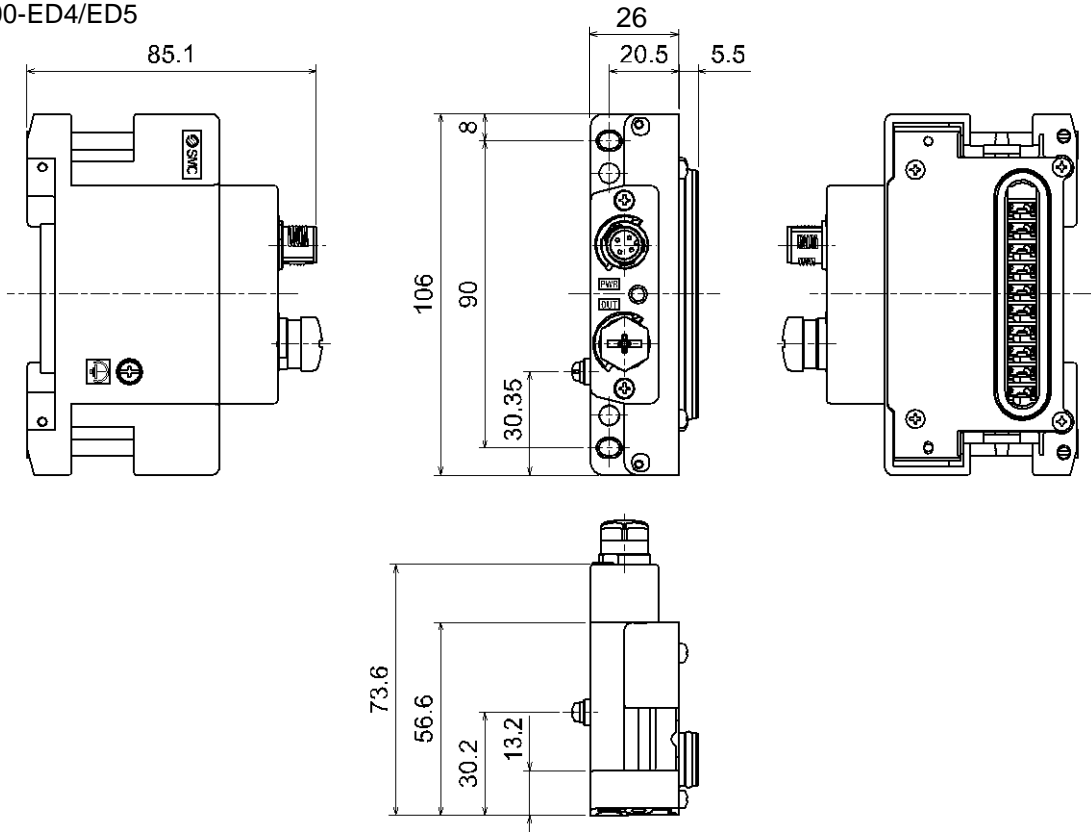
•EX600-ED3-2



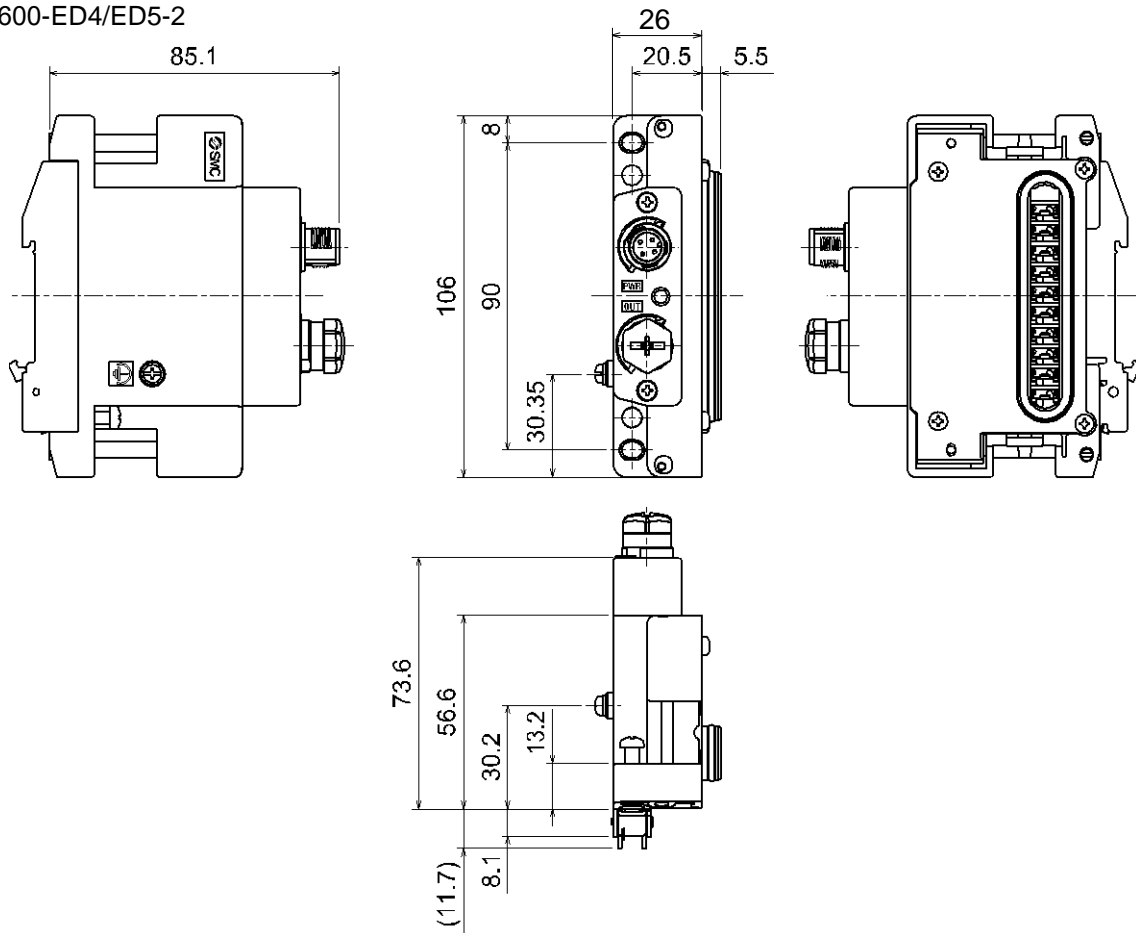
•EX600-ED3-3



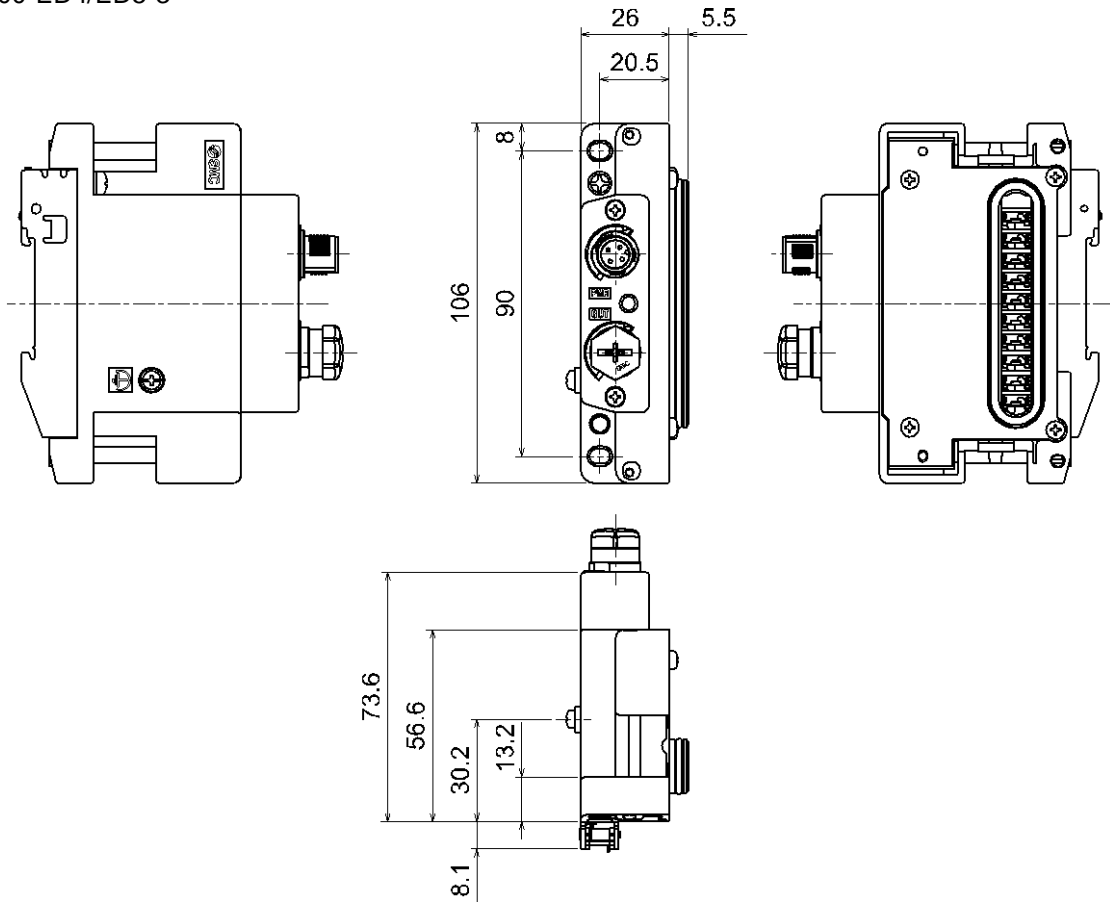
•EX600-ED4/ED5



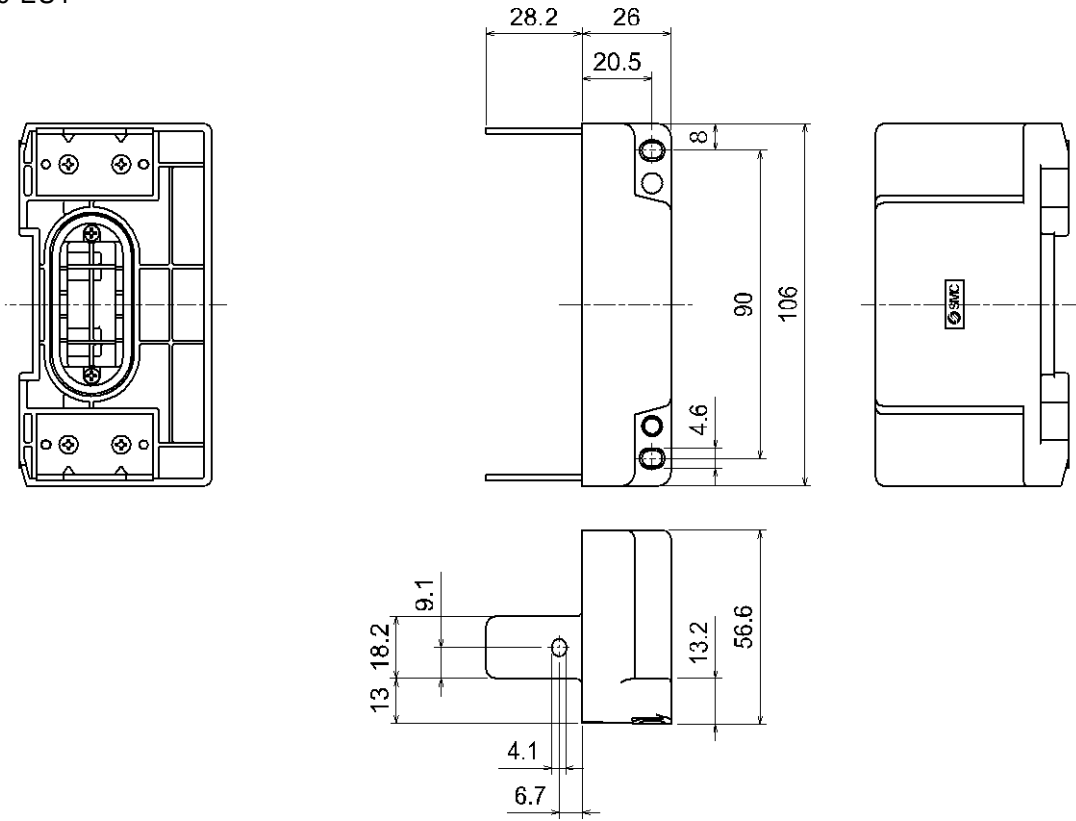
•EX600-ED4/ED5-2



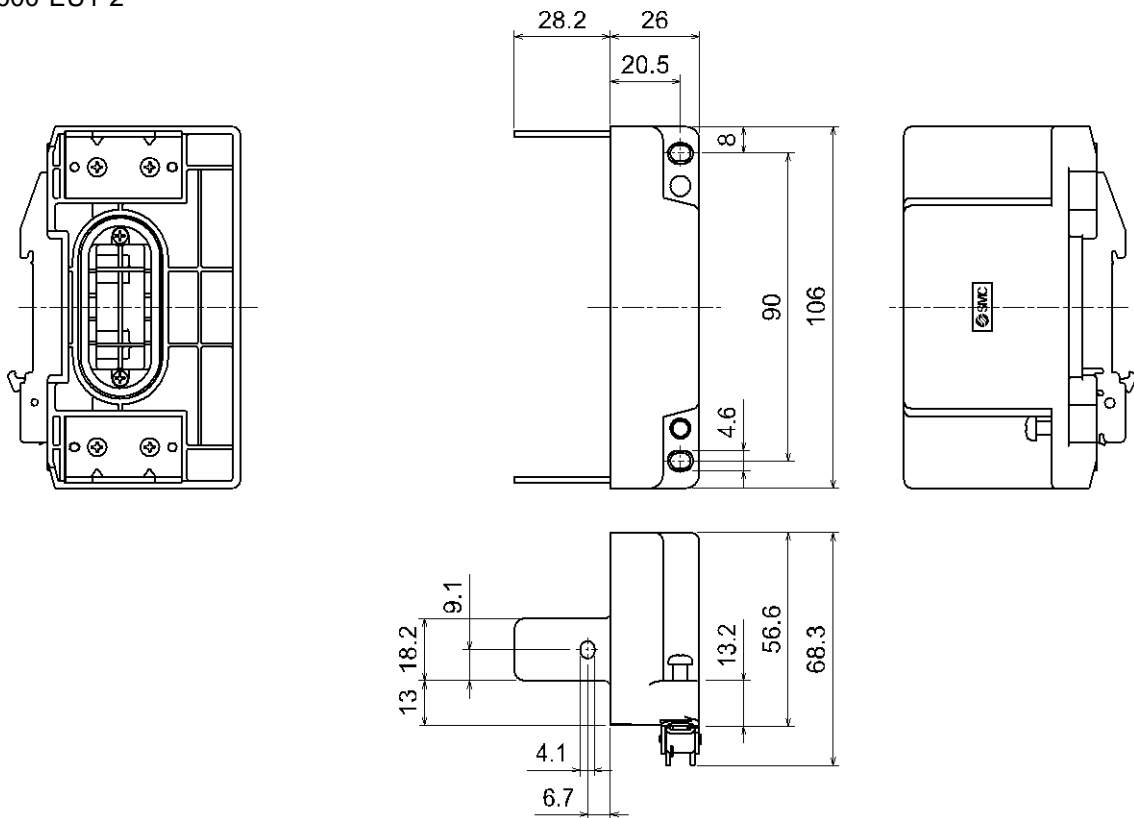
•EX600-ED4/ED5-3



•EX600-EU1

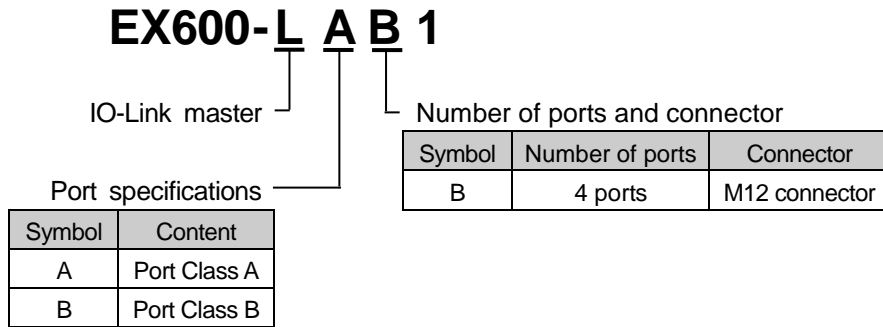


•EX600-EU1-2



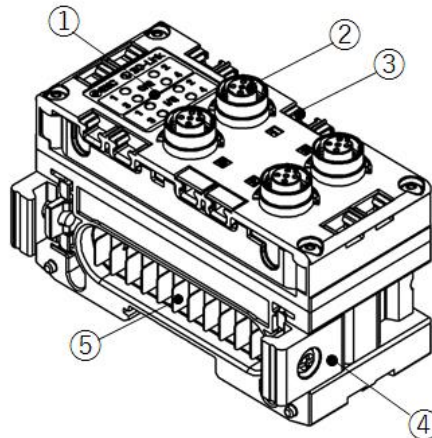
IO-Link Master Unit

Model Indication and How to Order



Summary of Product parts

•EX600-L#B1



No.	Description	Function
1	Status LED's	LED display to indicate the unit status.
2	Connector	For connecting IO-Link devices.
3	Marker groove	Groove to mount a marker.
4	Joint bracket	For connecting to other units.
5	SI unit connector (plug)	Transfers signals and supplies power to the next unit.

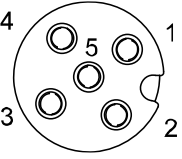
Mounting and Installation

■Wiring

○Connector pin assignment

(1) EX600-LAB1

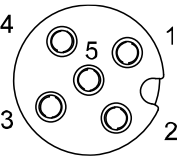
M12 5-pin Socket

Configuration	Pin No.	Signal name	Details
	1	L+	24 V (Control and input)
	2	I/Q	Digital input (PNP)
	3	L-	0 V (Control and input)
	4	C/Q	IO-Link communication, Digital input (PNP) or Digital output (PNP) *1
	5	N.C.	Not used

*1: Can be changed with parameters. Digital output power supply is used for control / input.

(2) EX600-LBB1

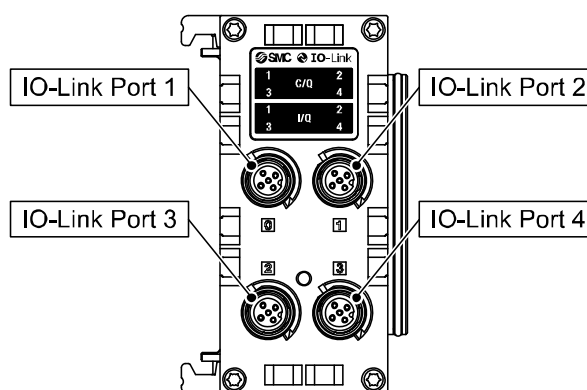
M12 5-pin Socket

Configuration	Pin No.	Signal name	Details
	1	L+	24 V (Control and input)
	2	P24	24 V (Output)
	3	L-	0 V (Control and input)
	4	C/Q	IO-Link communication, Digital input (PNP) or Digital output (PNP) *1
	5	N24	0 V (Output)

*1: Can be changed with parameters. Digital output power supply is used for control / input.

The relationship between connector No. and IO-Link port is shown below.

Connector No.	IO-Link port No.
0	1
1	2
2	3
3	4



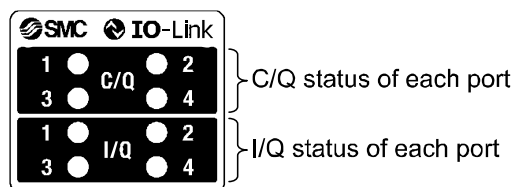
●Precautions for handling

Be sure to fit a seal cap on any unused connectors. Proper use of the seal cap enables the enclosure to achieve IP67 specification.

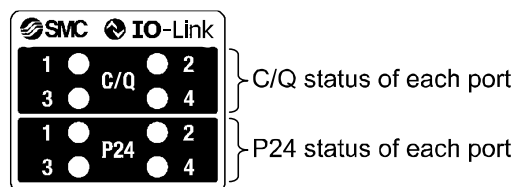
LED display

The LED displays the status of Pin No.4 (C/Q) and Pin No.2 (I/Q or P24) of each IO-Link port of the SI unit. The figures below show the status of each port.

•EX600-LAB1



•EX600-LBB1



Common for IO-Link port No. 1, 2, 3 and 4 (C/Q: Pin No.4) of EX600-LAB1 and EX600-LBB1



The LED status varies depending on the setting of Pin No.4 (disabled, IO-Link communication, digital I/O) of ports No. 1 to 4.

Pin function	LED status	Details
Deactivated (Port disabled)	○ OFF	Port disabled
	● Red ON	Short circuit detection (L+)
IO-Link (IO-Link communication)	⊙ Green flashing (ON/OFF: 1 Hz)	IO-Link device disconnected
	⊙ Green flashing (ON/OFF: 2 Hz)	Connected device matching error Device process data mapping error
	● Green ON	IO-Link device communicating
	● Red ON	Short circuit detection (L+ or C/Q)
DI (Digital input)	○ OFF	Input signal OFF
	● Orange ON	Input signal ON
	● Red ON	Short circuit detection (L+)
DO (Digital output)	○ OFF	Output signal OFF
	● Orange ON	Output signal ON
	● Red ON	Short circuit detection (L+ or C/Q)

*: For details and countermeasures, refer to troubleshooting.

LED 1, 2, 3, 4 (I/Q: Pin No. 2) for EX600-LAB1




The LED displays the status of Pin No.2 (Digital input) of each IO-Link port of the SI unit.

Pin function	LED status	Details
DI (Digital input)	 OFF	Input signal OFF
	 Orange ON	Input signal ON

*: For details and countermeasures, refer to troubleshooting.


LED 1, 2, 3, 4 (P24: Pin No. 2) for EX600-LBB1

The LED displays the status of Pin No.2 (Power supply for output) of each IO-Link port of the SI unit.

Pin function	LED status	Details
P24 (Power supply for output)	 OFF	Power supply for output OFF
	 Green ON	Power supply for output ON
	 Red ON	Short circuit detection (P24)

*: For details and countermeasures, refer to troubleshooting.

All LEDs Common for EX600-LAB1 and EX600-LBB1

Pin function	LED status	Details
Condition of all pins	 Red/green flashing alternately	Internal memory error

*: For details and countermeasures, refer to the troubleshooting section.

Specification

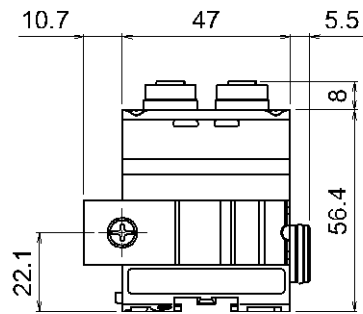
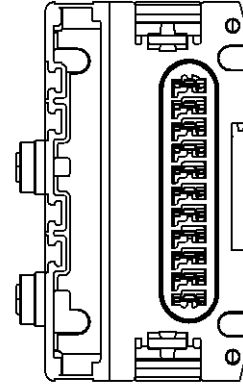
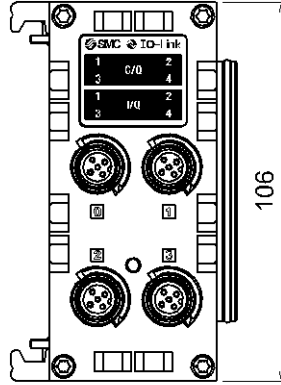
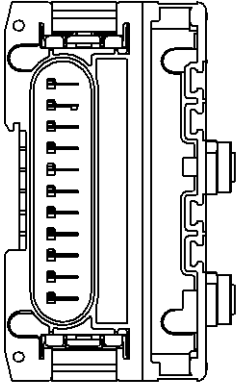
■ Specifications

Model		EX600-LAB1		EX600-LBB1
Port class		Class A		Class B
Transmission speed		COM1 (4.8 kbps) COM2 (38.4 kbps) COM3 (230.4 kbps) Automatically switches depending on the device connected		
IO-Link version		Version 1.1		
Number of ports		4		
Power supply for control and inputs Max. supply current (between L+ and L-)		0.5 A / connector (2 A / unit)		0.5 A / connector (1 A / unit)
Power supply for output Max. supply current (between P24 and N24)		-		1.6 A / connector 3 A / unit
Digital input	Pin No.	2	4	4
	Input polarity	PNP		
	Protection	Short circuit protection		
	ON input current	Typ. 2.5 mA	Typ. 5.8 mA	Typ. 5.8 mA
	ON voltage	13 V or more		
	OFF voltage	8 V or less		
Digital output	Pin No.	4		
	Output type	PNP		
	Max. load current (C/Q line)	0.25 A / output (Supplied from the power supply for control / input)		
	Over current protection	Built-in short circuit prevention		
Current consumption		50 mA or less		
Operating temperature range		-10 to 50 °C		
Storage temperature range		-20 to 60 °C		
Enclosure		IP67 (manifold assembly) *2		
Standard		CE marked (EMC directive / RoHS directive), UL (CSA)		

*1: All unused connectors must have a seal cap fitted.

■Dimensions

•EX600-L#B1



Maintenance

Turn OFF the power supply, stop the supplied air, exhaust the residual pressure and verify the release of air before performing maintenance.

Cleaning method

Use a soft cloth to remove stains.

For heavy stains, use a cloth soaked with diluted neutral detergent and fully squeezed, then wipe up the stains again with a dry cloth.

Do not use solvents such as benzene, thinner etc. to clean each unit.

Inspection item	Content of inspection
Connector/Electric wiring	Connect properly if the connection is loose.
Seal cap	Tighten properly if the connection is loose.
Thread for mounting and installation	If the thread is loose, re-tighten it to the specified torque.
Connection cables	If the cable is broken or any other abnormality is confirmed by appearance, replace the cable with a new one.
Supply source voltage	Check if source voltage within the specification range (24 VDC \pm 10%) is supplied.

How to reset the product for power cut or forcible de-energizing

Supply power to the product.

The output status just before the power failure is not maintained when power supply is recovered.

Start operation after confirming safety of the entire equipment.

Troubleshooting

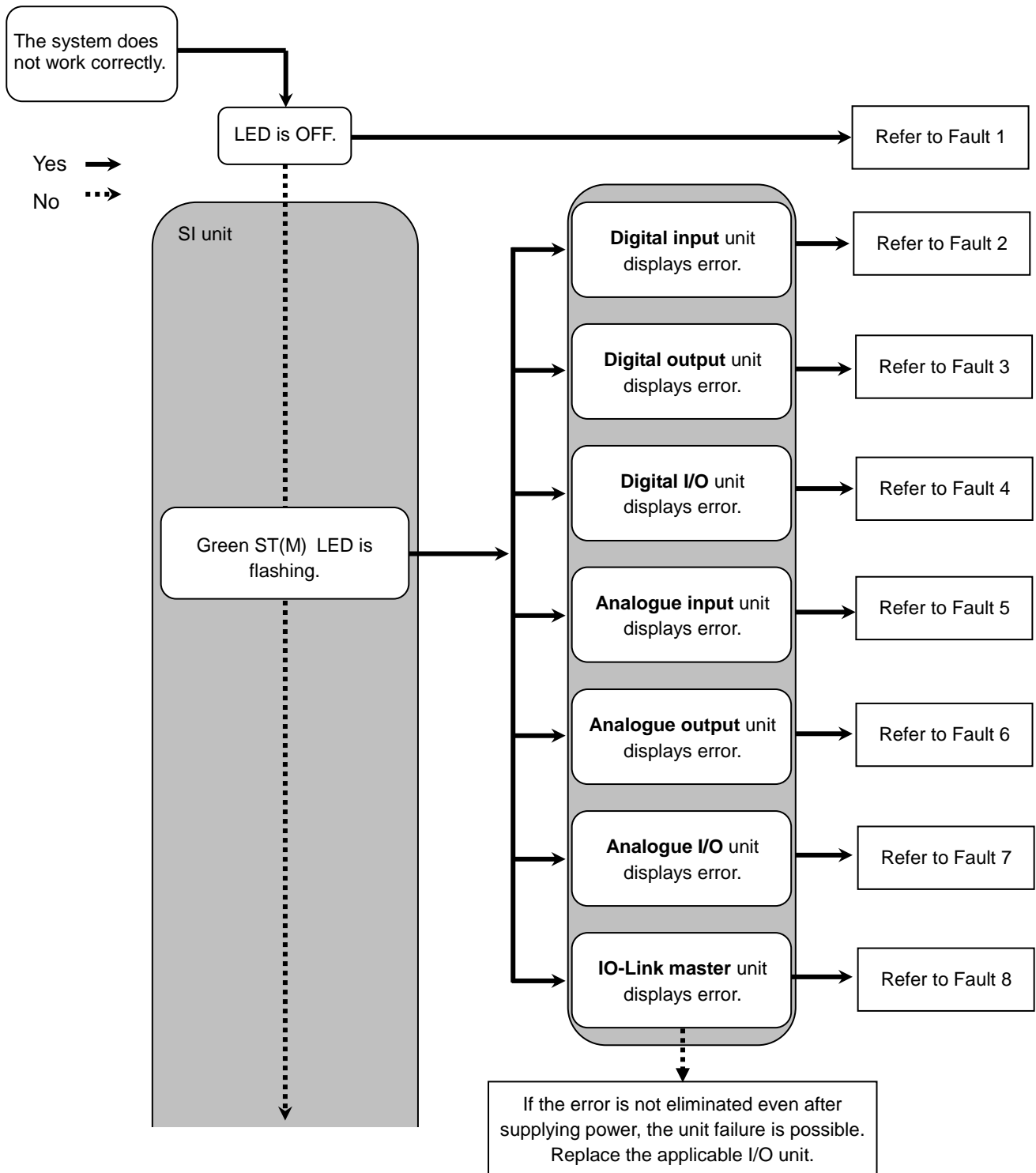
•Troubleshooting

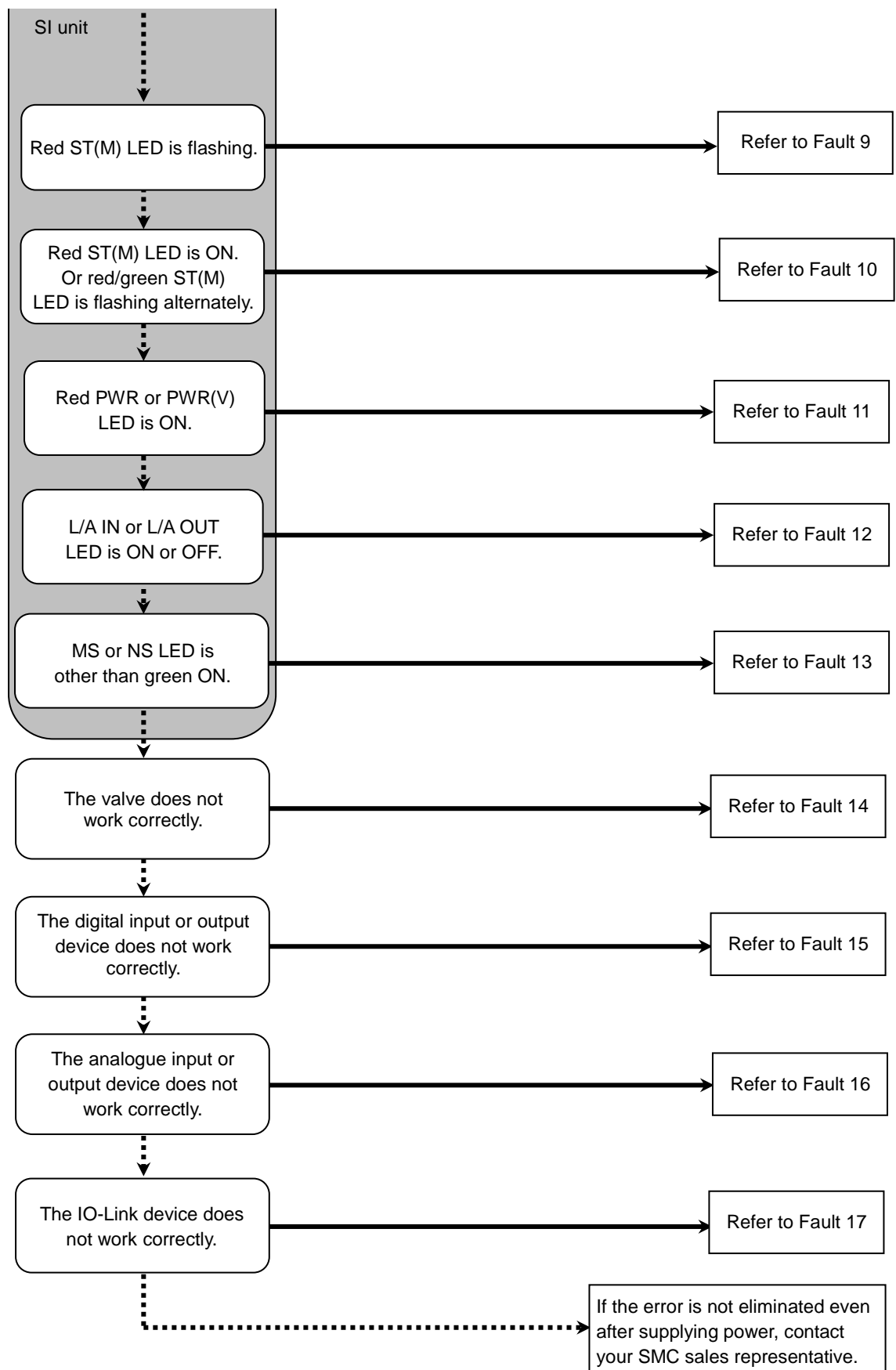
When any failure happens with this Fieldbus system, the following chart is used to identify the cause of the failure.

Error status is reflected from the parameter setting of the Fieldbus system.

When a failure occurs, take the appropriate countermeasures referring to the LED display, the troubleshooting and the parameter setting.

If a cause applicable to the failure cannot be identified, it indicates that the Fieldbus system itself is broken. The Fieldbus system breakage can be caused by the operating environment. Contact SMC separately to obtain countermeasures.





•Trouble counter measure method

No.	Part No. EX600-	Problem	Presumed cause	Troubleshooting
1	-	LED is OFF.	Power supply for control and input is OFF.	Check if the power for control and input is supplied.
2	DX□B DX□C□ DX□D	Red LED is ON. (Diagnosis is activated)	Input device power supply is short-circuited.	Check the parts with error by using the LED display or unit diagnostic data or master. Re-wire the short-circuited part or check if the cable and input device are normal.
		Red LED is flashing. (Diagnosis is activated)	(1)ON/OFF count of the input device has exceeded the set value. (2)The wire of the input device is broken or disconnected. (Only EX600-DX□C1)	Check the parts with error by using the LED display or unit diagnostic data or master. (1)Reset the ON/OFF count to zero or change the set value. Or invalidate diagnosis. (2)Check if the connector is loose and if the wire is broken.
		Red/green all LEDs are flashing.	An internal memory error occurred in the Digital input unit.	Turn OFF the power for the unit and then turn it ON again. If the error is not eliminated, stop the operation and contact SMC.
	DX□E DX□F	Red ST LED is ON. (Diagnosis is activated)	Input device power supply is short-circuited.	Check the parts with error by using the LED display or unit diagnostic data or master. Re-wire the short-circuited part or check if the cable and input device are normal.
		Red ST LED is flashing. (Diagnosis is activated)	ON/OFF count of the input device has exceeded the set value.	Check the parts with error by using the LED display or unit diagnostic data or master. Reset the ON/OFF count to zero or change the set value. Or invalidate diagnosis.
		Red/green ST LED is flashing.	An internal memory error occurred in the Digital input unit.	Turn OFF the power for the unit and then turn it ON again. If the error is not eliminated, stop the operation and contact SMC.

No.	Part No. EX600-	Problem	Presumed cause	Troubleshooting
3	DY□B	Red LED is ON. (Diagnosis is activated)	Output device is short-circuited.	Check the parts with error by using the LED display or unit diagnostic data or master. Re-wire the short-circuited part or check if the cable and output device are normal.
		Red LED is flashing. (Diagnosis is activated)	(1)ON/OFF count of the output device has exceeded the set value. (2)The wire of the output device is broken or disconnected.	Check the parts with error by using the LED display or unit diagnostic data or master. (1)Reset the ON/OFF count to zero or change the set value. Or invalidate diagnosis. (2)Check if the connector is loose and if the wire is broken.
		Red/green all LEDs are flashing.	An internal memory error occurred in the Digital output unit.	Turn OFF the power for the unit and then turn it ON again. If the error is not eliminated, stop the operation and contact SMC.
	DY□E DY□F	Red ST LED is ON. (Diagnosis is activated)	Output device is short-circuited.	Check the parts with error by using the LED display or unit diagnostic data or master. Re-wire the short-circuited part or check if the cable and output device are normal.
		Red ST LED is flashing. (Diagnosis is activated)	(1)ON/OFF count of the output device has exceeded the set value. (2)The wire of the output device is broken or disconnected.	Check the parts with error by using the LED display or unit diagnostic data or master. (1)Reset the ON/OFF count to zero or change the set value. Or invalidate diagnosis. (2)Check if the connector is loose and if the wire is broken.
		Red/green ST LED is flashing.	An internal memory error occurred in the Digital output unit.	Turn OFF the power for the unit and then turn it ON again. If the error is not eliminated, stop the operation and contact SMC.
4	DM□E DM□F	Red ST(I) LED is ON. (Diagnosis is activated)	Input device power supply is short-circuited.	Check the parts with error by using the LED display or unit diagnostic data or master. Re-wire the short-circuited part or check if the cable and input device are normal.
		Red ST(I) LED is flashing. (Diagnosis is activated)	ON/OFF count of the input device has exceeded the set value.	Check the parts with error by using the LED display or unit diagnostic data or master. Reset the ON/OFF count to zero or change the set value. Or invalidate diagnosis.
		Red ST(O) LED is ON. (Diagnosis is activated)	Output device is short-circuited.	Check the parts with error by using the LED display or unit diagnostic data or master. Re-wire the short-circuited part or check if the cable and output device are normal.
		Red ST(O) LED is flashing (Diagnosis is activated)	(1)ON/OFF count of the output device has exceeded the set value. (2)The wire of the output device is broken or disconnected.	Check the parts with error by using the LED display or unit diagnostic data or master. (1)Reset the ON/OFF count to zero or change the set value. Or invalidate diagnosis. (2)Check if the connector is loose and if the wire is broken.
		Red/green ST LED is flashing.	An internal memory error occurred in the Digital input/ output unit.	Turn OFF the power for the unit and then turn it ON again. If the error is not eliminated, stop the operation and contact SMC.

No.	Part No. EX600-	Problem	Presumed cause	Troubleshooting
5	AXA	Red LED is ON. (Diagnosis is activated)	Analogue input device power supply is short-circuited.	Check the parts with error by using the LED display or unit diagnostic data or master. Re-wire the short-circuited part, and check if the cable and analogue input device are normal.
		"0 and 1" red LEDs are ON.	Input value has exceeded the upper limit when set to current input type range.	Check the following when the range of the Analogue input unit is set to current input. (1)Set the input value of the analogue input device so that it does not exceed the upper limit. (2)Voltage is input from the analogue input device.Ensure the range of the Analogue input unit matches the range of the analogue input device.
		Red LED is flashing. (Diagnosis is activated)	(1)Input value has exceeded the upper or lower limit of the range. (2)Input value (value set by user) has exceeded the upper or lower limit.	(1)If the input value from the analogue input device exceeds the upper or lower limit of the range, select the appropriate range so that the input value is within the range. Or invalidate diagnosis. (2)If the input value from the analogue input device exceeds the upper or lower limit of the user set value, adjust it so that the input value is within the range of the user set value. Or invalidate diagnosis.
		Red/green all LEDs are flashing.	An internal memory error occurred in the Analogue input unit.	Turn OFF the power for the unit and then turn it ON again. If the error is not eliminated, stop the operation and contact SMC.
6	AYA	Red LED is ON. (Diagnosis is activated)	Analogue output device power supply is short-circuited.	Check the parts with error by using the LED display or unit diagnostic data or master. Re-wire the short-circuited part, and check if the cable and analogue output device are normal.
		Red LED is flashing. (Diagnosis is activated)	Output value (value set by user) has exceeded the upper or lower limit.	If the output value from the analogue output device exceeds the upper or lower limit of the user set value, adjust it so that the output value is within the range of the user set value. Or invalidate diagnosis.
		Red/green all LEDs are flashing.	An internal memory error occurred in the Analogue output unit.	Turn OFF the power for the unit and then turn it ON again. If the error is not eliminated, stop the operation and contact SMC.

No.	Part No. EX600-	Problem	Presumed cause	Troubleshooting
7	AMB	Red LED is ON. (Diagnosis is activated)	Analogue input or output device power supply is short-circuited.	Check the parts with error by using the LED display or unit diagnostic data or master. Re-wire the short-circuited part, and check if the cable and analogue input or output device are normal.
		"0 and 1" red LEDs are ON.	Input value has exceeded the upper limit when set to current input type range.	Check the following when the range of the Analogue input unit is set to current input. (1)Set the input value of the analogue input device so that it does not exceed the upper limit. (2)Voltage is input from the analogue input device. Ensure the range of the input unit matches the range of the input device.
		Red LED is flashing. (Diagnosis is activated)	(1)Input value has exceeded the upper or lower limit of the range. (2)Input or output value (value set by user) has exceeded the upper or lower limit.	(1)If the input value from the analogue input device exceeds the upper or lower limit of the range, select the appropriate range so that the input value is within the range. Or invalidate diagnosis. (2)If the input (output) value from the analogue input (output) device exceeds the upper or lower limit of the user set value, adjust it so that the input (output) value is within the range of the user set value. Or invalidate diagnosis.
		Red/green all LEDs are flashing.	An internal memory error occurred in the Analogue input/ output unit.	Turn OFF the power for the unit and then turn it ON again. If the error is not eliminated, stop the operation and contact SMC.
8	L□B1	Red LED is ON (C/Q or P24) (When diagnostics is valid)	Short circuit of L + power supply or C/Q terminal or P24.	Check the parts showing an error using the LED display or via the Web server. Re-wire the short-circuited part or check if the cable, IO-Link master device or IO-Link device are normal.
		Red and green LEDs are ON alternately.	An internal memory error has occurred in the IO-Link master unit.	Turn off the power to the unit and then turn it on again. If the error is not eliminated, stop using the product and contact your SMC sales representative.

No.	Problem	Presumed cause	Troubleshooting
9	Red ST(M) LED is flashing. (Diagnosis is activated)	(1)Valve is short-circuited. (2)Valve is open-circuited. (3)ON/OFF count of the valve has exceeded the set value.	Check the parts with error by using the LED display or unit diagnostic data or master. (1)Check the operation after replacing the valve. (2)Check the operation after replacing the valve. (3)Reset the ON/OFF count to zero or change the set value. Or invalidate diagnosis.
10	Red ST(M) LED is ON.	SI unit has failed.	Turn OFF the power for the unit and then turn it ON again. If the error is not eliminated, stop the operation and contact SMC.
	Red/Green ST(M) LED is flashing alternately.	Connection error between units is detected.	Confirm that there is no loose connection between the units and connect them correctly.
11	Red PWR LED is ON. (Diagnosis is activated)	Power supply voltage for control and input is out of range.	Supply 24 VDC \pm 10% for control and input power source.
	Red PWR(V) LED is ON. (Diagnosis is activated)	Power supply voltage for output is out of range.	Supply 24 VDC +10/-5% for output power source.
12	L/A IN and L/A OUT LEDs are OFF.	LINK has not yet been established.	Check the following and restart. (1)Check if the power is supplied to the EtherNet/IP device one level above. (When L/A IN LED is OFF.) (2)Check that the connectors of L/A IN and L/A OUT communication cables are connected and there are no broken wires. (3)Keep noise sources away from the communication cable. *: The L/A OUT LED will be OFF if the BUS OUT connector is not used.
	L/A IN or L/A OUT LED is ON.	LINK is established but data has not been received.	Check the following and restart. (1)Check the master condition and run the master. (2)Check that the communication connector is not loose and there are no broken wires. (3)Keep noise sources away from the communication cable.

No.	Problem	Presumed cause	Troubleshooting
13	MS: Green LED is flashing	(1)Configuration is not correctly. (2)The master is idle state.	(1)Set the configuration properly. Refer to "Hardware Configuration" (page 89) for details. (2)Set the PLC to RUN status.
	MS: Red LED is flashing	Diagnostic error is detected.	Check the LED status and eliminate the error by referring to countermeasure No.2 to 7.
	MS: Red LED is ON	SI unit failure.	Stop the operation and contact SMC.
	NS: OFF	IP address is not setting.	Set IP address. Refer to "IP address setting switch" (page 20) for details.
	NS: Green LED is flashing	EtherNet/IP™ communication is not established.	Check the following and restart. •Signal line is connected from PLC. •The communication speed of PLC and SI unit is appropriate. •Wire the communication line away from the noise source.
	NS: Red LED is flashing	EtherNet/IP™ communication is time-out.	Check the following, and restart. •Signal line is connected from PLC. •The communication speed of PLC and SI unit is appropriate. •Wire the communication line away from the noise source.
NS: Red LED is ON	IP address is duplicated.	Reset IP address which has not been used yet. Refer to "IP address setting switch" (page 20) for details.	
14	The valve dose not work correctly.	Program etc. is defective.	Check if the ladder program of master, etc. is correct.
		Power supply for output is out of range.	Check if the green PWR(V) LED of the SI unit is ON. If the LED is off, or the red LED is ON, supply 24 VDC +10/-5% to the power supply for output.
		Connection between SI unit and manifold valve is defective.	Check the connectors between the SI unit and manifold valve are not damaged, such as bent pins, and connect them correctly.
		Polarity of output does not match.	IF the polarity of the SI unit and the valve are different, replace one of them to make the combination match. •EX600-SEN3 (PNP output) ⇒ -common type valve •EX600-SEN4 (NPN output) ⇒ +common type valve
		SI unit has failed.	Replace the SI unit with a normal one, and check the operation.
Valve failure.	Replace the valve with a normal one, and check the operation. Or refer to the troubleshooting of the valve used.		

No.	Problem	Presumed cause	Troubleshooting
15	The digital input device does not work correctly.	Polarity of input does not match.	If the polarity (PNP, NPN) of the input unit and the input device are different, replace one of them to make the combination match.
		Power supply for control and input is out of range.	Check if the green PWR LED of the SI unit is ON. If the LED is off, or the red LED is ON, supply 24 VDC $\pm 10\%$ to the power supply for control and input.
		Wiring or connection is defective.	Connect the wiring correctly between the digital input device and the Digital input unit.
		Input unit has failed.	Replace the input unit with a normal one, and check the operation.
		Input device failure.	Replace the input device with a normal one, and check the operation. Or refer to the troubleshooting of the input device used.
	The digital output device does not work correctly.	Polarity of output does not match.	If the polarity (PNP, NPN) of the output unit and the output device are different, replace one of them to make the combination match.
		Power supply for output is out of range.	Check if the green PWR(V) LED of the SI unit is ON. If the LED is off, or the red LED is ON, supply 24 VDC $+10/-5\%$ to the power supply for output.
		Wiring or connection is defective.	Connect the wiring correctly between the digital output device and the Digital output unit.
		Output unit has failed.	Replace the Output unit with a normal one, and check the operation.
		Output device failure.	Replace the output device with a normal one, and check the operation. Or refer to the troubleshooting of the output device used.
		Program etc. is defective.	Check if the ladder program of master, etc. is correct.

No.	Problem	Presumed cause	Troubleshooting
16	The analogue input device does not work correctly.	Power supply for control and input is out of range.	Check if the green PWR LED of the SI unit is ON. If the LED is off, or the red LED is ON, supply 24 VDC $\pm 10\%$ to the power supply for control and input.
		Analogue input signal range setting failure.	Check the analogue input device specification, and set the input signal range which satisfies the specification.
		Analogue data format does not match.	Check whether the data format of the Analogue input unit is properly set.
		Wiring or connection is defective.	Connect the wiring correctly between the analogue input device and the Analogue input unit.
		Analogue input unit has failed.	Replace the Analogue input unit with a normal one, and check the operation.
		Analogue input device failure.	Replace the analogue input device with a normal one, and check the operation. Or refer to the troubleshooting of the analogue input device used.
	The analogue output device does not work correctly.	Power supply for output is out of range.	Check if the green PWR(V) LED of the SI unit is ON. If the LED is off, or the red LED is ON, supply 24 VDC $+10/-5\%$ to the power supply for output.
		Analogue output signal range setting failure.	Check the analogue output device specification, and set the output signal range which satisfies the specification.
		Analogue data format does not match.	Check whether the data format of the Analogue output unit is properly set.
		Wiring or connection is defective.	Connect the wiring correctly between the analogue output device and the Analogue output unit.
		Analogue output unit has failed.	Replace the Analogue output unit with a normal one, and check the operation.
		Analogue output device failure.	Replace the analogue output device with a normal one, and check the operation. Or refer to the troubleshooting of the analogue output device used.
		Program etc. is defective.	Check if the ladder program of master, etc. is correct.

No.	Problem	Presumed cause	Troubleshooting
17	LED (C/Q) of EX600-L□B1 is flashing green (1Hz).	In IO-Link mode, •IO-Link device disconnected.	Connect the IO-Link device.
	LED (C/Q) of EX600-L□B1 is flashing green (2 Hz).	In IO-Link mode, •Connected IO-Link device matching error. •Data size error. •Data storage writing error.	•Check the setting of Validation and Backup. •Check the process data of each port of the IO-Link master. When setting the size, it should be more than that of the IO-Link device connected. •Perform writing of the data storage once again.
	LED (C/Q) of the EX600-L□B1 is OFF or turned ON orange.	Port setting is not in the IO-Link communication mode.	For IO-Link communication, set the IO-Link port operation mode to "IOL_Manual" or "IOL_AutoStart".
	IO-Link device operation error.	Power supply for control and input is out of range.	Check if the Power LED of the SI unit is turned ON in green. If the LED is OFF or the red LED is ON, supply 24 VDC +/- 10 % to the power supply for control and input.
		Power supply for output is out of range.	Check if the P24_LED of EX600-LBB1 is turned ON green. If the LED is OFF, supply 24 VDC +/- 5% to the power supply for output.
		Wiring or connection is defective.	Connect the IO-Link master port and IO-Link device correctly.
		IO-Link device failure.	Replace the IO-Link device and check the operation. Or, refer to the troubleshooting of the IO-Link device used.
IO-Link master failure.		Replace the IO-Link master and check the operation.	
Program error.	Check that the ladder logic program works correctly.		

Parameter Setting

The EX600 parameters can be configured for the system, each unit and each channel. Parameters can be changed by EtherNet/IP™ Object or Web server.

■Parameter definition and setting

With EX600 series, parameters can be set for each unit.

The table below shows settable parameters for the SI unit and input/output units.

•System parameters

No.	Parameter	Definition	Item	Content	Default setting
1	Hold/Clear priority setting	Switch the setting of the output during communication error or communication idling to follow the setting of the SI unit or the parameters.	Via switch	Setting by SI unit switch becomes valid. OFF/Hold can be set output of all.	○
			Via software	Setting by EtherNet/IP™ object or the Web server becomes valid. OFF/Hold/Forced ON can be set per channel.	
2	Byte order of analogue values	Switch the byte sequence with which the analogue values are transferred to the controller.	LSB-MSB	The data format of all analogue units is assumed to be LSB-MSB.	○
			MSB-LSB	The data format of all analogue units is assumed to be MSB-LSB.	

•SI unit parameters (1)

No.	Parameter	Definition	Item	Content	Default setting	Parameter setting range
1	Power supply for control and input voltage monitor	Generated error when control and input power supply voltage goes over approx. 29 V or under 18 V.	Enable	Generates an error.	○	Unit
			Disable	Does not generate an error.		
2	Power supply for output voltage monitor	Generated error when output power supply voltage goes over approx. 29 V or under 19 V.	Enable	Generates an error.	○	Unit
			Disable	Does not generate an error.		
3	Short Circuit Detection	Generates error when the short circuit of the valve is detected.	Enable	Generates an error.	○	Unit
			Disable	Does not generate an error.		
4	Restart after short circuit	Restore the setting of short circuit detection error after the valve short circuit is cleared.	Auto	Error is automatically cleared when the short circuit is fixed.	○	Unit
			Manual	Even when the short circuit is fixed, error is not cleared until the power is supplied again.		
5	Open Circuit Detection	Generates error when the disconnection of the valve is detected.	Enable	Generates an error.	○	Channel
			Disable	Does not generate an error.		
6	Output setting during communication fault *1	Sets output when communication error is occurred.	Clear	Turn off the output	○	Channel
			Hold	Hold the output		
			ForceON	Turn on the output forcefully		
7	Output setting during communication idling *1 *2	Output setting at the time of communication idling	Clear	Turn off the output	○	Channel
			Hold	Hold the output		
			ForceON	Turn on the output forcefully		

•SI unit parameters (2)

No.	Parameter	Definition	Item	Content	Default setting	Parameter setting range
8	Valve ON/OFF counter	Generates error when the operation count exceeds the set value. *3	Enable	Generates an error. Val: 1 to 65000 *4	○	Channel
			Disable	Does not generate an error.		
9	Valve ON/OFF counter clear	Clears the valve ON/OFF counter to 0. (Refer to page 131 for the clear method).	-	-	-	-
10	BUS IN port setting	Sets the communication speed and communication method of BUS IN.	Auto	Selects the required communication speed and communication method	○	Unit
			10 HDX			
			10 FDX			
			100 HDX			
100 FDX						
11	BUS OUT port setting	Sets the communication speed and communication method of BUS OUT.	Auto	Selects the required communication speed and communication method.	○	Unit
			10 HDX			
			10 FDX			
			100 HDX			
100 FDX						

*1: This function is valid only when "Hold/Clear priority" of the system parameter is set to "Via software".

*2: Some PLC does not support an idle mode.

*3: The count is memorized every hour. When the power supply is turned on again, counting starts from the last value memorized.

*4: Times for setting is set value x1000 times.

•Digital input unit parameters

No.	Parameter	Definition	Item	Content	Default setting	Parameter setting range
1	The power supply short circuit detection for control and input	Generates error when the short circuit of the power supply for the input device is detected.	Enable	Generates an error.	○	Unit
			Disable	Does not generate an error.		
2	Open circuit detection *1	Generates error when the disconnection of the input device is detected. *2	Enable	Generates an error.	○	Channel
			Disable	Does not generate an error.		
3	Inrush current filter	Selects the over current detection for 100 msec after supplying power.	Enable	Ignores inrush current.	○	Unit
			Disable	Does not ignore inrush current.		
4	Input filtering time	Sets the time to ignore the input signal change.	0.1 ms	Selects the time for filtering.	1.0 ms	Unit
			1.0 ms			
			10 ms			
			20 ms			
5	Input extension time	Sets the time to hold the input signal.	1.0ms	Selects the time to hold the input signal.	15 ms	Unit
			15 ms			
			100 ms			
			200 ms			
6	Input ON/OFF counter	Generates error when the operation count exceeds the set value. *3	Enable	Generates an error. Val: 1 to 65000 *4	○	Channel
			Disable	Does not generate an error.		
7	Input ON/OFF counter clear	Clears the Input ON/OFF counter to 0. (Refer to page 131 for the clear method).	-	-	-	-

*1: Disconnection detection is a function only available for digital unit (EX600-DXPC1, EX600-DXNC1) with disconnection detection.

*2: 2-wire type input equipment cannot be correctly detected if its leakage current is 0.5 mA or less while the equipment is in the OFF state (reed sensor, etc.).

Ensure that all input equipment used has a leakage current above 0.5 mA in the OFF state.

3-wire type input equipment cannot be correctly detected if its current consumption is 0.5 mA or less.

The open circuit of input signals cannot be detected.

*3: The count is memorized every hour. When the power supply is turned on again, counting starts from the last value memorized.

*4: Times for setting is set value x1000 times.

•Digital output unit parameters

No.	Parameter	Definition	Item	Content	Default setting	Parameter setting range
1	Output load short circuit detection	Generates error when the short circuit of the output device is detected. *1	Enable	Generates an error.	○	Unit
			Disable	Does not generate an error.		
2	Restart after output load short circuit	Restore the setting of short circuit detection error after the output device short circuit is cleared.	Auto	Error is automatically cleared when the short circuit is fixed.	○	Unit
			Manual	Even when the short circuit is fixed, error is not cleared until the power is supplied again.		
3	Open circuit detection	Generates error when the disconnection of the output device is detected.	Enable	Generates an error.		Channel
			Disable	Does not generate an error.	○	
4	Output setting during communication fault *2	Sets output when communication error is occurred.	Clear	Turn off the output	○	Channel
			Hold	Hold the output		
			ForceON	Turn on the output forcefully		
5	Output setting during communication idling *2 *3	Sets output during communication idling.	Clear	Turn off the output	○	Channel
			Hold	Hold the output		
			ForceON	Turn on the output forcefully		
6	Output ON/OFF counter	Generates error when the operation count exceeds the set value. *4	Enable	Generates an error. Val: 1 to 65000 *5		Channel
			Disable	Does not generate an error.	○	
7	Output ON/OFF counter clear	Clears the Output ON/OFF counter to 0. (Refer to page 131 for the clear method).	-	-	-	-

*1: Could be incorrectly recognized as short circuit depending on used load (ex.: lamp load). If detection is incorrect, disable the parameter setting.

*2: This function is valid only when "Hold/Clear priority" of the system parameter is set to "Via software".

*3: Some PLC does not support an idle mode.

*4: The count is memorized every hour. When the power supply is turned on again, counting starts from the last value memorized.

*5: Times for setting is set value x1000 times.

•Digital I/O unit parameters (1)

No.	Parameter	Definition	Item	Content	Default setting	Parameter setting range
1	The power supply short circuit detection for control and input	Generates error when the short circuit of the control or input power supply is detected.	Enable	Generates an error.	○	Unit
			Disable	Does not generate an error.		
2	Inrush current filter	Select the over current detection for 100 msec after supplying power.	Enable	Ignores inrush current.	○	Unit
			Disable	Does not ignore inrush current.		
3	Input filtering time	Sets the time to ignore the input signal change.	0.1 ms	Selects the time for filtering.	1.0 ms	Unit
			1.0 ms			
			10 ms			
			20 ms			
4	Input extension time	Sets the time to hold the input signal.	1.0 ms	Selects the time to hold the input signal.	15 ms	Unit
			15 ms			
			100 ms			
			200 ms			
5	Output load short circuit detection	Generates error when the short circuit of the output device is detected. *1	Enable	Generates an error.	○	Unit
			Disable	Does not generate an error.		
6	Restart after output load short circuit	Restore the setting of short circuit detection error after the output device short circuit is cleared.	Auto	Error is automatically cleared when the short circuit is fixed.	○	Unit
			Manual	Even when the short circuit is fixed, error is not cleared until the power is supplied again.		
7	Open circuit detection	Generates error when the disconnection of the output device is detected.	Enable	Generates an error.	○	Channel
			Disable	Does not generate an error.		
8	Output setting during communication fault *2	Sets output when Communication error is occurred.	Clear	Turn off the output	○	Channel
			Hold	Hold the output		
			ForceON	Turn on the output forcefully		
9	Output setting for communication idling *2 *3	Sets output during communication idling.	Clear	Turn off the output	○	Channel
			Hold	Hold the output		
			ForceON	Turn on the output forcefully		

•Digital I/O unit parameters (2)

No.	Parameter	Definition	Item	Content	Default setting	Parameter setting range
10	Input or Output ON/OFF counter	Generates error when the operation count exceeds the set value. *4	Enable	Generates an error. Val: 1 to 65000 *5	○	Channel
			Disable	Does not generate an error.		
11	Input or Output ON/OFF counter clear	Clears the Input or Output ON/OFF counter to 0. (Refer to page 131 for the clear method).	-	-	-	-

*1: Could be incorrectly recognized as short circuit depending on used load (ex.: lamp load). If detection is incorrect, disable the parameter setting.

*2: This function is valid only when "Hold/Clear priority" of the system parameter is set to "Via software".

*3: Some PLC does not support an idle mode.

*4: The count is memorized every hour. When the power supply is turned on again, counting starts from the last value memorized.

*5: Times for setting is set value x1000 times.

•Analogue input unit parameters

No.	Parameter	Definition	Item	Content	Default setting	Parameter setting range
1	The power supply short circuit detection for the input device	Generates error when the short circuit of the power supply for the input device is detected.	Enable	Generates an error.	○	Unit
			Disable	Does not generate an error.		
2	Analogue input range	Sets the analogue input device range.	-10..10 V	Selects the analogue input range.	-10..10 V	Channel
			-5..5 V			
			-20..20 mA			
			0..10 V			
			0..5 V			
			1..5 V			
			0..20 mA			
4..20 mA						
3	Analogue data format	Sets analogue data type which is output to PLC.	Offset binary	Offset binary.	○	Unit
			Sign & Magnitude	Signed binary.		
			2s complement	2's complement.		
4	Analogue average filter	Sets analogue filtering time.	None	None	○	Channel
			2AVG	2 value average		
			4AVG	4 value average		
			8AVG	8 value average		
5	Over range detection	Generates error when the input value exceeds 0.5% of full span.	Enable	Generates an error.	○	Unit
			Disable	Does not generate an error.		
6	Under range detection	Generates error when the input value falls below 0.5% of full span.	Enable	Generates an error.	○	Unit
			Disable	Does not generate an error.		
7	User setting value upper limit error	Generates error when the input value exceeds the set value.	Enable	Generates an error. *1	○	Channel
			Disable	Does not generate an error.		
8	User setting value lower limit error	Generates error when the input value falls below the set value.	Enable	Generates an error. *1	○	Channel
			Disable	Does not generate an error.		

*1: Set value shall be set per analogue input range within settable range in the table below.

When the analogue input range is changed, check the set value and change it to an appropriate value.

Table. Settable range of user set value

Range	Settable value range	
	Lower limit	Upper limit
-10..+10 V	-10.50 to +10.45 V	-10.45 to +10.50 V
-5..+5 V	-5.25 to +5.22 V	-5.22 to +5.25 V
-20..+20 mA	-21.00 to +20.90 mA	-20.90 to +21.00 mA
0..10 V	0.00 to +10.45 V	+0.05 to +10.50 V
0..5 V	0.00 to +5.22 V	+0.03 to +5.25 V
1..5 V	+0.75 to +5.22 V	+0.78 to +5.25 V
0..20 mA	0.00 to +20.90 mA	+0.10 to +21.00 mA
4..20 mA	+3.00 to +20.90 mA	+3.10 to +21.00 mA

Correspondence table for user set upper or lower limit

Range	Via E.O. *1	Via W.S. *2	Expected value
-10..+10 V	0 to 1050 32768 to 33818	0 to 1050 -0 to -1050	+0.00 to +10.50 V -0.00 to -10.50 V
-5..+5 V	0 to 525 32768 to 33293	0 to 525 -0 to -525	+0.00 to +5.25 V -0.00 to -5.25 V
-20..+20 mA	0 to 2100 32768 to 34868	0 to 2100 -0 to -2100	+0.00 to +21.00 mA -0.00 to -21.00 mA
0..10 V	0 to 1050	0 to 1050	+0.00 to +10.50 V
0..5 V	0 to 525	0 to 525	+0.00 to +5.25 V
1..5 V	75 to 525	75 to 525	+0.75 to +5.25 V
0..20 mA	0 to 2100	0 to 2100	+0.00 to +21.00 mA
4..20 mA	300 to 2100	300 to 2100	+3.00 to +21.00 mA

*1: Follow the methods below when assigning the user set upper and lower limit by E.O.

•Assigning positive value: Input the required data x 100 in decimal system.

Example: +10.50 V is assigned --- Assign $10.50 \times 100 = 1050$ by E.O.

•Assigning negative value: Convert the absolute value x 100 to be assigned in 16bit binary. Then, change the most significant bit to "1" before inputting.

Example: -10.50 V is assigned --- Assign $10.50 \times 100 = 1050 \rightarrow 10000011010b \rightarrow 1000010000011010b \rightarrow 33818$ by E.O.

*2: When assigning the user set upper and lower limit by W.S., input the required data x 100 in decimal system.

•Analogue output unit parameters (1)

No.	Parameter	Definition	Item	Content	Default setting	Parameter setting range
1	The power supply short circuit detection for the output device	Generates error when the short circuit of the output device is detected.	Enable	Generates an error.	○	Unit
			Disable	Does not generate an error.		
2	Analogue output range	Sets the range of the analogue output device.	0..10 V	Selects the analogue output range.	0..10 V	Channel
			0.5 V			
			1..5 V			
			0..20 mA			
			4..20 mA			
3	Analogue data format	Sets analogue data type which is output to PLC.	Offset binary	Offset binary.	○	Unit
			Sign & Magnitude	Signed binary.		
			2s complement	2's complement.		
			Scaled	Scale conversion type.		
4	User setting value upper limit error	Generates error when the output value exceeds the set value.	Enable	Generates an error. *1	○	Channel
			Disable	Does not generate an error.		
	Scale upper limit setting	Sets the scale upper limit. Generates error when the output value exceeds the upper limit.	Enable	Generates an error. Val: -32766 to 32767	○ Val: 1000	
			Disable	Does not generate an error. Val: -32766 to 32767		
5	User setting value lower limit error	Generates error when the output value falls below the set value.	Enable	Generates an error. *1	○	Channel
			Disable	Does not generate an error.		
	Scale lower limit setting	Sets the scale lower limit. Generates error when the output value falls below the lower limit.	Enable	Generates an error. Val: -32767 to 32766	○ Val: 0	
			Disable	Does not generate an error. Val: -32767 to 32766		
6	Output setting for communication error *2	Sets output when communication error is occurred.	Enable	Output will be user fault value. *1	○	Channel
			Disable	Output will be held last state.		

•Analogue output unit parameters (2)

No.	Parameter	Definition	Item	Content	Default setting	Parameter setting range
7	Output setting for communication idling *2 *3	Sets output during communication idling.	Enable	Output will be user idle value. *1	○	Channel
			Disable	Output will be held last state.		

*1: Set value shall be set per analogue input range within settable range in the table below.

When the analogue input range is changed, check the set value and change it to an appropriate value.

*2: This function is valid only when "Hold/Clear priority" of the system parameter is set to "Via software".

*3: Some PLC does not support an idle mode.

Settable range for user set upper or lower limit and output value at communication error and idling

Range	Settable range for user set upper or lower limit		Settable range for output value at communication error and idling
	Lower limit	Upper limit	
0..10 V	0.00 to +10.45 V	+0.05 to +10.50 V	0.00 to +10.50 V
0..5 V	0.00 to +5.22 V	+0.03 to +5.25 V	0.00 to +5.25 V
1..5 V	+0.75 to +5.22 V	+0.78 to +5.25 V	+0.75 to +5.25 V
0..20 mA	0.00 to +20.90 mA	+0.10 to +21.00 mA	0.00 to +21.00 mA
4..20 mA	+3.00 to +20.90 mA	+3.10 to +21.00 mA	+3.00 to +21.00 mA

Correspondence table for user set upper or lower limit and output value at communication error and idling (E.O./W.S.)

(Data format: other than scale conversion format)

Range	Set value (Offset Binary Signed Magnitude 2's Complement)	Expected value
0..10 V	0 to 1050	0.00 to +10.50 V
0..5 V	0 to 525	0.00 to +5.25 V
1..5 V	75 to 525	+0.75 to +5.25 V
0..20 mA	0 to 2100	0.00 to +21.00 mA
4..20 mA	300 to 2100	+3.00 to +21.00 mA

*: When the data format is a type other than scale conversion, input the desired voltage or current x 100 in decimal system.

*: If the data format is scaled data format, set the data as follows, regardless of the range setting.

Correspondence table for user set upper or lower limit and output value at communication error and idling (E.O./W.S.)

(Data format: scale conversion format)

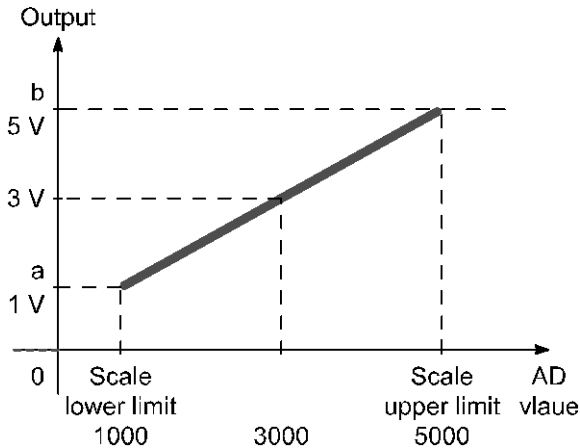
E.O. set value	W.S. set value	Expected value
0 to 32767	0 to 32767	+0 to +32767
32768 to 65535	-0 to -32767	-0 to -32767

Scaled data format

Function to set any value between "-32767 to 32767" as the AD value for output signal range. Resolution is determined by specifying the upper and lower scale limit.

$$\text{Resolution} = \frac{\text{Upper limit value of the range} - \text{Lower limit value of the range}}{\text{Upper limit value of the scale} - \text{Lower limit value of the scale}}$$

Example: when the range is 1 to 5 V output



- (1) Set the range to 1 to 5 V.
- (2) When the upper limit of the scale is set to 5000, and the lower limit of the scale is set to 1000, the result will be as follows.
 - 1000 ··· 1 V output
 - 2000 ··· 2 V output
 - 3000 ··· 3 V output
 - 4000 ··· 4 V output
 - 5000 ··· 5 V output
- (3) The resolution from 1 to 5 V is 1/1000 based on the calculation.

$$(5\text{ V} - 1\text{ V}) / (5000 - 1000) = 1/1000$$

Scale set value (AD value)		Output signal range (a to b)				
	Decimal number	Voltage [V]			Current [mA]	
		0 to 10	1 to 5	0 to 5	0 to 20	4 to 20
Scale upper limit	-32766 to 32767	10	5	5	20	20
Scale lower limit	-32767 to 32766	0	1	0	0	4

*: If the data format is scaled data format, set the data as follows, regardless of the range setting.

Correspondence table for scale upper or lower limit and output value at communication error and idling (E.O./W.S.)

(Data format: scale conversion format)

E.O. set value	W.S. set value	Expected value
0 to 32767	0 to 32767	+0 to +32767
32768 to 65535	-0 to -32767	-0 to -32767

Example: To set the Fault Value to 4 V when the range is 1 to 5 V (analogue output range), scale upper limit 5000, and scale lower limit 1000, set 4000 to Fault Value using the PLC.

•Analogue I/O unit parameters (1)

No.	Parameter	Definition	Item	Content	Default setting	Parameter setting range
1	The power supply short circuit detection for the input or output device	Generates error when the short circuit of the input device power supply or output device is detected.	Enable	Generates an error.	○	Unit
			Disable	Does not generate an error.		
2	Analogue input or output range	Sets the analogue input or output range.	0..10 V	Select the analogue input or output range.	1..5 V	Channel
			0.5 V			
			1..5 V			
			0..20 mA			
			4..20 mA			
3	Analogue data format	Sets analogue data type which is output to PLC.	Offset binary	Offset binary.	○	Unit
			Sign & Magnitude	Signed binary.		
			2s complement	2's complement.		
			Scaled	Scale conversion type.		
4	Analogue average filter	Sets analogue input filtering time.	None	None	○	Channel
			2AVG	2 value average		
			4AVG	4 value average		
			8AVG	8 value average		
5	Over range detection	Generates error when the input value exceeds 0.5% of full span.	Enable	Generates an error.	○	Unit
			Disable	Does not generate an error.		
6	Under range detection	Generates error when the input value falls below 0.5% of full span.	Enable	Generates an error.	○	Unit
			Disable	Does not generate an error.		
7	User's set value upper limit error	Generates error when the input or output value exceeds the set value.	Enable	Generates an error. *1	○	Channel
			Disable	Does not generate an error.		
	Scale upper limit setting	Sets the scale upper limit. Generates error when the input or output value exceeds the upper limit.	Enable	Generates an error. Val: -32766 to 32767	○ Val: 1000	
			Disable	Does not generated an error. Val: -32766 to 32767		

•Analogue I/O unit parameters (2)

No.	Parameter	Definition	Item	Content	Default setting	Parameter setting range
8	User's set value lower limit error	Generates error when the input or output value falls below the lower limit.	Enable	Generates an error. *1		Channel
			Disable	Does not generate an error.	○	
	Scale lower limit setting	Sets the scale lower limit. Generates error when the input or output value falls below the lower limit.	Enable	Generates an error. Val: -32767 to 32766		
			Disable	Does not generate an error. Val: -32767 to 32766	○ Val: 0	
9	Output setting for communication fault *2	Sets output when communication error is occurred.	Enable	Output will be user fault value. *1		Channel
			Disable	Output will be held last state.	○	
10	Output setting for communication idling *2 *3	Sets output during communication idling.	Enable	Output will be user idle value. *1		Channel
			Disable	Output will be held last state.	○	

*1: Set value shall be set per analogue output range within settable range in the table below.

When the analogue output range is changed, check the set value and change it to an appropriate value.

*2: This function is valid only when "Hold/Clear priority" of the system parameter is set to "Via software".

*3: Some PLC does not support an idle mode.

Settable range for user set upper or lower limit and output value at communication error and idling

Range	Settable range for user set upper or lower limit		Settable range for output value at communication error and idling
	Lower limit	Upper limit	
0..10 V	0.00 to +10.45 V	+0.05 to +10.50 V	0.00 to +10.50 V
0..5 V	0.00 to +5.22 V	+0.03 to +5.25 V	0.00 to +5.25 V
1..5 V	+0.75 to +5.22 V	+0.78 to +5.25 V	+0.75 to +5.25 V
0..20 mA	0.00 to +20.90 mA	+0.10 to +21.00 mA	0.00 to +21.00 mA
4..20 mA	+3.00 to +20.90 mA	+3.10 to +21.00 mA	+3.00 to +21.00 mA

Correspondence table for user set upper or lower limit and output value at communication error and idling (E.O./W.S.)

(Data format: other than scale conversion format)

Range	Value (Offset Binary Signed Magnitude 2's Complement)	Expected value
0..10 V	0 to 1050	0.00 to +10.50 V
0..5 V	0 to 525	0.00 to +5.25 V
1..5 V	75 to 525	+0.75 to +5.25 V
0..20 mA	0 to 2100	0.00 to +21.00 mA
4..20 mA	300 to 2100	+3.00 to +21.00 mA

*: When the data format is a type other than scale conversion, input the required voltage or current x 100 in decimal system.

*: If the data format is scaled data format, set the data as follows, regardless of the range setting.

Correspondence table for user set upper or lower limit and output value at communication error and idling (E.O./W.S.)

(Data format: scale conversion format)

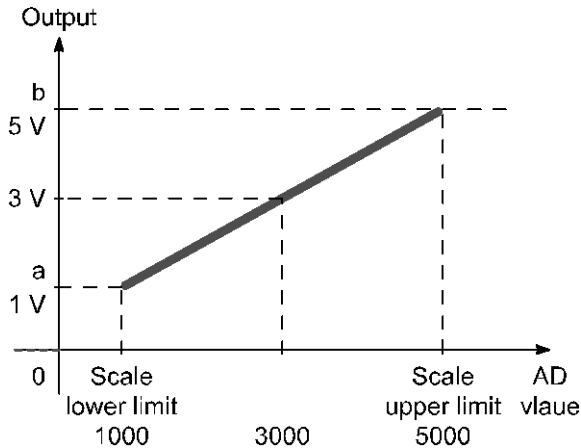
E.O. set value	W.S. set value	Expected value
0 to 32767	0 to 32767	+0 to +32767
32768 to 65535	-0 to -32767	-0 to -32767

Scaled data format

Function to set any value between "-32767 to 32767" as the AD value for I/O signal range. Resolution is determined by specifying the upper and lower scale limit.

$$\text{Resolution} = \frac{\text{Upper limit value of the range} - \text{Lower limit value of the range}}{\text{Upper limit value of the scale} - \text{Lower limit value of the scale}}$$

Example: when the range is 1 to 5 V output



- (1) Set the range to 1 to 5 V.
- (2) When the upper limit of the scale is set to 5000, and the lower limit of the scale is set to 1000, the result will be as follows.
 - 1000...1 V output
 - 2000...2 V output
 - 3000...3 V output
 - 4000...4 V output
 - 5000...5 V output
- (3) The resolution from 1 to 5 V is 1/1000 based on the calculation.

$$(5 \text{ V} - 1 \text{ V}) / (5000 - 1000) = 1/1000$$

Scale set value (AD value)		Input/Output signal range (a to b)				
	Decimal number	Voltage [V]			Current [mA]	
		0 to 10	1 to 5	0 to 5	0 to 20	4 to 20
Scale upper limit	-32766 to 32767	10	5	5	20	20
Scale lower limit	-32767 to 32766	0	1	0	0	4

*: If the data format is scaled data format, set the data as follows, regardless of the range setting.

Correspondence table for scale upper or lower limit and output value at communication error and idling (E.O./W.S.)

(Data format: scale conversion format)

E.O. set value	W.S. set value	Expected value
0 to 32767	0 to 32767	+0 to +32767
32768 to 65535	-0 to -32767	-0 to -32767

Example: To set the Fault Value to 4 V when the range is 1 to 5 V (analogue output range), scale upper limit 5000, and scale lower limit 1000, set 4000 to Fault Value using the PLC.

•IO-Link master unit parameters

No.	Parameter	Definition	Item	Content	Default setting	Parameter setting range
1	Process Data Mapping	Define the process data size of each port of the IO-Link master, which is occupied by the EtherNet/IP communication.	2/2/2/2 byte	I/O size of port 1 to 4: 2 byte/2 byte for each	○	Unit
			4/4/4/4 byte	I/O size of port 1 to 4: 4 byte/4 byte for each		
			8/8/8/8 byte	I/O size of port 1 to 4: 8 byte/8 byte for each		
			16/16/2/2 byte	I/O size of port 1 and 2: 16 byte/16 byte for each I/O size of port 3 and 4: 2 byte/2 byte for each		
			32/2/2/2 byte	I/O size of port 1: 32 byte/32 byte each I/O size of port 2 to 4: 2 byte/2 byte for each		
2	InOut Byte Swap *1	Swap the byte order of the process data, which is sent and received between EtherNet/IP communication and IO-Link master.	direct	Data order is not swapped.	○	Unit
			swap 16 bit	Swap in the word unit.		
			swap 32 bit	Swap in the double word unit.		
			swap All	Swap all bytes.		
3	Short Circuit Monitor	Either of the following detects the short-circuit, diagnostics is generated. •L+ power supply •C/Q signal •P24 power supply	Enable	Diagnostics is generated.	○	Unit
			Disable	Diagnostics is not generated.		
4	Output setting during Communication Fault (IO-Link) *2	Set the IO-Link communication process data output when the EtherNet/IP communication error is occurred.	Clear/ PD Out valid	All outputs are turned OFF while maintaining the process data output valid.		Unit
			Hold	Maintain the process data output that the IO-Link master finally receives while maintaining the process data output valid.		
			Clear/ PD Out invalid	All outputs are turned OFF while maintaining the process data output invalid.	○	

•IO-Link master unit parameters (continued)

No.	Parameter	Definition	Item	Content	Default setting	Parameter setting range
5	Output setting during Communication Fault (DO_C/Q)	Set the digital output signal when an EtherNet/IP communication error is occurred.	Clear	Turn OFF the digital output.	○	Unit
			Hold	Maintain the digital output that the IO-Link master finally receives.		
			Force ON	Turn ON the digital output.		
6	Output setting during Communication Idle (IO-Link)	Set the IO-Link communication process data output when the EtherNet/IP communication is idling.	Clear/ PD Out valid	All outputs are turned OFF while maintaining the process data output valid.		Unit
			Hold	Maintain the process data output that the IO-Link master finally receives while maintaining the process data output valid.		
			Clear/ PD Out invalid	All outputs are turned OFF while maintaining the process data output invalid.	○	
7	Output setting during Communication Idle (DO_C/Q)	Set the digital output signal when EtherNet/IP communication is idling.	Clear	Turn OFF the digital output.	○	Unit
			Hold	Maintain the digital output that the IO-Link master finally receives.		
			Force ON	Turn ON the digital output.		
8	PortMode	Set the operation mode of each port.	Deactivated	Deactivate the port.	○	Channel
			IOL_Manual	Start-up IO-LINK communication based on the IO-Link device comparison function.		
			IOL_Autostart	Start up the IO-Link communication instead of comparing IO-Link device.		
			DI_C/Q	Digital input only.		
			DO_C/Q	Digital output only.		

•IO-Link master unit parameters (continued)

No.	Parameter	Definition	Item	Content	Default setting	Parameter setting range
9	Validation & Backup *3	Set the function of the comparison function (comparison of vendor ID and device ID) of the connected device and data storage (DS).	No Device Check	Comparison function: invalid DS function: invalid	○	Channel
			Type compatible Device V1.0	Connected device: V1.0 Comparison function: valid DS function: invalid		
			Type compatible Device V1.1	Connected device: V1.1 Comparison function: valid DS function: invalid		
			Type compatible Device V1.1, Backup+Restore	Connected device: V1.1 Comparison function: valid DS function: Valid (Backup & restore)		
			Type compatible Device V1.1, Restore	Connected device: V1.1 Comparison function: valid DS function: valid (for restore only)		
10	PortCycle Time	Set the IO-Link device and communication cycle time in the following range. 0.4-6.3 ms (by 0.1 ms) 6.4-31.6 ms (by 0.4 ms) 32-132.8 ms (by 1.6 ms)	0 to 255	0: Automatic setting 1 to 255: 0.4 to 132.8 ms	0	Channel
11	VendorID	Set the vendor ID which is compared when the IO-Link device comparison function is valid.	0x0001 to 0xFFFF	Set the vendor ID of the device to be connected.	0x0001	Channel
12	DeviceID	Set the device ID which is compared when the IO-Link device comparison function is valid.	0x000001 to 0xFFFFFFFF	Set the device ID of the device to be connected.	0x000001	Channel
13	L+Control *4	Turn ON/OFF the L+ power supply.	ON	Turn ON the L+ power supply.	○	Channel
			OFF	Turn OFF the L+ power supply.		

*1: The available byte swap parameters vary depending on the process data of the device to be connected. Refer to I/O byte swap function (page 77) for details.

*2: Refer to Output setting / IO-LINK communication mode when the EtherNet/IP communication error is generated or idling (page 77) for difference in operation of the connected device due to difference in setting.

*3: Valid when the IO-Link port operation mode is in "IOL_Manual".

*4: This function supports EX600-LBB1 only.

Output setting / IO-LINK communication mode when the EtherNet/IP communication error is generated or idling

When the EtherNet/IP communication is abnormal or idling, the connected device will operate as follows based on the IO-Link master setting.

IO-Link master setting (Output setting when master communication is abnormal or is idling)		Operation of the connected device
Setting item	Details	
Clear/PD Out valid	All outputs are turned OFF while maintaining the process data output valid.	Output is cleared.
Hold	Maintain the process data output that the IO-Link master finally receives from the master while maintaining the process data output valid.	Output is held.
Clear/PD Out invalid	All outputs are turned OFF while maintaining the process data output invalid.	Based on the output setting function when the IO-Link communication error is generated.

I/O byte swap function

•Data construction in each setting

The data construction of each parameter of the byte swap function is as follows based on the connected device process data size and the mapping size of the master communication process data.

When the process data size of the connected device and mapping size of the master communication process data are identical

(E.g.: connected device process data size: 8-byte, mapping size: 8-byte)

Parameter	Data construction
direct	0x0123 4567 89AB CDEF
swap 16bit	0x2301 6745 AB89 EFCD
swap 32bit	0x6745 2301 EFCD AB89
swap All	0xEFCD AB89 6745 2301

*: When the mapping size is 2-byte, even though the swap is set to 32bit, the byte will not be swapped.

When the process data size of the connected device and mapping size of the master communication process data are different

(E.g.: connected device process data size: 10-byte, mapping size: 16-byte)

Parameter	Data construction
direct	0x0123 4567 89AB CDEF GHIJ 0000 0000 0000
swap 16bit	0x2301 6745 AB89 EFCD IJGH 0000 0000 0000
swap 32bit	0x6745 2301 EFCD AB89 0000 IJGH 0000 0000
swap All	0x0000 0000 0000 IJGH EFCD AB89 6745 2301

*: When the mapping size is 2-byte, even though the swap is set to 32bit, the byte will not be swapped.

*: When the mapping size of the master connection process data and the process data size of the connected device are different, swap the byte including the blank byte zero.

Port cycle time setting

The communication cycle time automatically sets the port cycle time, or it sets in the range of 0.4 ms to 132.8 ms with the value of 0 to 255.

Note) The settable minimum cycle time varies depending on the IO-Link device minimum cycle time, communication speed and process data size. In case of automatic setting or when the value is set to the minimum value or less, the actual cycle time will be the minimum settable value.

Value	Setting range
0	Based on the automatic setting (device minimum cycle time).
1 to 3	0.4 ms
4 to 63	0.4 ms to 6.3 ms (by 0.1 ms)
64 to 127	6.4 ms to 31.6 ms (by 0.4 ms)
128 to 191	32.0 ms to 132.8 ms (by 1.6 ms)
192 to 255	132.8 ms

Values are calculated based on the following calculation.

Bit line

Bit								Details
7	6	5	4	3	2	1	0	
Time base		Multiplier						Bit 0 to 5: Multiplier (000000 to 111111) Bit 6 to 7: time base (00, 01, 10)

Calculation condition

Time base	Time base value	Calculation	Cycle time
00	0.1 ms	Multiplier x Time base	0.4 ms to 6.3 ms
01	0.4 ms	6.4 ms + multiplier x Time base	6.4 ms to 31.6 ms
10	1.6 ms	32.0 ms + multiplier x Time base	32.0 ms to 132.8 ms

Data storage function

When the IO-Link port operation mode is set to "IOL_Manual", and in addition to this, when Validation & Backup is set to "Type compatible, Device V1.1, Backup + Restore" or "Type compatible, Device V1.1, Restore", the data storage function is available.

- Outline of backup or re-storage

The parameter set data in each IO-Link device can be stored (referred to as "backup") in the IO-Link master. When the IO-Link device is replaced with a device with the same model, it is possible to set parameter data, which has been backed up in the IO-Link master, can be transferred from the IO-Link master to the IO-Link device (referred to as "restore").

- Condition of the backup / restore operation when the IO-Link communication starts up

The data storage function operation will be as follows based on the condition of the data storage of the IO-Link master and parameter change of the IO-Link device.

Validation & Backup set value	Condition			Data storage operation
	Data storage function	Backup requirement from the device	Checksum of the data storage and device parameter	
No Device Check	-	-	-	Cleared
Type compatible, Device V1.0	-	-	-	Cleared
Type compatible, Device V1.1	-	-	-	Cleared
Type compatible, Device V1.1, Backup + Restore	Data exists	Required	-	Backup
	Data exists	No requirement	Not identical	Restore
	Data exists	Required	Identical	Nothing occurs
	No data	-	-	Backup
Type compatible, Device V1.1, Restore	Data exists	-	Not identical	Restore
	Data exists	-	Identical	Nothing occurs
	No data	-	-	Nothing occurs

Note 1) When the vendor ID or device ID are changed, the data storage will be cleared.

Note 2) When the IO-Link port operation mode is changed to a setting other than "IOL_Manual", Validation & Backup values are automatically changed to "No Device Check". Therefore, the data storage is cleared.

I/O Map

Allocated input and output bytes of each unit type

Allocated input and output size is changable according to the diagnosis setting and connected EX600 unit type. The allocated input and output bytes for each EX600 unit are shown below.

Unit	Unit part number	Allocated bytes	
		Input	Output
SI unit	EX600-SEN3 / 4 (32 outputs)	0	4
	EX600-SEN3 / 4 (32 outputs) (with diagnostic data)	4	4
Digital input unit	EX600-DX#B (8 inputs)	1	0
	EX600-DX#C (8 inputs)	1	0
	EX600-DX#C1 (8 inputs) (with open circuit detection)	1	0
	EX600-DX#D (16 inputs)	2	0
	EX600-DX#E (16 inputs)	2	0
	EX600-DX#F (16 inputs)	2	0
Digital output unit	EX600-DY#B (8 outputs)	0	1
	EX600-DY#E (16 outputs)	0	2
	EX600-DY#F (16 outputs)	0	2
Digital I/O unit	EX600-DM#E (8 inputs/8 outputs)	1	1
	EX600-DM#F (8 inputs/8 outputs)	1	1
Analogue input Unit	EX600-AXA (2 channels)	4 (2 bytes per channel)	0
Analogue output Unit	EX600-AYA (2 channels)	0	4 (2 bytes per channel)
Analogue I/O Unit	EX600-AMB (2/2 channels)	4 (2 bytes per channel)	4 (2 bytes per channel)
IO-Link master Class A	EX600-LAB1	44	44
IO-Link master Class B	EX600-LBB1	44	44

I/O map example

EX600 I/O data is mapped from unit 0 in order, and when the diagnostics is valid, the diagnostic data is mapped on top of the input data. At the same time, when the I/O data size is set, the following precautions should be followed.

- The minimum data size is 2 bytes for both input and output. When the data size total is 0 or 1 byte, padding data is added and the data size will be 2 bytes.
- When the input or output data size is odd, padding data of 1 byte is added, which will make the byte count even.
- Maximum of IO-Link master units can be connected. When 5 ore more master units are connected, an SI unit diagnostic error is generated.

The I/O map is shown with the following unit configuration as an example.

<Example 1>

	Unit 0	Unit 1	
End plate	DY#B Digital output unit 1 byte output	SEN3 SI unit 4 bytes output	Valve

Input data: None

Output data: (Unit 0) Digital output unit (EX600-DY#B): 1 byte occupied
(Unit 1) SI unit (EX600-SEN3): 4 bytes occupied

•When Diagnostic mode 0 is selected

Input data		Output data		
Byte 0	Padding data	Byte 0	DY#B (Unit 0)	Output 0 to 7
Byte 1		Byte 1		Output 0 to 7
Byte 2		Byte 2		Output 8 to 15
Byte 3		Byte 3		Output 16 to 23
Byte 4		Byte 4		Output 24 to 31
Byte 5		Byte 5	Padding data	
Total	2 bytes	Total	6 bytes	

•When Diagnostic mode 1 is selected

Input data		Output data		
Byte 0	Diagnostic data byte0	Byte 0	DY#B (Unit 0)	Output 0 to 7
Byte 1	Diagnostic data byte1	Byte 1		Output 0 to 7
Byte 2	Diagnostic data byte2	Byte 2		Output 8 to 15
Byte 3	Diagnostic data byte3	Byte 3		Output 16 to 23
Byte 4		Byte 4		Output 24 to 31
Byte 5		Byte 5	Padding data	
Total	4 bytes	Total	6 bytes	

<Example 2>

	Unit 0	Unit 1	Unit 2	Unit 3	Unit 4	Unit 5	
End plate	AXA	DY#B	DY#B	DX#B	DX#D	SEN3	Valve
	Analogue input	Digital output	Digital output	Digital input	Digital input	SI unit	
	4 byte Input	1 byte Output	1 byte Output	1 byte Input	2 byte Input	4 byte Output	

Input data: (Unit 0) Analogue input unit (EX600-AXA): 4 bytes occupied
 (Unit 3) Digital input unit (EX600-DX#B): 1 byte occupied
 (Unit 4) Digital input unit (EX600-DX#D): 2 bytes occupied

Output data: (Unit 1) Digital output unit (EX600-DY#B): 1 byte occupied
 (Unit 2) Digital output unit (EX600-DY#B): 1 byte occupied
 (Unit 5) SI unit (EX600-SEN3): 4 bytes occupied

•When Diagnostic mode 0 and byte order of analogue value (**LSB-MSB**) are selected. *1

Input data			Output data		
Byte 0	AXA channel 0 (Unit 0)	Lo byte	Byte 0	DY#B (Unit 1)	Output 0 to 7
Byte 1		Hi byte	Byte 1	DY#B (Unit 2)	Output 0 to 7
Byte 2	AXA channel 1 (Unit 0)	Lo byte	Byte 2	SEN3 (Unit 5)	Output 0 to 7
Byte 3		Hi byte	Byte 3		Output 8 to 15
Byte 4	DX#B (Unit 3)	Input 0 to 7	Byte 4		Output 16 to 23
Byte 5	DX#D (Unit 4)	Input 0 to 7	Byte 5		Output 24 to 31
Byte 6		Input 8 to 15	Byte 6		
Byte 7	Padding data		Byte 7		
Total	8 bytes		Total	6 bytes	

•When Diagnostic mode 0 and byte order of analogue value (**MSB-LSB**) are selected. *1

Input data			Output data		
Byte 0	AXA channel 0 (Unit 0)	Hi byte	Byte 0	DY#B (Unit 1)	Output 0 to 7
Byte 1		Lo byte	Byte 1	DY#B (Unit 2)	Output 0 to 7
Byte 2	AXA channel 1 (Unit 0)	Hi byte	Byte 2	SEN3 (Unit 5)	Output 0 to 7
Byte 3		Lo byte	Byte 3		Output 8 to 15
Byte 4	DX#B (Unit 3)	Input 0 to 7	Byte 4		Output 16 to 23
Byte 5	DX#D (Unit 4)	Input 0 to 7	Byte 5		Output 24 to 31
Byte 6		Input 8 to 15	Byte 6		
Byte 7	Padding data		Byte 7		
Total	8 bytes		Total	6 bytes	

*1: Refer to "Parameter Setting" (page 58) for setting the byte order of analogue value.

<Example 3>

	Unit 0	Unit 1	Unit 2	Unit 3	Unit 4	
End plate	DX#B	DY#B	LAB1	LBB1	SEN3	Valve
	Digital input	Digital input	IO-Link Class A	IO-Link Class B	SI unit	
	1 byte Input		44 byte Input	44 byte Input		
		1 byte Output	44 byte Output	44 byte Output	4 byte Output	

Input date: (Unit 0) Digital input unit (EX600-DX#B): 1 byte occupied
 (Unit 2) IO-Link master unit (EX600-LAB1): 44 byte occupied
 (Unit 3) IO-Link master unit (EX600-LBB1): 44 byte occupied

Output date: (Unit 1) Digital output unit (EX600-DY#B): 1 byte occupied
 (Unit 2) IO-Link master unit (EX600-LAB1): 44 byte occupied
 (Unit 3) IO-Link maser unit (EX600-LBB1): 44 byte occupied
 (Unit 4) SI unit (EX600-SEN3-X80): 4 byte occupied

•When Diagnostic mode 0

Input data			Output data		
Byte 0	DX□B (Unit 3)	Input 0 to 7	Byte 0	DY□B (Unit 1)	Output 0 to 7
Byte 1	LAB1 (Unit 1)	Process data	Byte 1	LAB1 (Unit 1)	Process data
:			:		
Byte 44			Byte 44		
Byte 45	LBB1 (Unit 3)	Process data	Byte 45	LBB1 (Unit 3)	Process data
:			:		
Byte 88			Byte 88		
Byte 89	Padding data (0)		Byte 89	SEN3 (Unit5)	Output 0 to 7
Byte 90			Byte 90		Output 8 to 15
Byte 91			Byte 91		Output 16 to 23
Byte 92			Byte 92		Output 24 to 31
Byte 93			Byte 93	Padding data	
Total	90 byte		Total	94 byte	

Details of I/O map of the IO-Link master unit

I/O map of the IO-Link master unit is described below. (Common for EX600-LAB1 and EX600-LBB1)

	Input								Output							
	Bit 7		X4		X2		X4		Bit 7		Y4		Y4		Bit 0	
Byte 0	X2	X4	X2	X4	X2	X4	X2	X4	-	Y4	-	Y4	-	Y4	-	Y4
	Port 4		Port 3		Port 2		Port 1		Port 4		Port 3		Port 2		Port 1	
Byte 1	Reserved (fixed value: 0)								Reserved (fixed value: 0)							
Byte 2 ⋮ Byte 39	Input process data Process data is assigned to each port based on the process data mapping size setting								Output process data Process data is assigned to each port based on the process data mapping size setting							
Byte 40	Port 1 status (PQI)								Reserved (fixed value: 0)							
Byte 41	Port 2 status (PQI)								Reserved (fixed value: 0)							
Byte 42	Port 3 status (PQI)								Reserved (fixed value: 0)							
Byte 43	Port 4 status (PQI)								Reserved (fixed value: 0)							

*: X2: Input signal of Pin No.2

X4: Input signal of Pin No.4 when the IO-Link port operation mode is set to digital input mode (DI_C/Q)

Y4: Output signal of Pin No.4 when the IO-Link port operation mode is set to digital output mode (DO_C/Q)

*: The process data size of the master unit port is fixed to 32 bytes input / 32 bytes output.

*: When connecting to the EtherNet/IP compatible SI unit, 44 bytes are occupied for the master communication memory (the bytes in 38 bytes of the process data to which no I/O is assigned is fixed to 0).

•Port status (PQI) details

	Bit 7	Bit 6	Bit 5	Bit 4	Bit 3	Bit 2	Bit 1	Bit 0
Byte n	PQ	Dev-Err	Dev-Com	DSSstatus	CQ-Short	Pwr-Short	PDmapping-Mismatch	ID-Mismatch

Bit	Description	Details	Value
0	ID-Mismatch	Connection device matching error	0: Match 1: Mismatch
1	PDmapping-Mismatch	Process data mapping size error *1	0: Set size or less 1: Exceeding size
2	PwrShort	L+ short circuit or P24 short circuit	0: No short circuit 1: Short circuited
3	CQShort	C/Q short circuit	0: No short circuit 1: Short circuited
4	DSSstatus	Data storage (DS) saved	0: DS saved data error, no DS data 1: DS saved data is valid
5	DevCom	Port communication status	0: Device not connected 1: Operation or preparation
6	DevErr	Event (Device or master event status)	0: No event or notification 1: Warning or Error
7	PQ	Received input process data Valid (normal) / invalid (abnormal) *2	0: Invalid (abnormal) 1: Valid (normal)

*1: An error is detected when the process data size of the actually connected device exceeds the size which is set in the process data mapping.

*2: Process data is maintained when the received input process data is abnormal (Process Data Invalid).

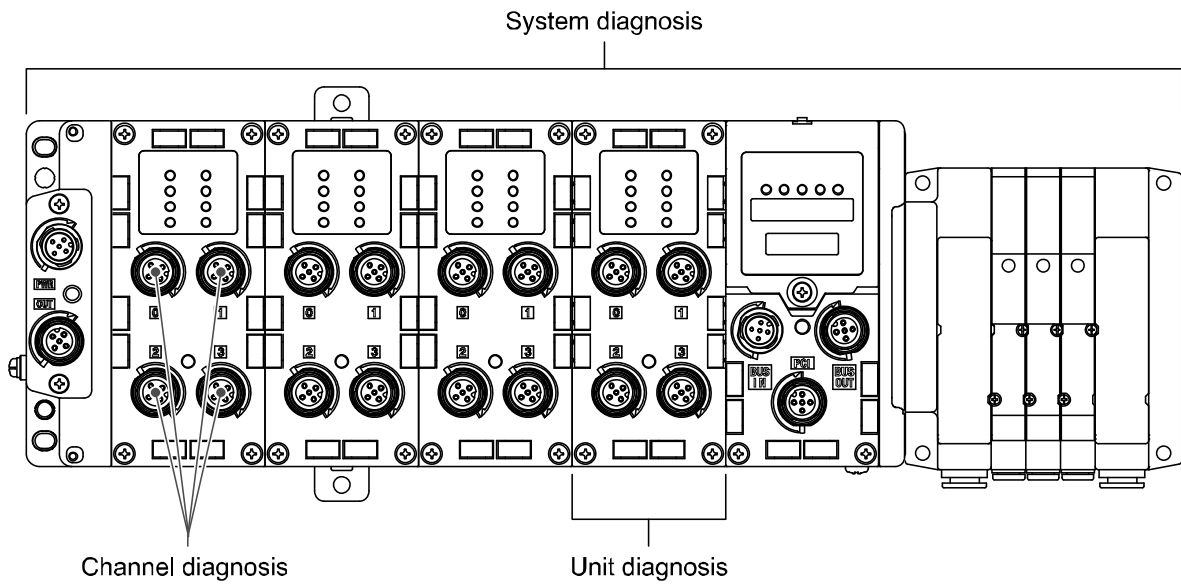
•A mapping example is shown below when the process data mapping is set to port 2 byte

	Input data								Output data							
Byte 0	X2	X4	X2	X4	X2	X4	X2	X4	-	Y4	-	Y4	-	Y4	-	Y4
	Port 4		Port 3		Port 2		Port 1		Port 4		Port 3		Port 2		Port 1	
Byte 1	(fixed value: 0)								(fixed value: 0)							
Byte 2	Port 1 process data								Port 1 process data							
Byte 3	Port 1 process data								Port 1 process data							
Byte 4	Port 2 process data								Port 2 process data							
Byte 5	Port 2 process data								Port 2 process data							
Byte 6	Port 3 process data								Port 3 process data							
Byte 7	Port 3 process data								Port 3 process data							
Byte 8	Port 4 process data								Port 4 process data							
Byte 9	Port 4 process data								Port 4 process data							
Byte 10 : Byte 39	(fixed value: 0)								(fixed value: 0)							
Byte 40	Port 1 status (PQI)								(fixed value: 0)							
Byte 41	Port 2 status (PQI)								(fixed value: 0)							
Byte 42	Port 3 status (PQI)								(fixed value: 0)							
Byte 43	Port 4 status (PQI)								(fixed value: 0)							

Diagnosis

By changing the diagnosis switch, the diagnostic data shown below is assigned to the head of input data of the I/O map. (Refer to "Setting and adjustment (page 19)" for setting the switch.)

Mode	Diagnostic data	Diagnostic size
0	No diagnostic data.	0 byte
1	System diagnosis + Unit diagnosis	4 bytes



■Details of diagnostic data

Diagnostic data

Byte	Bit No.	Diagnostic content
0	0	The analogue value has fallen below the user set value.
	1	The analogue value has exceeded the user set value.
	2	The analogue input value has fallen below the set range.
	3	The analogue input value has exceeded the set range.
	4	The ON/OFF counter has exceeded the set value.
	5	The open circuit has been detected.
	6	The short circuit of the valve output or digital output has been detected.
	7	The short circuit of the power supply for the input/output device has been detected.
1	0	The power supply voltage for output device is outside of the specification.
	1	The power supply voltage for control and input device is outside of the specification.
	2	Reserved
	3	There is a connection failure between each unit (During operation).
	4	There is a connection failure between each unit (When the power supply is applied).
	5	Reserved
	6	System error occurred.
	7	Hardware error occurred.
2	0	There is an error in unit 0.
	1	There is an error in unit 1.
	2	There is an error in unit 2.
	3	There is an error in unit 3.
	4	There is an error in unit 4.
	5	There is an error in unit 5.
	6	There is an error in unit 6.
	7	There is an error in unit 7.
3	0	There is an error in unit 8.
	1	There is an error in unit 9.
	2	Reserved
	3	Reserved
	4	Reserved
	5	Reserved
	6	Reserved
	7	Reserved

*: The data of diagnostic content: "0" means No error and "1" means Error.

■ Diagnosis of IO-Link master unit data

The EX600 IO-Link master unit secures the diagnostic function in each port, communication is performed with LED display and process data input (PQI) in accordance with the diagnostics.

The LED display, PQI and even code of each diagnostic are shown below.

Port diagnostics function	Details	Port LED status	PQI Bit No. (Description)	Event code
L+ short circuit detection	Pin No. 1-3 short circuit diagnostics	Red ON	2 (PwrShort)	0x1806
P24 short circuit detection	Pin No. 2-5 short circuit diagnostics	Red ON	2 (PwrShort)	0x180F
C/Q short circuit	Pin No. 1-4 or 3-4 short circuit diagnostics	Red ON	3 (CQShort)	0x1804 0x1813
Connected device matching error	When the port operation mode is IO-Link, the communication port in which "matching level of connected device" parameter is set to "Type Compatible" matches the registered Vendor ID, Device ID and the value read from the connected device, and if they are not matched, an error is diagnosed.	Green flashing	0 (ID Mismatch)	0x1803
Device process data mapping error *1	When the port operation mode is set to IO-Link, if a device in which the process data length is longer than the mapped data length is connected, it will be diagnosed as an error.	Green flashing	1 (PDmapping-Mismatch)	0x1F01
Device disconnection is detected *2	When the pin function / operation mode is set to IO-Link, device disconnection is detected.	Green flashing	5 (DevCom)	0x1800
P24 power supply reduction	Power supply reduction of class B type Pin No. 2-5 is diagnosed.	OFF (P24)	-	0x180E

*1: Under the mapping error, all of the process data input and output are zero.

*2: When Device disconnected is detected at port, all of the process data input is zero.

Note) Diagnostics other than the short circuit detection (L+, P24, C/Q) are not handled as the EX600 diagnostic data, so check for the LED display and PQI of the IO-Link master.

Hardware Configuration

■ EDS file and icon

EDS file is required to configure the EX600. Furthermore, icons are necessary for the display icon of the EX600 on the configure.

EDS file: ex600_sen_3_4_v10.eds

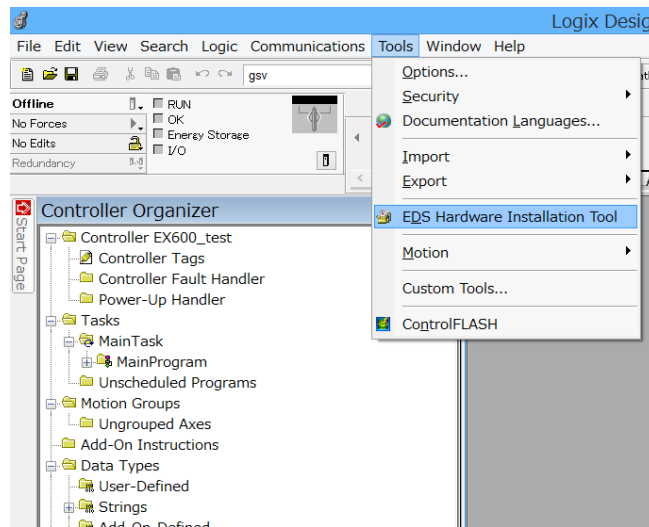
Icon: ex600_1.ico

■ Setting using Logix Designer™

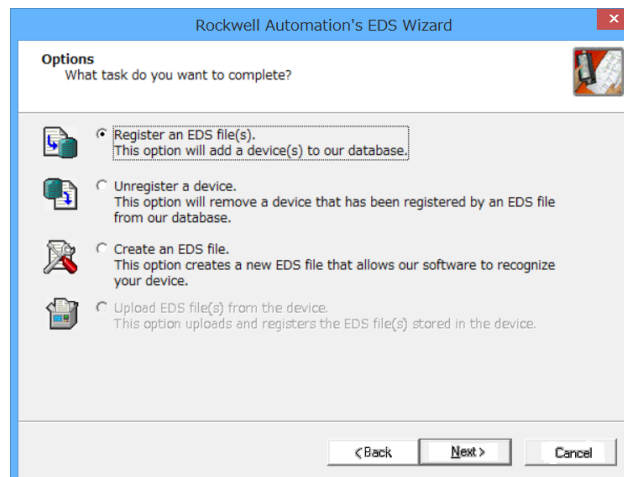
When connecting EX600 series, use Logix Designer™ software by Rockwell Automation. Refer to the manual of Logix Designer™ for a detailed manner of operation.

1. Example of setting using EDS file

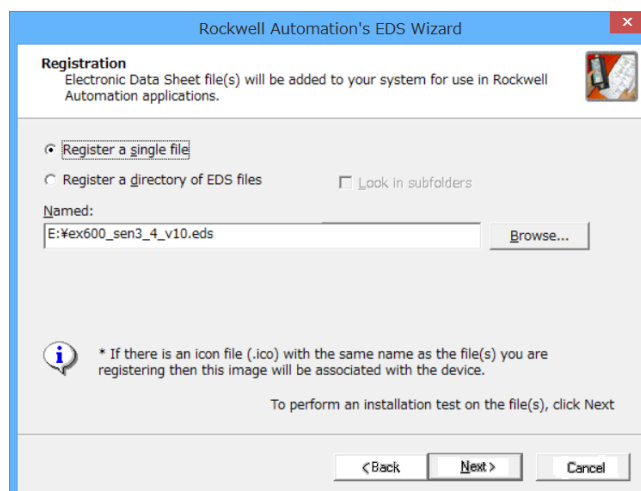
- Select [EDS Hardware Installation Tool] from the [Tools] menu.



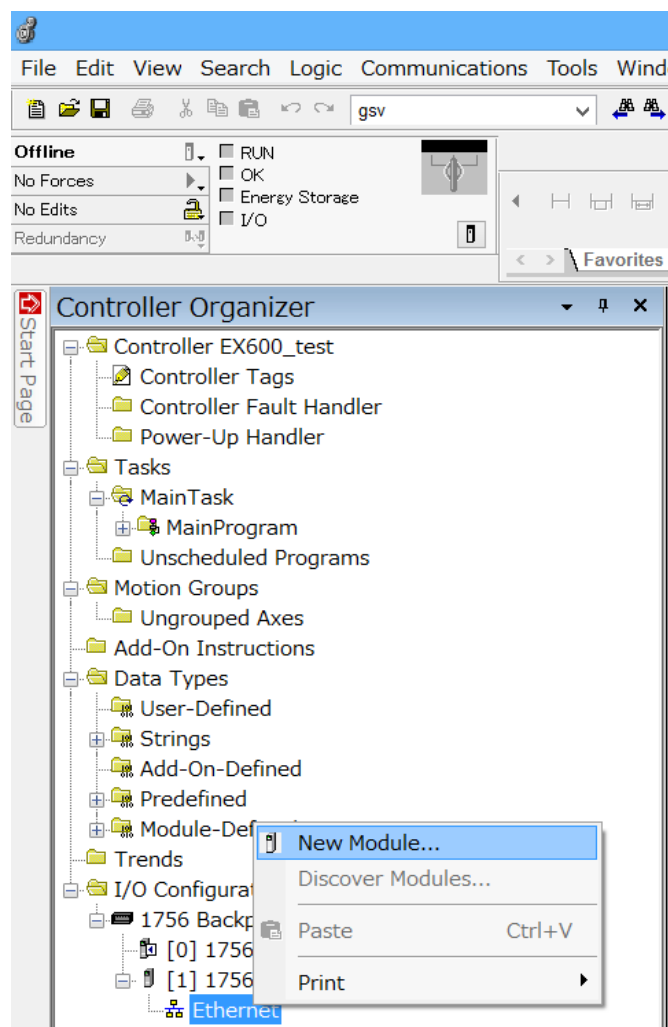
- Select [Register an EDS file(s)] from the [Options] menu. Then Select [Next].



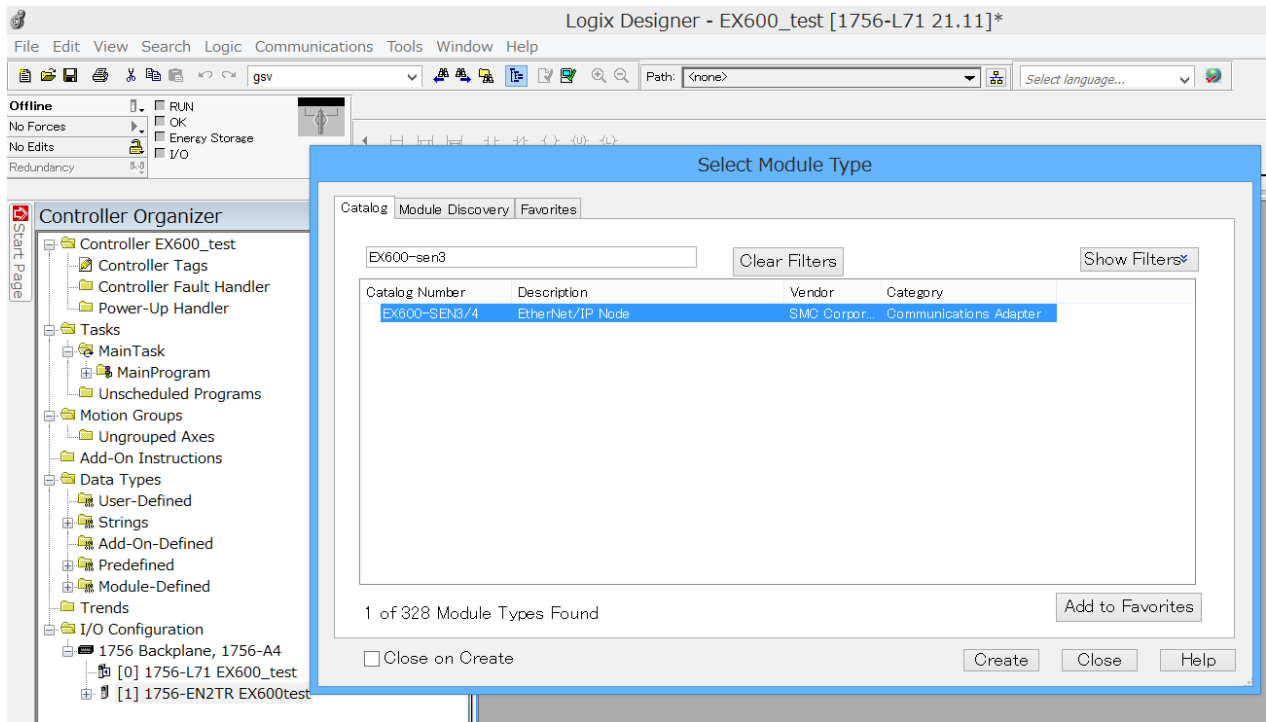
- Select the EDS file to be installed, and select [Next].



- Right-click on the selection [Ethernet] in the [I/O Configuration] folder, and select [New Module].

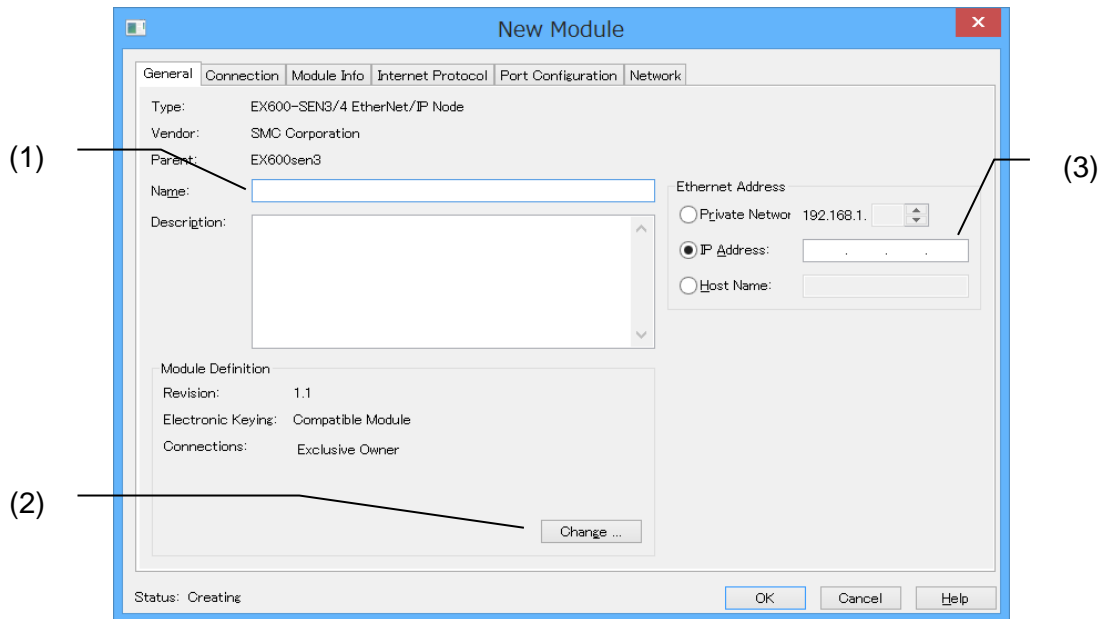


- The [Select Module Type] screen is displayed. Select [EX600-SEN3/4] and select [Create].



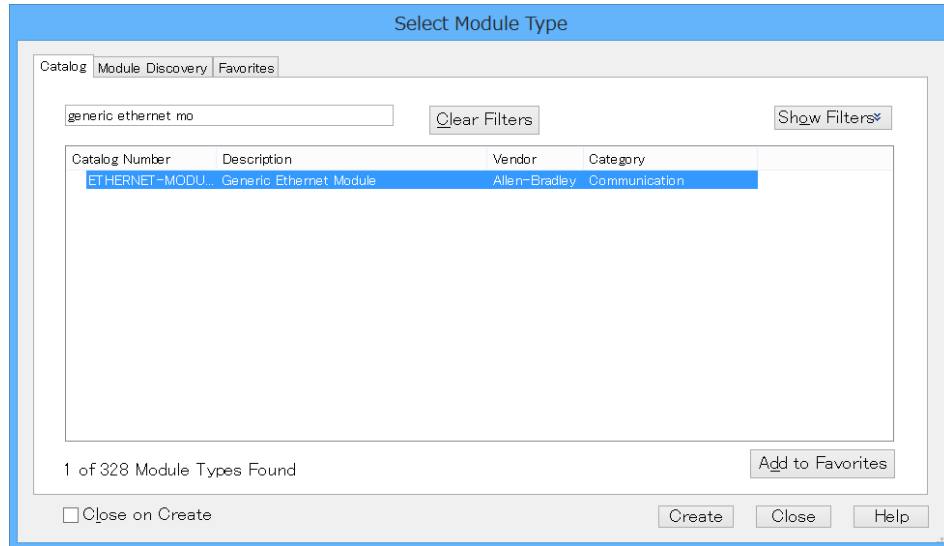
- When the [New Module] screen is displayed, input the information below.

- (1) Name: Enter the required unit name.
- (2) Module Description: Input/Output data size which is actually connected when the [Change] button is pressed.
- (3) IP Address: The IP address setting for the SI unit.



2. Example of setting using the Generic Ethernet Module

- Right-click on the selection [Ethernet] in the [I/O Configuration] folder, and select [New Module].
- The [Select Module Type] screen is displayed. Select [Generic Ethernet Module] and select [Create].



•The [Module Properties] screen is displayed, to perform setup.

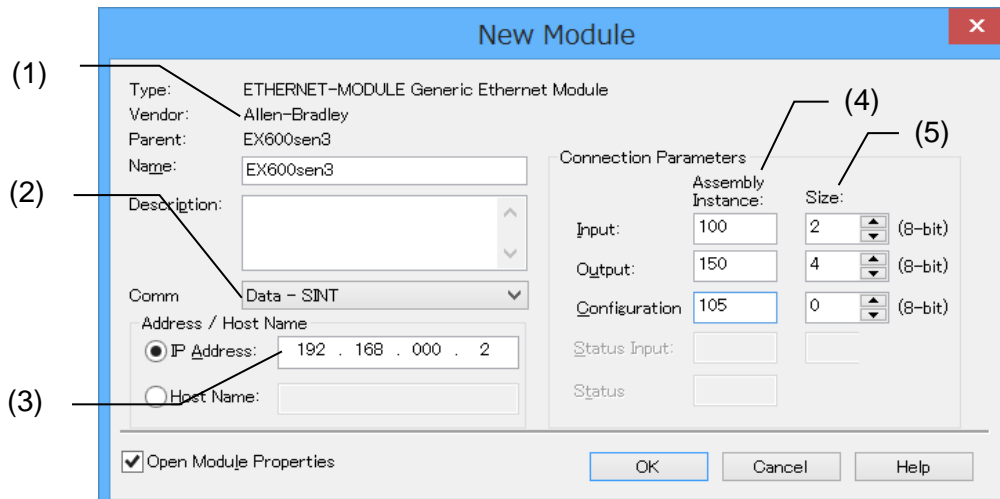
- (1) Name: Enter the required unit name.
- (2) Select the data format of Comm: Connection Parameters.
- (3) IP Address: Enter the IP address setting for the SI unit.
- (4) Assembly Instance: Perform setting as shown below.

Description	Decimal	
	"Data-INT"	"Data-SINT"
Common Format	"Data-INT"	"Data-SINT"
Input	100	100
Output	150	150
Configuration	105	105

(5) Size: Perform setting as shown below.

Description	Decimal	
	"Data-INT"	"Data-SINT"
Input *	MIN. 1 word MAX.110 words	MIN. 2 byte MAX.220 byte
Output *	MIN. 1 word MAX.110 words	MIN. 2 byte MAX.220 byte
Configuration	<ul style="list-style-type: none"> •When configuration assembly function is not used: Set to "0". •When using the configuration assembly function: According to unit part number and unit quantity, it needs to calculate the total configuration data size. If the total data size is not set correctly, EtherNet/IP communication can not be established. 	

*: Select the setting depending on the existence of diagnostic data and the unit type connected.



Configuration assembly

■Parameter setting of EX600 with configuration assembly

The Configuration assembly function enables PCL to send parameters to the EX600 under the EtherNet/IP communication connection.

*: This function may not be available due to the PLC type.

*: The settable data size in the configuration assembly is 456 bytes maximum.

•Unit ID list

Each unit has an individual unit ID. Describe the set value by specifying "the total number of Unit No. and parameter" and "Unit ID".

Unit IDs are described below.

Unit	Unit part number	Unit ID	Configuration data size [byte]
SI unit	EX600-SEN3-X80 (32 outputs)	9Bh	27
Digital input unit	EX600-DX#B (8 inputs)	01h	4
	EX600-DX#C (8 inputs)	03h	4
	EX600-DX#D (16 inputs)	05h	5
	EX600-DX#E (16 inputs)	14h	5
	EX600-DX#F (16 inputs)	16h	5
	EX600-DX#C1 (8 inputs)	0Dh	5
Digital output unit	EX600-DY#B (8 outputs)	08h	9
	EX600-DY#E (16 outputs)	18h	15
	EX600-DY#F (16 outputs)	1Ah	15
Digital I/O unit	EX600-DM#E (8 inputs / 8 outputs)	1Ch	10
	EX600-DM#F (8 inputs / 8 outputs)	1Eh	10
Analog input unit	EX600-AXA (2 inputs)	20h	14
Analog output unit	EX600-AYA (2 outputs)	22h	21
Analog I/O unit	EX600-AMB (2 inputs / 2 outputs)	23h	32
IO-Link unit	EX600-LAB1 (Class A)	3Bh	46
	EX600-LBB1 (Class B)	3Ch	46

- EtherNet/IP™ configuration assembly
- The Configuration data per unit type is described below.

Configuration format (EX600-SEN3-X80)

Byte	Bit	EX600-SEN3-X80 (27 byte)	
		Parameter	Setting value
0	0..3	Unit No.	0..9
	4..7	Parameter type	1
1	0..7	Unit ID	9B (Hex)
Unit parameter			
2	0	Reserved	0
	1	Monitor short circuit (Output)	0: disable, 1: enable
	2	Reserved	0
	3	Restart after short circuit	0: manual, 1: auto
	4	Power supply voltage monitor (Control/Input)	0: disable, 1: enable
	5	Power supply voltage monitor (Output)	0: disable, 1: enable
	6	Hold /Clear	0: Via switch, 1: Via parameter
	7	Reserved	0
Channel parameter – Channel 0 to 7			
3	0	(Ch0) Monitor count	0: disable, 1: enable
	~	~	~
	7	(Ch7) Monitor count	0: disable, 1: enable
4	0	(Ch0) Monitor open circuit	0: disable, 1: enable
	~	~	~
	7	(Ch7) Monitor open circuit	0: disable, 1: enable
5	0	(Ch0) Output setting during communication fault	0: hold, 1: depend on fault value
	~	~	~
	7	(Ch7) Output setting during communication fault	0: hold, 1: depend on fault value
6	0	(Ch0) Fault value	0: clear, 1: force ON
	~	~	~
	7	(Ch7) Fault value	0: clear, 1: force ON
7	0	(Ch0) Output setting during communication idle	0: hold 1: depend on idle value
	~	~	~
	7	(Ch7) Output setting during communication idle	0: hold 1: depend on idle value
8	0	(Ch0) Idle value	0: clear, 1: force ON
	~	~	~
	7	(Ch7) Idle value	0: clear, 1: force ON
Channel parameter – Channel 8 to 15			
9..14	0..7	See above	See above
Channel parameter – Channel 16 to 23			
15..20	0..7	See above	See above
Channel parameter – Channel 24 to 31			
21..26	0..7	See above	See above

Configuration format (EX600-DX#B/C)

Byte	Bit	EX600-DX#B/C (4 byte)	
		Parameter	Setting value
0	0..3	Unit No.	0..8
	4..7	Parameter type	1
1	0..7	Unit ID	EX600-DX#B: 01 (Hex) EX600-DX#C: 03 (Hex)
Unit parameter			
2	0	Monitor short circuit (power)	0: disable, 1: enable
	1	Reserved	0
	2	Inrush current filter	0: disable, 1: enable
	3	Reserved	0
	4..5	Input filtering time	0: 0.1 ms, 1: 1 ms, 2: 10 ms, 3: 20 ms
	6..7	Input extension time	0: 1 ms, 1: 15 ms, 2: 100 ms, 3: 200 ms
Channel parameter – Channel 0 to 7			
3	0	(Ch0 input) Monitor counter	0: disable, 1: enable
	~	~	~
	7	(Ch7 input) Monitor counter	0: disable, 1: enable

Configuration format (EX600-DX#C1)

Byte	Bit	EX600-DX#C1 (5 byte)	
		Parameter	Setting value
0	0..3	Unit No.	0..8
	4..7	Parameter type	1
1	0..7	Unit ID	EX600-DX#C1: 0D (Hex)
Unit parameter			
2	0	Monitor short circuit (power)	0: disable, 1: enable
	1	Reserved	0
	2	Inrush current filter	0: disable, 1: enable
	3	Reserved	0
	4..5	Input filtering time	0: 0.1 ms, 1: 1 ms, 2: 10 ms, 3: 20 ms
	6..7	Input extension time	0: 1 ms, 1: 15 ms, 2: 100 ms, 3: 200 ms
Channel parameter – Channel 0 to 7			
3	0	(Ch0 input) Monitor counter	0: disable, 1: enable
	~	~	~
	7	(Ch7 input) Monitor counter	0: disable, 1: enable
4	0	(Ch0 input) Monitor open circuit	0: disable, 1: enable
	~	~	~
	7	(Ch7 input) Monitor open circuit	0: disable, 1: enable

Configuration format (EX600-DX#D/E/F)

Byte	Bit	EX600-DX#D/E/F (5 byte)	
		Parameter	Setting value
0	0..3	Unit No.	0..8
	4..7	Parameter type	1
1	0..7	Unit ID	EX600-DX#D: 05 (Hex) EX600-DX#E: 14 (Hex) EX600-DX#F: 16 (Hex)
Unit parameter			
2	0	Monitor short circuit (power)	0: disable, 1: enable
	1	Reserved	0
	2	Inrush current filter	0: disable, 1: enable
	3	Reserved	0
	4..5	Input filtering time	0: 0.1 ms, 1: 1 ms, 2: 10 ms, 3: 20 ms
	6..7	Input extension time	0: 1 ms, 1: 15 ms, 2: 100 ms, 3: 200 ms
Channel parameter – Channel 0 to 7			
3	0	(Ch0 input) Monitor counter	0: disable, 1: enable
	~	~	~
	7	(Ch7 input) Monitor counter	0: disable, 1: enable
Channel parameter – Channel 8 to 15			
4	0	(Ch8 input) Monitor counter	0: disable, 1: enable
	~	~	~
	7	(Ch15 input) Monitor counter	0: disable, 1: enable

Configuration format (EX600-DY#B)

Byte	Bit	EX600-DY#B (9 byte)	
		Parameter	Setting value
0	0..3	Unit No.	0..8
	4..7	Parameter type	1
1	0..7	Unit ID	08 (Hex)
Unit parameter			
2	0	Reserved	0
	1	Monitor short circuit (out)	0: disable, 1: enable
	2	Reserved	0
	3	Restart after short circuit	0: manual, 1: auto
	4..7	Reserved	0
Channel parameter – Channel 0 to 7			
3	0	(Ch0 output) Monitor counter	0: disable, 1: enable
	~	~	~
	7	(Ch7 output) Monitor counter	0: disable, 1: enable
4	0	(Ch0 output) Monitor open circuit	0: disable, 1: enable
	~	~	~
	7	(Ch7 output) Monitor open circuit	0: disable, 1: enable
5	0	(Ch0 output) Output setting during communication Fault	0: hold 1: depend on fault value
	~	~	~
	7	(Ch7 output) Output setting during communication Fault	0: hold 1: depend on fault value
6	0	(Ch0 output) Fault value	0: clear, 1: ON
	~	~	~
	7	(Ch7 output) Fault value	0: clear, 1: ON
7	0	(Ch0 output) Output setting during communication idling	0: hold 1: depend on Idle value
	~	~	~
	7	(Ch7 output) Output setting during communication idling	0: hold 1: depend on Idle value
8	0	(Ch0 output) Idle value	0: clear, 1: ON
	~	~	~
	7	(Ch7 output) Idle value	0: clear, 1: ON

Configuration format (EX600-DY#E/F)

Byte	Bit	EX600-DY#E/F (15 byte)	
		Parameter	Setting value
0	0..3	Unit No.	0..8
	4..7	Parameter type	1
1	0..7	Unit ID	EX600-DY#E: 18 (Hex) EX600-DY#F: 1A (Hex)
Unit parameter			
2	0	Reserved	0
	1	Monitor short circuit (out)	0: disable, 1: enable
	2	Reserved	0
	3	Restart after output load short circuit	0: manual, 1: auto
	4..7	Reserved	0
Channel parameter – Channel 0 to 7			
3	0	(Ch0 output) Monitor counter	0: disable, 1: enable
	~	~	~
	7	(Ch7 output) Monitor counter	0: disable, 1: enable
4	0	(Ch0 output) Monitor open circuit	0: disable, 1: enable
	~	~	~
	7	(Ch7 output) Monitor open circuit	0: disable, 1: enable
5	0	(Ch0 output) Output setting during communication Fault	0: hold 1: depend on fault value
	~	~	~
	7	(Ch7 output) Output setting during communication Fault	0: hold 1: depend on fault value
6	0	(Ch0 output) Fault value	0: clear, 1: ON
	~	~	~
	7	(Ch7 output) Fault value	0: clear, 1: ON
7	0	(Ch0 output) Output setting during communication idling	0: hold 1: depend on Idle value
	~	~	~
	7	(Ch7 output) Output setting during communication idling	0: hold 1: depend on Idle value
8	0	(Ch0 output) Idle value	0: clear, 1: ON
	~	~	~
	7	(Ch7 output) Idle value	0: clear, 1: ON
Channel parameter – Channel 8 to 15			
9..14	0..7	See above	See above

Configuration format (EX600-DM#E/F)

Byte	Bit	EX600-DM#E/F (10 byte)	
		Parameter	Setting value
0	0..3	Unit No.	0..8
	4..7	Parameter type	1
1	0..7	Unit ID	EX600-DM#E: 1C (Hex) EX600-DM#F: 1E (Hex)
Unit parameter			
2	0	Monitor short circuit (power)	0: disable, 1: enable
	1	Monitor short circuit (out)	0: disable, 1: enable
	2	Inrush current filter	0: disable, 1: enable
	3	Restart after short circuit (Output)	0: manual, 1: auto
	4.5	Input filtering time	0: 0.1 ms, 1: 1 ms, 2: 10 ms, 3: 20 ms
	6..7	Input extension time	0: 1 ms, 1: 15 ms, 2: 100 ms, 3: 200 ms
Channel parameter – Channel 0 to 7			
3	0	(Ch0 input) Monitor counter	0: disable, 1: enable
	~	~	~
	7	(Ch7 input) Monitor counter	0: disable, 1: enable
4	0	(Ch0 output) Monitor counter	0: disable, 1: enable
	~	~	~
	7	(Ch7 output) Monitor counter	0: disable, 1: enable
5	0	(Ch0 output) Monitor open circuit	0: disable, 1: enable
	~	~	~
	7	(Ch7 output) Monitor open circuit	0: disable, 1: enable
6	0	(Ch0 output) Output setting during communication Fault	0: hold 1: depend on fault value
	~	~	~
	7	(Ch7 output) Output setting during communication Fault	0: hold 1: depend on fault value
7	0	(Ch0 output) Fault value	0: clear, 1: ON
	~	~	~
	7	(Ch7 output) Fault value	0: clear, 1: ON
8	0	(Ch0 output) Output setting during communication idling	0: hold 1: depend on Idle value
	~	~	~
	7	(Ch7 output) Output setting during communication idling	0: hold 1: depend on Idle value
9	0	(Ch0 output) Idle value	0: clear, 1: ON
	~	~	~
	7	(Ch7 output) Idle value	0: clear, 1: ON

Configuration format (EX600-AXA)

Byte	Bit	EX600-AXA (14 byte)	
		Parameter	Setting value
0	0..3	Unit No.	0..8
	4..7	Parameter type	1
1	0..7	Unit ID	20 (Hex)
Unit parameter			
2	0	Monitor short circuit	0: disable, 1: enable
	1..3	Reserved	-
	4	(Ch0&1 in) Monitor over range	0: disable, 1: enable
	5	(Ch0&1 in) Monitor under range	0: disable, 1: enable
	6..7	Data format	0: offset binary, 1: signed magnitude, 2: 2's complement
Channel parameter – Channel 0 to 1			
3	0..2	(Ch0 in) Analogue input range	0: -10..+10 V, 1: -5..+5 V, 2: -20..+20 mA, 3: 0..10 V, 4: 0..5 V, 5: 1..5 V, 6: 0..20 mA, 7: 4..20 mA
	3	Reserved	-
	4..6	(Ch1 in) Analogue input range	0: -10..+10 V, 1: -5..+5 V, 2: -20..+20 mA, 3: 0..10 V, 4: 0..5 V, 5: 1..5 V, 6: 0..20 mA, 7: 4..20 mA
	7	Reserved	-
4	0..1	(Ch0 in) Analogue average filter	0: None, 1: 2 value average, 2: 4 value average, 3: 8 value average
	2..3	Reserved	-
	4..5	(Ch1 in) Analogue average filter	0: None, 1: 2 value average, 2: 4 value average, 3: 8 value average
	6..7	Reserved	-
5	0	(Ch0 in) Monitor upper limit	0: disable, 1: enable
	1	(Ch1 in) Monitor upper limit	0: disable, 1: enable
	2..3	Reserved	-
	4	(Ch0 in) Monitor lower limit	0: disable, 1: enable
	5	(Ch1 in) Monitor lower limit	0: disable, 1: enable
	6..7	Reserved	-
6..7	0..7	(Ch0 in) Upper limit value	0 to 65535 (Low byte first)
8..9	0..7	(Ch0 in) Lower limit value	0 to 65535 (Low byte first)
10..11	0..7	(Ch1 in) Upper limit value	0 to 65535 (Low byte first)
12..13	0..7	(Ch1 in) Lower limit value	0 to 65535 (Low byte first)

Configuration format (EX600-AYA)

Byte	Bit	EX600-AYA (21byte)	
		Parameter	Setting value
0	0..3	Unit No.	0..8
	4..7	Parameter type	1
1	0..7	Unit ID	22 (Hex)
Unit parameter			
2	0	Monitor short circuit	0: disable, 1: enable
	1..5	Reserved	-
	6..7	Analogue data format	0: offset binary, 1: signed magnitude, 2: 2's complement, 3: Linear scaled,
Channel parameter – Channel 0 to 1			
3	0..2	(Ch0 out) Analogue output range	3: 0..10 V, 4: 0..5 V, 5: 1..5 V, 6: 0..20 mA, 7: 4..20 mA
	3	Reserved	-
	4..6	(Ch1 out) Analogue output range	0 to 3: 0..10 V, 4: 0..5 V, 5: 1..5 V, 6: 0..20 mA, 7: 4..20 mA
	7	Reserved	-
4	0	(Ch0 out) Output setting for communication fault	0: hold, 1: depend on fault value
	1	(Ch1 out) Output setting for communication fault	0: hold, 1: depend on fault value
	2	(Ch0 out) Monitor upper limit value	0:disable, 1:enable
	3	(Ch1 out) Monitor upper limit value	0:disable, 1:enable
	4	(Ch0 out) Output setting for communication idling	0: hold, 1: depend on Idle
	5	(Ch1 out) Output setting for communication idling	0: hold, 1: depend on Idle
	6	(Ch0 out) Monitor lower limit value	0:disable, 1:enable
	7	(Ch1 out) Monitor lower limit value	0:disable, 1:enable
5..6	0..7	(Ch0 out) Upper limit value	0 to 65535 (Low byte first)
7..8	0..7	(Ch0 out) Lower limit value	0 to 65535 (Low byte first)
9..10	0..7	(Ch0 out) Fault value	0 to 65535 (Low byte first)
11..12	0..7	(Ch0 out) Idle value	0 to 65535 (Low byte first)
13..14	0..7	(Ch1 out) Upper limit value	0 to 65535 (Low byte first)
15..16	0..7	(Ch1 out) Lower limit value	0 to 65535 (Low byte first)
17..18	0..7	(Ch1 out) Fault value	0 to 65535 (Low byte first)
19..20	0..7	(Ch1 out) Idle value	0 to 65535 (Low byte first)

Configuration format (EX600-AMB) Byte 0 to 6

Byte	Bit	EX600-AMB (32 byte)	
		Parameter	Setting value
0	0..3	Unit No.	0..8
	4..7	Parameter type	1
1	0..7	Unit ID	23 (Hex)
Unit parameter			
2	0	Monitor short circuit	0: disable, 1: enable
	1..3	Reserved	-
	4	(Ch0&1 in) Monitor over range	0: disable, 1: enable
	5	(Ch0&1 in) Monitor under range	0: disable, 1: enable
	6..7	Analogue data format	0: offset binary, 1: signed magnitude, 2: 2's complement, 3: linear scaled
Channel parameter – Channel 0 to 1			
3	0..2	(Ch0 in) Analogue input or output range	3: 0..10 V, 4: 0.5 V, 5: 1..5 V, 6: 0..20 mA, 7: 4..20 mA
	3	Reserved	-
	4..6	(Ch1 in) Analogue input or output range	3: 0..10 V, 4: 0.5 V, 5: 1..5 V, 6: 0..20 mA, 7: 4..20 mA
	7	Reserved	-
4	0..2	(Ch0 out) Analogue input or output range	0 to 3: 0..10 V, 4: 0.5 V, 5: 1..5 V, 6: 0..20 mA, 7: 4..20 mA
	3	Reserved	-
	4..6	(Ch1 out) Analogue input or output range	0 to 3: 0..10 V, 4: 0.5 V, 5: 1..5 V, 6: 0..20 mA, 7: 4..20 mA
	7	Reserved	-
5	0..3	(Ch0 in) Analogue average filter	0: None, 1: 2 value average, 2: 4 value average, 3: 8 value average,
	4..7	(Ch1 in) Analogue average filter	0: None, 1: 2 value average, 2: 4 value average, 3: 8 value average,
6	0	(Ch0 in) Monitor upper limit	0: disable, 1: enable
	1	(Ch1 in) Monitor upper limit	0: disable, 1: enable
	2..3	Reserved	-
	4	(Ch0 in) Monitor lower limit	0: disable, 1: enable
	5	(Ch1 in) Monitor lower limit	0: disable, 1: enable
	6..7	Reserved	-

Configuration format (EX600-AMB) Byte 7 to 31

Byte	Bit	EX600-AMB (32 byte)	
		Parameter	Setting value
7	0	(Ch0 out) Output setting for communication fault	0: hold, 1: depend on fault value
	1	(Ch1 out) Output setting during communication Fault	0: hold, 1: depend on fault value
	2	(Ch0 out) Monitor upper limit value	0:disable, 1:enable
	3	(Ch1 out) Monitor upper limit value	0:disable, 1:enable
	4	(Ch0 out) Output setting for communication idling	0: hold, 1: depend on Idle value
	5	(Ch1 out) Output setting for communication idling	0: hold, 1: depend on Idle value
	6	(Ch0 out) Monitor lower limit value	0:disable, 1:enable
	7	(Ch1 out) Monitor lower limit value	0:disable, 1:enable
8..9	0..7	(Ch0 in) Monitor upper limit value	0 to 65535 (Low byte first)
10..11	0..7	(Ch0 in) Monitor lower limit value	0 to 65535 (Low byte first)
12..13	0..7	(Ch0 out) Upper limit value	0 to 65535 (Low byte first)
14..15	0..7	(Ch0 out) Lower limit value	0 to 65535 (Low byte first)
16..17	0..7	(Ch0 out) Fault value	0 to 65535 (Low byte first)
18..19	0..7	(Ch0 out) Idle value	0 to 65535 (Low byte first)
20..21	0..7	(Ch1 in) Monitor upper limit value	0 to 65535 (Low byte first)
22..23	0..7	(Ch1 in) Monitor lower limit value	0 to 65535 (Low byte first)
24..25	0..7	(Ch1 out) Upper limit value	0 to 65535 (Low byte first)
26..27	0..7	(Ch1 out) Lower limit value	0 to 65535 (Low byte first)
28..29	0..7	(Ch1 out) Fault value	0 to 65535 (Low byte first)
30..31	0..7	(Ch1 out) Idle value	0 to 65535 (Low byte first)

Configuration format (EX600-LAB1 / EX600-LBB1) Byte 0 to 5

Byte	Bit	EX600-LAB1 / EX600-LBB1 (46 byte)	
		Parameter	Setting value
0	0..3	Unit No.	0..8
	4..7	Parameter type	1
1	0..7	Unit ID	EX600-LAB1:3B (Hex) EX600-LBB1:3C (Hex)
Unit parameter			
2	0	Monitor short circuit	0: disable, 1: enable
	1	Reserved	0
	2..3	Byte swap	0: direct, 1: 16 bit, 2: 32 bit, 3: all
	4..7	Reserved	0
3	0..1	Fault output (IO-Link)	0: Clear / PD Out valid 1: Hold 2: Clear / PD Out invalid
	2..3	Fault output (DO)	0: Clear 1: Hold 2: Force ON
	4..5	Idle output (IO-Link)	0: Clear / PD Out valid 1: Hold 2: Clear / PD Out invalid
	6..7	Idle output (DO)	0: Clear 1: Hold 2: Force ON
4	0..7	Process data mapping Port1/Port2/Port3/Port4 (Input and Output)	0: 2 / 2 / 2 / 2 1: 4 / 4 / 4 / 4 2: 8 / 8 / 8 / 8 3: 16 / 16 / 2 / 2 4: 32 / 2 / 2 / 2
5	0	L+ control – Port 1	0: L+ ON, 1: L+ OFF
	1	L+ control – Port 2	0: L+ ON, 1: L+ OFF
	2	L+ control – Port 3	0: L+ ON, 1: L+ OFF
	3	L+ control – Port 4	0: L+ ON, 1: L+ OFF
	4..7	Reserved	0

Configuration format (EX600-LAB1 / EX600-LBB1) Byte 6 to 45

Byte	Bit	EX600-LAB1 / EX600-LBB1 (46 byte)	
		Parameter	Setting value
PortConfig – Port 1			
6	0..7	PortMode	0: Deactivated 1: IOL_Manual 2: IOL_Autostart 3: DI_C/Q 4: DQ_C/Q
7	0..7	Validation&Backup	0: No Device Check 1: Type compatible Device V1.0 2: Type compatible Device V1.1 3: Type compatible Device V1.1, Backup+Restore 4: Type compatible Device V1.1,Restore
8	0..7	Reserved	0
9	0..7	PortCycleTime	0: Automatic setting 1 to 3: 0.4 ms 4 to 63: 0.4 to 6.3 ms (by 0.1 ms) 64 to 127: 6.4 ms to 31.6 ms (by 0.4 ms) 128 to 191: 32 ms to 132.8 ms (by 1.6 ms) 192 to 255: 132.8 ms
10	0..7	VendorID[0] (MSB)	Vendor ID for validation comparison
11	0..7	VendorID[1] (LSB)	
12	0..7	Reserved	0
13	0..7	DeviceID[0] (MSB)	Device ID for validation comparison
14	0..7	DeviceID[1]	
15	0..7	DeviceID[2] (LSB)	
PortConfig – Port 2			
16..25	0..7	See above	See above
PortConfig – Port 3			
26..35	0..7	See above	See above
PortConfig – Port 4			
36..45	0..7	See above	See above

■Parameter setting of IO-Link device with configuration assembly

The Configuration assembly function enables PCL to send parameters to the IO-Link device, which is connected to the IO-Link master, under the EtherNet/IP communication connection. Set the Index, subindex and data to be changed by specifying the Unit No., Unit ID and IO-Link port in accordance with the Operation Manual of the IO-Link device.

*: This function may not be available due to the PLC type.

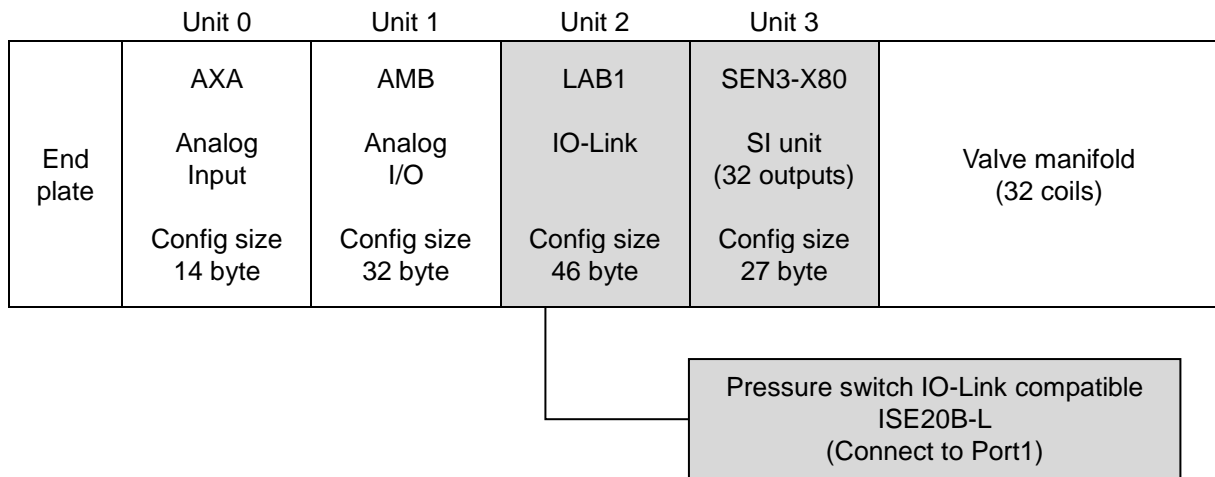
*: The settable data size in the configuration assembly is 456 bytes maximum.

Configuration format (EX600-LAB1 / EX600-LBB1)

Byte	Bit	EX600-LAB1 / EX600-LBB1	
		Parameter	Setting value
0	0..3	Unit No.	0..9
	4..7	Parameter type	2
1	0..7	Unit ID	EX600-LAB1: 3B (Hex) EX600-LBB1: 3C (Hex)
On-request Data			
2	0..7	Port	1..4
3	0..7	Number of Parameter	1..N
IO-Link Device_Parameter1			
4	0..7	Parameter1_Length	1..232
5	0..7	Parameter1_Index[0] (MSB)	Refer to the Operation Manual of the IO-Link Device
6	0..7	Parameter1_Index[1] (LSB)	Refer to the Operation Manual of the IO-Link Device
7	0..7	Parameter1_Subindex	Refer to the Operation Manual of the IO-Link Device
8	0..7	Parameter1_Data[0]	Refer to the Operation Manual of the IO-Link Device
..
..	0..7	Parameter1_Data[#] # relies on the data length	Refer to the Operation Manual of the IO-Link Device
IO-Link Device_Parameter2 (When the number of Parameter is 1, no setting is necessary for the data afterwards)			
..	..	Parameter2_Length	1..232
..	0..7	Parameter2_Index[0] (MSB)	Refer to the Operation Manual of the IO-Link Device
..	0..7	Parameter2_Index[1] (LSB)	Refer to the Operation Manual of the IO-Link Device
..	0..7	Parameter2_Subindex	Refer to the Operation Manual of the IO-Link Device
..	0..7	Parameter2_Data[0]	Refer to the Operation Manual of the IO-Link Device
..
..	0..7	Parameter1_Data[#] # relies on the data length	Refer to the Operation Manual of the IO-Link Device

■ Configuration assembly setting method example

The parameter setting for the manifold using Rockwell Automation Logix Designer™ is described below.



•Parameter setting devices

1. EX600-LAB1 (Unit 2)
2. EX600-SEN3-X80 (Unit 3)
3. ISE20B-L (Connect to IO-Link device, digital pressure switch and port 1 of unit 2)

(1) Preparation of configuration data

Prepare the following configuration data with reference to page 94 to 107. Refer to the Operation Manual of the IO-Link device for the index, subindex and set value required for setting the parameter of the IO-Link device.

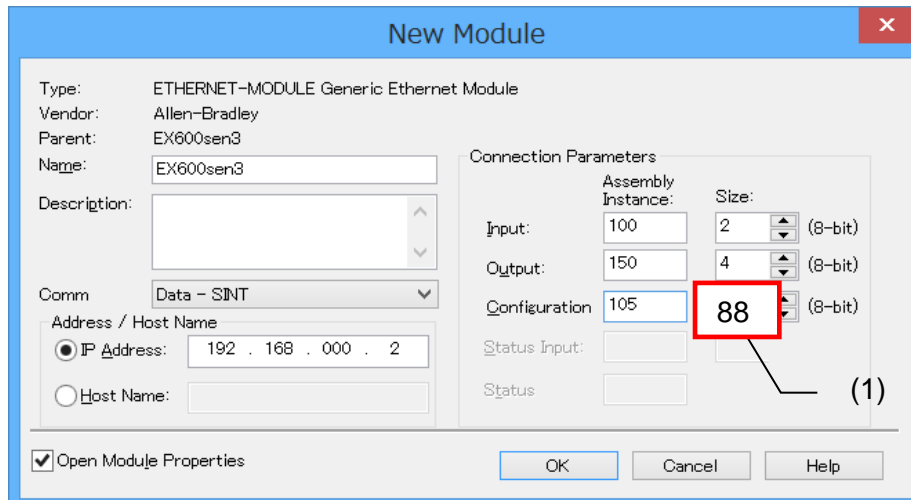
As shown in the following table, the configuration data size is 88 byte.

Applicable parameter setting	Byte	Parameter	Setting value	Notes
EX600-LAB1 (Unit2) Occupies 46 bytes	0	0x02 (Unit No.) + 0x10 (parameter type)	0x12	Total unit No. and parameter type
	1	Unit ID	0x3B	EX600-LAB1 ID
	2 to 5	Unit parameter		Unit parameter (Refer to page 105)
	6 to 15	Port config – Port 1		Port parameter (Refer to page 106)
	16 to 25	Port config – Port 2		
	26 to 35	Port config – Port 3		
	36 to 45	Port config – Port 4		
EX600-SEN3-X80 (Unit3) Occupies 27 bytes	46	0x03(Unit No.) + 0x10 (parameter type)	0x13	Total unit No. and parameter type
	47	Unit ID	0x9B	EX600-SEN3-X80 ID
	48	Unit parameter		Unit parameter (Refer to page 95)
	49 to 54	Channel parameter (CH0 to 7)		Channel parameter (Refer to page 95)
	55 to 60	Channel parameter (CH8 to 15)		
	61 to 66	Channel parameter (CH16 to 23)		
	67 to 72	Channel parameter (CH24 to 31)		
ISE20B-L (Connected to Port 1 of Unit 2) Occupied size varies depending on the number of parameters and parameter type	73	0x02 (Unit No.) + 0x20 (parameter type)	0x22	Total unit No. and parameter type
	74	Unit ID	0x3B	EX600-LAB1 ID
	75	Port No.	1	Port No. to which the IO-Link device is connected
	76	Number of Parameter: 1 to N	2	Number of parameters to be set
	77	Set value data size (Refer to Operation Manual of IO-Link device)	1	1 byte
	78 to 79	Parameter1_Index (Refer to Operation Manual of IO-Link device)	0x03E8	Setting of pressure display unit
	80	Parameter1_Subindex (Refer to Operation Manual of IO-Link device)	0	
	81	Set value (Refer to Operation Manual of IO-Link device)	1	Set the display unit to "kPa"
	82	Set value data size (Refer to Operation Manual of IO-Link device)	2	2 byte
	83 to 84	Parameter1_Index (Refer to Operation Manual of IO-Link device)	0x03F5	OUT1 hysteresis setting
	85	Parameter1_Subindex (Refer to Operation Manual of IO-Link device)	0	
	86 to 87	Set value (Refer to Operation Manual of IO-Link device)	0x0BB8	Set hysteresis to 1,000

Byte size: 88 byte

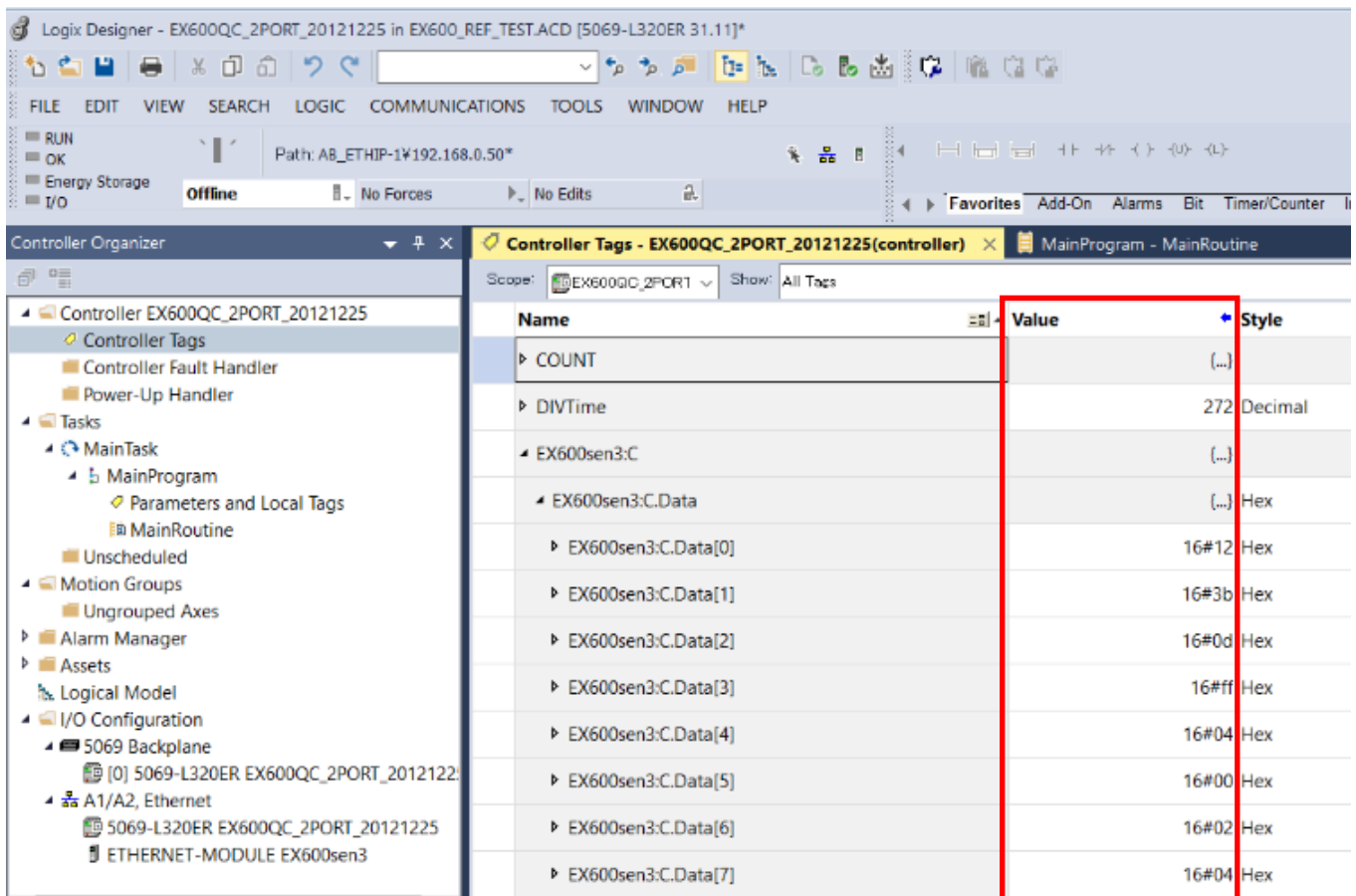
(2) Configuration size setting

Enter the byte size of the configuration data, which has been prepared in (1), in the Configuration size column of the Connection Parameters. The settable data size in the configuration assembly is 456 bytes maximum.



(3) Controller Tags

Set the data for 88 bytes to the Value of Tags.



■ Device Level Ring (DLR) function

This SI unit can be used as an EtherNet/IP™ compliant node for network rings with the DLR function. To enable the DLR function, all of the ring nodes need to be applicable to the DLR function. Since all of the DLR function settings are performed by the Ring Supervisor, there is no need to perform any settings to the SI unit. Refer to the manual for the Ring Supervisor for detailed settings.

■ QuickConnect™ function

This SI unit can be used as an EtherNet/IP compliant node for networks with the QuickConnect™ function. To enable the QuickConnect™ function, it is necessary to perform communication setting and QuickConnect™ function setting to the SI units, as shown below. After satisfying these conditions, setting of the QuickConnect™ compliant EtherNet/IP module (master), must be performed according to the specified procedure. Refer to the manual for the EtherNet/IP module (master) for the procedure.

1. Communication setting

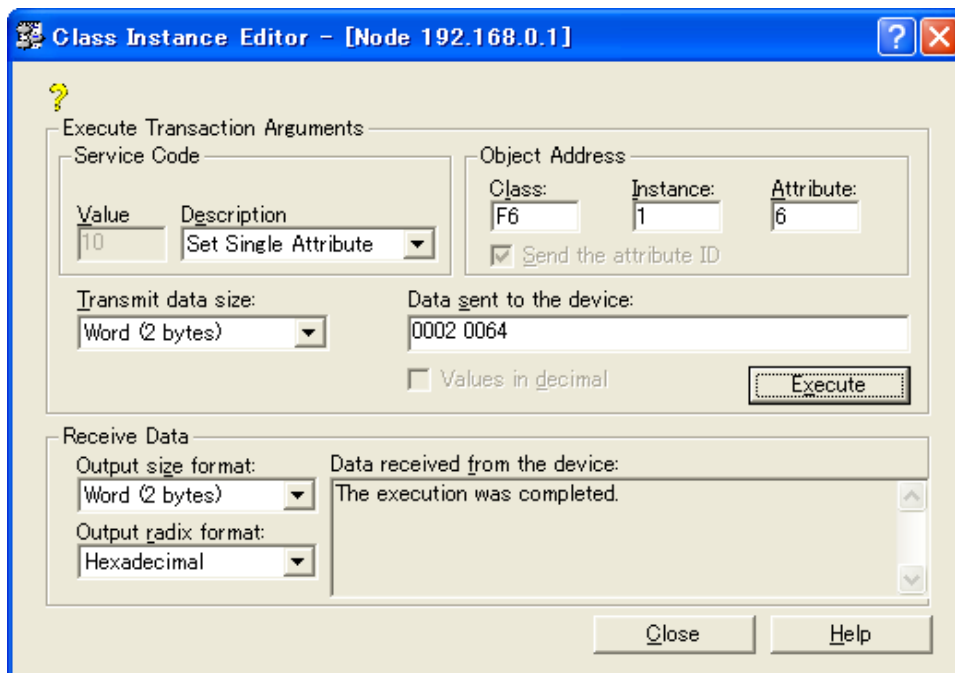
Disable the auto negotiation of the ports being used, set the communication speed to 100 Mbps, and the communication method to full duplex. Change the EtherNet Link Object to the values shown below. Please return setting to "0001 0000", when the QuickConnect™ function unused.

(1) Bus IN port setting

Class	Instance	Attribute	Value (Word)	QuickConnect™ setting
0xF6	0x01	0X06	0001 0000: Auto-negotiation (default setting)	
			0002 0064: Force 100 Mbps/Full duplex	○

(2) Bus OUT port setting

Class	Instance	Attribute	Value (Word)	QuickConnect™ setting
0xF6	0x02	0X06	0001 0000: Auto-negotiation (default setting)	
			0002 0064: Force 100 Mbps/Full duplex	○



Ex. Configuration of the Bus IN port

2. QuickConnect™ function setting

Change the TCP/IP Object to the values shown below.

Make sure the value is set to "0" when the QuickConnect™ function is not used.

Class	Instance	Attribute	Value	QuickConnect™ setting
0xF5	0x01	0X0C	0: disabled (default setting)	
			1: enabled	<input type="radio"/>

Note) Upon configuration of QuickConnect™ functions, the polarities of the communication ports reverse, as shown in the table below. Please be aware when selecting communication cables and the polarity of the communication port of the connected device.

Quick Connect™ setting	BUS IN Port	BUS OUT Port
Disabled	AUTO MDI/MDI-X	AUTO MDI/MDI-X
Enabled	MDI	MDI-X

EtherNet/IP™ Object

System diagnostic object (Class: 66h)

Instance	Attribute	Access	Name	Type	Value
01h	64h	Get	Input data length	UINT	I/O mapping input data length (Byte)
	65h		Output data length	UINT	I/O mapping output data length (Byte)
	6Dh		Number of units connected	USINT	Number of units connected
	79h	Get/Set	Hold/Clear	BOOL	0: switch 1: Web Server or EtherNet/IP™ object
	7Ah	Get	System Diagnosis 1	BYTE	0: No error, 1: Error Bit0: The analogue value has fallen below the user set value. Bit1: The analogue value has exceeded the user set value. Bit2: The analogue input value has fallen below the set range. Bit3: The analogue input value has exceeded the set range. Bit4: The ON/OFF counter has exceeded the set value. Bit5: The open circuit has been detected. Bit6: The short circuit of the valve output or digital output has been detected. Bit7: The short circuit of the power supply for the input/output device has been detected.
	7Bh		System Diagnosis 2	BYTE	0: No error, 1: Error Bit0: The power supply voltage for output device is outside of the specification. Bit1: The power supply voltage for control and input is outside of the specification. Bit2: Reserved Bit3: There is a connection failure between each unit (During operation). Bit4: There is a connection failure between each unit (When the power supply is applied). Bit5: Reserved Bit6: System error occurred. Bit7: Hardware error occurred.
	9Ch		Unit connecting condition 1	BYTE	0: No error, 1: Error Bit0: There is an error in unit 0. Bit1: There is an error in unit 1. Bit2: There is an error in unit 2. Bit3: There is an error in unit 3. Bit4: There is an error in unit 4. Bit5: There is an error in unit 5. Bit6: There is an error in unit 6. Bit7: There is an error in unit 7.
	9Dh		Unit connecting condition 2	BYTE	0: No error, 1: Error Bit0: There is an error in unit 8. Bit1: There is an error in unit 9. Bit2: Reserved : Bit7: Reserved
B0h	Get/Set		Analogue data endian	BOOL	0: LSB First 1: MSB First

Unit/Channel diagnosis object (Class: 67h)

Instance	Attribute	Access	Name	Type	Value
01h to 0Ah *1	6Ch	Get	Unit diagnosis	BYTE	0: No error, 1: Error Bit0: The analogue value has fallen below the user set value. Bit1: The analogue value has exceeded the user set value. Bit2: The analogue input value has fallen below the set range. Bit3: The analogue input value has exceeded the set range. Bit4: The ON/OFF counter has exceeded the set value. Bit5: The open circuit has been detected. Bit6: The short circuit of the valve output or digital output has been detected. Bit7: The short circuit of the power supply for the input/output device has been detected
	6Eh		Channel diagnosis Ch0 to Ch7	BYTE	0: No error, 1: Error Bit0: There is an error in channel 0. : Bit7: There is an error in channel 7.
	6Fh		Channel diagnosis Ch8 to Ch15	BYTE	0: No error, 1: Error Bit0: There is an error in channel 8. : Bit7: There is an error in channel 15.
	70h		Channel diagnosis Ch16 to Ch23	BYTE	0: No error, 1: Error Bit0: There is an error in channel 16. : Bit7: There is an error in channel 23.
	71h		Channel diagnosis Ch24 to Ch31	BYTE	0: No error, 1: Error Bit0: There is an error in channel 24. : Bit7: There is an error in channel 31.

*1: The instance number 01h to 0Ah is allocated to the Unit No. from 0 to 9.

Details of channel diagnosis object (Class: 77h)

Instance	Attribute	Access	Name	Type	Value
01h to 0Ah *1	64h to 83h *2	Get	Channel diagnosis Ch0 to 31	BYTE	0: No error, 1: Error Bit0: The analogue value has fallen below the user set value. Bit1: The analogue value has exceeded the user set value. Bit2: The analogue input value has fallen below the set range. Bit3: The analogue input value has exceeded the set range. Bit4: The ON/OFF counter has exceeded the set value. Bit5: The open circuit has been detected. Bit6: The short circuit of the valve output or digital output has been detected. Bit7: The short circuit of the power supply for the input/output device has been detected.

*1: The instance number 01h to 0Ah is allocated to the Unit No. from 0 to 9.

*2: The attribute number from 64h to 83h is allocated to the channel No. from 0 to 31.

Unit parameter object (Class: 78h)

Instance	Attribute	Access	Name	Type	Value
01h to 0Ah *1	64h	Get/Set	Short circuit detection (Power supply for input device) •Digital input, I/O •Analogue input, output, I/O	BOOL	0: Disable 1: Enable
	65h		Short circuit detection (Output) •SI •Digital output, I/O	BOOL	0: Disable 1: Enable
	66h		Analogue over range detection •Analogue input, I/O	BOOL	0: Disable 1: Enable
	67h		Analogue under range detection •Analogue input, I/O	BOOL	0: Disable 1: Enable
	68h		Inrush current filter •Digital input, I/O	BOOL	0: Disable 1: Enable
	69h		Restart after output load short circuit •SI •Digital output, I/O	BOOL	0: Manual 1: Auto
	6Ah		Input filtering time •Digital input, I/O	USINT	0: 0.1 ms 1: 1.0 ms 2: 10 ms 3: 20 ms
	6Bh		Input extension time •Digital input, I/O	USINT	0: 1.0 ms 1: 15 ms 2: 100 ms 3: 200 ms
	6Ch		Analogue data format •Analogue input, output, I/O	USINT	0: Offset binary 1: Sign and Magnitude 2: 2's complement 3: Scaled (Scaled cannot be set for analogue input)
	6Dh		Power supply for control and input voltage monitor •SI	BOOL	0: Disable 1: Enable
6Eh	Power supply for output voltage monitor •SI	BOOL	0: Disable 1: Enable		

*1: The instance number 01h to 0Ah is allocated to the Unit No. from 0 to 9.

Unit parameter object (Class: 78h)

Instance	Attribute	Access	Name	Type	Value
01h to 0Ah *1	70h	Get/Set	IO-Link master •Fault output (IO-Link)	BOOL	0: Clear / PD Out valid 1: Hold 2: Clear/ PD Out invalid
	71h		IO-Link master •Fault output (DO)	BOOL	0: Clear 1: Hold 2: Force ON
	72h		IO-Link master •Idle output (IO-Link)	BOOL	0: Clear / PD Out valid 1: Hold 2: Clear / PD Out invalid
	73h		IO-Link master •Idle output (DO)	BOOL	0: Clear 1: Hold 2: Force ON
	74h		IO-Link master •Byte swap	BOOL	0: direct 1: 16 bit 2: 32 bit 3: all
	75h		IO-Link master •Process data mapping	BOOL	0: 2 / 2 / 2 / 2 1: 4 / 4 / 4 / 4 2: 8 / 8 / 8 / 8 3: 16 / 16 / 2 / 2 4: 32 / 2 / 2 / 2 *: Port1 / Port2 / Port3 / Port4 process data size (I/O byte)

*1: The instance number 01h to 0Ah is allocated to the Unit No. from 0 to 9.

Channel parameter object (1) (Class: 79h to 7Fh)

Class	Instance	Attribute	Access	Name	Type	Value
79h	01h to 0Ah *1	64h to 83h *2	Get/Set	Open circuit detection •SI •Digital input (DX#C1) •Digital output, I/O	BOOL	0: Disable 1: Enable
7Ah				ON/OFF count upper limit detection •SI •Digital input, output, I/O	BOOL	0: Disable 1: Enable
7Bh				ON/OFF count upper limit value •SI •Digital input, output, I/O	UINT	1 to 65000 (Times diagnosis is detected=Set value x1000)
7Ch				Analogue user setting value upper limit detection •Analogue input, output, I/O	BOOL	0: Disable 1: Enable
7Dh				Analogue user setting value of upper limit •Analogue input, output, I/O	UINT	2 bytes AD value Refer to "Parameter Setting" for details.
7Eh				Analogue user setting value lower limit detection •Analogue input, output, I/O	BOOL	0: Disable 1: Enable
7Fh				Analogue user setting value of lower limit •Analogue input, output, I/O	UINT	2 bytes AD value Refer to "Parameter Setting" for details.

*1: The instance number 01h to 0Ah is allocated to the Unit No. from 0 to 9.

*2: The attribute number from 64h to 83h is allocated to the channel No. from 0 to 31.

Channel parameter object (2) (Class: 83h to 8Ah)

Class	Instance	Attribute	Access	Name	Type	Value
83h	01h to 0Ah *1	64h to 83h *2	Get/Set	Output setting at communication error •SI •Digital output, I/O •Analogue output, I/O	BOOL	0: Disable (Hold) 1: Enable (Clear or Force ON)
84h				Output setting at communication error (Digital) •SI •Digital output, I/O	BOOL	0: Off (Clear) 1: On (Force ON)
85h				Output setting at communication error (Analogue) •Analogue output, I/O	UINT	2 bytes AD value Refer to "Parameter Setting" for details.
86h				Output setting at communication idling •SI •Digital output, I/O •Analogue output, I/O	BOOL	0: Disable (Hold) 1: Enable (Clear or Force ON)
87h				Output setting value at communication idling (Digital) •SI •Digital output, I/O	BOOL	0: Off (Clear) 1: On (Force ON)
88h				Output setting value at communication idling (Analogue) •Analogue output, I/O	UINT	2 bytes AD value Refer to "Parameter Setting" for details.
89h				Analogue average filter •Analogue input, I/O	USINT	0: None 1: 2 value average 2: 4 value average 3: 8 value average
8Ah				Analogue range •Analogue input, output, I/O	USINT	0: -10...+10 V (Analogue input unit only) 1: -5...+5 V (Analogue input unit only) 2: -20...+20 mA (Analogue input unit only) 3: 0...10 V 4: 0...5 V 5: 1...5 V 6: 0...20 mA 7: 4...20 mA

*1: The instance number 01h to 0Ah is allocated to the Unit No. from 0 to 9.

*2: The attribute number from 64h to 83h is allocated to the channel No. from 0 to 31.

■ IO-Link SMI service

Reading and writing of the IO-Link master and device parameter using EtherNet/IP™ Explicit Message.
The service code of the Explicit Message varies in reading and writing.

- Reading: 32h
- Writing: 33h

The following 5 types of data can be read or written in the SMI service.

No	Description	Data type	Read	Write
1	SMI_MasterIdentification	IO-Link master information	○	-
2	SMI_PortConfiguration	IO-Link master port parameter setting	○	○
3	SMI_PortStatus	Acquires IO-Link master port status	○	-
4	SMI_DeviceRead	Receives ISDU from IO-Link device	○	-
5	SMI_DeviceWrite	Sends ISDU to IO-Link device	-	○

1. SMI_MasterIdentification (acquires IO-Link master information: Read)

[Request]

Data	Value	Notes
Service code	0x32	
Class	0x90	
Instance	0x01 to 09	Unit No. +1
Attribute	0x64	
Data[0]	0x00	Fixed value
Data[1]	0x01	Fixed value

[Response]

Data	Value	Notes
Ack[0] to [3]	0xB2000000	When reading is succeeded: 0xB2000000
Data[0] to [1]	Vendor ID	Vendor ID for the IO-Link master (SMC: 0x0083)
Data[2] to [5]	Master ID	IO-Link master ID (EX600-LAB1: 0x0000003B, EX600-LBB1: 0x0000003C)
Data[6]	Master type	IO-Link master type (0x02)
Data[7] to [8]	Feature	Functions that IO-Link master supports (0x0400)
Data[9]	Max number of ports	Maximum IO-Link port quantity of the IO-Link master (0x04)
Data[10]	Port 1 type	Port type 0: Class A 1: Class A with PortPowerOffOn 2: Class B
Data[11]	Port 2 type	
Data[12]	Port 3 type	
Data[13]	Port 4 type	

2-1. SMI_PortConfigList (acquires IO-Link master port parameter: Read)

[Request]

Data	Value	Notes
Service code	0x32	
Class	0x90	
Instance	0x01 to 09	Unit No. +1
Attribute	0x65 to 68	Port No. 1 to 4
Data[0]	0x80	Fixed value
Data[1]	0x00	Fixed value

[Response]

Data	Value	備考
Ack[0] to [3]	0xB2000000	When reading is succeeded: 0xB200000000
Data[0]	Port mode	0: Deactivated 1: IOL_Manual 2: IOL_Autostart 3: DI_C/Q 4: DQ_C/Q
Data[1]	Validation&Backup	0: No Device Check 1: Type compatible Device V1.0 2: Type compatible Device V1.1 3: Type compatible Device V1.1,Backup+Restore 4: Type compatible Device V1.1,Restore
Data[2]	I/Q behavior (Pin2 at M12 Connector)	1:Digital input (For EX600-LAB1) 5:Power2 (For EX600-LBB1)
Data[3]	Port Cycle time	Port cycle type (Refer to page 78)
Data[4] to [5]	Vendor ID	Vendor ID for device comparison function
Data[6]	0x00	Reserved
Data[7] to [9]	Device ID	Vendor ID for device comparison function

2-2. SMI_PortConfigList (acquires IO-Link master port parameter: Write)
 [Request]

Data	Value	Notes
Service code	0x33	Service code
Class	0x90	Class
Instance	0x01 to 09	Instance, unit No.+1
Attribute	0x65..68	Port No. 1 to 4
Data[0]	0x80	Fixed value
Data[1]	0x00	Fixed value
Data[2]	Port mode	0: Deactivated 1: IOL_Manual 2: IOL_Autostart 3: DI_C/Q 4: DQ_C/Q
Data[3]	Validation&Backup	0: No Device Check 1: Type compatible Device V1.0 2: Type compatible Device V1.1 3: Type compatible Device V1.1,Backup+Restore 4: Type compatible Device V1.1,Restore
Data[4]	0x00	Fixed value
Data[5]	Port cycle time	Sets port cycle type (Refer to page 78)
Data[6]	Vendor ID [0] (MSB)	Sets vendor ID for device comparison
Data[7]	Vendor ID [1] (LSB)	
Data[8]	0x00	Fixed value
Data[9]	Device ID [0] (MSB)	Sets vendor ID for device comparison
Data[10]	Device ID [1]	
Data[11]	Device ID [2] (LSB)	

[Response]

Data	Value	Notes
Ack[0] to [3]	0xB3000000	When writing is successful: 0xB300000000

3. SMI_PortStatusList (Acquires IO-Link master port status: Read)
[Request]

Data	Value	Notes
Service code	0x32	
Class	0x90	
Instance	0x01 to 09	Unit No.+1
Attribute	0x65 to 68	Port No. 1 to 4
Data[0]	0x90	Fixed value
Data[1]	0x00	Fixed value

[Response]

Data	Value	Notes
Ack[0] to [3]	0xB2000000	When reading is successful: 0xB200000000
Data[0]	PortStatusInfo	0: NO_DEVICE, 1: DEACTIVATED, 2: PORT_DIAG 3: PREOPERATE, 4: OPERATE, 5: DI_C/Q, 6: DO_C/Q
Data[1].bit0	PortQualityInfo input	0: Input process data valid 1: Input process data invalid
Data[1].bit1	PortQualityInfo output	0: Output process data valid 1: Output process data invalid
Data[2]	RevisionID	IO-Link device revision ID
Data[3]	TransmissionRate	Communication speed 0: NOT_DETECTED, 1: COM1, 2: COM2, 3: COM3
Data[4]	MasterCycleTime	Port cycle time
Data[5]	InputDataLength	Process input data length
Data[6]	OutputDataLength	Process output data length
Data[7] to [8]	Vendor ID	Vendor ID of the IO-Link device connected
Data[9]	0x00	Reserved
Data[10] to [12]	Device ID	Device ID of the IO-Link device connected
Data[13]	NumberOfDiags	Event quantity *1
Data[14]	EventQualifier 1	EventQualifier1 *2
Data[15] to [16]	EventCode	Event code of IO-Link master or device *3
Data[17]	EventQualifier 2	EventQualifier2 *2
Data[18] to [19]	EventCode	Event code of IO-Link master or device *3
:	:	:

*1: When the event quantity is "0", the data for Data[14] and later is not added.

When the event quantity is "1", the total amount of EventQualifier and event code 2 bytes (total bytes: 3) will be added. Data will be added by 3 bytes according to the event quantity.

*2: The specifications of EventQualifier# are described below.

Bit							
7	6	5	4	3	2	1	0
Mode		Type		Source	Instance		
0: Reserved		0: Reserved		0: Device 1: Master	0 : Unknown		
1: Event single shot		1: Notification			1-3: Reserved		
2: Event disappears		2: Warning			4 : Application		
3: Event appears		3: Error			5-7: Reserved		

*3: Refer to IO-Link master unit (page 88) for details of the event code of the IO-Link master.

Refer to the Operation Manual of the IO-Link device for details of the event code of the IO-Link device.

4. SMI_DeviceRead (Acquires IO-Link device parameters: Read)
[Request]

Data	Value	Notes
Service code	0x32	
Class	0x90	
Instance	0x01 to 09	Unit No. +1
Attribute	0x65 to 68	Port No. 1 to 4
Data[0]	0x30	Fixed value
Data[1]	0x00	Fixed value
Data[2]	Index[0] (MSB)	Refer to the Operation Manual of the IO-Link Device
Data[3]	Index[1] (LSB)	
Data[4]	Subindex	Refer to the Operation Manual of the IO-Link Device

[Response]

Data	Value	Notes
Ack[0] to [3]	0xB2000000	When reading is successful: 0xB2000000
Data[0] to [#]	On request data	Refer to the Operation Manual of the IO-Link Device

5. SMI_DeviceRead (IO-Link device parameter setting: Write)
[Request]

Data	Value	Notes
Service code	0x33	
Class	0x90	
Instance	0x01 to 09	Instance, Unit No. +1
Attribute	0x65..68	Port No. 1 to 4
Data[0]	0x30	Fixed value
Data[1]	0x00	Fixed value
Data[2]	Index[0] (MSB)	Refer to the Operation Manual of the IO-Link Device
Data[3]	Index[1] (LSB)	
Data[4]	Subindex	Refer to the Operation Manual of the IO-Link Device
Data[5] to [#]	On request data	Refer to the Operation Manual of the IO-Link Device

[Response]

Data	Value	Notes
Ack[0] to [3]	0xB3000000	When writing is successful: 0xB3000000

Web Server

EX600 Web server functional overview

The Web server function is provided by the EX600-SEN3-X80.

The functions available vary depending on the mode.

Function	Admin mode	Monitor only mode
I/O Monitor	Available	Available
Diagnostic status monitor	Available	Available
Parameter setting	Available	Not available
Force I/O setting	Available	Not available

NOTE

This software operates correctly using Internet Explorer 11. If the functions do not operate correctly, then use Internet Explorer in compatibility mode.

Connecting to a EX600-SEN3 (Ex. Windows 10)

- (1) Open a web browser on the PC.
- (2) Type the IP address of EX600-SEN3. (Ex. http://192.168.0.1)
- (3) The EX600 webpage should load after several seconds.

NOTE

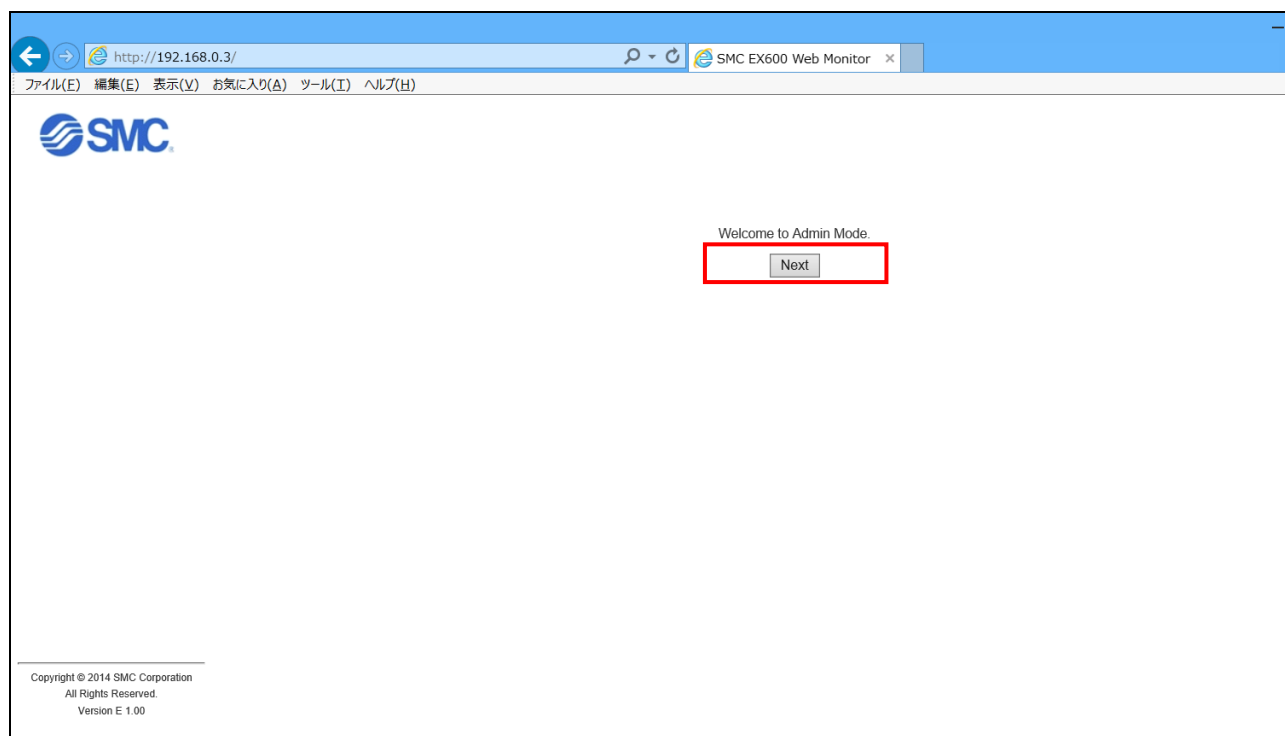
Connect one SI unit to one PC.

The screenshot shows a web browser window with the URL <http://192.168.0.3/>. The page displays the SMC logo and a login form. A red box highlights the 'Password' input field. Below the password field are two buttons: 'Login' and 'Monitor only'. Callouts provide the following information:

- Default setting Password: admin
- When [Login] is selected after inputting Password, the screen is switched to [Admin mode].
- When [Monitor only] is selected, the screen is switched to [Monitor only mode]. No Password is required.

Copyright © 2014 SMC Corporation
All Rights Reserved.
Version E 1.00

(4) When [Login] is selected after inputting Password, the screen below is displayed. Press the [Next] button.



NOTE

The parameter setting is available with Admin mode only.

- (5) After pressing the [Next] button, the [SYSTEM CONFIGURATION STATUS] screen is displayed. This screen will be the TOP screen.

The total size of input/output is displayed.

When selecting the Unit Name, I/O monitor screen is displayed.

When the Password is changed and Error Log is cleared, click here.

Click here to logout.

No.	Unit Name	Unit Type	Input Size	Output Size	Diagnostic Status	Force Check
-	Diagnosis	-	0 byte	0 byte	-	-
0	EX600-LAB1	4IOL	44 byte	44 byte	-	-
1	EX600-LAB1	4IOL	44 byte	44 byte	-	-
2	EX600-LBB1	4IOL	44 byte	44 byte	-	-
3	EX600-LBB1	4IOL	44 byte	44 byte	-	-
4	EX600-DX#D	16DI	2 byte	0 byte	-	-
5	EX600-DX#D	16DI	2 byte	0 byte	-	-
6	EX600-DX#D	16DI	2 byte	0 byte	-	-
7	EX600-DX#D	16DI	2 byte	0 byte	-	-
8	EX600-DX#D	16DI	2 byte	0 byte	-	-
9	EX600-SEN#	32DO	0 byte	4 byte	-	-

NOTE

The screen above shows the case when the unit is connected as shown below.

System construction status

	No.0	No.1	No.2	No.3	No.4	No.5	No.6	No.7	No.8	No.9
End plate	EX600-LAB1	EX600-LAB1	EX600-LBB1	EX600-LBB1	EX600-DX#D	EX600-DX#D	EX600-DX#D	EX600-DX#D	EX600-DX#D	EX600-SEN3

(6) When unit diagnostics is generated, the diagnostic information is displayed on the [SYSTEM CONFIGURATION STATUS] screen.

SYSTEM CONFIGURATION STATUS

No.	Unit Name	Unit Type	Input Size	Output Size	Status	Force Check
-	Diagnosis	-	0 byte	0 byte	-	-
0	EX600-LAB1	4IOL	44 byte	44 byte	-	-
1	EX600-LAB1	4IOL	44 byte	44 byte	-	-
2	EX600-LBB1	4IOL	44 byte	44 byte	ERROR	-
3	EX600-LBB1	4IOL	44 byte	44 byte	-	-
4	EX600-DX#D	16DI	2 byte	0 byte	-	-
5	EX600-DX#D	16DI	2 byte	0 byte	-	-
6	EX600-DX#D	16DI	2 byte	0 byte	-	-
7	EX600-DX#D	16DI	2 byte	0 byte	-	-
8	EX600-DX#D	16DI	2 byte	0 byte	-	-
9	EX600-SEN#	32DO	0 byte	4 byte	-	-

SYSTEM DIAGNOSTIC INFORMATION

STATUS **LOG**

No.	Time	Unit	Ch	Description
1	0:05:31	2	0	Short circuit
2	0:05:28	2	1	Short circuit
3	-	-	-	-
4	-	-	-	-

The unit which requires a diagnostics can be specified.

When selecting [LOG], the error log information is displayed.

(7) When [Unit Name] is selected on the [SYSTEM CONFIGURATION STATUS] screen, the [I/O MONITOR] screen is displayed.
(EX600-DX□D)

Copyright © 2014 SMC Corporation
All Rights Reserved.
Version E 1.00

CH	ON/OFF	Diagnostic Status
IN0	ON	-
IN1	OFF	-
IN2	OFF	-
IN3	OFF	-
IN4	OFF	-
IN5	OFF	-
IN6	OFF	-
IN7	OFF	-

INO-7 [IN8-15](#) [Next >](#)

Copyright © 2014 SMC Corporation
All Rights Reserved.
Version E 1.00

CH	ON/OFF	Diagnostic Status
IN0	OFF	-
IN1	OFF	-
IN2	OFF	Short circuit.
IN3	OFF	Short circuit.
IN4	OFF	-
IN5	OFF	-
IN6	OFF	-
IN7	OFF	-

INO-7 [IN8-15](#) [Next >](#)

(8) Select the [UNIT PARAMETER] tab to display the [UNIT PARAMETER] screen.
(EX600-LAB1)

The screenshot shows the SMC EX600 Web Monitor interface. The 'UNIT PARAMETER' tab is selected. The page title is 'No.0 EX600-LAB1 4IOL'. Below the title, there is a 'UNIT PARAMETER' section with a table of parameters and their status. The 'Process Data Mapping (Port 1/2/3/4)' parameter is highlighted, and its status dropdown menu is open, showing options like '2/2/2/2 byte', '4/4/4/4 byte', '8/8/8/8 byte', '16/16/2/2 byte', and '32/2/2/2 byte'. A 'SET' button is visible below the dropdown.

Parameter	Status
Short Circuit Monitor	Enable <input type="button" value="Enable"/>
Output Setting During Communication Fault (IO-Link)	Clear, PDOOut Invalid <input type="button" value="Clear, PODOut Invalid"/>
Output Setting During Communication Fault (DO_C/Q)	Clear <input type="button" value="Clear"/>
Output Setting During Communication Idle (IO-Link)	Clear, PODOut Invalid <input type="button" value="Clear, PODOut Invalid"/>
Output Setting During Communication Idle (DO_C/Q)	Clear <input type="button" value="Clear"/>
InOut Byte Swap	Direct (No Swap) <input type="button" value="Direct (No Swap)"/>
Process Data Mapping (Port 1/2/3/4)	2/2/2/2 byte <input type="button" value="SET"/>

When the [SET] button is selected after changing the set value, the parameter will be changed.

(9) Select the [CHANNEL PARAMETER] tab to display the [CHANNEL PARAMETER] screen.
(EX600-LAB1)

No.0 EX600-LAB1 4IOL
CHANNEL PARAMETER

Parameter	Port 1		Port 2		Port 3		Port 4	
PortMode	IOL_Autostart	IOL_Autostart ▼	IOL_Autostart	▼	IOL_Autostart	▼	IOL_Autostart	▼
Validation	No Device check	No check ▼	No Device check	▼	No Device check	▼	No Device check	▼
I/Q behavior	Digital Input		Digital Input		Digital Input		Digital Input	
PortCycleTime	AFAP	AFAP ▼	AFAP	▼	AFAP	▼	AFAP	▼
VendorID	1	<input type="text"/>	<input type="text"/>	<input type="text"/>	1	<input type="text"/>	1	<input type="text"/>
DeviceID	1	<input type="text"/>	<input type="text"/>	<input type="text"/>	1	<input type="text"/>	1	<input type="text"/>
	SET		SET		SET		SET	

When the [SET] button is selected after changing the set value, the parameter will be changed.

(10) Select the [FORCE MODE] tab to display the [FORCE MODE] screen.
(EX600-DX□D)

http://192.168.0.3/ SMC EX600 Web Monitor

ファイル(E) 編集(E) 表示(V) お気に入り(A) ツール(I) ヘルプ(H)

SMC

IO MONITOR UNIT PARAMETER CHANNEL PARAMETER **FORCE MODE**

No.4 EX600-DX#D 16DI

TOP

FORCE MODE ALL RESET

CH	ON/OFF	Force Mode		
IN0	OFF	ON	OFF	RESET
IN1	OFF	ON	OFF	RESET
IN2	OFF	ON	OFF	R
IN3	OFF	ON	OFF	R
IN4	OFF	ON	OFF	R
IN5	OFF	ON	OFF	R
IN6	OFF	ON	OFF	R
IN7	OFF	ON	OFF	R

Admin Manager

LOGOUT

IN0-7 IN8-15 Next >

Copyright © 2014 SMC Corporation
All Rights Reserved.
Version E 1.00

Web ページからのメッセージ

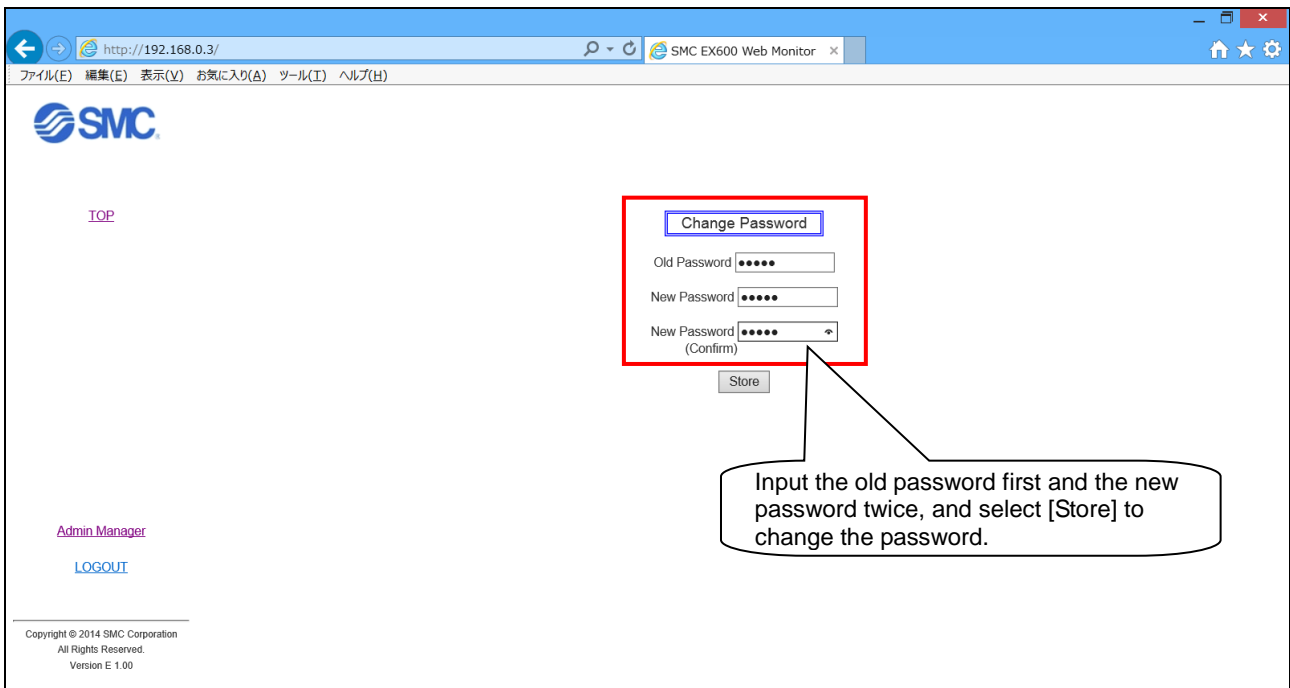
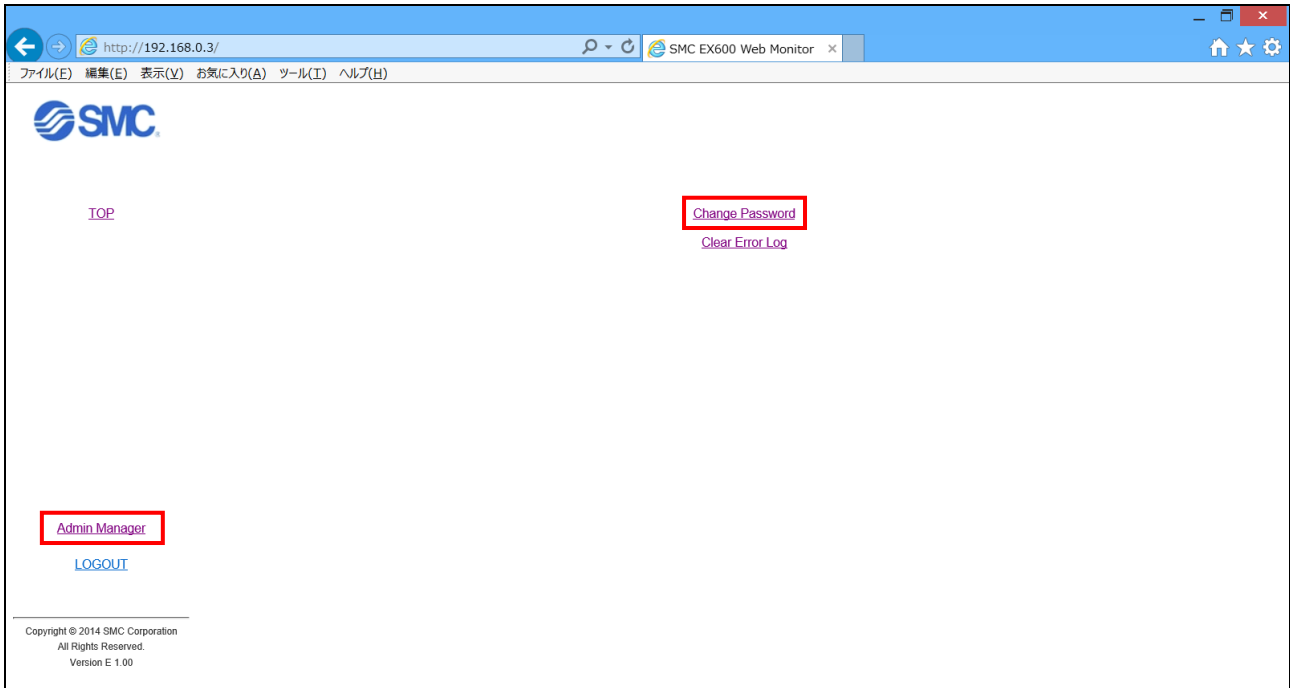
Force ON?
This operation will prohibit host access.
Unexpected actuator movements can result from changing the settings.

OK キャンセル

Select the ON button to turn this ON.

When it is confirmed that there are no abnormalities with the unit after turning it ON, select the [OK] button.

(11) To change the Password, select [Admin Manager] and select [Change Password].



NOTE

Do not logout using the [x] button shown at the upper right of the screen.

Accessories

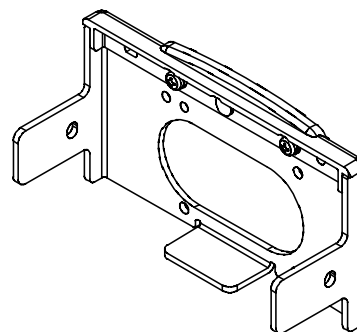
For the selection of accessories, refer to the catalog.

(1) Valve plate

EX600-ZMV1

Enclosed parts: Round head screw (M4 x 6), 2 pcs.

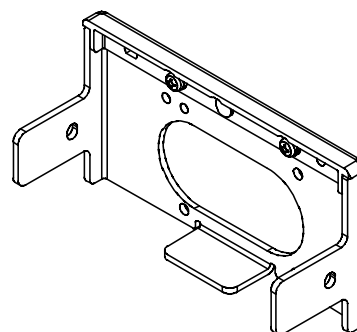
Round head screw (M3 x 8), 4 pcs.



EX600-ZMV2 (Specified for SY series)

Enclosed parts: Round head screw (M4 x 6), 2 pcs.

Round head screw (M3 x 8), 4 pcs.



(2) End plate bracket

EX600-ZMA2

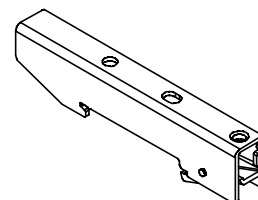
Enclosed parts: Round head screw (M4 x 20), 1 pc.

P tight screw (4 x 14), 2 pcs.

EX600-ZMA3 (Specified for SY series)

Enclosed parts: Round head screw (M4x20) with washer, 1 pc.

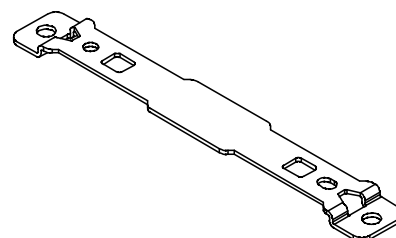
P tight screw (4 x 14), 2 pcs.



(3) Intermediate support bracket

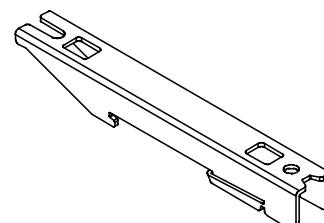
EX600-ZMB1: For direct mounting

Enclosed parts: Round head screw (M4 x 5), 2 pcs.



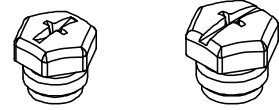
EX600-ZMB2: For DIN rail mounting

Enclosed parts: Round head screw (M4 x 6), 2 pcs.



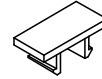
(4) Seal cap (10 pcs.)

EX9-AWES: For M8
EX9-AWTS: For M12



(5) Marker (1 sheet, 88 pcs.)

EX600-ZT1



(6) Assembled type connector

PCA-1446553: For EtherNet/IP™ communication, M12 (4 pin) Plug, D code
PCA-1578078: For power supply, 7/8 inch, Plug, Cable O.D. 12 to 14 mm
PCA-1578081: For power supply, 7/8 inch, Socket, Cable O.D. 12 to 14 mm

(7) Power supply cable

PCA-1558810: Cable with 7/8 inch connector, Socket, Straight 2 m
PCA-1558823: Cable with 7/8 inch connector, Socket, Straight 6 m
PCA-1558836: Cable with 7/8 inch connector, Socket, Right angle 2 m
PCA-1558849: Cable with 7/8 inch connector, Socket, Right angle 6 m
PCA-1564927: Cable with M12 connector, B code, Socket, Straight 2 m, SPEEDCON compatible
PCA-1564930: Cable with M12 connector, B code, Socket, Straight 6 m, SPEEDCON compatible
PCA-1564943: Cable with M12 connector, B code, Socket, Right angle 2 m, SPEEDCON compatible
PCA-1564969: Cable with M12 connector, B code, Socket, Right angle 6 m, SPEEDCON compatible

(8) EtherNet/IP™ communication cable

PCA-1446566: Cable with M12 connector, D code, Plug, Straight 5 m, SPEEDCON compatible
EX9-AC010EN-PSRJ: Cable with M12 connector, D code-RJ45, Plug, Straight 1 m
EX9-AC020EN-PSRJ: Cable with M12 connector, D code-RJ45, Plug, Straight 2 m
EX9-AC030EN-PSRJ: Cable with M12 connector, D code-RJ45, Plug, Straight 3 m
EX9-AC050EN-PSRJ: Cable with M12 connector, D code-RJ45, Plug, Straight 5 m
EX9-AC100EN-PSRJ: Cable with M12 connector, D code-RJ45, Plug, Straight 10 m

(9) IO-Link communication cable

EX9-AC005-SSPS: Cable with M12 connector, Socket, Plug, Straight 0.5 m
EX9-AC010-SSPS: Cable with M12 connector, Socket, Plug, Straight 1.0 m
EX9-AC020-SSPS: Cable with M12 connector, Socket, Plug, Straight 2.0 m
EX9-AC030-SSPS: Cable with M12 connector, Socket, Plug, Straight 3.0 m
EX9-AC050-SSPS: Cable with M12 connector, Socket, Plug, Straight 5.0 m
EX9-AC100-SSPS: Cable with M12 connector, Socket, Plug, Straight 10.0 m

Revision history

SMC Corporation

4-14-1, Sotokanda, Chiyoda-ku, Tokyo 101-0021 JAPAN

Tel: + 81 3 5207 8249 Fax: +81 3 5298 5362

URL <https://www.smcworld.com>

Note: Specifications are subject to change without prior notice and any obligation on the part of the manufacturer.

EtherNet/IP™ is a trademark of ODVA

The descriptions of products shown in this document may be used by the other companies as their trademarks.

© 2020 SMC Corporation All Rights Reserved

