



Manifold with supply stop valve

3 port solenoid valve / **SS3YJ7-X5**

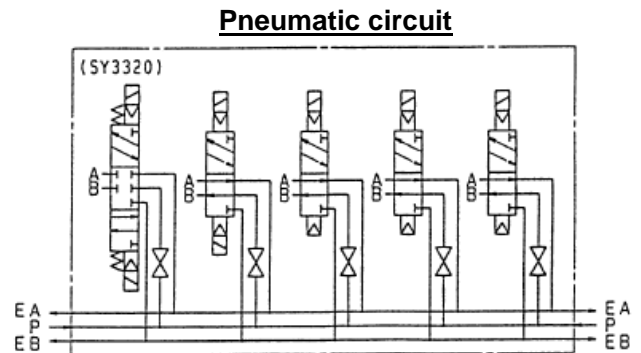
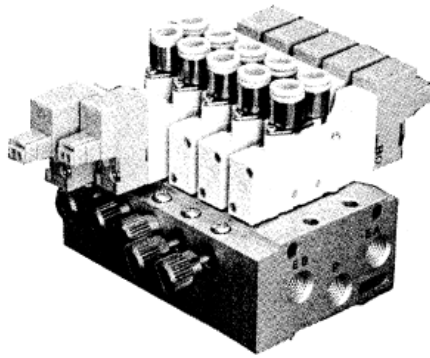
5 port solenoid valve / **SS5Y~~3~~-X460**

SMC CORPORATION
4-14-1, SOTO-KANDA,
CHIYODA-KU,
TOKYO 101-0021, JAPAN
URL: <http://www.smcworld.com>

■ Features:

Block supply air for individual valves

Maintainability improves as it enables replacement of individual actuators or valves without stopping other equipment.



Model	Port
SS3YJ7-X5	3 port solenoid valve
SS5Y 3 -X460	5 port solenoid valve

■ Specifications:

		3 port	5 port		
Model		SS3YJ7-X5	SS5Y3-X460	SS5Y5-X460	SS5Y7-X460
Applicable valve ^{※1}		SYJ7 2	SY3 20	SY5 20	SY7 20
Manifold type		Single base / Base mount			
P (SUP) · R (EXH)		Common SUP / Common EXH			
Valve stations		2 to 20 stations ^{※2}			
A · B port porting location		Valve			
Port size	P, EA, EB Port	Rc1/8	Rc1/8	Rc1/4	Rc1/4
	A, B Port	Rc1/8	M5×0.8 C4 (One-touch fitting φ4) C6 (One-touch fitting φ6)	Rc1/8 C4 (One-touch fitting φ4) C6 (One-touch fitting φ6) C8 (One-touch fitting φ8)	Rc1/4 C8 (One-touch fitting φ8) C10 (One-touch fitting φ10)
Cv (Valve Effective area mm ²)		0.5 (9)	P → A/B 0.17 (3) A/B → EA/EB 0.19 (3.5)	P → A/B 0.43 (7.8) A/B → EA/EB 0.46 (8.4)	P → A/B 0.74 (13.4) A/B → EA/EB 0.7 (12.7)

*1: Please refer to the SYJ Series and SY Series Catalog for details on applicable valves.

*2: For 10 stations or more (SS5Y7-X460= 5 stations or more), pressurize P ports on both ends and exhaust from EA and EB ports.

■ How to Order:

◇ 3 port

SS3YJ7 - ※※※ - X5

Manifold stations

01	1 Station
:	:
20	20 Stations

• P, EA, EP Port

Thread type

Nil	Rc1/4
F	G1/4
N	NPT1/4
T	NPTF1/4

◇ 5 port

SS5Y ※ - ※※※ - X460

Manifold stations

01	1 Station
:	:
20	20 Stations

Thread type

Nil	Rc1/4
F	G1/4
N	NPT1/4
T	NPTF1/4

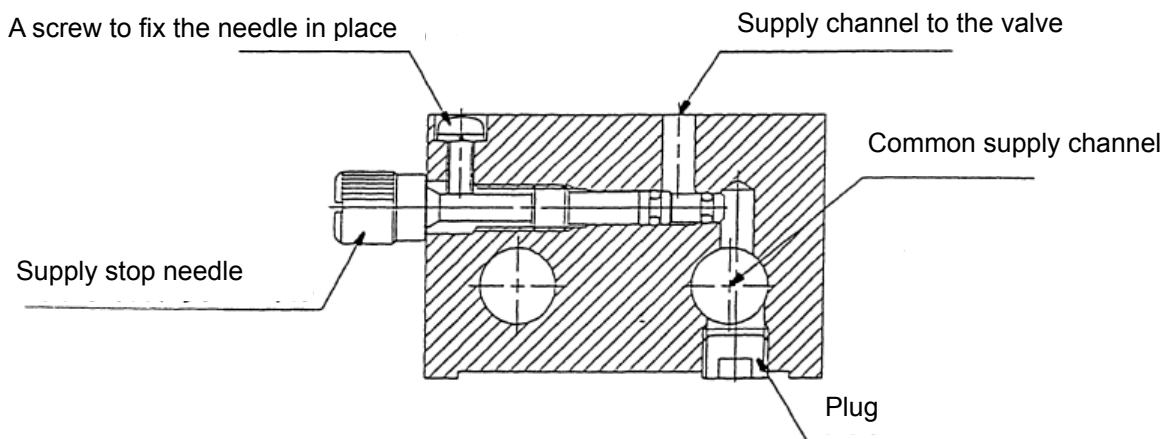
Manifold series

3	SY3000
5	SY5000
7	SY7000

※As it is a manifold type, please select valves separately.

Please refer to the standard product catalog for details on applicable valves.

■ Construction (Manifold with supply stop valve)



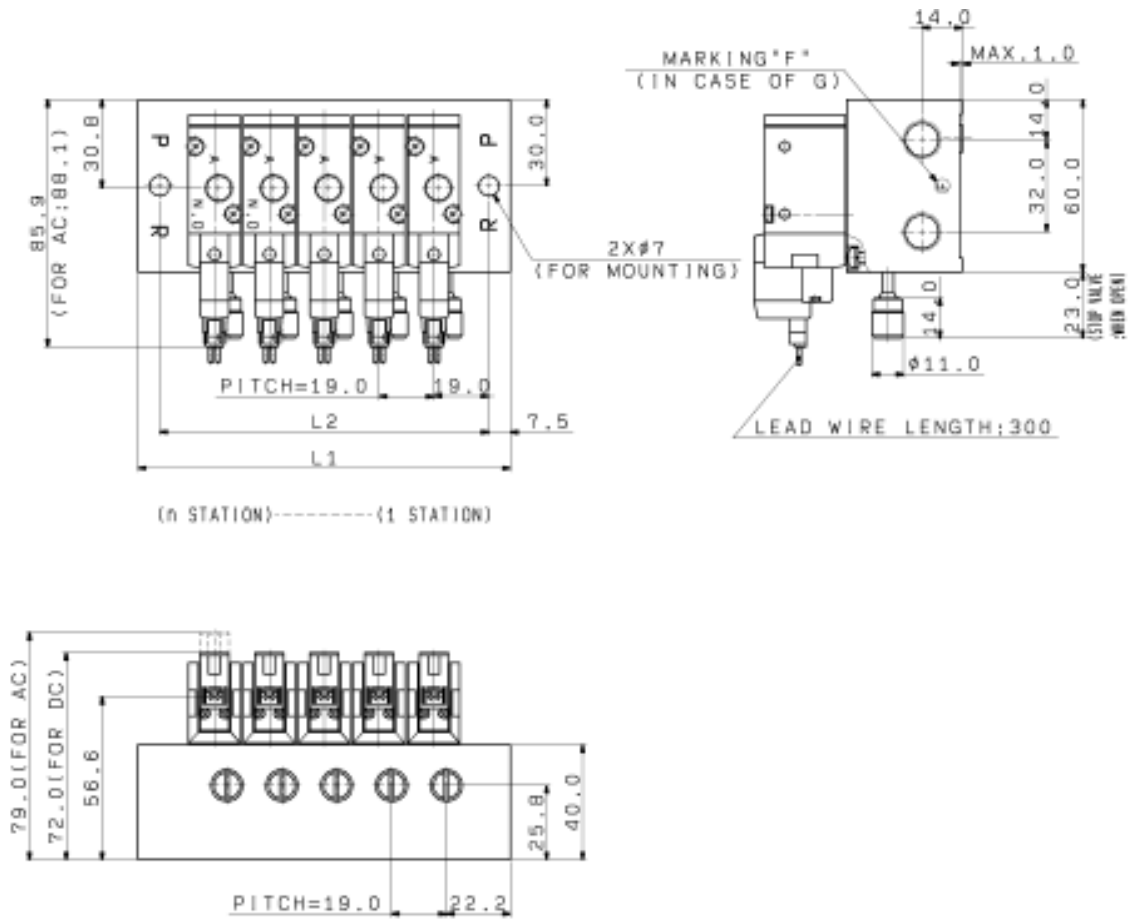
◆ Note:

The purpose of the supply stop valve is to stop the supply pressure temporarily. Do not use it in the Normal Closed condition.

(If it needs to be used in a N.C., please use a blanking plate)

■ Dimensions: mm

◇ SS3YJ7-X5



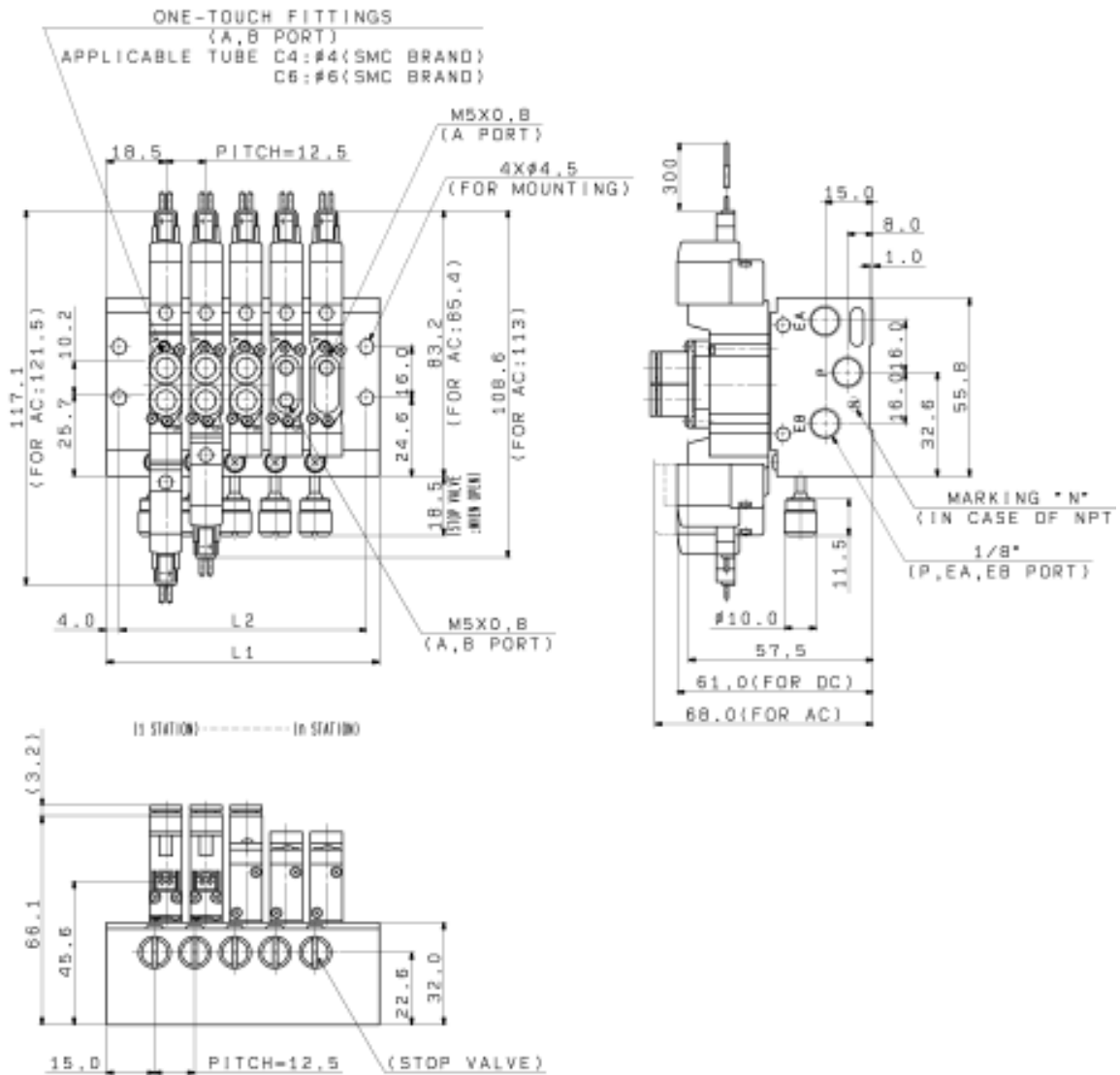
L: Dimensions

n: Stations

L \ n	1	2	3	4	5	6	7	8	9	10
L1	53	72	91	110	129	148	167	186	205	224
L2	38	57	76	95	114	133	152	171	190	209
L \ n	11	12	13	14	15	16	17	18	19	20
L1	243	262	281	300	319	338	357	376	395	414
L2	228	247	266	285	304	323	342	361	380	399

※As it is a manifold type, please select valves separately.

◇SS5Y3-X460



L: Dimensions

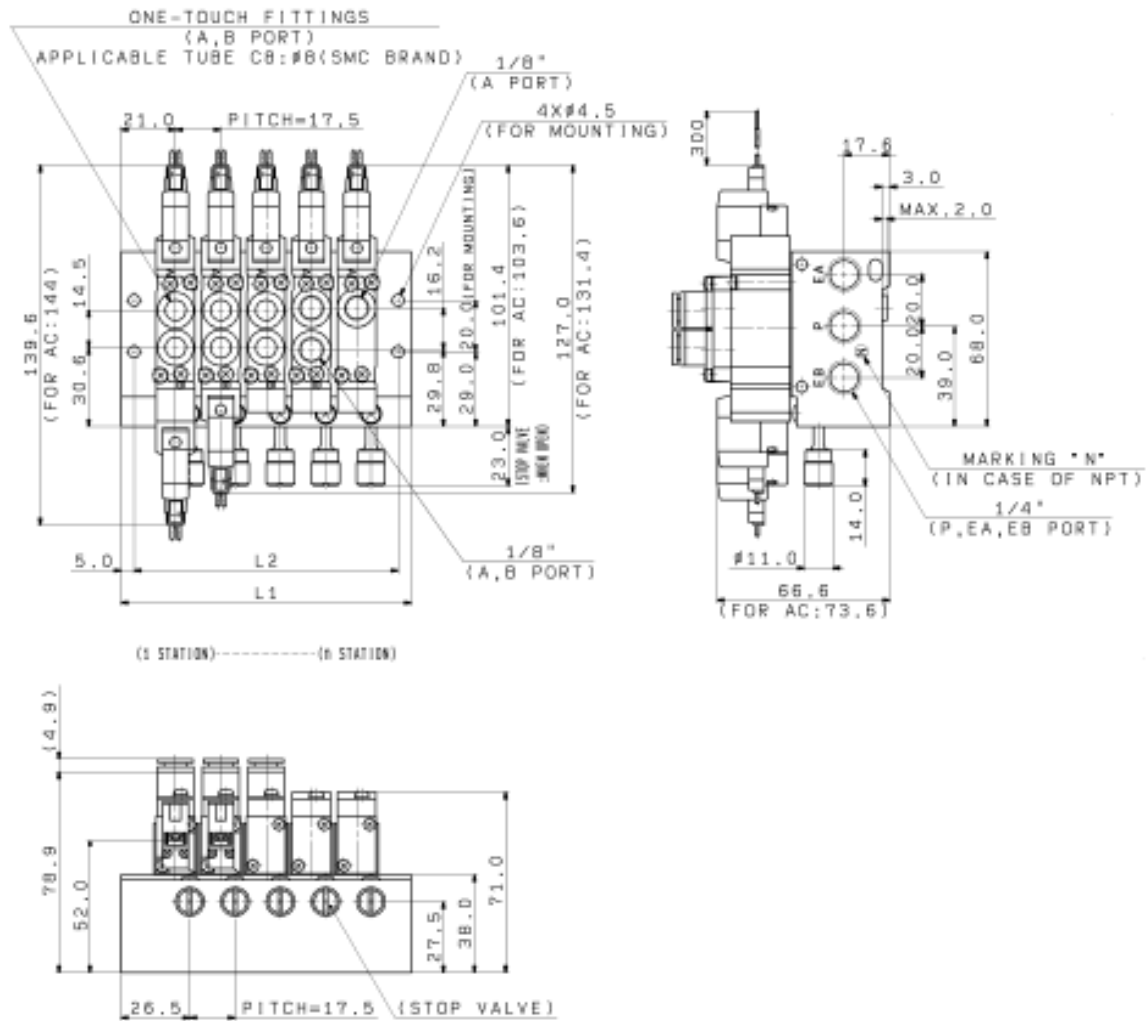
n: Stations

L \ n	1	2	3	4	5	6	7	8	9	10
L1	35	47.5	60	72.5	85	97.5	110	122.5	135	147.5
L2	27	39.5	52	64.5	77	89.5	102	114.5	127	139.5

L \ n	11	12	13	14	15	16	17	18	19	20
L1	160	172.5	185	197.5	210	222.5	235	247.5	260	272.5
L2	152	164.5	177	189.5	202	214.5	227	239.5	252	264.5

※As it is a manifold type, please select valves separately.

◇SS5Y5-X460



L: Dimensions

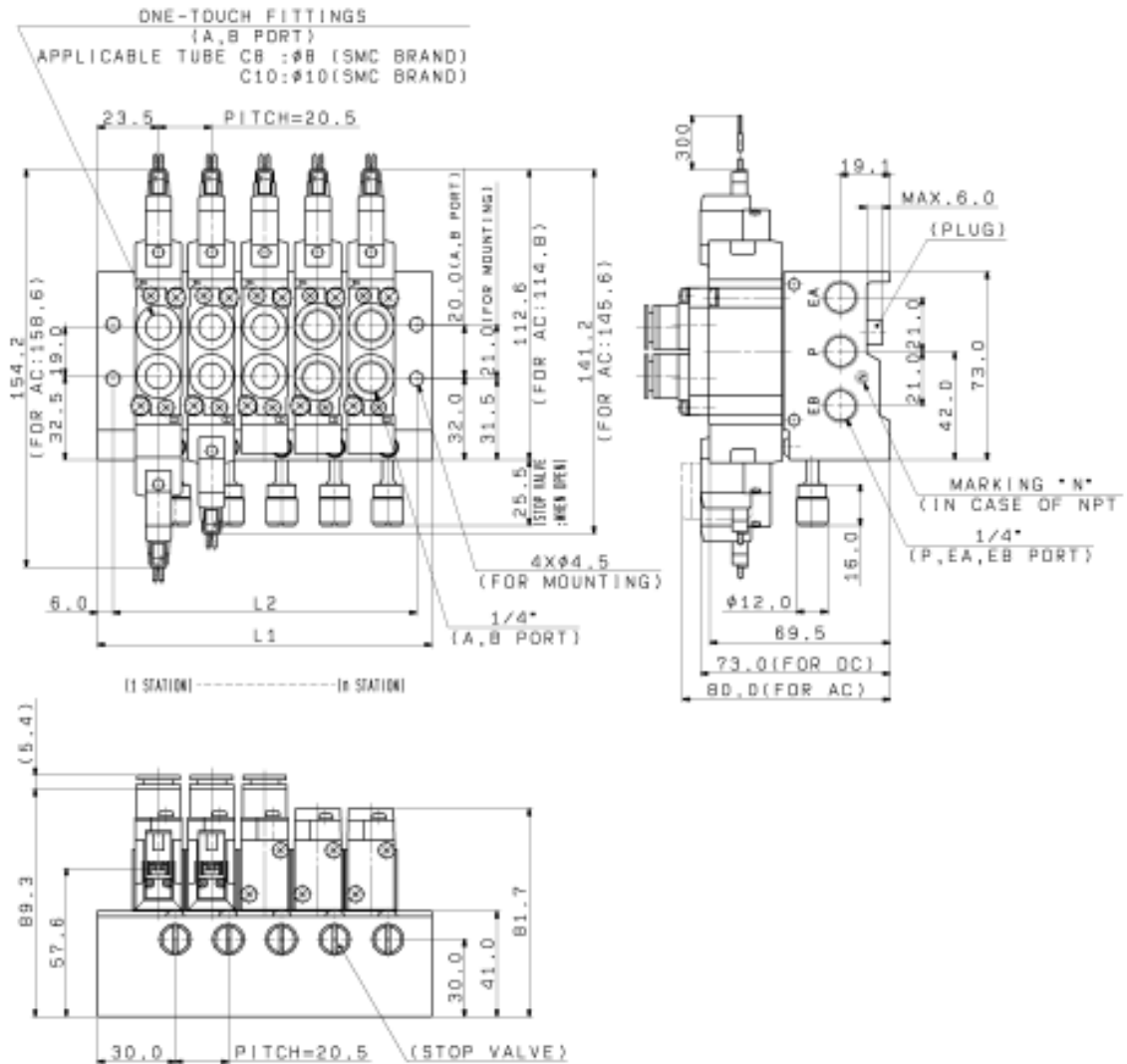
n: Stations

L \ n	1	2	3	4	5	6	7	8	9	10
L1	42	59.5	77	94.5	112	129.5	147	164.5	182	199.5
L2	32	49.5	67	84.5	102	119.5	137	154.5	172	189.5

L \ n	11	12	13	14	15	16	17	18	19	20
L1	217	234.5	252	269.5	287	304.5	322	339.5	357	374.5
L2	207	224.5	242	259.5	277	294.5	312	329.5	347	364.5

※As it is a manifold type, please select valves separately.

◇SS5Y7-X460



L: Dimensions

n: Stations

L \ n	1	2	3	4	5	6	7	8	9	10
L1	47	67.5	88	108.5	129	149.5	170	190.5	211	231.5
L2	35	55.5	76	96.5	117	137.5	158	178.5	199	219.5

L \ n	11	12	13	14	15	16	17	18	19	20
L1	252	272.5	293	313.5	334	354.5	375	395.5	416	436.5
L2	240	260.5	281	301.5	322	342.5	363	383.5	404	424.5

※As it is a manifold type, please select valves separately.

! Caution To ensure the safest possible operation of this product, please be sure to read thoroughly the "Safety Instructions" in our "Best Pneumatics" catalog before use.