



Contact our sales office for delivery dates and prices as this is a special model.

SMC P.G.Information (Specialized Product)

SP031X-055E-A
P: UY

Flameproof 3 Port Solenoid Valve

Certified by PCEC (Chinese Certification Body)

50-VPE500/700-X50

SMC CORPORATION
4-14-1, SOTO-KANDA, CHIYODA-KU,
TOKYO 101-0021, JAPAN
URL <http://www.smcworld.com>

■ Features:

PCEC* certified model (*:Supervision & test center of Ex-products of China Petroleum & Chemical Industry)



■ Specifications

Fluid	Air		
Type of actuation	N.C. or N.O. (Convertible)		
Pilot type	Internal pilot	External pilot	
Operating pressure range	0.2 to 0.8 MPa	Supply pressure	-101.2 kPa to 0.8 MPa
		External pilot pressure	0.2 to 0.8 MPa
Ambient and fluid temperature	-10 to 50°C (No freezing)		
Response time (Note)	45 ms or less		
Max. operating frequency	5 Hz		
Lubrication	Not required		
Override	Non-locking push type, Push-turn locking D type		
Mounting orientation	Unrestricted		

Note: Based on dynamic performance test, JIS B8419-1993 (0.5 MPa, at rated voltage, without surge voltage suppressor)

▪ Solenoid Specifications

*: Option

Rated voltage	AC (50/60 Hz)		100 V, 200V, 12 V*, 24 V*, 32 V*, 48 V*, 110 V*, 120 V*, 220 V*, 240 V*
	DC		24 V, 6 V*, 12 V*, 30V*, 48V*, 75V* 100V*, 110V*, 120V*, 125V*
Allowable voltage fluctuation	-15 to 10% of rated voltage		
Apparent power	AC	Inrush	9.1 VA (50 Hz), 7.8 VA (60 Hz)
		Holding	6.2 VA (50 Hz), 4.6 VA (60 Hz)
Power consumption	DC	Note1) 3.5 W (In the case of 6,12,24VDC)	
Type of protection	Flameproof enclosures construction Exd II BT4		
Lead inlet type	Metal conduit threaded type ,Flameproof enclosure cable gland (not supplied) type		
Electrical entry	Conduit terminal		
Coil insulation	Class B (130°C)		

Note1) The other voltage : 4W or less

▪ Flow-rate Characteristics

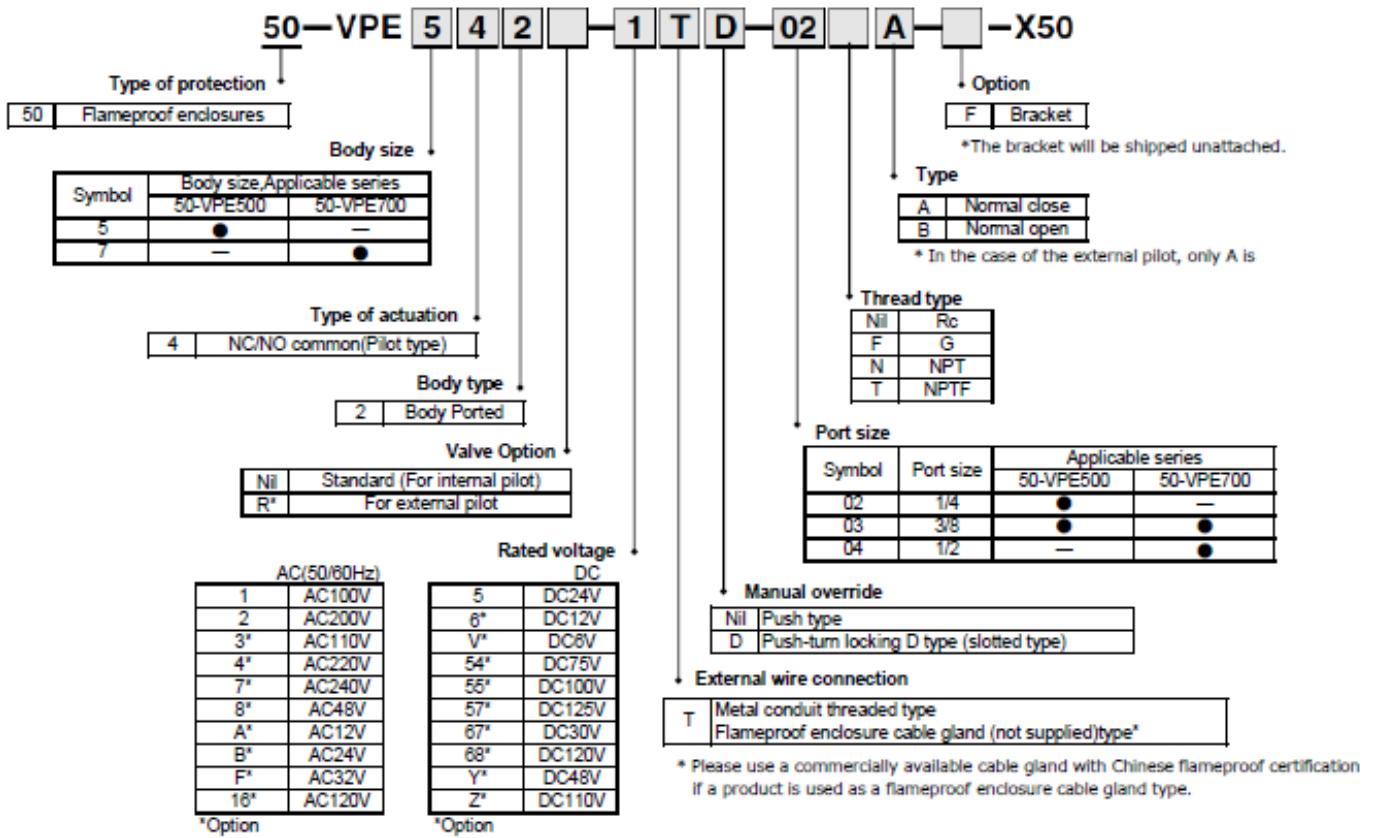
50-VPE500

Port size	Flow-rate characteristics				
		1→2 (P→A)	2→3 (A→R)	3→2 (R→A)	2→1 (A→P)
1/4	C [dm ³ /(s·bar)]	6.6	7.4	6.9	7.5
	b	0.35	0.41	0.34	0.42
	Cv	1.6	2.0	1.7	2.0
3/8	C [dm ³ /(s·bar)]	9.1	9.0	8.8	9.3
	b	0.42	0.43	0.36	0.43
	Cv	2.4	2.4	2.2	2.5

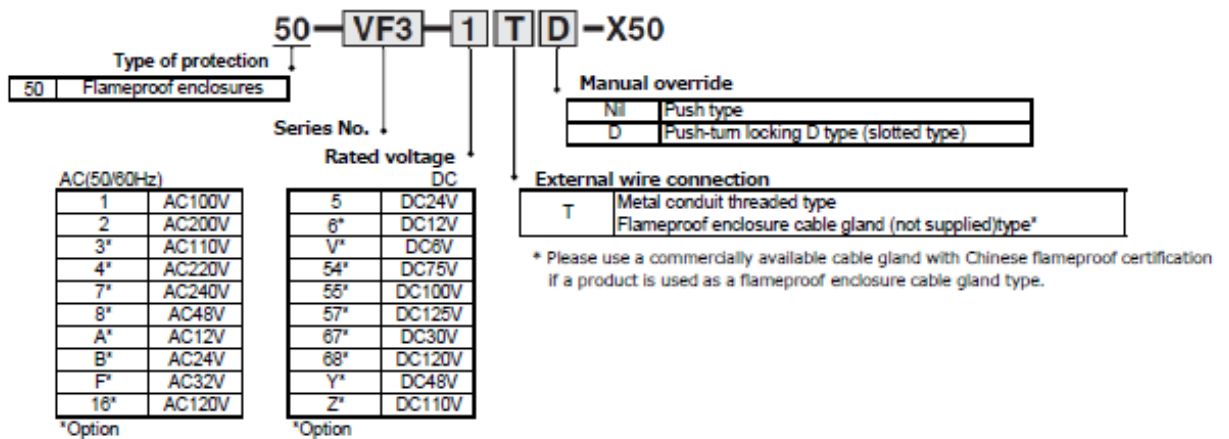
50-VPE700

Port size	Flow-rate characteristics				
		1→2 (P→A)	2→3 (A→R)	3→2 (R→A)	2→1 (A→P)
3/8	C [dm ³ /(s·bar)]	12	12	12	13
	b	0.29	0.36	0.31	0.36
	Cv	2.9	3.1	3.1	3.4
1/2	C [dm ³ /(s·bar)]	15	14	15	16
	b	0.23	0.25	0.22	0.29
	Cv	3.8	3.8	3.7	4.0

How to Order

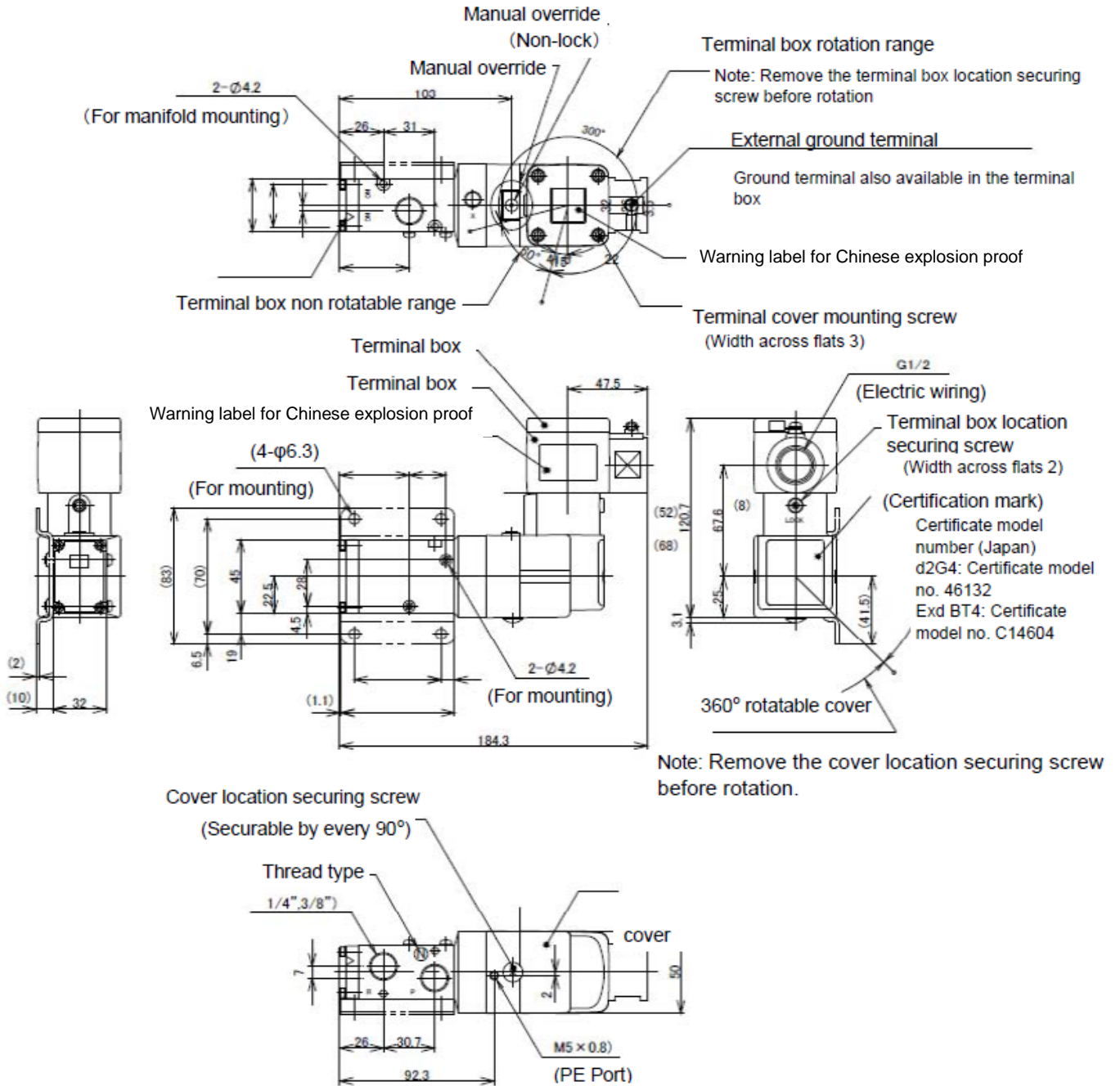


Pilot valve Ass'y How to order



■ Dimensions: mm

50-VPE542-*T-**A*-X50



⚠ Caution To ensure the safest possible operation of this product, please be sure to thoroughly read the "Safety Instructions" in our "Best Pneumatics" catalog before use.