

⚠ Contact our sales office regarding a delivery date or a price since this is a special model.

SP093X-011E  
P: NZ



*P.G.Information (Specialized product)*

**Double-layered tube for instrumentation device (single-tubed / double -tubed)**

● **IN-241-\*\*\*\*-\*\*\***

● **T0604 ~ T1075-\* -\*\*\*- (X120, X121, X166)**

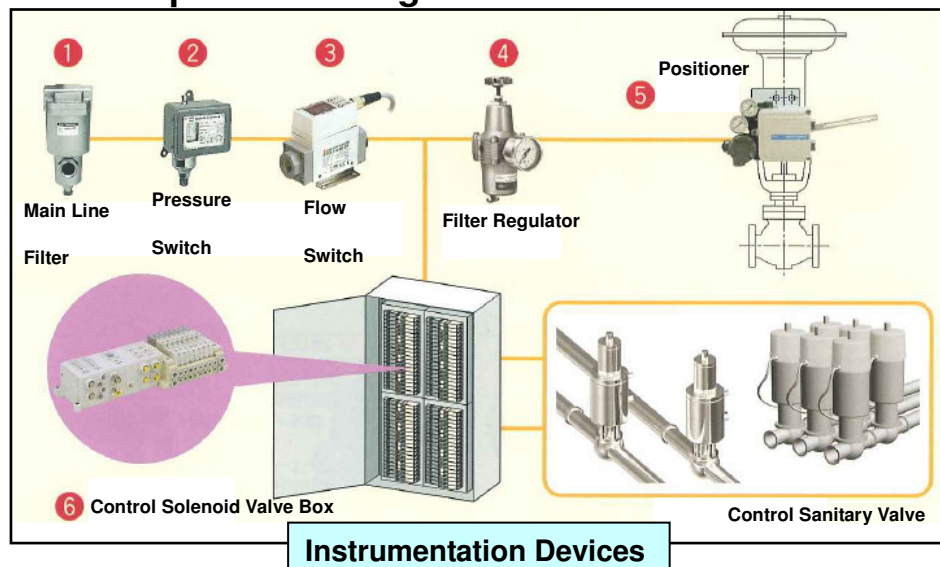
SMC CORPORATION  
4-14-1, SOTO-KANDA, CHIYODA-KU,  
TOKYO 101-0021, JAPAN  
URL: <http://www.smcworld.com>

- Feature:**
- Double-layered tube with an external layer of vinyl chloride or polyolefin to protect the inner tube
  - Double-tubed type (Color: black + black/black + white) and 500m length are available.
  - \* If you need a different no. of tubes, different colors or lengths over 500m, please contact our sales representatives.





	Single-tubed	Double-tubed
packaged		
Before use		

\* The product no. in the above pictures is T064-2-100-X121.

**Application example: Air tubing to control instrumentation devices**



# Model/Specifications:

Specifications															Model	Double-tube type  Cross-sectional view					
Inner tube Material : Nylon					Outer layer color : Black				Length per roll												
D. mm	Cores		Color		Line for differentiation	Material		Thickness		100 m		200 m		300 m			500 m				
	1	2	Black	Black+White		PVC	Polyolefin	0.5	1	Reel	Roll	Reel	Reel	Roll	Reel	Reel	Roll				
O.D. φ6  I.D. φ4	●		●				●	●		●								IN-241-2522-100	T0604-2- *-X120 IN-241-1047  T0604-1-100-X120-A T0604-1-300-X120-A T0604-1-500-X120-A T0604-2-100-X120-A T0604-2-100-X121-A IN-241-1047 T0604-2- *-X121 		
	●		●				●	●					●					IN-241-2522-300			
	●		●				●		●	●										T0604-1-100-X120-A	
	●		●				●		●					●						T0604-1-300-X120-A	
	●		●				●		●								●			T0604-1-500-X120-A	
		●		●			●		●	●										T0604-2-100-X120-A	
		●		●			●		●	●										T0604-2-100-X121-A	
		●		●			●		●					●						IN-241-1047	
O.D. φ8  I.D. φ6	●		●				●	●		●									IN-241-2523-100		
	●		●				●	●					●						IN-241-2523-300		
	●		●				●		●	●									T0806-1-100-X120-A		
	●		●				●		●							●			T0806-1-300-X120		
		●	●		●		●	●			●								IN-241-2502-100		
		●		●			●	●			●								IN-241-2593-100		
O.D. φ10  I.D. φ7.5	●		●				●		●	●									T1075-1-100-X120-A		
	●		●				●		●						●				T1075-1-300-X120		
	●		●				●		●							●			T1075-1-500-X120-A		
		●	●		●		●	●			●								IN-241-2503-100		
		●		●			●	●			●										IN-241-2594-100
		●		●			●	●							●						T1075-2-300-X166
		●		●			●	●													

If you need a different no. of tubes, different colors or lengths over 500m, please contact our sales representatives.

## Specifications :

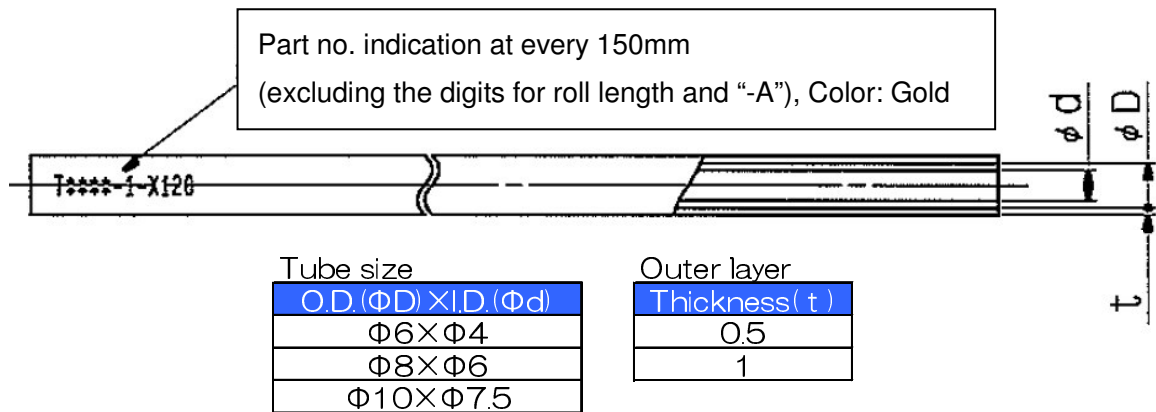
Fluid	Air
Max. operating pressure (at 20°C)	1.5MPa
Ambient and fluid temperature	-20 ~ 60°C

Mass
(A reference) T1075-2-300-X166 ● Inner tube : O.D. $\phi$ 10, I.D. $\phi$ 7.5 ● 2 cores ● Outer layer thickness 0.5mm ● 300m reel
37kg

\* Please see "Model/Specifications" above for further details.

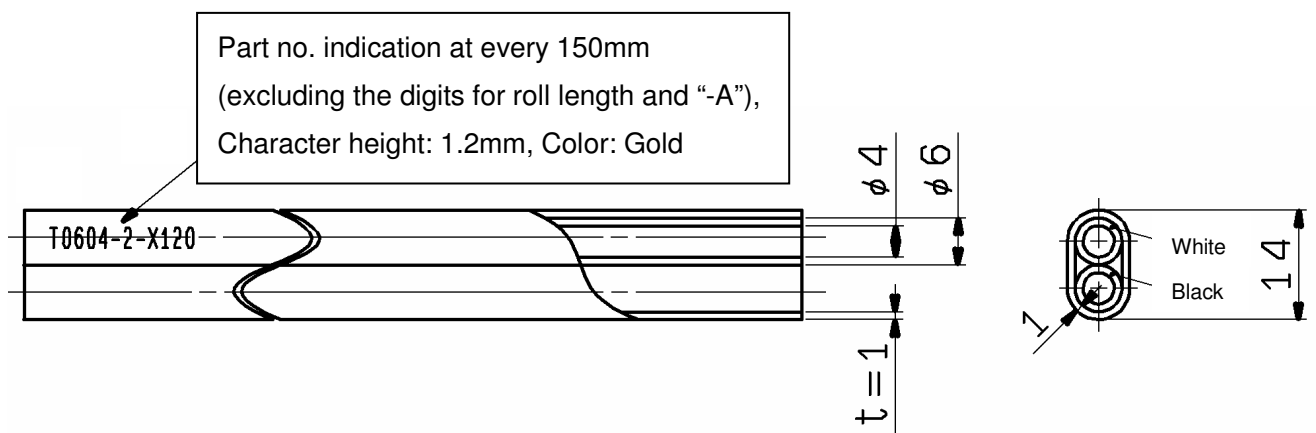
## Dimensions: mm

◇ No. of cores: 1 core

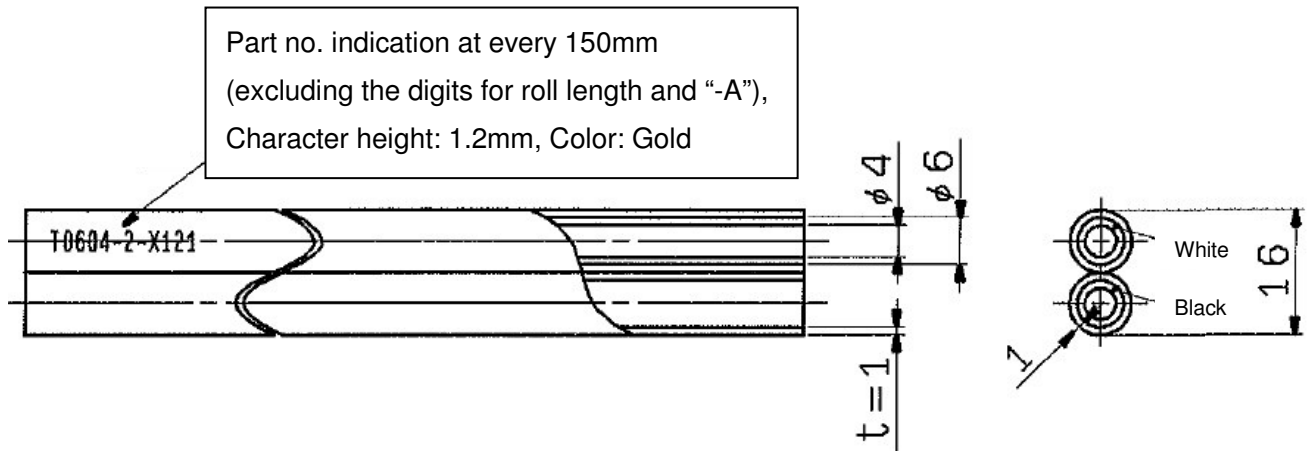


◇ No. of cores: 2 cores

•IN-241-1047、•T0604-2-100-X120-A

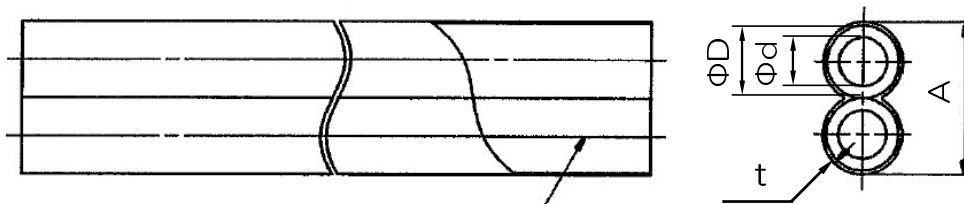


▪T0604-2-100-X121-A



\* The part no. is indicated on the product only for T\*\*\*-X120 and X121.

▪Except above mentioned tube



Line for differentiation

\* Inner tube color:  
If both of the inner tubes are black, one of them will have a line.

Tube size
O.D.( $\Phi$ D) × I.D.( $\Phi$ d)
$\Phi 8 \times \Phi 6$
$\Phi 10 \times \Phi 7.5$

Outer layer
Thickness ( t )
0.5
1

Width		
O.D.( $\Phi$ D) × I.D.( $\Phi$ d)	Thickness ( t )	Width( A )
$\Phi 8 \times \Phi 6$	0.5	17
	1	18
$\Phi 10 \times \Phi 7.5$	0.5	21
	1	22

**Caution** To ensure the safest possible operation of this product, please be sure to read thoroughly the “Safety Instructions” in our “Best Pneumatics” catalog before use.