

 Contact our sales office regarding a delivery date or a price since this is a special model.

SP111X-007E
P: PX

 **P.G.Information** (Specialized Product)

Safety controller system
Dual residual pressure release valve
3 port solenoid valve / VP544-X538

SMC CORPORATION
4-14-1, SOTO-KANDA,
CHIYODA-KU,
TOKYO 101-0021, JAPAN
URL: <http://www.smcworld.com>

■ Features:

Safety standard ISO13849-1 for category 3 and 4*

Dual residual pressure release valve with detection of main valve position.

- It is possible to detect the on/off positions of the main valves.



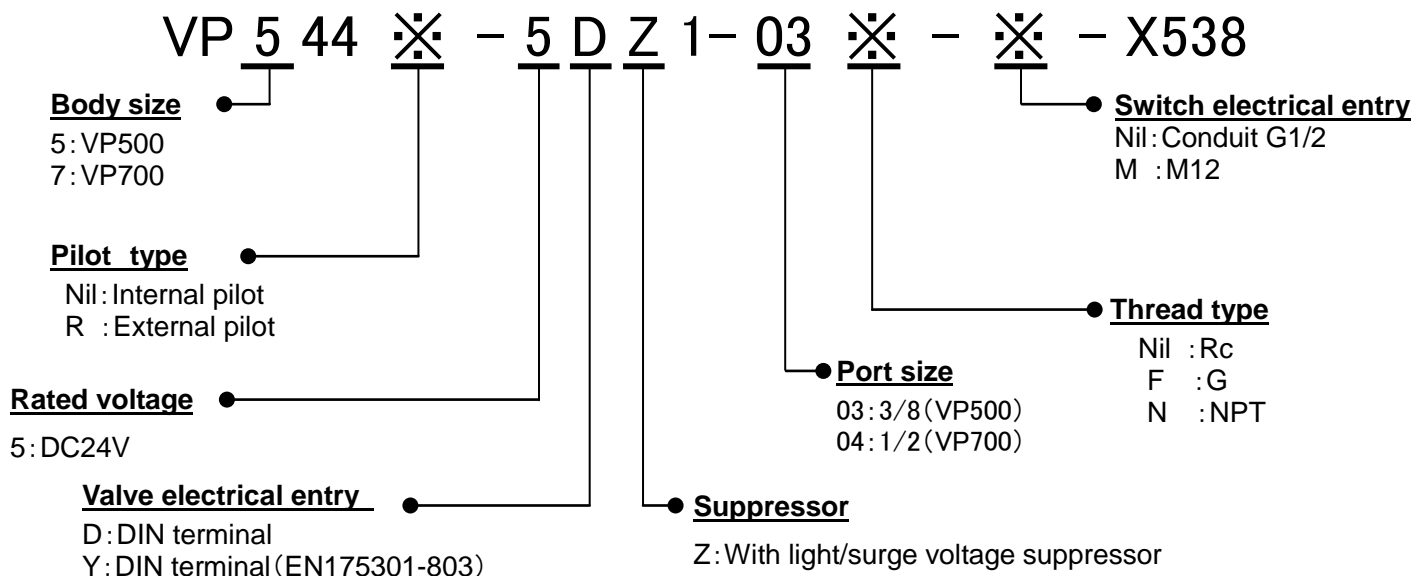
VP544-X538

| Model | Application |
|--------------------------|---|
| VP544-X538 VP744-X538 | Safety standards ISO13849-1 Category 3 and 4 |

* This product is component which is a part of a safety system and safety equipment is not guaranteed by this single unit alone.

■ How to Order :

◇ VP544-X538, VP744-X538



■ Specifications:
< Valve Specifications >

| | VP544-X538* ¹⁾ VP744-X538* ¹⁾ | VP544R-X538 VP744R-X538 |
|-------------------------------|---|--|
| Fluid | Air | |
| Type of actuation | NC(Return spring) | |
| Operating pressure range | 0.25 to 0.7MPa | |
| Operation | Internal pilot type | External pilot type |
| External pilot pressure | - | 0.25 to 0.7MPa (Same as operating pressure) |
| Max.operating frequency | 30 times/min. | |
| Min. operating frequency | 1time/ week | |
| Ambient and fluid temperature | -10 to 50°C (No freezing) | |
| Ambient | 20 to 90%RH (No freezing) | |
| Lubrication | No required | |
| Shock/Vibration | 150 / 30 m/s ² | |
| Enclosure | IP65 | |
| Operating environment | Indoors | |
| Weight | 930g (VP544-X538)/ 1510g (VP744-X538) | |
| B10D (MTTFD Calculation) | 10,000,000 times (VP544-X538)/ 10,000,000 times (VP744-X538) | |

- * 1) If there is not enough air supply at the P port or the supply pressure for the valve decreases to 0.25MPa or less of the min. operating pressure, the valves may not switch correctly. Please utilize the external pilot type (VP542R-X536, VP742-X536) and supply enough air pressure to the external port in such a case.

<Fluid>

◇ VP544(R)-X538

| Operating pressure | 1→2(P→A) | 2→3(A→R) |
|------------------------------|----------|----------|
| C [dm ³ /(s·bar)] | 6.5 | 6.7 |
| b | 0.08 | 0.10 |
| Cv | 1.3 | 1.3 |

◇ VP744(R)-X538

| Operating pressure | 1→2(P→A) | 2→3(A→R) |
|------------------------------|----------|----------|
| C [dm ³ /(s·bar)] | 10.3 | 9.7 |
| b | 0.08 | 0.08 |
| Cv | 2.3 | 2.1 |

<Solenoid Specifications>

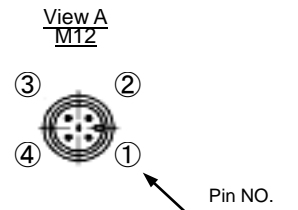
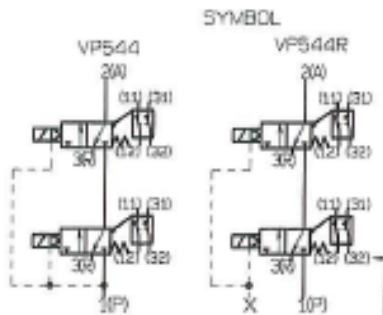
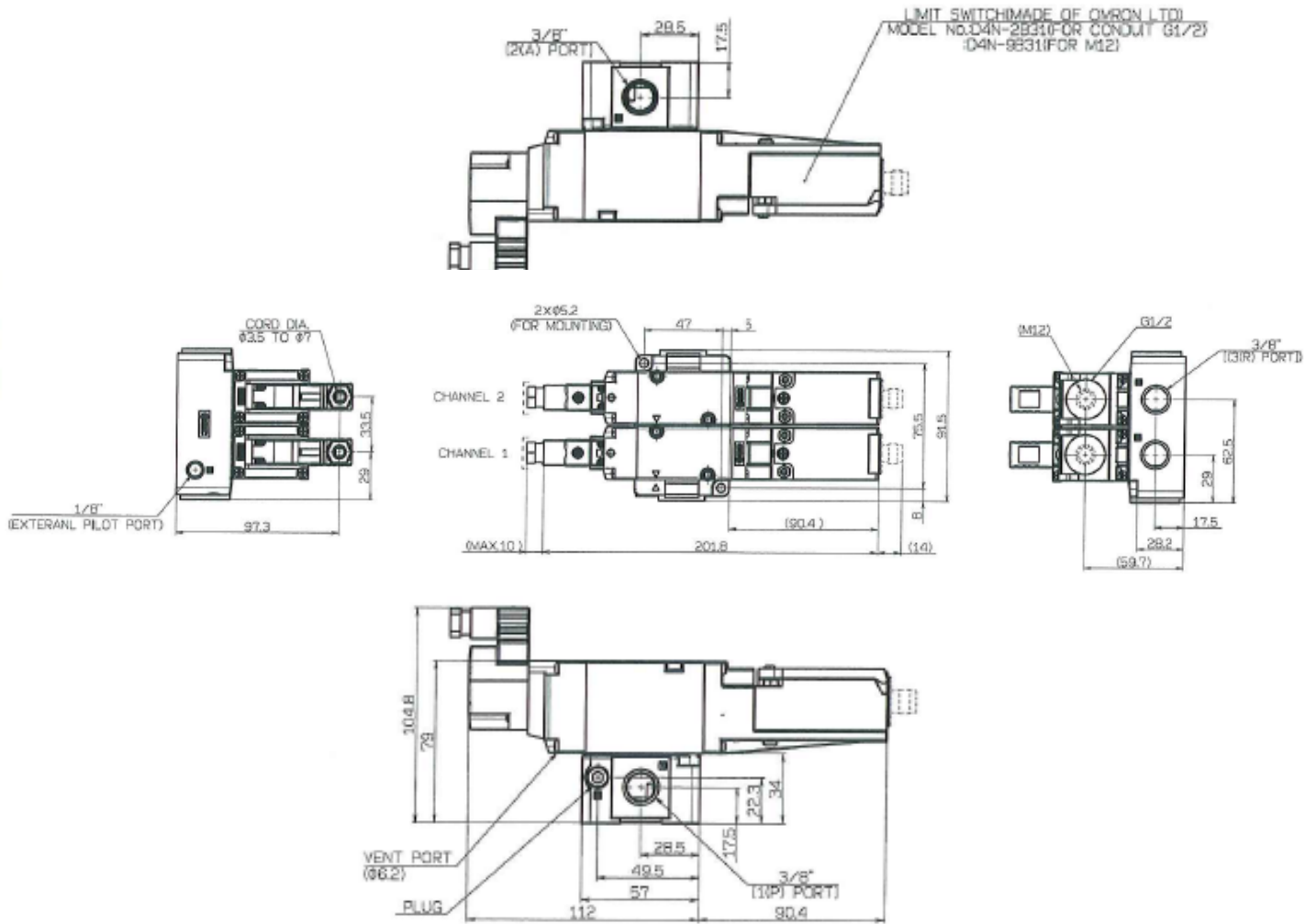
| | |
|-------------------------------|-------------------------------|
| Electrical entry | DIN terminal |
| Rated voltage | DC24V |
| Allowable voltage Fluctuation | -10% to +10% of Rated voltage |
| Power Consumption | 0.45W |
| surge voltage suppressor | Varistor |
| Indicator | LED |

<Limit switch Specifications>

| | |
|-----------------------------------|-----------------------------|
| Electrical wiring | Conduit G1/2, M12 Connector |
| Contact resistance | 50mΩ or less |
| Min. applicable load | DC5V 1mA (Load resistance) |
| Max. voltage | DC24V |
| Max. load current | 50mA |
| Max. load inductance | 0.5H |
| Insulation voltage | 300V |
| Protection against electric shock | Class II (EN60947-5-1:2004) |

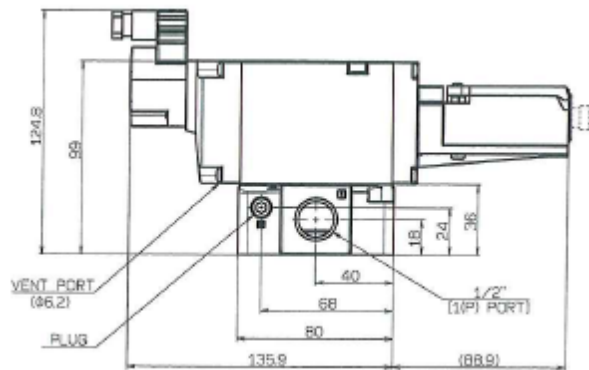
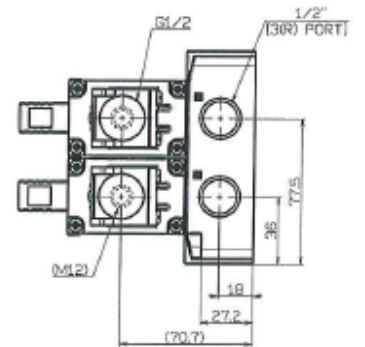
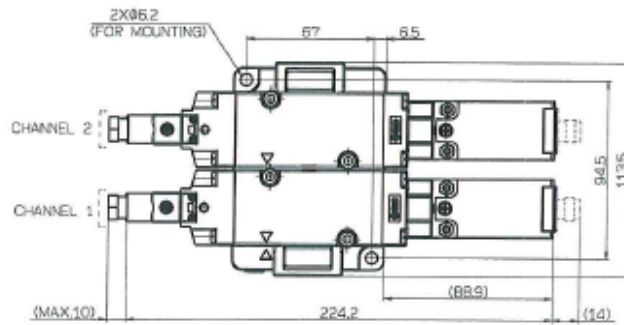
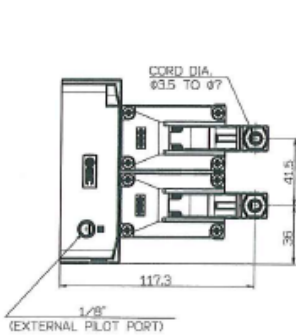
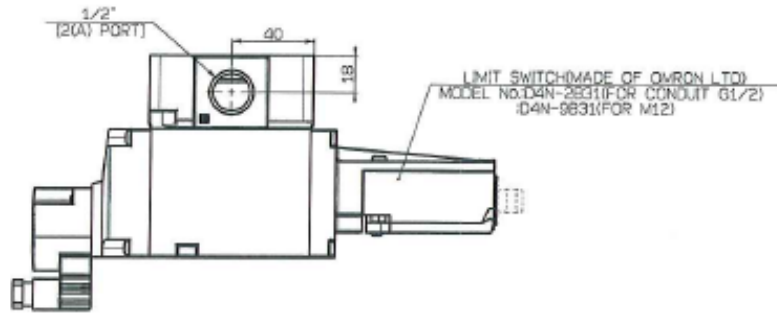
■ Dimensions: mm

◇ VP544(R)-X538

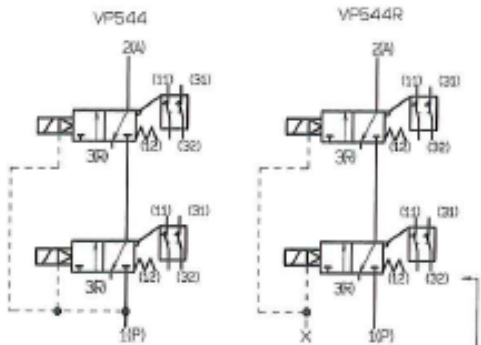


TERMINAL No. LIMIT SWITCH(N.C.)
FOR CONDUIT G1/2

◇ VP744(R)-X538

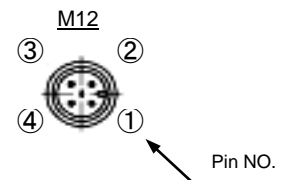


SYMBOL



TERMINAL No. LIMIT SWITCH(N.C.)
FOR CONDUIT G1/2

View A



Caution To ensure the safest possible operation of this product, please be sure to read thoroughly the "Safety Instructions" in our "Best Pneumatics" catalog before use.