

 Contact our sales office regarding a delivery date or a price since this is a special model.

SP118F-001J  
P: PT

 **P.G.Information** (Specialized Product)

**Conforming to NAMUR standards**

**Interface Valve / VFN2120N-X23**

**VFN2120N-X36**

SMC CORPORATION  
4-14-1, SOTO-KANDA,  
CHIYODA-KU,  
TOKYO 101-0021, JAPAN  
URL: <http://www.smcworld.com>

■ **Features:**

**Hygienic design**

- Resin body with less concaves  
Direct cleaning of valve is possible (IP67).

**3 port / 5 port available**

- Function plate realized 3 / 5 port selectable

**Low power consumption**

- Power consumption: 0.5W  
(Conventional model: 1.8W) \* DC specifications

**Conforming to CE standards**

**Port threads: NPT1/4, G1/4 available**



VFN2120N-X23



VFN2120N-X36

Model	Electrical entry
VFN2120N-X23	Vertical entry to piping port
VFN2120N-X36	Horizontal entry to piping port

■ **Specifications:**

**< Valve Specifications >**

Fluid	Air
Operating pressure range	0.15 to 0.9MPa
Ambient and fluid temperature	-10 to +60°C
Lubrication	Not required
Manual override	Push type / Locking type (tool required) / Locking type (manual type)
Enclosure	Equivalent to IP67
Thread port size	1/4"
Flow characteristics (Cv / Effective area)	0.8 / 11mm <sup>2</sup>

## < Electrical Specifications >

<b>Rated voltage</b>	24VDC
<b>Allowable voltage fluctuation</b>	-15 to +10% of
<b>Type of coil insulation</b>	Class B
<b>Power consumption</b>	0.5W

### ■ How to Order :

VFN2120N-X23 / VFN2120N-X36

VFN2120N-5 ☒-02 N-☒☒-X23 A-☒

**Voltage**

5: 24VDC

**Manual**

Nil: Push type

B: Locking type (Tool required)

C: Locking type (Manual type)

**1/3/5 port thread size**

02: 1/4"

**1/3/5 port thread type**

N: NPT

F: G

**Mounting thread type**

Nil: UNF10-32 thread

M: M5x0.8 thread

N: No mounting thread

**CE - compliant**

Nil: -

Q: CE - compliant

**Valve specifications**

A: 3 port (Coil side: A port)

B: 5 port (Coil side: B port)

C: 3 port (Coil side: B port)

D: 5 port (Coil side: A port)

**Special configuration**

**(Electrical entry)**

X23: Vertical entry to piping port

X36: Horizontal entry to piping port

**Check valve**

Nil: Available

0: Not available

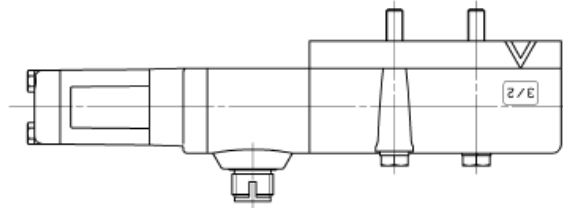
Function plate Ass'y \*

Model No.	Valve specifications
AXT842-30-10-A	3 port (Coil side: A port)
AXT842-30-10-B	5 port (Coil side: B port)
AXT842-30-10-C	3 port (Coil side: B port)
AXT842-30-10-D	5 port (Coil side: A port)

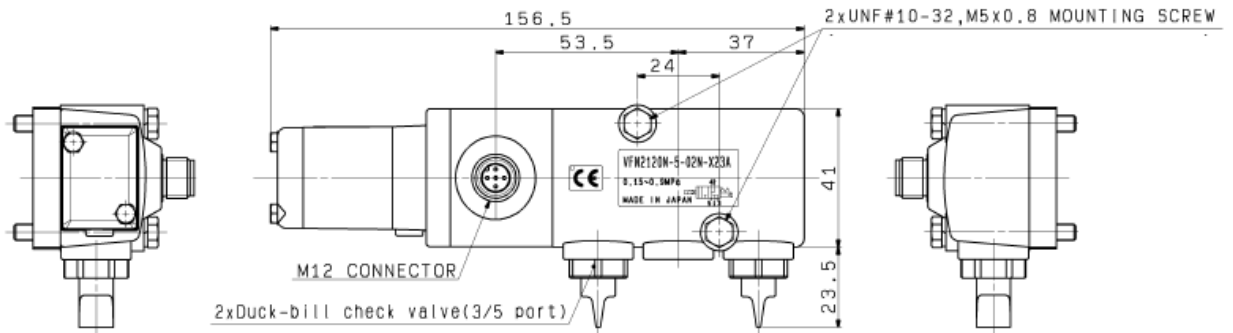
\* Valve specifications can be freely changed by changing the function plate.

# ■ Dimensions: mm

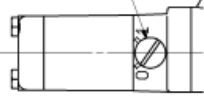
## □ VFN2120N-X23A



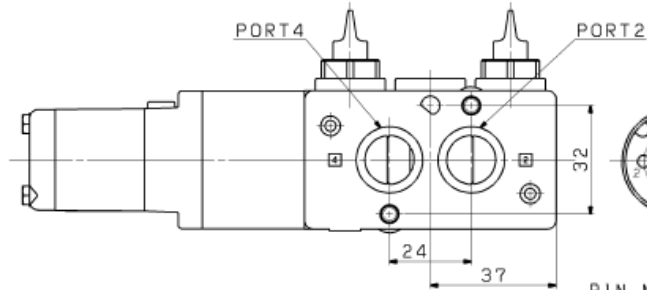
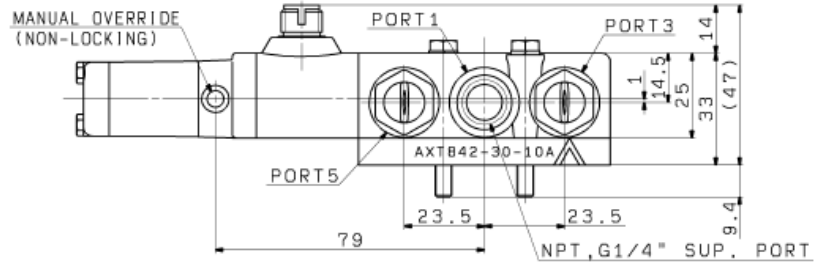
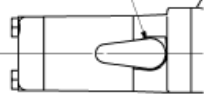
SYMBOL



LOCKING TYPE  
(TOOL REQUIRED)



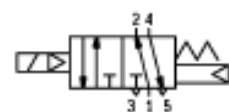
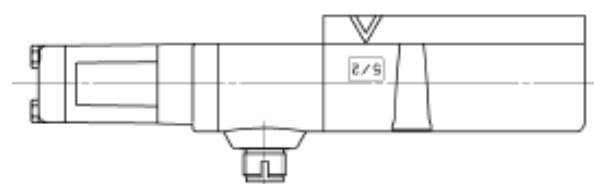
LOCKING TYPE  
(MANUAL TYPE)



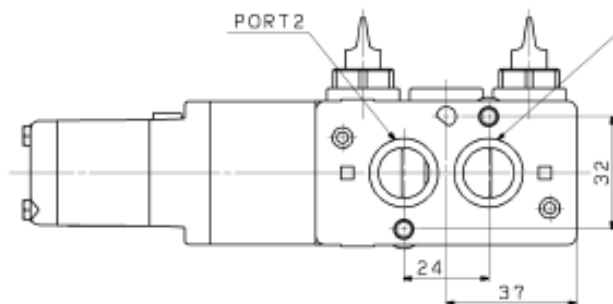
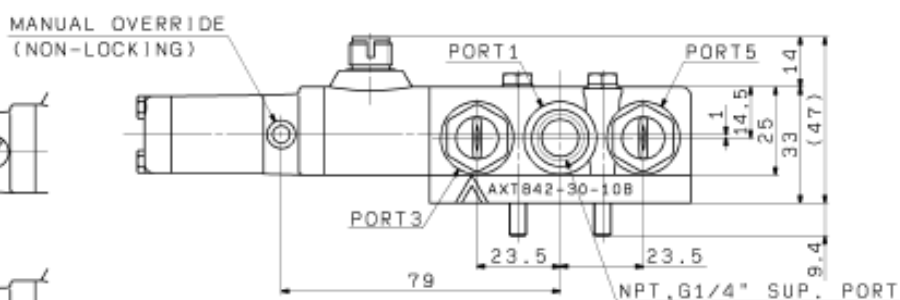
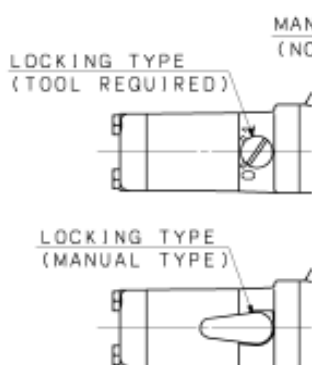
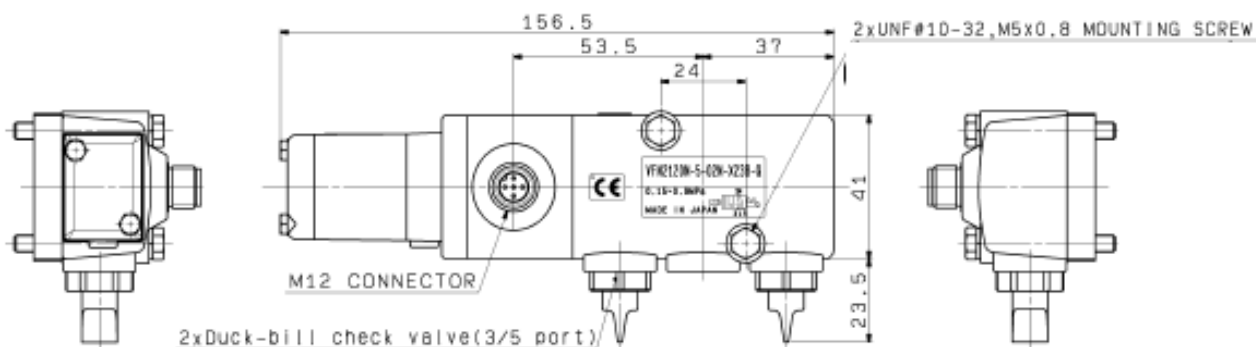
PIN NO.  
1: NOT USED  
2: NOT USED  
3: COM. (-)  
4: 14 SIDE SOL. (+)  
5: NOT USED

PIN NO. ASSIGNMENT FOR M12 CONNECTOR

# ◇ VFN2120N-X23B



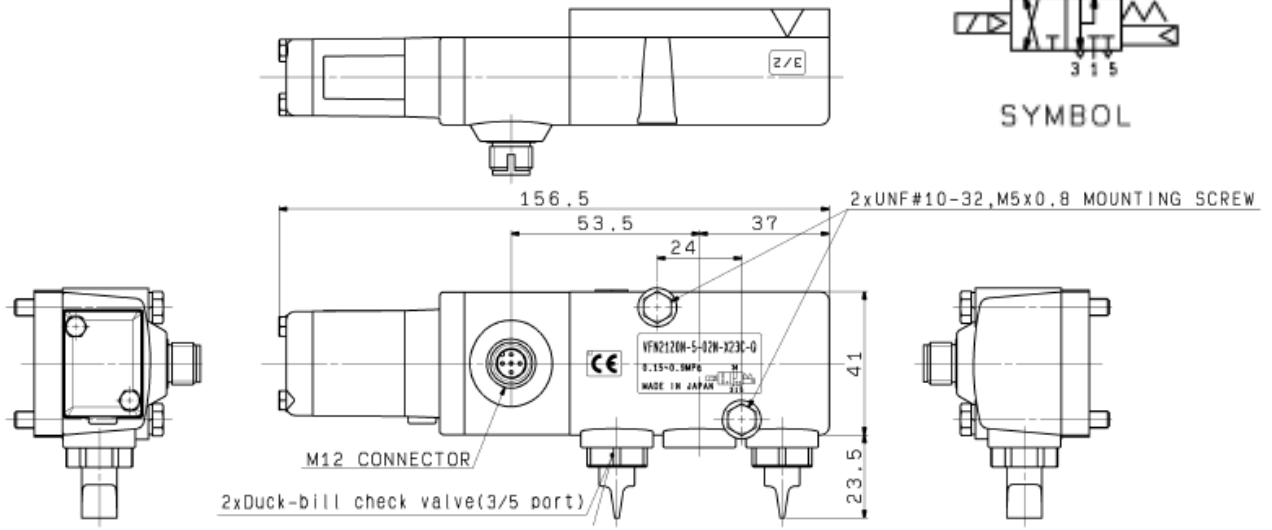
SYMBOL



# ◇ VFN2120N-X23C



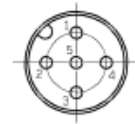
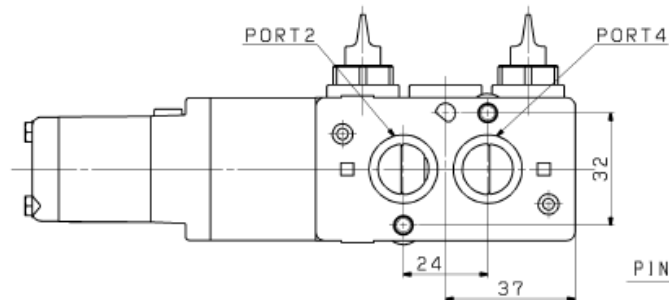
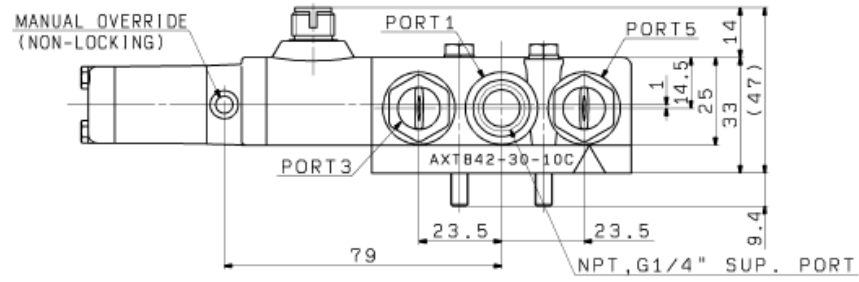
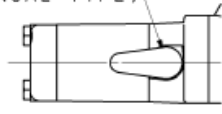
SYMBOL



LOCKING TYPE (TOOL REQUIRED)



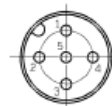
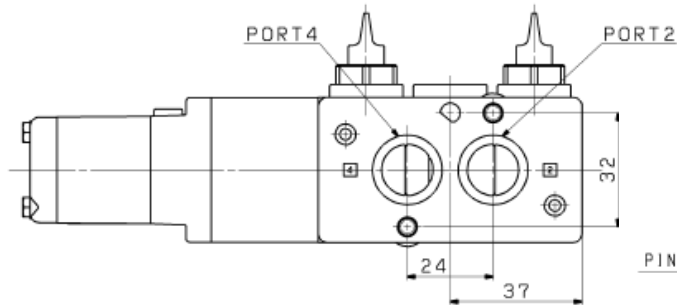
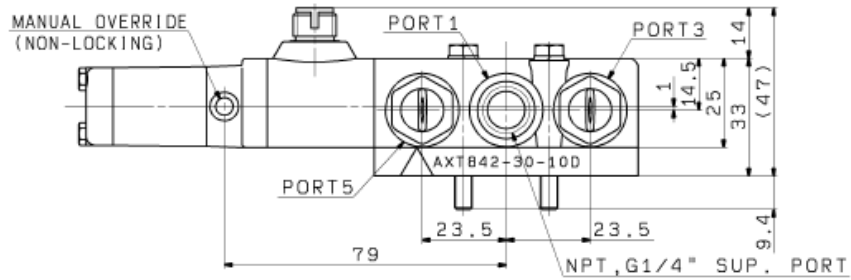
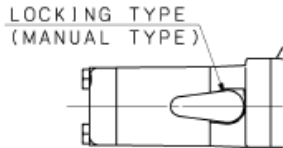
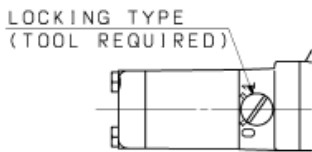
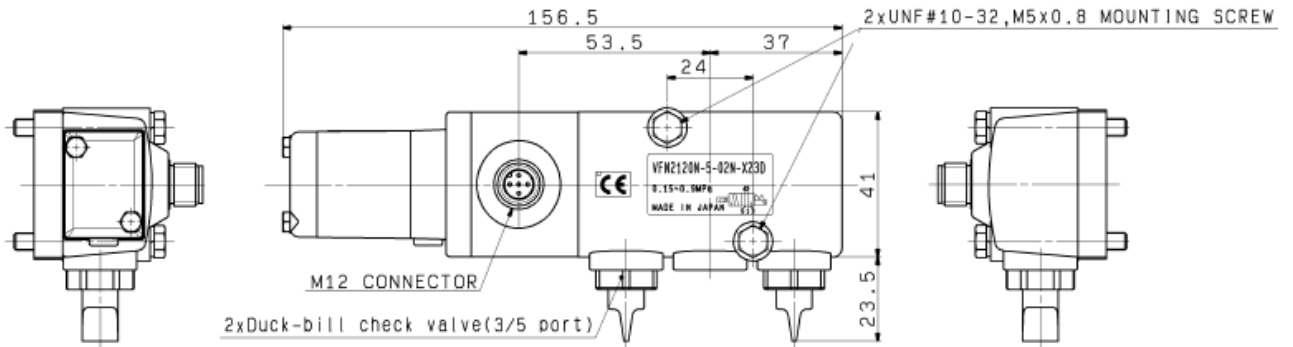
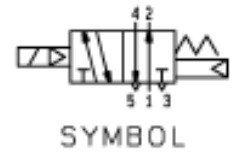
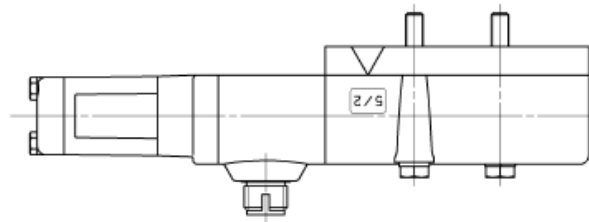
LOCKING TYPE (MANUAL TYPE)



- PIN NO.  
 1: NOT USED  
 2: NOT USED  
 3: COM. (-)  
 4: 14 SIDE SOL. (+)  
 5: NOT USED

PIN NO. ASSIGNMENT FOR M12 CONNECTOR

# ◇ VFN2120N-X23D

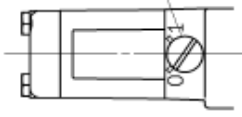


- PIN NO.  
 1: NOT USED  
 2: NOT USED  
 3: COM. (-)  
 4: 14 SIDE SOL. (+)  
 5: NOT USED

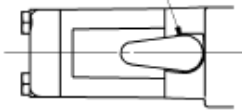
PIN NO. ASSIGNMENT FOR M12 CONNECTOR

# ◇ VFN2120N-X36A

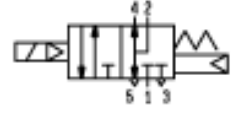
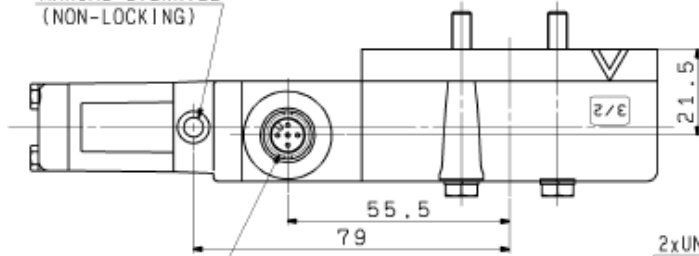
LOCKING TYPE  
(TOOL REQUIRED)



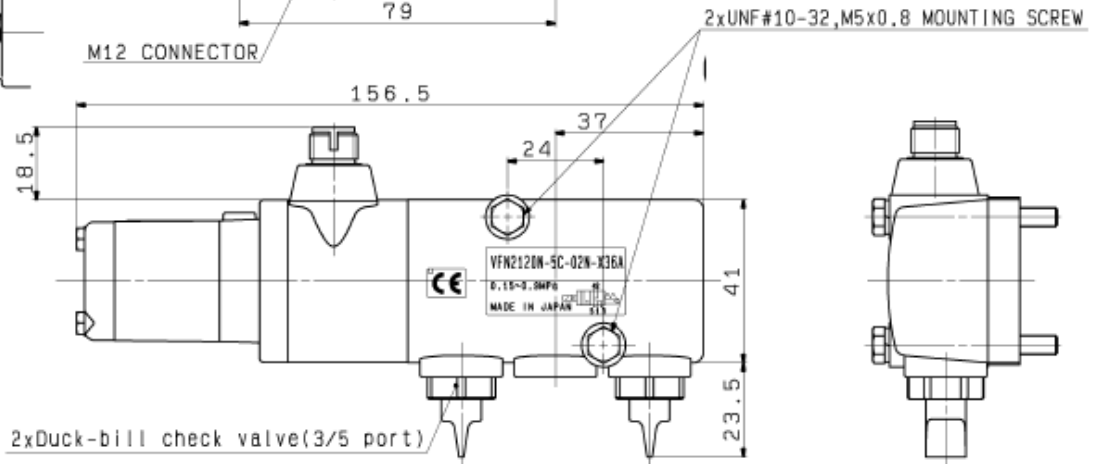
LOCKING TYPE  
(MANUAL TYPE)



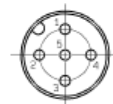
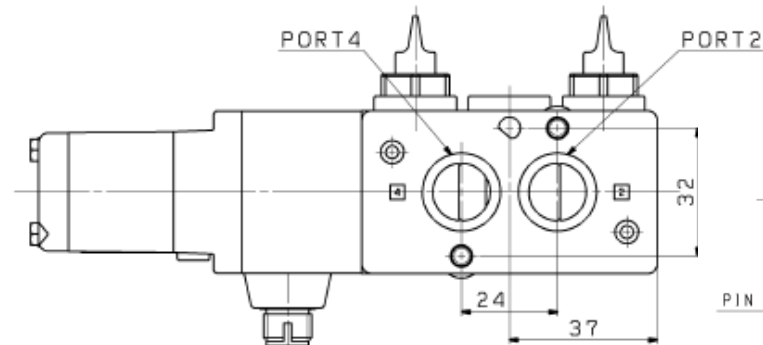
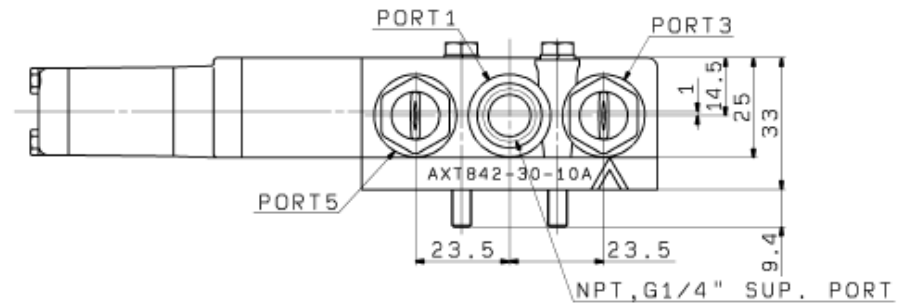
MANUAL OVERRIDE  
(NON-LOCKING)



SYMBOL



2xDuck-bill check valve(3/5 port)

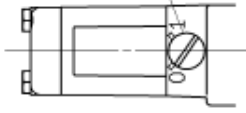


PIN NO.  
1: NOT USED  
2: NOT USED  
3: COM. (-)  
4: 14 SIDE SOL. (+)  
5: NOT USED

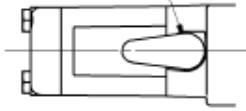
PIN NO. ASSIGNMENT FOR M12 CONNECTOR

# ◇ VFN2120N-X36B

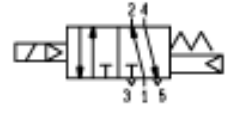
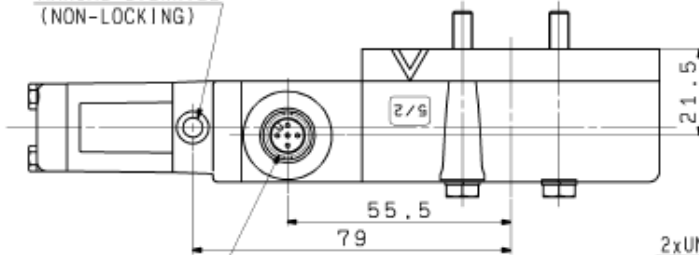
LOCKING TYPE  
(TOOL REQUIRED)



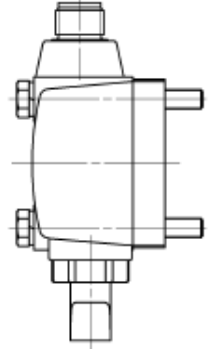
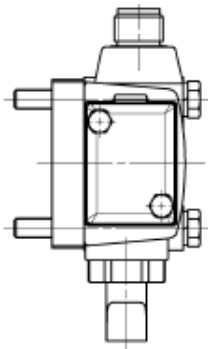
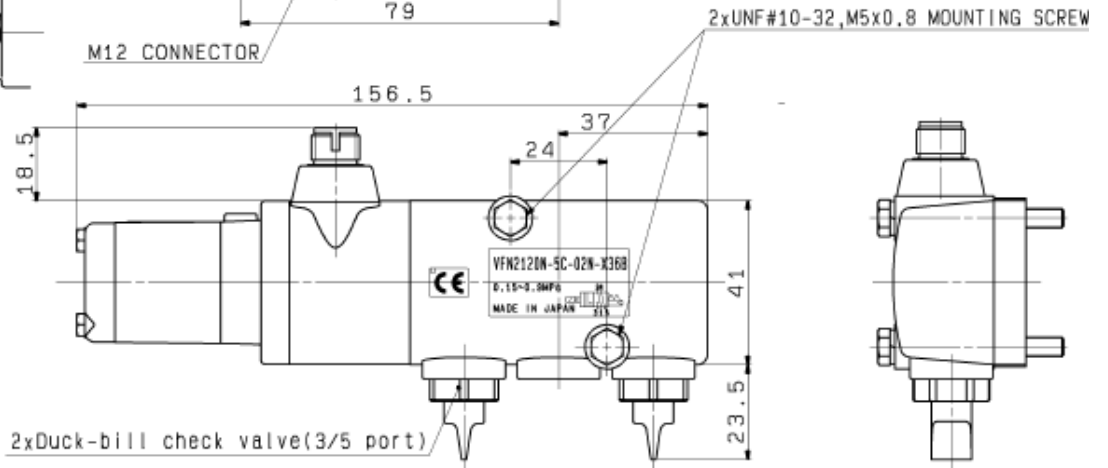
LOCKING TYPE  
(MANUAL TYPE)



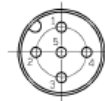
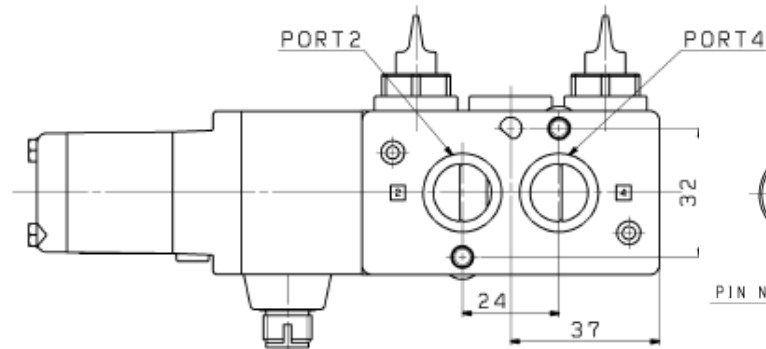
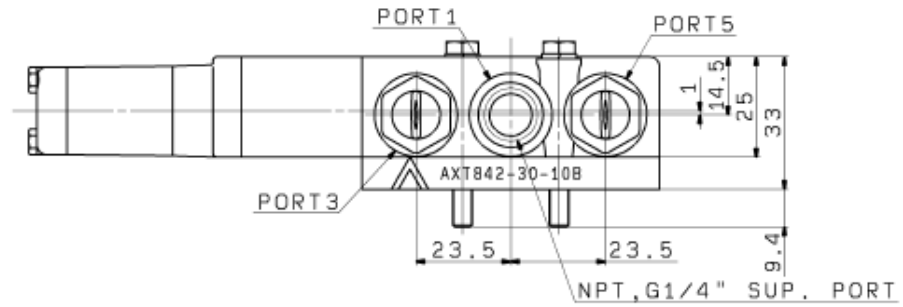
MANUAL OVERRIDE  
(NON-LOCKING)



SYMBOL



2xDuck-bill check valve(3/5 port)



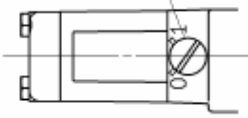
PIN NO.  
1: NOT USED  
2: NOT USED  
3: COM. (-)  
4: 14 SIDE SOL. (+)  
5: NOT USED

PIN NO. ASSIGNMENT FOR M12 CONNECTOR

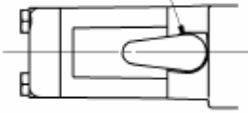


# ◇ VFN2120N-X36C

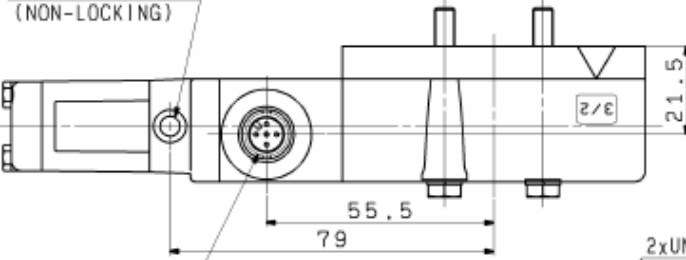
LOCKING TYPE  
(TOOL REQUIRED)



LOCKING TYPE  
(MANUAL TYPE)



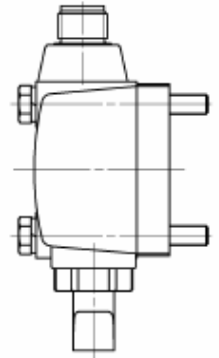
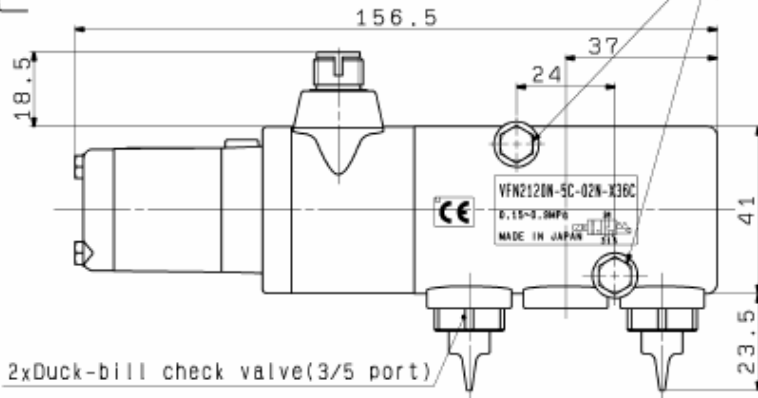
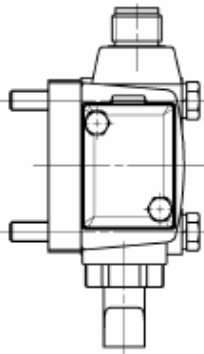
MANUAL OVERRIDE  
(NON-LOCKING)



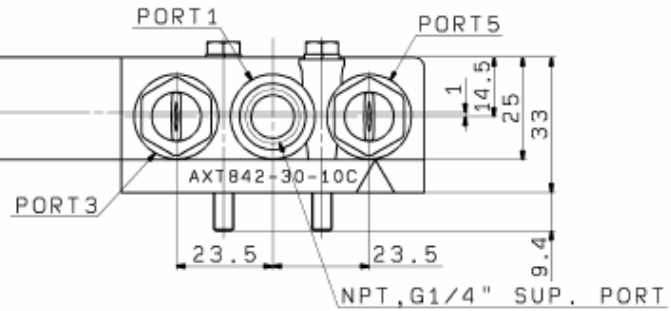
SYMBOL

2xUNF#10-32,M5x0.8 MOUNTING SCREW

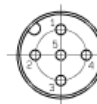
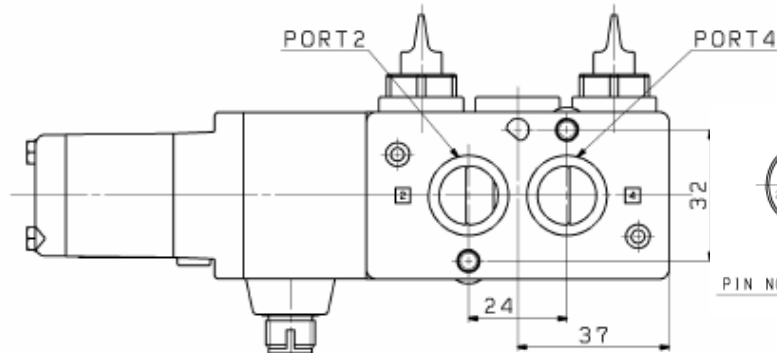
M12 CONNECTOR



2xDuck-bill check valve(3/5 port)



NPT,G1/4" SUP. PORT



- PIN NO.  
 1: NOT USED  
 2: NOT USED  
 3: COM. (-)  
 4: 14 SIDE SOL. (+)  
 5: NOT USED

PIN NO. ASSIGNMENT FOR M12 CONNECTOR

# ◇ VFN2120N-X36D

