

 Contact our sales office for delivery dates and prices as this is a special model.

 **P.G.Information** (Specialized Product)

SP123X-021E
P: RQ

Pressure Relief 3-port Ball Valve

For pressure relief between valve and cylinder

Series VHA200

SMC CORPORATION
4-14-1, SOTO-KANDA,
CHIYODA-KU,
TOKYO 101-0021, JAPAN
URL <http://www.smcworld.com>

■ **Features**: Valve structure of reliable operation, drain & dust resistant.

VHA200-02



Built-in silencer

VHA200-C06-X410

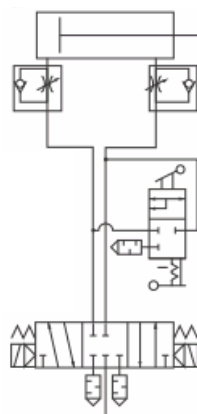
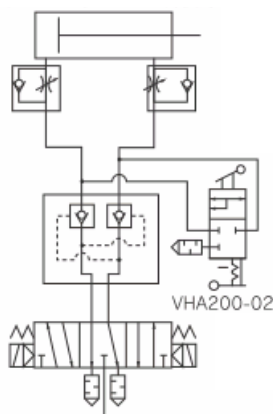


Low-profile body, universal porting
Built-in one-touch fitting

■ Examples of residual pressure relief circuit

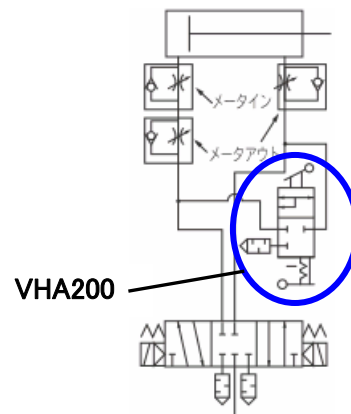
- Circuits which retain the residual pressure regardless of the main valve position
- Application to hold the cylinder position in cases of the supply pressure interruption

(Circuit with pilot check valves)



Example of lurching prevention circuit

Direction of possible lurching →

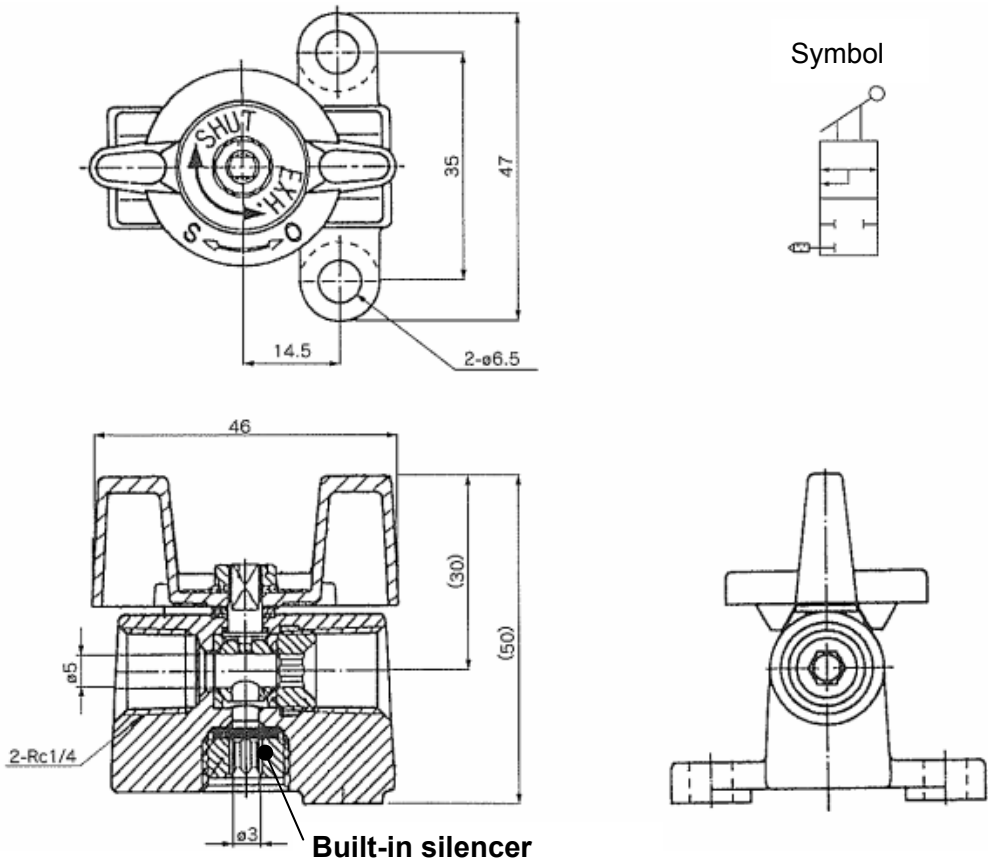


■ Specifications

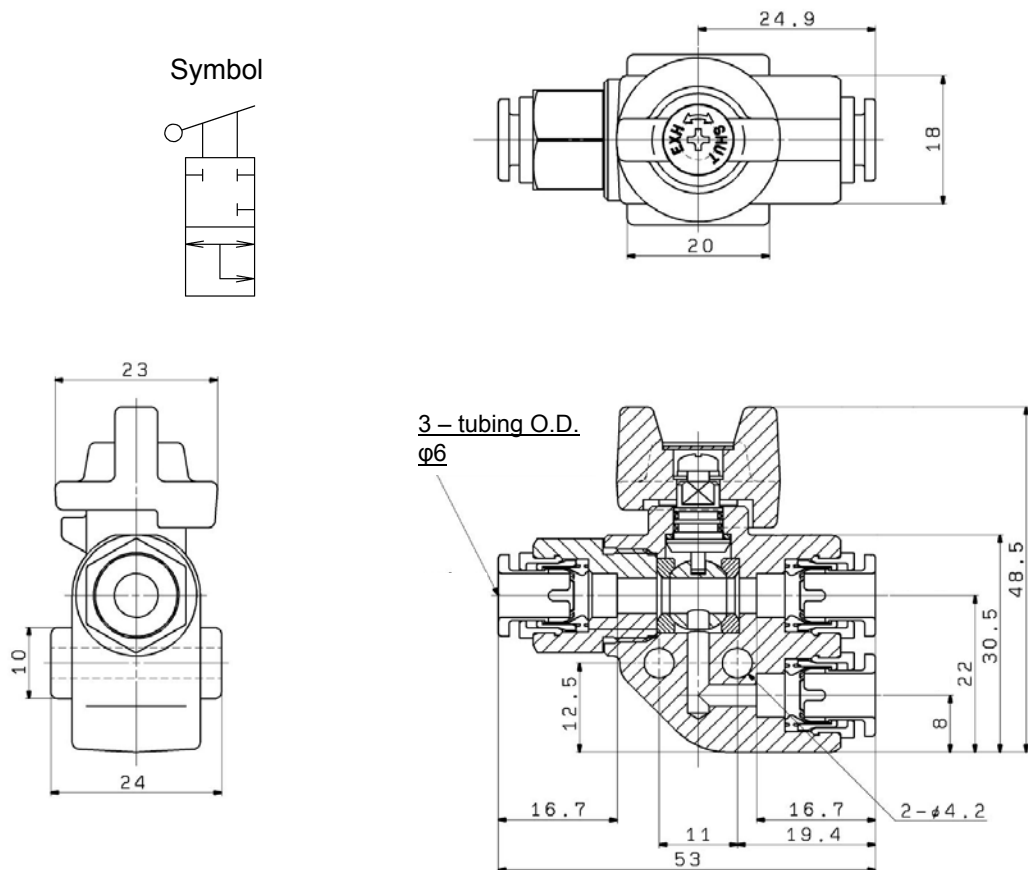
Model	VHA200-02	VHA200-C06-X410
Proof pressure	1.5MPa	
Operating pressure range	0~1.0MPa	
Ambient and fluid temperature	-5~60°C (No freezing)	
Fluid	Air	
Port size	Rc1/4	Applicable tubingφ6

■ Dimensions(mm)

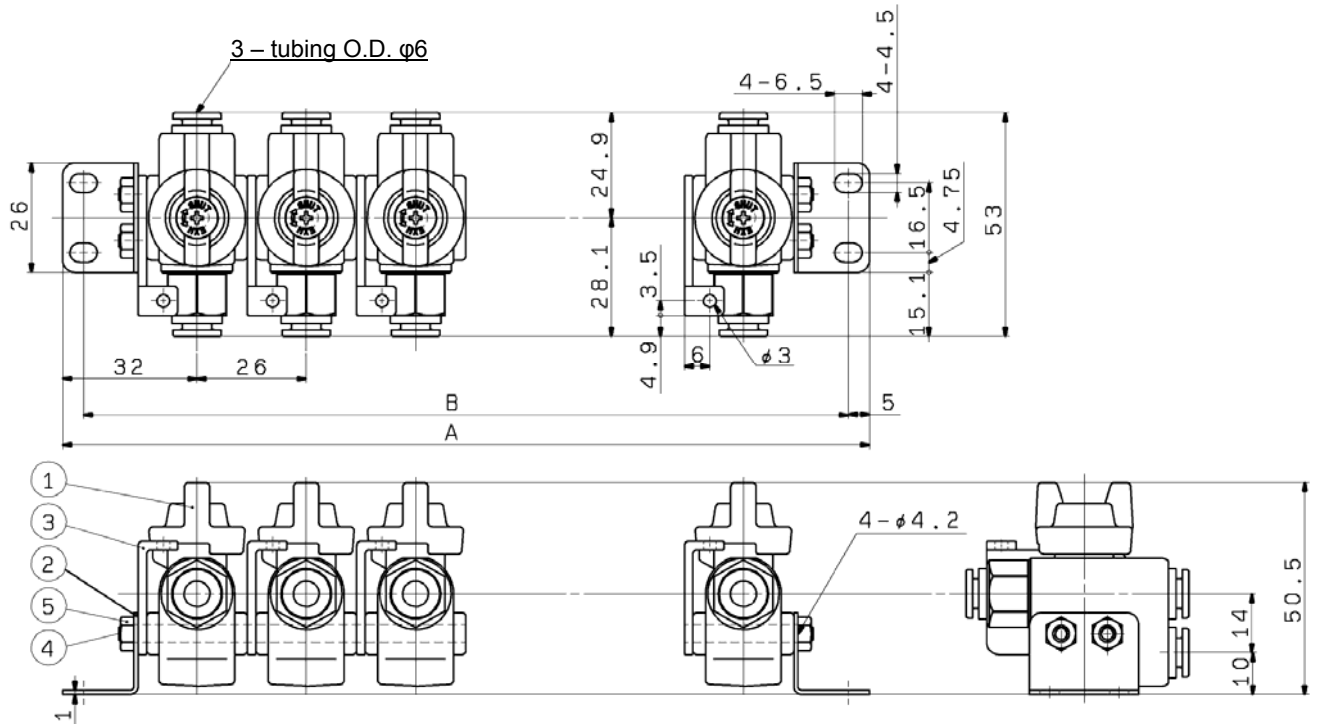
VHA200-02



VHA200-C06-X410



<Reference> VHA200-C06-X410 Manifold example



● Manifold design is available.

Manifold model ^{Note1)}	No. of stations	A	B	Note
VHA200-C06-X410-B2	2	88	78	①VHA200-C06-X410 3-port ball valve ②Bracket ^{Note 2)} VHA200-C06B ③Spacer ^{Note 2)} VHA200-C06B-1 ④Screw ⑤Hexagon nut
VHA200-C06-X410-B3	3	114	104	
VHA200-C06-X410-B4	4	140	130	
VHA200-C06-X410-B5	5	166	156	
VHA200-C06-X410-B6	6	192	182	
VHA200-C06-X410-B7	7	218	208	
VHA200-C06-X410-B8	8	244	234	
VHA200-C06-X410-B9	9	270	260	
VHA200-C06-X410-B10	10	296	286	

Note 1) Manifold design up to 10 stations is available.

Note 2) The brackets and spacers are available separately for order.

⚠ Caution To ensure the safest possible operation of this product, please be sure to thoroughly read the "Safety Instructions" in our "Best Pneumatics" catalog before use.