



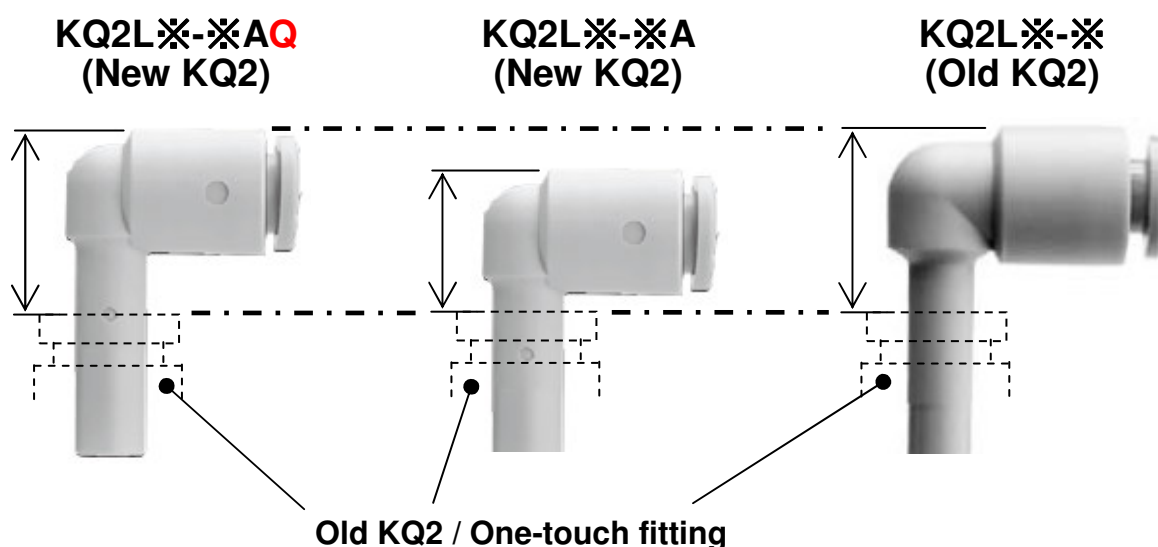
P.G.Information (Specialized Product)

Plug-in elbow, Reducer elbow

KQ2L※-※AQ/ Height interchangeable type when inserted
into the old KQ2 one-touch fitting

SMC CORPORATION
4-14-1, SOTO-KANDA,
CHIYODA-KU,
TOKYO 101-0021, JAPAN
URL: <http://www.smcworld.com>

- **Features:** When this type is inserted into the old KQ2 one-touch fitting, the same combination height as the old KQ2L and old KQ2 one-touch fitting can be achieved.



■ Specifications

Applicable tubing material	FEP, PFA, Nylon, Soft nylon, Polyurethane
Fluid	Air, Water ^{Note 1}
Operating pressure range ^{Note 2}	-100 kPa to 1 MPa
Proof pressure (at 23°C)	3 MPa
Ambient and fluid temperature	-5 to 60°C, Water: 0 to 40°C (No freezing)

Note 1: The surge pressure must be under the maximum operating pressure.

Note 2: Do not use the fittings with a leak tester or for vacuum retention because they are not guaranteed for zero leakage.

How to Order

KQ2 L 04-06 A Q

Height interchangeable type when inserted into the old KQ2 one-touch fitting

Model

Port size / Applicable tubing O.D.

Symbol	Model
L	Plug-in elbow Reducer elbow

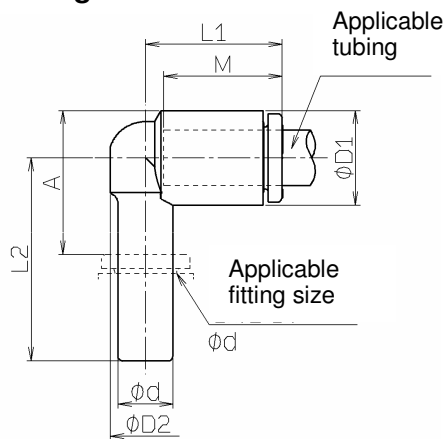
Applicable tubing O.D.

Symbol	Size
04	ø 4
06	ø 6
08	ø 8
10	ø 10
12	ø 12

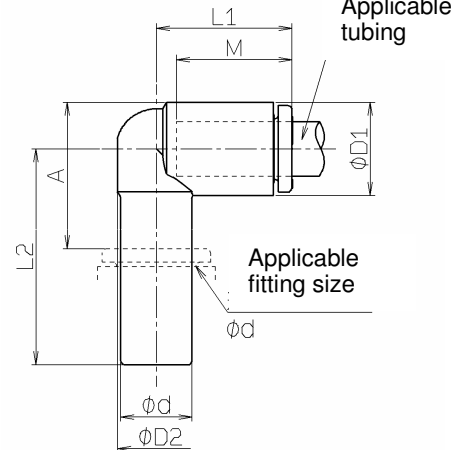
Symbol	Size
99	Same dia. rod
06	ø 6
08	ø 8
10	ø 10
12	ø 12

Dimensions: mm

Plug-in elbow: KQ2L



Reducer elbow: KQ2L



Plug-in elbow: KQ2L

Applicable tubing O.D. mm	Applicable fitting size φd	Model	Note) φD1	φD2	L1	L2	A (When inserted into the old KQ2)	M	Effective area mm ²		Min. port size
									Nylon	Urethane	
φ4	φ4	KQ2L04-99AQ	8.2	7.2	14.5	25.2	13.3	13.3	4.2	4.2	2.5
φ6	φ6	KQ2L06-99AQ	10.4	8	15.3	27.4	15.6	13.3	11.4	9	4
φ8	φ8	KQ2L08-99AQ	13.2	10	17.2	31.6	19.7	14.2	21.6	14.9	6
φ10	φ10	KQ2L10-99AQ	15.9	12	19.3	35.3	22.2	15.6	35.2	25	7.5
φ12	φ12	KQ2L12-99AQ	18.5	14	21.5	37.5	24.7	17	50.2	39.7	9

Reducer elbow: KQ2L

Applicable tubing O.D. mm	Applicable fitting size φd	Model	Note) φD1	φD2	L1	L2	A (When inserted into the old KQ2)	M	Effective area mm ²		Min. port size
									Nylon	Urethane	
φ4	φ6	KQ2L04-06AQ	8.2	7.2	14.8	26.2	13.3	13.3	4.2	4.2	3
	φ8	KQ2L04-08AQ	8.2	7.2	14.8	35.0	20.6	13.3	4.2	4.2	3
φ6	φ8	KQ2L06-08AQ	10.4	9	15.5	30.4	17.1	13.3	11.4	9	4.5
	φ10	KQ2L06-10AQ	10.4	9	15.5	38.5	22.7	13.3	11.4	9	4.5
φ8	φ10	KQ2L08-10AQ	13.2	10	18.8	33.7	19.3	14.2	21.6	14.9	6
	φ12	KQ2L08-12AQ	13.2	10	18.8	40.5	25.1	14.2	21.6	14.9	6
φ10	φ12	KQ2L10-12AQ	15.9	12	19.3	42.0	27.9	15.6	35.2	25	7.5

Note: φD1: Max. diameter

⚠ Caution To ensure the safest possible operation of this product, please be sure to thoroughly read the "Safety Instructions" in our "Best Pneumatics" catalog before use.