



Contact our sales office regarding a delivery date or a price since this is a special model.

SP143X-010E  
P: SU

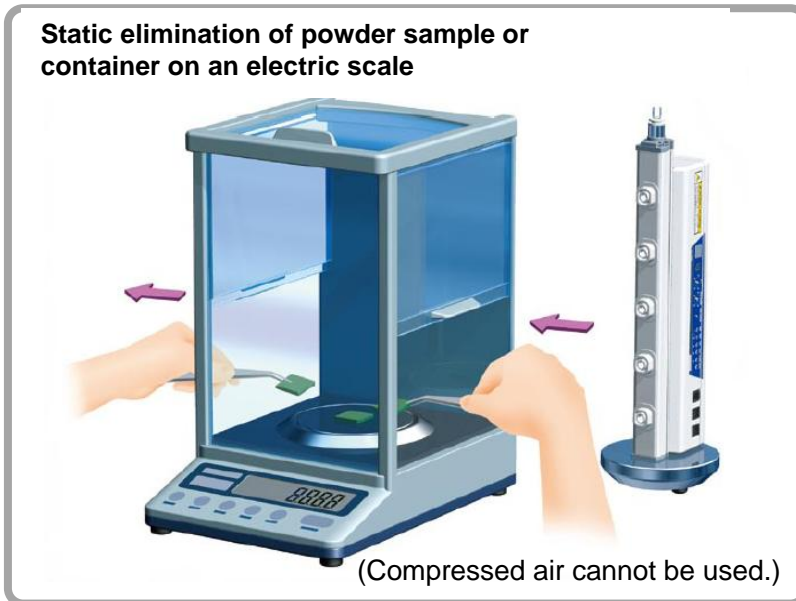
**SMC** P.G.Information (Specialized Product)

# Ionizer/Vertical Stand

**IZS40-B-X355 (Model No. for Vertical Stand)**

SMC Corporation  
4-14-1, SOTO-KANDA,  
CHIYODA-KU,  
TOKYO 101-0021, JAPAN  
URL <http://www.smcworld.com>

## Suitable for installation of a bar type ionzier on a table



- Applicable to a bar length of 340mm
- Material: Aluminum electroless nickel plating
- Stable installation with rubber foot



[Rear side of Stand]



## Applicable ionizers

### Dual AC type/IZS42series

Suitable for a workpiece sensitive to electrostatic discharge with a potential amplitude of 25V or less

### Feedback sensor type/IZS41series

Rapid elimination of static electricity by a feedback sensor.



### Standard type/IZS40series

Simple operation: Can be controlled by powering the ionizer ON.

# How to Order

## IZS40-B-X355

Representative part numbers of applicable ionizers

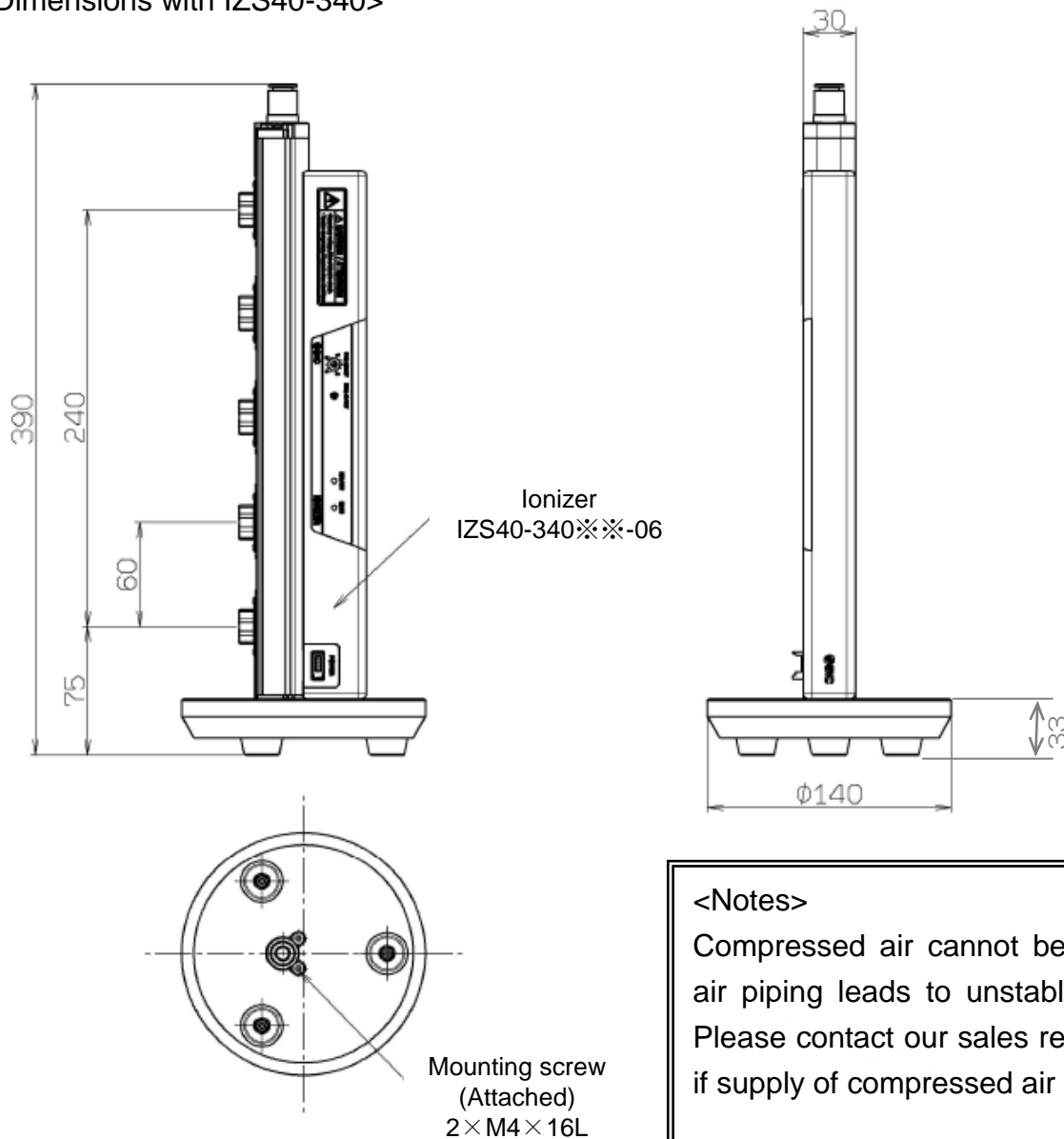
- ① IZS40-340\*\*      ② IZS41-340\*\*
- ③ IZS42-340\*\*

<Notices>

The model No. is for the vertical stand. IZS4\* should be ordered separately. Refer to page 1097 in Best Pneumatics No.4. for details of the Ionizer/IZS4\*.


## Dimensions : mm

<Dimensions with IZS40-340>



<Notes>

Compressed air cannot be used since air piping leads to unstable operation. Please contact our sales representative if supply of compressed air is required.

 Caution To ensure the safest possible operation of this product, please be sure to thoroughly read the "Safety Instructions" in our "Best Pneumatics" catalog before use.