



Contact our sales office for delivery dates and prices since this is a special model.

SP152X-006E  
P: TW



*P.G.Information (Specialized Product)*

SMC Corporation  
4-14-1, SOTO-KANDA,  
CHIYODA-KU,  
101-0021, JAPAN  
URL: <http://www.smcworld.com>

## Air reservoir /CG1※-※-※- X2774

### Features :

- Compact size / small volume air reservoir, it can be used to stabilize unstable air pressure as simplified air accumulator.
- Volume variation : 0.02L ~ 4.1L ( estimated )
- Mounting fixtures are available which is prepared as for CG1, Foot bracket and flange mount.



### Specifications :

- Max. pressure : 1.0 MPa .
- Pressure port is available for Rc/NPT/G .
- Mounting option : Basic , foot bracket, and flange .
- Various volume are available as following table.

Air reservoir volume (estimated) Unit: L

		Tubing I.D.(mm)						
		25	32	40	50	63	80	100
Stroke (mm)	25	0.02	0.03	0.06	0.10	0.15	0.26	0.41
	50	0.03	0.05	0.09	0.14	0.23	0.39	0.61
	75	0.04	0.07	0.12	0.19	0.31	0.51	0.80
	100	0.05	0.09	0.15	0.24	0.39	0.64	1.0
	125	0.07	0.11	0.18	0.29	0.47	0.76	1.2
	150	0.08	0.13	0.21	0.34	0.54	0.89	1.3
	200	0.10	0.17	0.28	0.44	0.70	1.1	1.7
	250	0.13	0.21	0.34	0.54	0.86	1.3	2.1
	300	0.15	0.25	0.40	0.64	1.0	1.6	2.5
	400	0.20	0.33	0.53	0.83	1.3	2.1	3.3
	500	0.25	0.41	0.65	1.0	1.6	2.6	4.1

## **Dimensions: mm**

---

---


- Please refer attached document.

## **Precaution:**

---

---

- This product has not been confirmed if it meets regulation in overseas countries.  
Please confirm required regulation and standard at each country before to use.

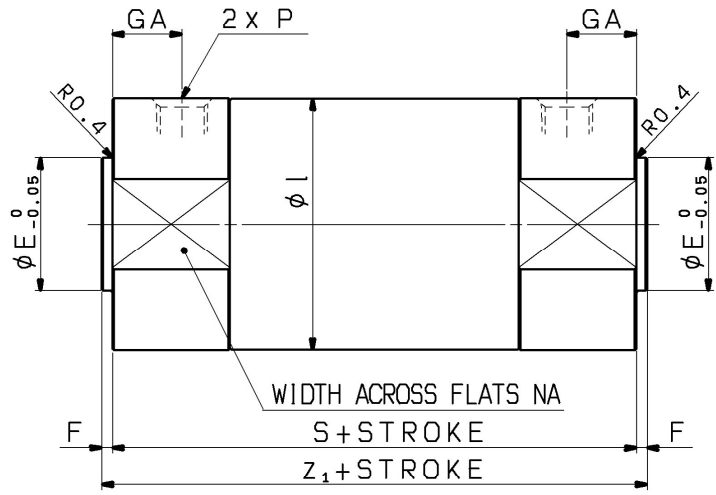
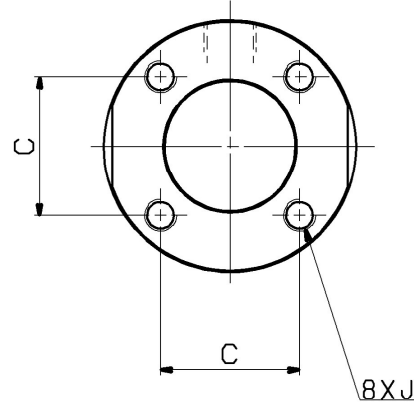
 Caution To ensure the safest possible operation of this product, please be sure to thoroughly read the "Safety Instructions" in our "Best Pneumatics" catalog before use.

©2015 SMC Corporation All Rights Reserved

ON 9MO

**BASIC STYLE (B)**

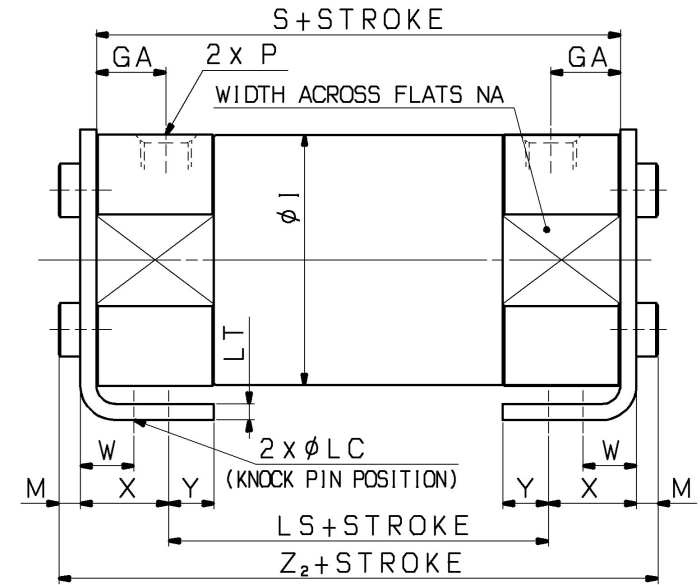
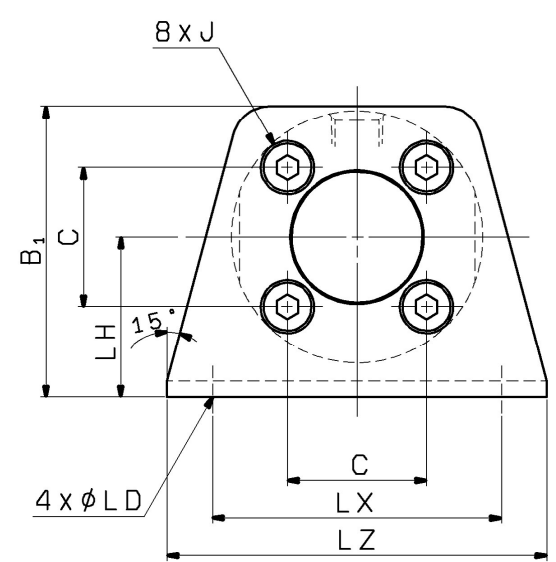
※ WITHOUT TRUNNION MOUNTING  
FEMALE THREAD



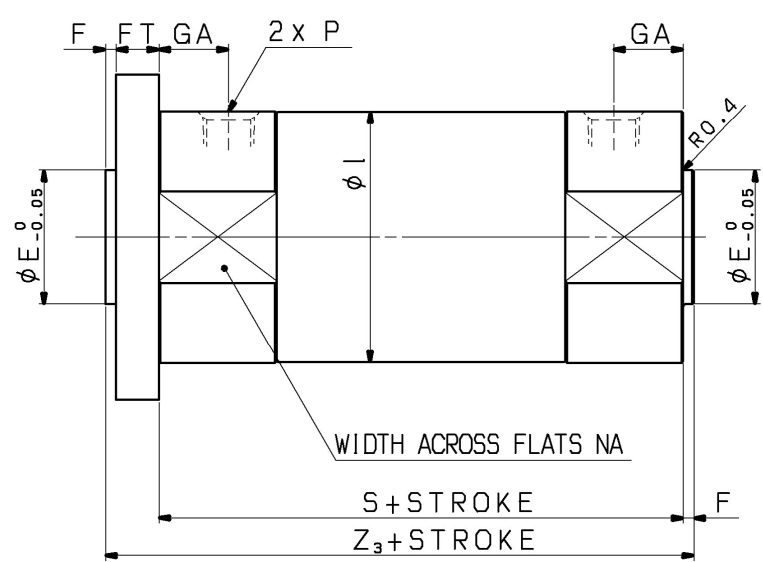
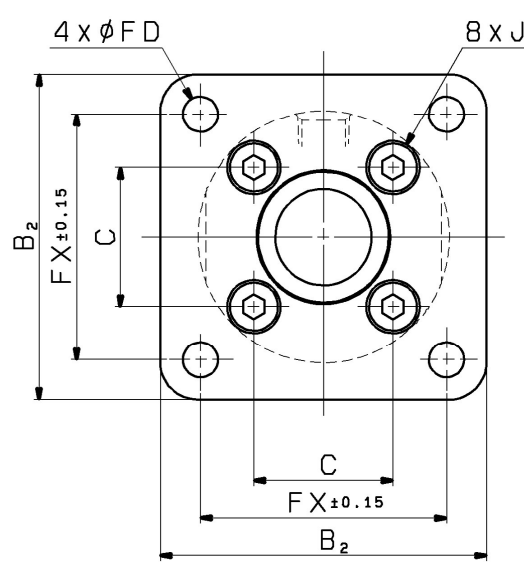
**INTERNAL CAPACITY (ESTIMATED VALUE) L(LITER)**

BORE SIZE (mm)	25	32	40	50	63	80	100
25	0.02	0.03	0.06	0.10	0.15	0.26	0.41
50	0.03	0.05	0.09	0.14	0.23	0.39	0.61
75	0.04	0.07	0.12	0.19	0.31	0.51	0.80
100	0.05	0.09	0.15	0.24	0.39	0.64	1.0
125	0.07	0.11	0.18	0.29	0.47	0.76	1.2
150	0.08	0.13	0.21	0.34	0.54	0.89	1.3
200	0.10	0.17	0.28	0.44	0.70	1.1	1.7
250	0.13	0.21	0.34	0.54	0.86	1.3	2.1
300	0.15	0.25	0.40	0.64	1.0	1.6	2.5
400	0.20	0.33	0.53	0.83	1.3	2.1	3.3
500	0.25	0.41	0.65	1.0	1.6	2.6	4.1

**FOOT STYLE (L)**

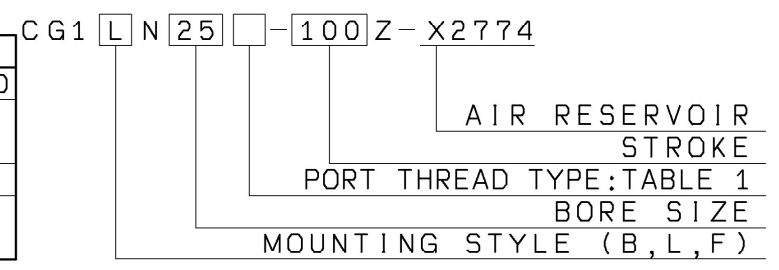


**FLANGE STYLE (F)**



MARK BORE SIZE	STROKE RANGE	B <sub>1</sub>	B <sub>2</sub>	C	E	F	FD	FT	FX	GA		I	J	LC	LD	LH	LS	LT	LX	LZ	M	NA	P		S	W	X	Y	Z <sub>1</sub>	Z <sub>2</sub>	Z <sub>3</sub>
										R <sub>C</sub> , NPT	G												R <sub>C</sub> , NPT	G							
25	~500	38.5	44	16.5	14	2	5.5	7	32	12	12.5	31	M5x0.8 DEPTH 7.5	4	6	22	53	3	36	49	3.5	29	1/8	M5X0.8	77	10	15	7	81	90	88
32		45	53	20	18	2	6.6	7	38	12	10.5	38	M5x0.8 DEPTH 8	4	7	25	53	3	44	58	3.5	35.5	1/8	1/8	79	10	16	8	83	92	90
40		54.5	61	26	25	2	6.6	8	46	13	10	47	M6x1 DEPTH 12	4	7	30	57	3	54	71	4	44	1/8	1/8	84	10	16.5	8.5	88	98	96
50		70.5	76	32	30	2	9	9	58	14	14	58	M8x1.25 DEPTH 16	5	10	40	67	4.5	66	86	5	55	1/4	1/4	102	17.5	22	11	106	121	115
63		82.5	92	38	32	2	11	9	70	14	14	72	M10x1.5 DEPTH 16	5	12	45	67	4.5	82	106	5	69	1/4	1/4	102	17.5	22	13	106	121	115
80		101	104	50	40	3	11	11	82	20	17.5	89	M10x1.5 DEPTH 22	6	11	55	74	4.5	100	125	5	86	3/8	3/8	122	20	28.5	14	128	141	139
100		121	128	60	50	3	14	14	100	20	17.5	110	M12x1.75 DEPTH 22	6	14	65	74	6	120	150	7	106	1/2	1/2	122	20	30	16	128	148	142

**HOW TO ORDER**



**TABLE 1**

NIL	RC PORT
TN	NPT PORT
TF	G PORT

SPECIFICATIONS							
BORE SIZE (mm)	25	32	40	50	63	80	100
MAXIMUM OPERATING PRESSURE	1.0MPa						
PROOF PRESSURE	1.5MPa						
AMBIENT AND FLUID TEMPERATURE	-10~+70℃ (NO FREEZING)						

NOTE) THIS PRODUCT IS NOT COMPLIANT WITH THE LAWS AND REGULATIONS OF OVERSEAS COUNTRIES.  
PLEASE CONFIRM THE LAWS AND REGULATIONS OF EACH COUNTRY BEFORE SELECTING THE MODEL.

FINISH		PAINT		MASS		PACKING		MODEL		QTY	
TOLERANCES JIS B 0405		DRAWN		SCALE		DATE PREPARED		DWG NAME		THIRD ANGLE	
RANGE (mm)		DATE		FREE		DATE		AIR RESERVOIR		REVISION	
0.5<D<=3		2017-03-16		Y.Hirota		2017-03-16		CG1*N25&100*-*Z-X2774		1	
3<D<=6		2017-03-16		T.Ikari		2017-03-16		CG1*N25&100*-*Z-X2774		1	
6<D<=20		2017-03-16		T.Ikari		2017-03-16		CG1*N25&100*-*Z-X2774		1	
30<D<=20		2017-03-16		T.Ikari		2017-03-16		CG1*N25&100*-*Z-X2774		1	
120<D<=400		2017-03-16		T.Ikari		2017-03-16		CG1*N25&100*-*Z-X2774		1	
400<D<=1000		2017-03-16		T.Ikari		2017-03-16		CG1*N25&100*-*Z-X2774		1	
1000<D<=2000		2017-03-16		T.Ikari		2017-03-16		CG1*N25&100*-*Z-X2774		1	

FINISH: 表面処理 / PAINT: 塗装 / MASS: 質量  
PACKING: 包装成分 / MATERIAL: 材質  
MATERIAL SIZE: 材料寸法