

! Contact our sales office for delivery dates and prices as this is a special model.

Specialized Product

Point to Group
P.G. information

Regulator Valve

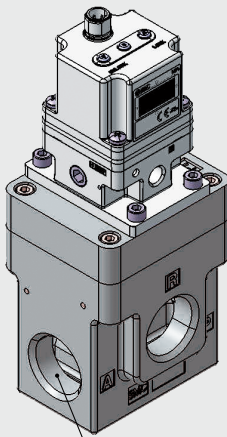


VEX1□0□-X344/X345-Q

Features

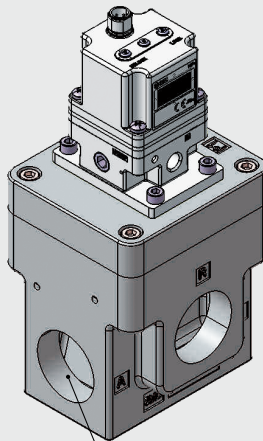
- Large flow: 3 sizes (up to 2") are available.
- Stepless control of air pressure in proportion to electrical signals with a large flow capacity

VEX15



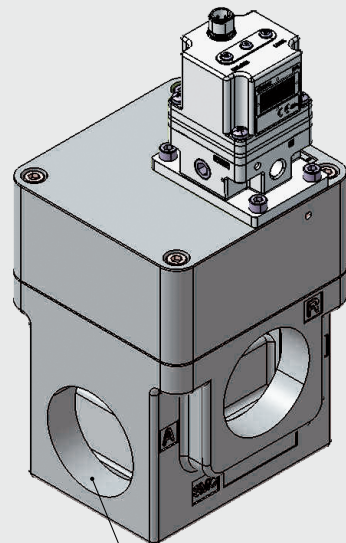
Port size: 3/4", 1"

VEX17



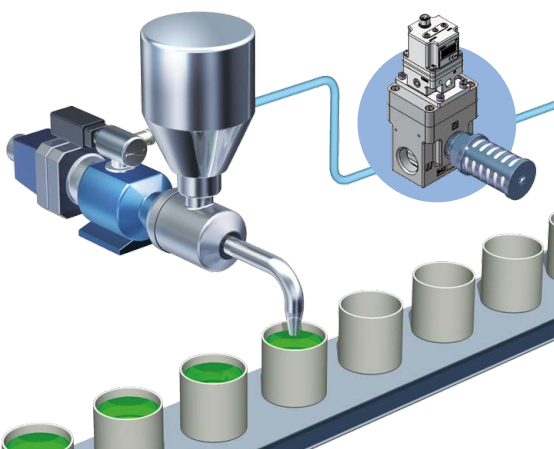
Port size: 1", 1 1/4"

VEX19

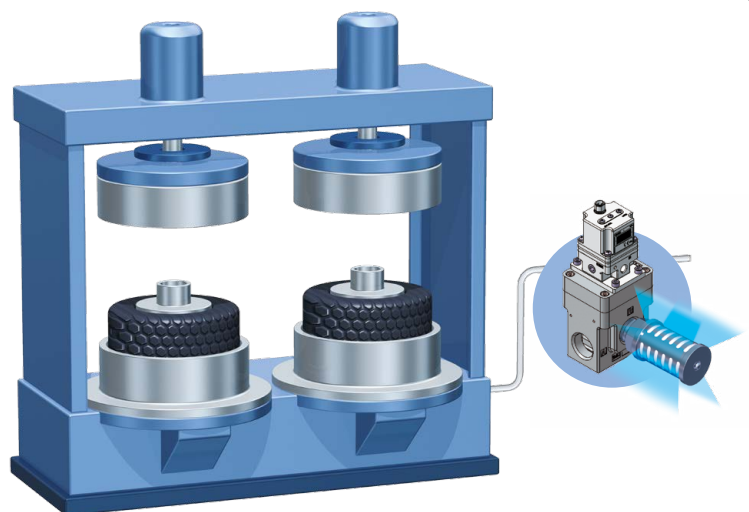


Port size: 1 1/2", 2"

Application examples



For discharge rate control



For bladder expansion in tire molding processes



Caution

To ensure the safest possible operation of this product, please be sure to thoroughly read the "Safety Instructions" in our "Best Pneumatics" catalog before use.

SMC Corporation 4-14-1, SOTO-KANDA, CHIYODA-KU, TOKYO 101-0021, JAPAN URL: <http://www.smcworld.com>
©2018 SMC Corporation All Rights Reserved



SP161X-019E
P: WY