

How to Order: Manifold

SS5Y3-10S VB □ - 06 B □ - C6 - X603

SI unit specifications

Symbol	Protocol	Number of outputs	Communication connector
0	Non-SI unit	—	
QA	DeviceNet™	32	M12
QB		16	
NA	PROFIBUS DP	32	M12
NB		16	
NC		32	D-sub *1
ND		16	
VA	CC-Link	32	M12
VB		16	
DA	EtherCAT	32	M12
DB		16	
FA	PROFINET	32	M12
FB		16	
EA	EtherNet/IP™	32	M12
EB		16	

*1 IP40

SI unit output polarity

Nil	Positive common (NPN)
N	Negative common (PNP)

* Ensure a match with the common specification of the valve to be used.

Valve stations

In the case of the 32-output SI unit

Symbol	Stations	Note
02	2 stations	Double wiring *1
⋮	⋮	
15	15 stations	
02	2 stations	Specified layout *2 (Up to 32 solenoids are available, including 2 solenoids for the vacuum ejector.)
⋮	⋮	
24	24 stations	

In the case of the 16-output SI unit

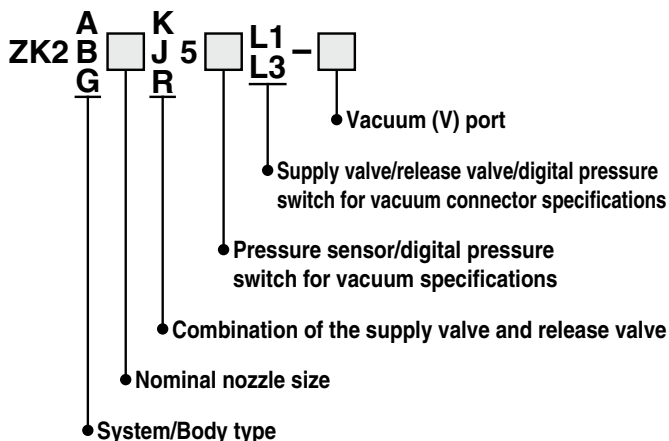
Symbol	Stations	Note
02	2 stations	Double wiring *1
⋮	⋮	
07	7 stations	
02	2 stations	Specified layout *2 (Up to 16 solenoids are available, including 2 solenoids for the vacuum ejector.)
⋮	⋮	
15	15 stations	

*1 Double wiring: 2-position single, double, 3-position, and 4-position valves can be used on all manifold stations. Use of a 2-position single solenoid will result in an unused control signal. If this is not desired, order with a specified layout.

*2 Specified layout: Indicate the wiring specifications with the manifold specification sheet. (Note that 2-position double, 3-position, and 4-position valves cannot be used where single wiring has been specified.)

Applicable Vacuum Ejector Model

* Refer to the **Web Catalog (ZK2 Series)**.



* A stopper bracket (Part no.: TEX1-SMC) is required to secure the ZK2 to the DIN rail.
 * The air supply circuit of the SY manifold and ZK2 are not connected.

4(A), 2(B) port size

C2	ø2 One-touch fitting
C3	ø3.2 One-touch fitting
C4	ø4 One-touch fitting
C6	ø6 One-touch fitting
N1	ø1/8" One-touch fitting
N3	ø5/32" One-touch fitting
N7	ø1/4" One-touch fitting
CM	Straight port, mixed sizes (Indicate it on the manifold specification sheet.)

SUP/EXH block assembly

Nil	Internal pilot
S	Internal pilot, Built-in silencer
R	External pilot

P, E port entry

U	U side (2 to 10 stations)
D	D side (2 to 10 stations)
B	Both sides (2 to 24 stations)

* This also includes the number of the blanking plate assembly.

* For the non-SI unit model (S0), note the maximum number of solenoids of the SI unit that will be mounted. If the layout is specified, indicate it on the manifold specification sheet.

* The vacuum ejector is not included in the number of stations. The "Combination of the supply valve and release valve" of the applicable vacuum ejector model is as follows:

K/R: Number of solenoids = 2
 J: Number of solenoids = 1

