

! Contact our sales office for delivery dates and prices as this is a special model.

Specialized Product **P.G.** Point to Group information

Mechanical Valve

2-Port/XT34-313

3-Port/XT34-133

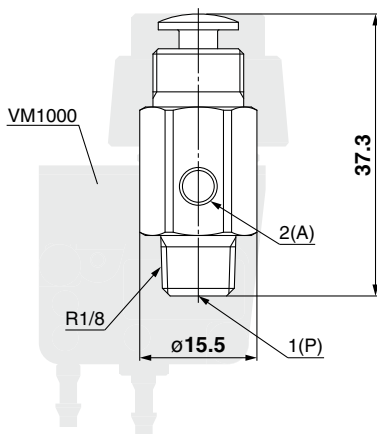
5-Port/XT34-312A



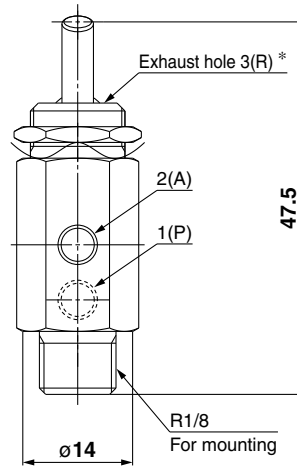
Features Space saving, Lightweight

Compact and Lightweight

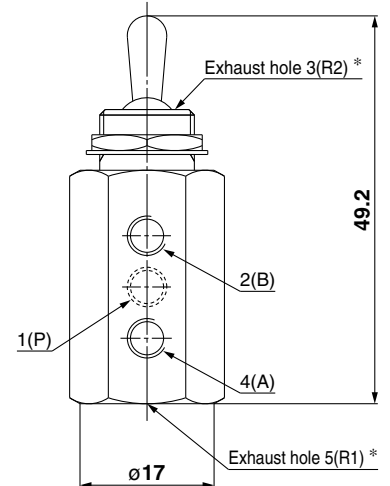
2-Port/XT34-313 (Weight: 32 g)



3-Port/XT34-133 (Weight: 38 g)



5-Port/XT34-312A (Weight: 64 g)



Specifications

Model	XT34-313	XT34-133	XT34-312A
Number of ports	2	3	5
Symbol			
Fluid	Air		
Fluid temperature	0 to 60°C		
Ambient temperature	-5 to 50°C		
Operating pressure range	0 to 0.9 MPa	0 to 0.8 MPa	0 to 0.9 MPa
Weight	32 g	38 g	64 g

* A silencer cannot be mounted on the exhaust hole.

Caution To ensure the safest possible operation of this product, please be sure to thoroughly read the "Safety Instructions" in our "Best Pneumatics" catalog before use.

SMC Corporation 4-14-1, SOTO-KANDA, CHIYODA-KU, TOKYO 101-0021, JAPAN URL: <http://www.smcworld.com>
©2017 SMC Corporation All Rights Reserved



SP163X-021E
P: VT

