

Parallel Style Air Gripper Long Stroke with Dust Cover (Single Action) MHZL2-10SF-X3361

SMC CORPORATION

 1-16-4 Shimbashi, Minato-ku
Tokyo 105-0004, JAPAN

 URL: <http://www.smcworld.com>

Feature 1: Improved environmental resistance.

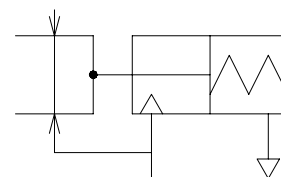
(Dust cover and silicon caulking utilized to prevent dust and moisture from entering the inner parts of the gripper, while keeping grease and particles inside the gripper from escaping into the air.)

Comparison with Standard Product: (MHZL2-10S)

- 1) With dust cover. (Material: Fluoro rubber)
- 2) O-rings and seals are made of fluoro rubber.
- 3) Use of fluorine grease.
- 4) Silicon caulking applied to joint between fingers and dust cover.
- 5) Magnet holder, finger and piston are made of stainless steel.

Specifications

Fluid	Air
Operating pressure	0.35 to 0.7MPa
Ambient and fluid temperature	-10 to 60°C
Outside holding force (at 0.5MPa)	7.1N
Finger stroke (Both sides)	8mm
Maximum operating frequency	120c.p.m.
Lubrication	Not required (Non-lube)
Weight	90g



Symbol

Single acting, normally open

How to Order

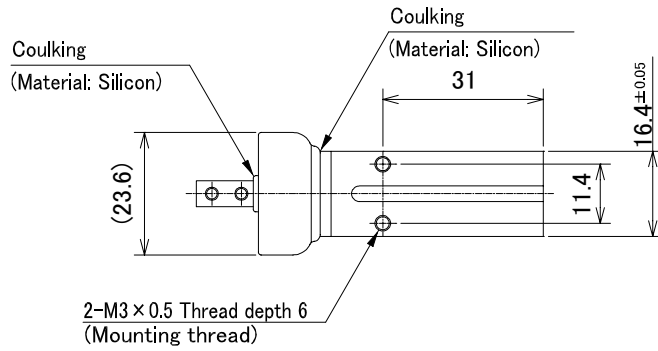
MHZL2-10SF-F9PVL S-X3361

Auto switch	Lead wire length	Number of auto switches																								
<table border="1"> <thead> <tr> <th>Symbol</th> <th>Auto switch model</th> </tr> </thead> <tbody> <tr> <td>Nil</td> <td>Without auto switch</td> </tr> <tr> <td>F9N</td> <td rowspan="10">Solid state switch</td> </tr> <tr> <td>F9P</td> </tr> <tr> <td>F9B</td> </tr> <tr> <td>F9NV</td> </tr> <tr> <td>F8N</td> </tr> <tr> <td>F9PV</td> </tr> <tr> <td>F8P</td> </tr> <tr> <td>F9BV</td> </tr> <tr> <td>F8B</td> </tr> <tr> <td>F9BA (Note)</td> <td>Water resistant 2 color indicator style solid state switch</td> </tr> </tbody> </table>	Symbol	Auto switch model	Nil	Without auto switch	F9N	Solid state switch	F9P	F9B	F9NV	F8N	F9PV	F8P	F9BV	F8B	F9BA (Note)	Water resistant 2 color indicator style solid state switch	<table border="1"> <tbody> <tr> <td>Nil</td> <td>0.5m</td> </tr> <tr> <td>L</td> <td>3m</td> </tr> </tbody> </table>	Nil	0.5m	L	3m	<table border="1"> <tbody> <tr> <td>Nil</td> <td>2</td> </tr> <tr> <td>S</td> <td>1</td> </tr> </tbody> </table>	Nil	2	S	1
Symbol	Auto switch model																									
Nil	Without auto switch																									
F9N	Solid state switch																									
F9P																										
F9B																										
F9NV																										
F8N																										
F9PV																										
F8P																										
F9BV																										
F8B																										
F9BA (Note)		Water resistant 2 color indicator style solid state switch																								
Nil	0.5m																									
L	3m																									
Nil	2																									
S	1																									

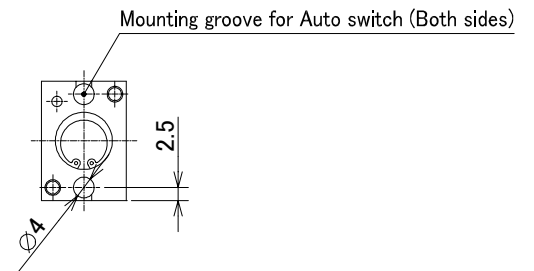
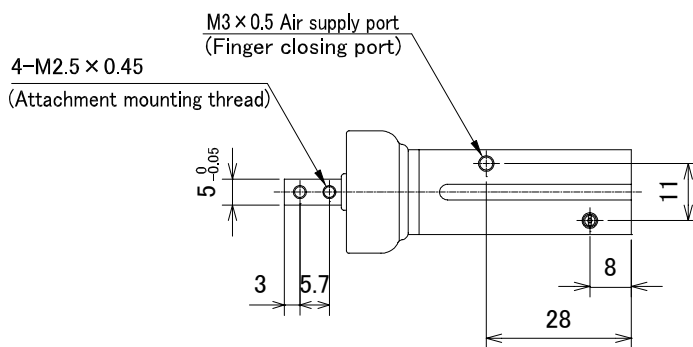
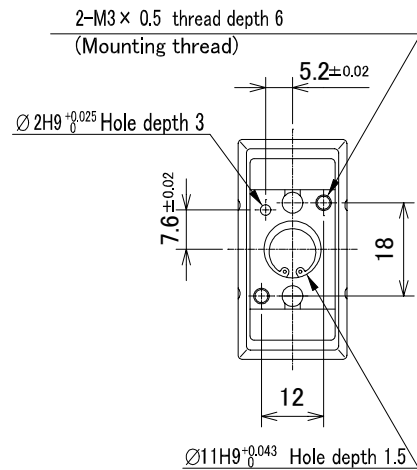
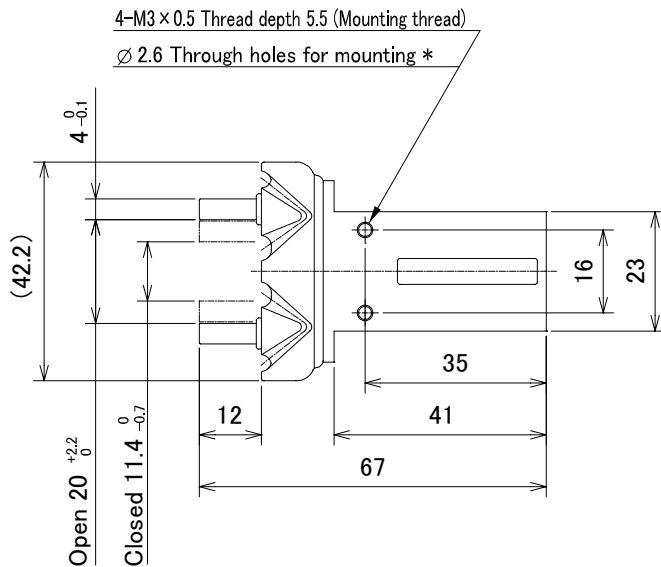
(Note) F9BA is lead wire length 3m only.

- Refer to our Best Pneumatics catalog for auto switch specifications.

Dimensions



(Note 2)



Auto switch mounting groove dimension

Note1: Please consult with our sales staff if gripping only by spring force. This can result in unstable gripping and operational failure.

Note2: When using auto switch, through hole (*) mounting is not possible.



Caution

For safe operation of this product, before using it, be sure to carefully read "Safety Instructions" indicated in our "Best Pneumatics" general catalog.