

Clean Series Air Slide Table (with buffer)

SMC CORPORATION
1-16-4 Shimbashi, Minato-ku
Tokyo 105-0004, JAPAN
URL: <http://www.smcworld.com>

13-MXQ16-**F-X738

Application: Used for clamping and positioning substrate.

Feature 1: Comes with buffer mechanism for clamping and positioning.

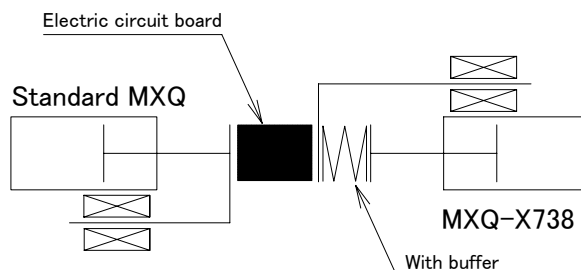
Feature 2: Vacuum port decreases dust emissions.

Comparison with Standard Product:

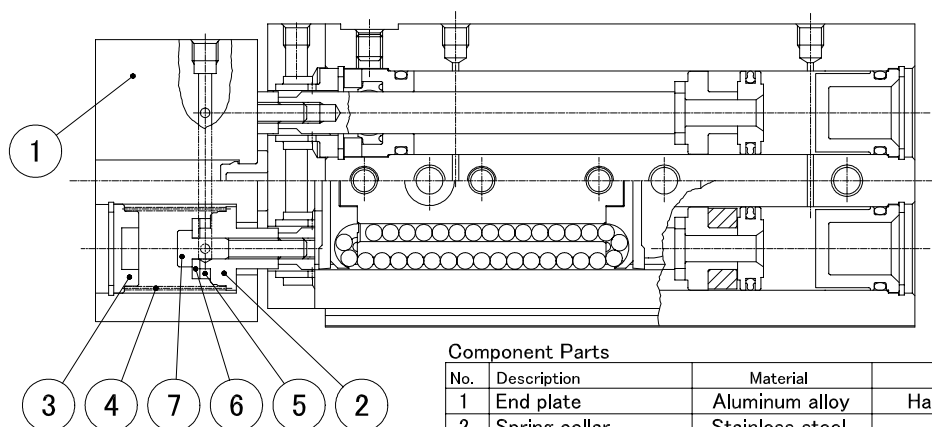
- Buffer mechanism comes with built-in vacuum port.

Application example:

Substrate is clamped between standard series 13-MXQ and this special actuator (-X738), which are positioned opposite each other. In such an application, the buffer mechanism that is part of the new actuator prevents scratching or distortion to the substrate from the stress applied.



Application example



Component Parts

No.	Description	Material	Note
1	End plate	Aluminum alloy	Hard anodized
2	Spring collar	Stainless steel	
3	Head cap	Stainless steel	
4	Spring	Stainless steel	
5	Magnet	Rare earth	
6	Washer	Stainless steel	
7	Low head cap screw	Stainless steel	

Construction

Specifications

Bore size and type	Ø16 (Dual type)	
Stroke length tolerance	+1 0mm	
Supply port size	M5 × 0.8	
Fluid	Air	
Action	Double acting	
Operating pressure	0.15 to 0.7MPa	
Proof pressure	1.05MPa	
Ambient and fluid temperature	-10 to 60°C	
Buffer stroke	10mm	
Buffer stroke load	At 0mm stroke	13N
	At 10mm stroke	17N
Operating speed range	50 to 300mm/s (Adjuster option/Metal stopper: 50 to 200mm/s)	
Bumper	Rubber bumper (Standard type (Without Adjuster))	
Lubrication	Not required (Non-lube)	

How to Order

13-MXQ16-10ASF-A93LS-X738

Stroke	
10	10mm
20	20mm
30	30mm
40	40mm
50	50mm
75	75mm
100	100mm
125	125mm

Number of auto switches	
Nil.	2 pcs.
S	1 pc.
n	n pcs.

Lead wire length	
Nil.	0.5m
L	3m

Adjuster option		
Nil.	Without adjuster	
AS	Rubber bumper	Extension
AT		Retraction
A		Both ends
CS	Metal bumper	Extension
CT		Retraction
C		Both ends

Auto switch model	
Nil.	Without auto switch

Symbol	Model	Symbol	Model	Symbol	Model
A90	D-A90	F9N	D-F9N	F9NW	D-F9NW
A93	D-A93	F9P	D-F9P	F9PW	D-F9PW
A96	D-A96	F9B	D-F9B	F9BW	D-F9BW
A90V	D-A90V	F9NV	D-F9NV	F9NWV	D-F9NWV
A93V	D-A93V	F9PV	D-F9PV	F9PWV	D-F9PWV
A96V	D-A96V	F9BV	D-F9BV	F9BWV	D-F9BWV

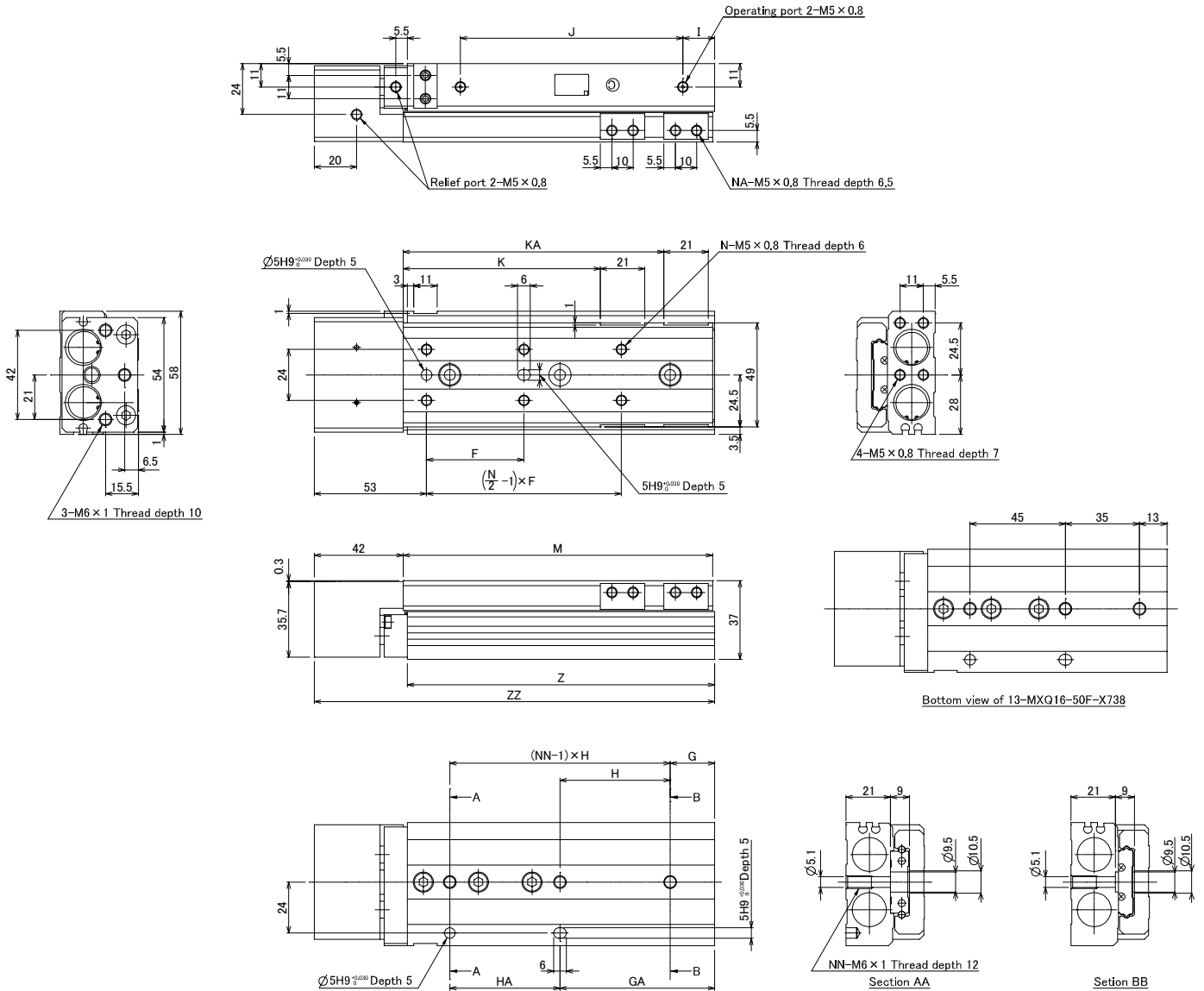
Note 1) Refer to our Best Pneumatics catalog for auto switch specification.

Buffer section auto switch

Switch type	
Solid state switch (Perpendicular)	D-F9BV
	D-F9NV
	D-F9PV

Note 2) Please order auto switches for the buffer mechanism separately.

Dimensions



Stroke	Model No.	F	N	G	H	NN	GA	HA	I	J	K	KA	NA	M	Z	ZZ
10	13-MXQ16-10F-X738	38	4	18	39	2	18	39	12	40	28	-	4	78	77	121
20	13-MXQ16-20F-X738	38	4	18	39	2	18	39	12	40	38	-	4	78	77	121
30	13-MXQ16-30F-X738	48	4	19	48	2	19	48	12	50	48	-	4	88	87	131
40	13-MXQ16-40F-X738	58	4	19	58	2	19	58	12	60	58	-	4	98	97	141
50	13-MXQ16-50F-X738	40	6	Note3)	Note 3)	3	48	45	20	68	68	91	8	114	113	157
75	13-MXQ16-75F-X738	46	6	21	52	3	73	52	15	105	93	123	8	146	145	189
100	13-MXQ16-100F-X738	44	8	36	44	4	80	88	18	145	118	166	8	189	188	232
125	13-MXQ16-125F-X738	44	10	17	44	5	105	88	23	165	143	191	8	214	213	257

Note 3) Refer to bottom view drawing of 13-MXQ16-50F-X738.

Note 4) For dimensions of actuator with adjuster option, please refer to the Series MXQ section of the SMC Best Pneumatics general catalogue.

⚠ Caution
 To ensure the safest possible operation of this product, please be sure to read thoroughly the "Safety Instructions" in our "Best Pneumatics" general catalog before use.