

Polyurethane Tubing

O.D. \varnothing 16mm \times I.D. \varnothing 11mm

IN-241-800

SMC CORPORATION

1-16-4 Shimbashi, Minato-ku

Tokyo 105-0004, JAPAN

URL: <http://www.smcworld.com>

Feature 1: Polyurethane tube O.D. \varnothing 16mm \times I.D. \varnothing 11mm

Specifications

Model	IN-241-800-20	IN-241-800
Fluid	Air	
Maximum operating pressure (at 20°C)	0.7MPa	
Proof pressure	Refer to "Burst pressure characteristic graph" (*1)	
Ambient and fluid temperature	-20 to 60°C (No freezing) (*2)	
Minimum bending radius	55mm	
Material	Polyurethane (shore hardness: A91)	
Color	Black	
Tube size (O.D. \times I.D.)	\varnothing 16mm \times \varnothing 11mm	
Tube length	20m roll (*3)	100m (*4)
Weight	2.5kg	12.5kg

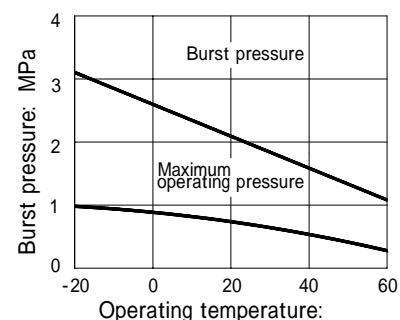
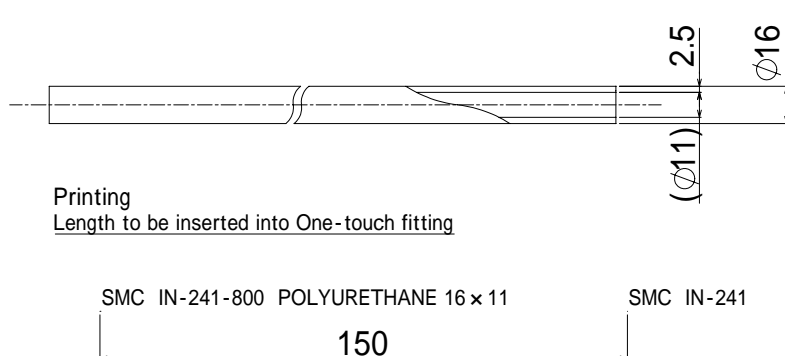
*1) The value of the maximum operating pressure is at a temperature of 20°C. Refer to the burst pressure characteristic graph for other temperatures. Avoid abnormal temperature rise due to adiabatic compression that can rupture the tubing.

*2) Bending radius at 20°C. Higher temperatures may bend the tubing more than its minimum bending radius.

*3) IN-241-800-20 will be rolled and shipped in a plastic bag.

*4) IN-241-800 will be rolled and shipped in a cardboard box.

Dimensions: mm



Burst pressure and Operating Pressure Characteristic Graph



Caution: To ensure the safest possible operation of this product, please be sure to read thoroughly the "Safety Instructions" in our "Best Pneumatics" general catalog before use.