

High Precision Rotary Table

- Additional rotation angles and variations

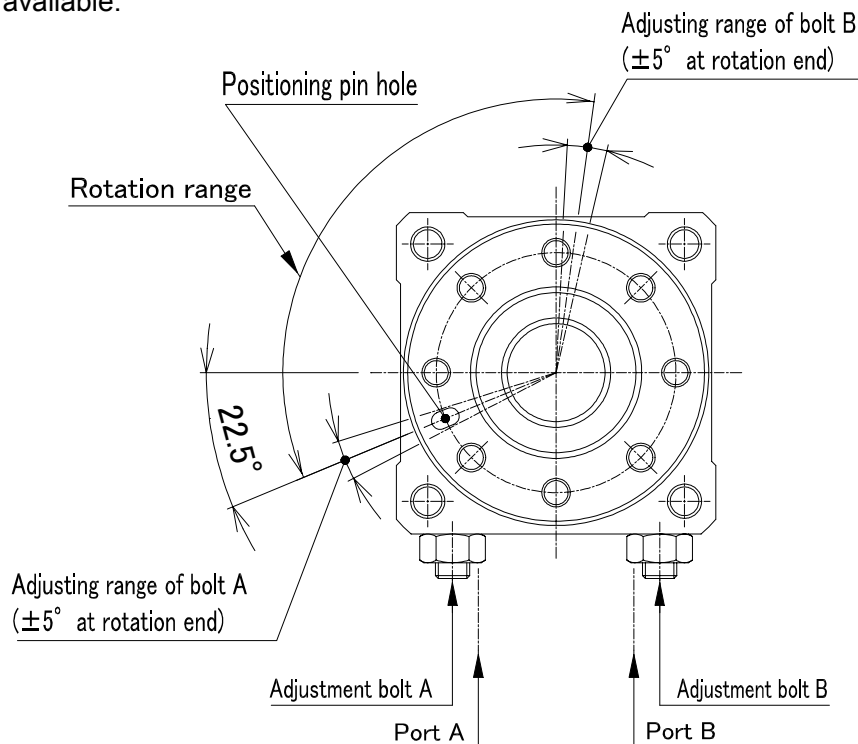
MSUA1/3/7/20-X101

Feature 1: Additional rotation angle available based on the application.

- Adjustable rotation angles are available from 15° up to 165° in 15° increments.
(Except for 90° as it is for standard model)

Comparison with Standard Product:

- 1) Ten different rotation angles (15°, 30°, 45°, 60°, 75°, 105°, 120°, 135°, 150°, and 165°) are available.



Rotation angle (θ°)

(θ° : 15°, 30°, 45°, 60°, 75°, 105°, 120°, 135°, 150°, and 165°)

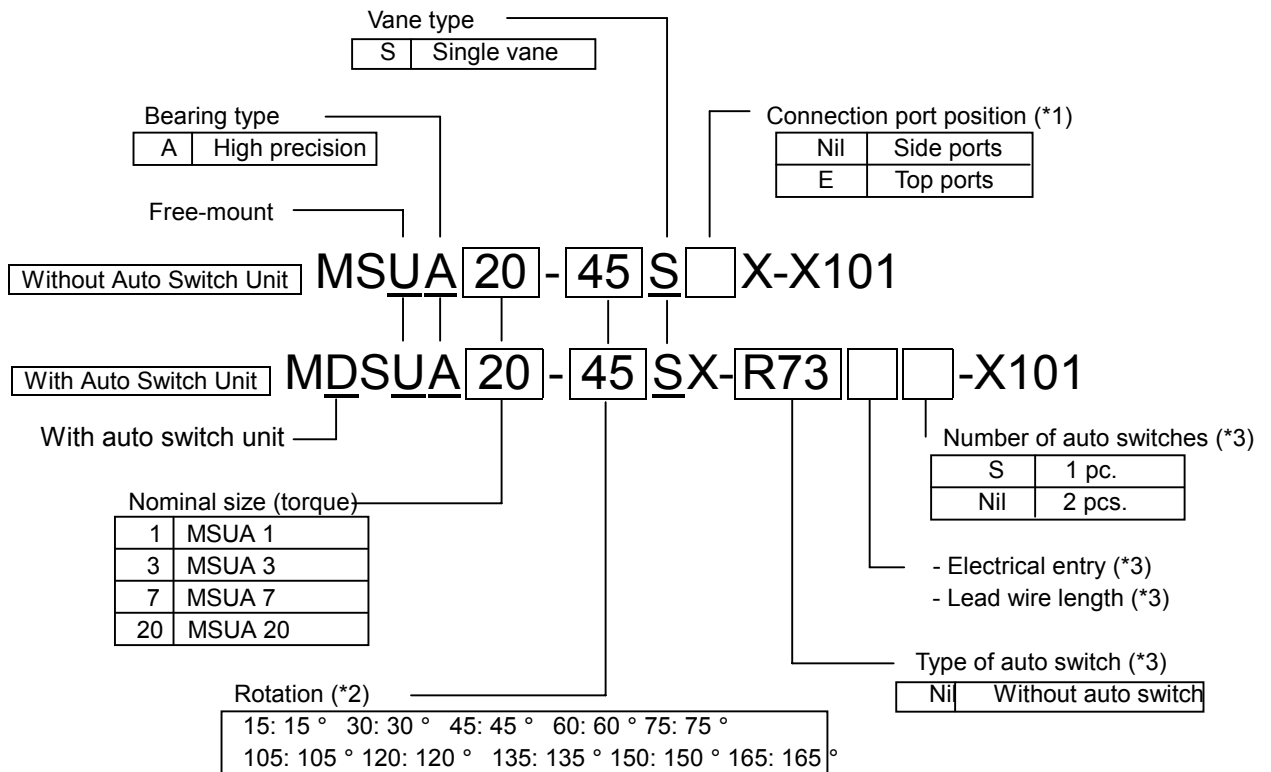
Supplement:

- 1) The positioning pin hole in the diagram above indicates the initial condition of the rotary table when Port B is pressurized.
- 2) To adjust $\pm 5^\circ$ at the end of rotation, turn the adjusting bolt about one turn clockwise. or counterclockwise. (Turn the adjusting bolt approximately two turns to adjust a full range of 10° [-5° to +5].)
- 3) Scale indication in increments of 2° is provided on the outer rim of the table as a guide for angle adjustment.

Specifications

- Specifications are the same as the standard product (MSUA1/3/7/20), except for change in rotations. (See Note 1.)

How to Order



*1) Only side ports are available for rotary table with switch unit.

*2) Rotation adjustment range: $\pm 5^\circ$ each at both ends.

*3) Refer to "How to Order" for Series MSUA (on page 1) in Series MSU catalog (CAT.ES20-90) for detailed auto switch part numbers. Refer to page 27 and on for auto switch details.

Dimensions

Dimensions are the same as for the standard (Series MSUA). Please refer to our Series MSU catalog (CAT.ES20-90) for details.

Note 1: Please refer to our catalog Series MSU (CAT.ES20-90) to confirm the detailed product specifications, outline drawing, or such common items.



Caution

To ensure the safest possible operation of this product, please be sure to read thoroughly the "Safety Instructions" in our "Series MSU (Rotary Table)" catalog (CAT.ES20-90) before use.