

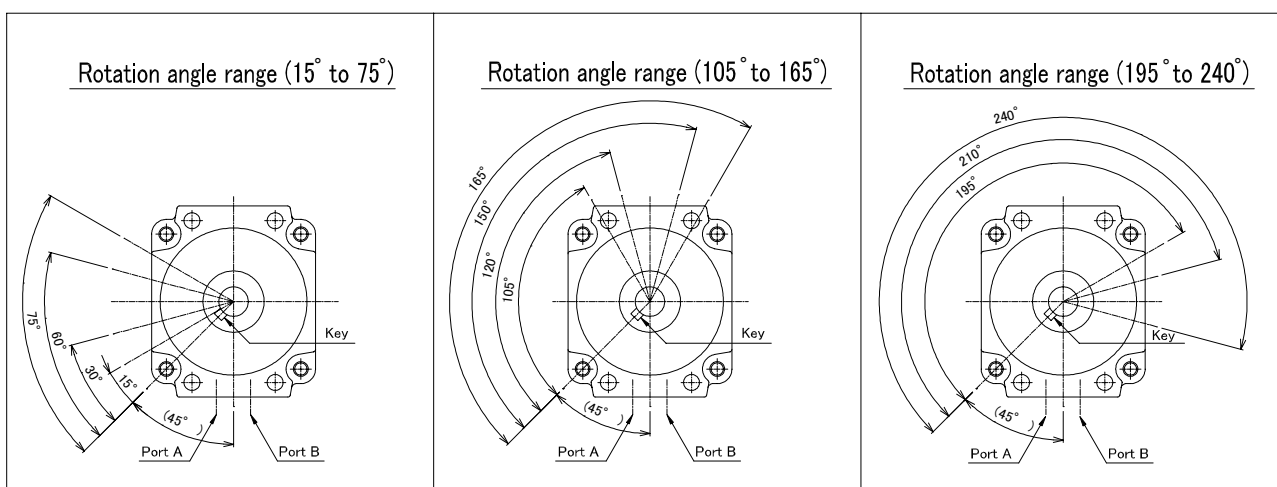
Vane Type Rotary Actuator

CRB1-X121
CDRB1-X121

SMC CORPORATION
1-16-4 Shimbashi, Minato-ku
Tokyo 105-0004, JAPAN

URL: <http://www.smcworld.com>

Application: Rotation angles are selectable in 15° increments according to the application.



The illustrations above show the key positions when B port is pressurized.

Feature 1: Rotation angle is available in the range of 15 to 240° in the increments of 15° from the start of rotation.

- Except for standard models and special order models (XC4, XC5 and XC6).
(Rotations: 45°, 90°, 135°, 180°, and 225°)

Feature 2: Start of rotation can be changed.

- Start of rotation can be changed to 45° up from the vertical line to A-port side.
(Top view from side port and long-shaft side)

Comparison with standard product

11 different rotations are available. (*1)

*1) Rotations and tolerance

Rotations	Tolerance
15°, 30°, 60°, 75°	+6° 0
105°, 120°, 150°, 165°, 195°, 210°, 240°	+4° 0

Specifications

The specifications are the same as those of the standard Series CRB1 except for rotations. Refer to our Best Pneumatics general catalog for detailed specifications.

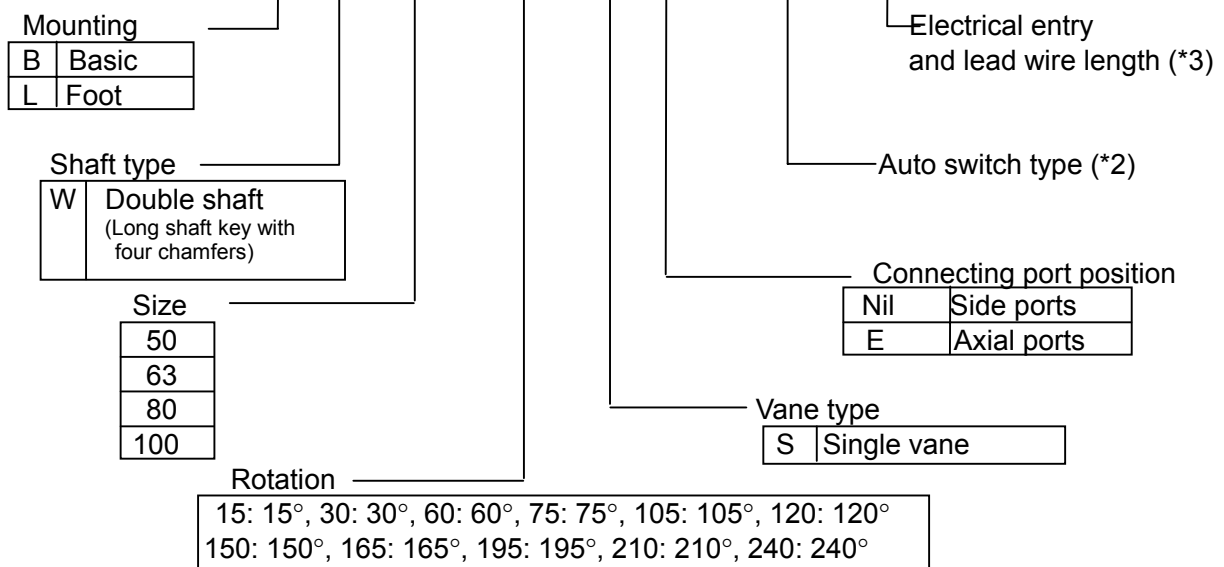
How to Order

Without auto switch

CRB1 B W 50-105 S -X121

With auto switch

CDRB1 B W 50-105 S -R73 -X121



*2) Type of auto switch

Symbol	Part numbers	Type
R73	D-R731, D-R732	Reed
R80	D-R801, D-R802	
S79	D-S791, D-S792	Solid state (3-wire)
S7P	D-S7P1, D-S7P2	
T79	D-T791, D-T792	Solid state (2-wire)

*3) Electrical entry/Lead wire length

Symbol	Electrical entry and length
Nil	Grommet, lead wire length: 0.5m
L	Grommet, lead wire length: 3m
C	Connector, lead wire length: 0.5m
CL	Connector, lead wire length: 3m
CN	Connector, without lead wire

*4) One right-hand and one left-hand switches will be shipped.

*5) Auto switches will be packaged and shipped together with cylinders (not assembled).

*6) Part numbers for lead wires with connectors, and respective wire length in () are:

D-LC05 (0.5m) D-LC30 (3m) lead wire length

*7) Refer to our Best Pneumatics general catalog for auto switch specifications.

Dimensions: mm

The dimensions without auto switch are the same as those for the standard models. Contact your sales representative regarding detailed specifications.

Caution: To ensure the safest possible operation of this product, please be sure to read thoroughly the "Safety Instructions" in our "Best Pneumatics" general catalog before use.