

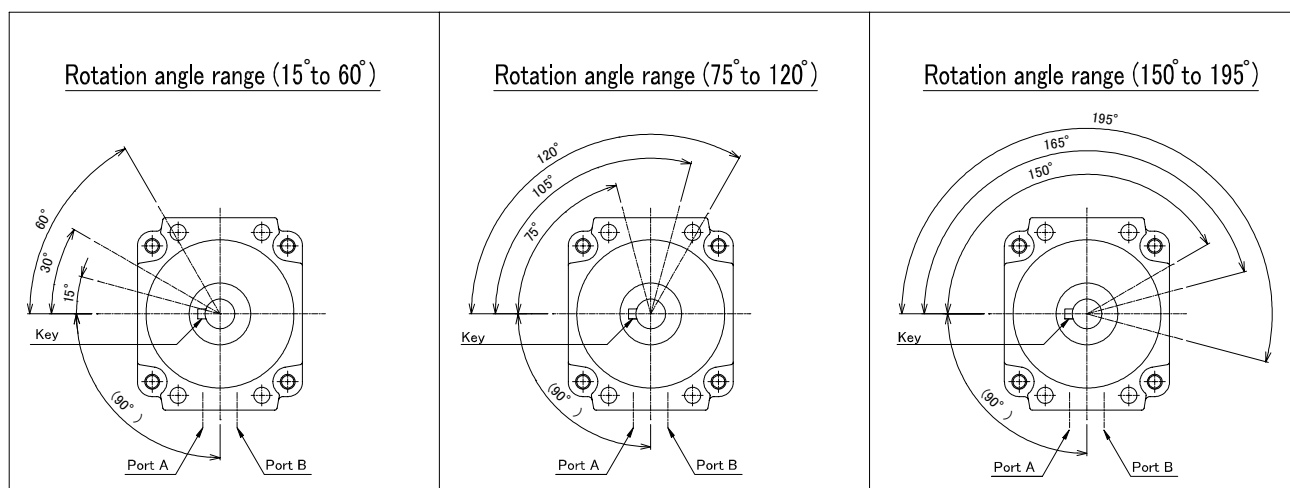
Vane Type Rotary Actuator

CRB1-X122
CDRB1-X122

SMC CORPORATION
1-16-4 Shimbashi, Minato-ku
Tokyo 105-0004, JAPAN

URL: <http://www.smcworld.com>

Application: Rotation angles are selectable in 15° increments according to the application.



The illustrations above show the key positions when B port is pressurized.

Feature 1: Rotation angle is available in the range of 15 to 195° in the increments of 15° from the start of rotation.

- Except for standard models and special order models (XC4, XC5 and XC6).
(Rotations: 45°, 90°, 135°, and 180°)

Feature 2: Start of rotation can be changed.

- Start of rotation can be changed to 90° up from the vertical line to A-port side.
(Top view from side port and long-shaft side)

Comparison with standard product

9 different rotations are available. (*1)

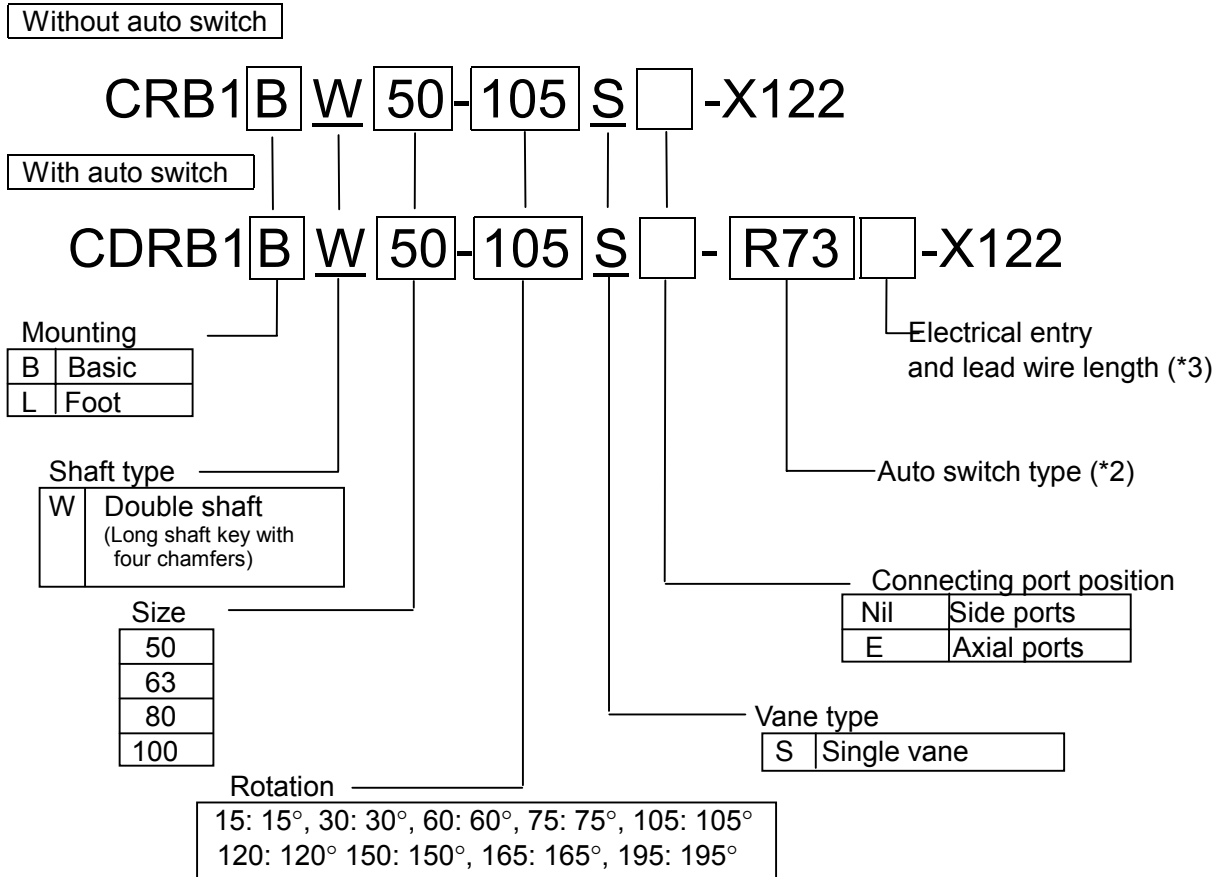
*1) Rotations and tolerance

Rotations	Tolerance
15°, 30°	+8° 0
60°, 75°, 105°, 120°	+6° 0
150°, 165°, 195°	+4° 0

Specifications

The specifications are the same as those of the standard Series CRB1 except for rotations. Refer to our Best Pneumatics general catalog for detailed specifications.

How to Order



*2) Type of auto switch

Symbol	Part numbers	Type
R73	D-R731, D-R732	Reed
R80	D-R801, D-R802	
S79	D-S791, D-S792	Solid state (3-wire)
S7P	D-S7P1, D-S7P2	
T79	D-T791, D-T792	Solid state (2-wire)

*3) Electrical entry/Lead wire length

Symbol	Electrical entry and length
Nil	Grommet, lead wire length: 0.5m
L	Grommet, lead wire length: 3m
C	Connector, lead wire length: 0.5m
CL	Connector, lead wire length: 3m
CN	Connector, without lead wire

*4) One right-hand and one left-hand switches will be shipped.

*5) Auto switches will be packaged and shipped together with cylinders (not assembled).

*6) Part numbers for lead wires with connectors, and respective wire length in () are:

D-LC05 (0.5m) D-LC30 (3m) lead wire length

*7) Refer to our Best Pneumatics general catalog for auto switch specifications.

Dimensions: mm

The dimensions without auto switch are the same as those for the standard models. Contact your sales representative regarding detailed specifications.



Caution: To ensure the safest possible operation of this product, please be sure to read thoroughly the "Safety Instructions" in our "Best Pneumatics" general catalog before use.