

# Air Operated 3-Port High Purity Chemical Valve

## SMC CORPORATION

 1-16-4 Shimbashi, Minato-ku  
Tokyo 105-0004, JAPAN

 URL: <http://www.smcworld.com>

## LVA2\*0-03-F-X41

Feature 1: Air operated 3-port high purity chemical valve

(Available valve types: normally closed (N.C.) and double acting)

Feature 2: Materials used on wetted parts construction:

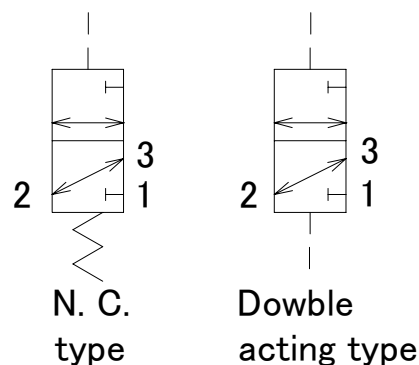
Diaphragm	FKM
Body	POM (Polyacetal)
Shaft	316 Grade Stainless Steel

### Warning

The products featured herein have been designed for use in various operating conditions. The ultimate responsibility for determining their compatibility with a specific system belongs to the person designing such a system. System design and specifications should be decided following any necessary analyses and/or tests. The designer of the system is also responsible for the guarantee of the expected performance and safety of the system.

## Specifications

Operating pressure	0 to 0.5MPa	
Pilot pressure	0.3 to 0.6MPa	
Valve type	N.C. or Double acting	
Fluid	Limit fluids to those that are non-corrosive to wetted parts materials.	
Cv. factor	0.8	
Fluid temperature range	0 to 60°C	
Ambient temperature range	0 to 60°C	
Materials for Wetted parts	Diaphragm	FKM
	Body	POM (Polyacetal)
	Shaft	316 Grade Stainless Steel
Port size	Rc3/8	



### ISO symbols

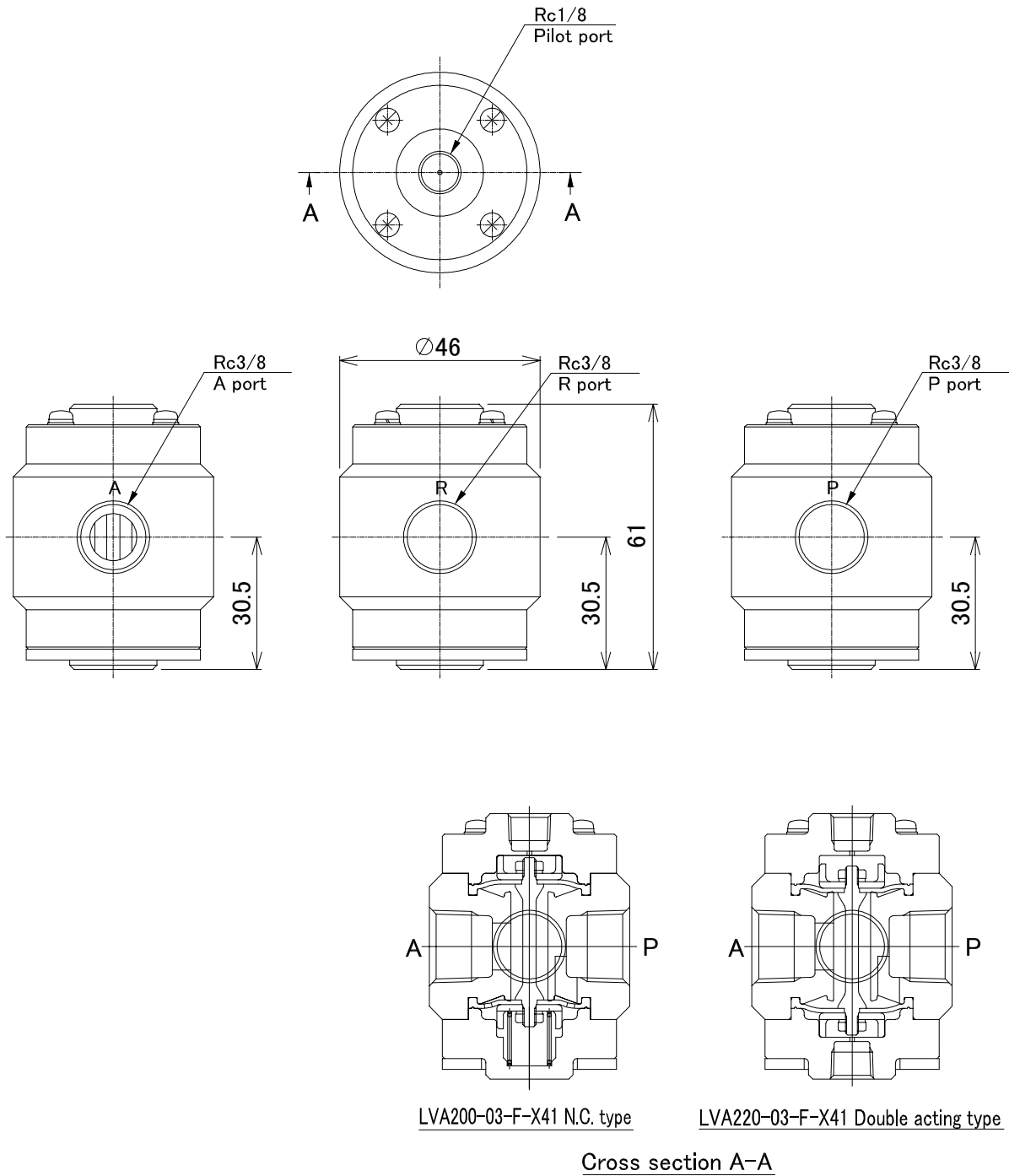
## How to Order

LVA2  0-03-F-X41

Valve type

0	N.C.
2	Double acting

Dimensions: mm



**Caution**

To ensure the safest possible operation of this product, please be sure to read thoroughly the "Safety Instructions" in our "Series LV (High Purity Chemical Valve)" catalog (CAT.E709) before use.