

Compact Cylinder/Single Acting Non-rotating Rod Type

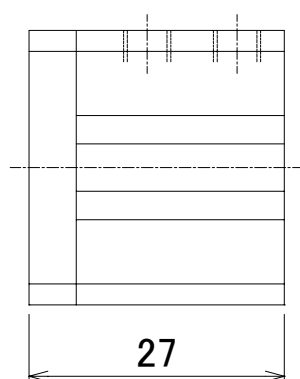
CQSKB16S-W3016-5

SMC CORPORATION
1-16-4 Shimbashi, Minato-ku
Tokyo 105-0004, JAPAN
URL: <http://www.smcworld.com>

Feature 1: Additional single acting to non-rotating rod type

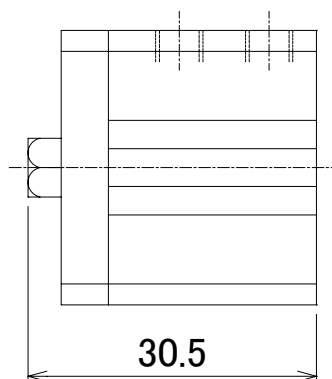
Feature 2: Compact body

(Overall length is 3.5mm shorter compared to standard product)



Special order (Model: CQSKB16S-W3016-5)

Single acting/spring return type, Without magnet for auto switch



Standard (Model: CQSKB16-5D)

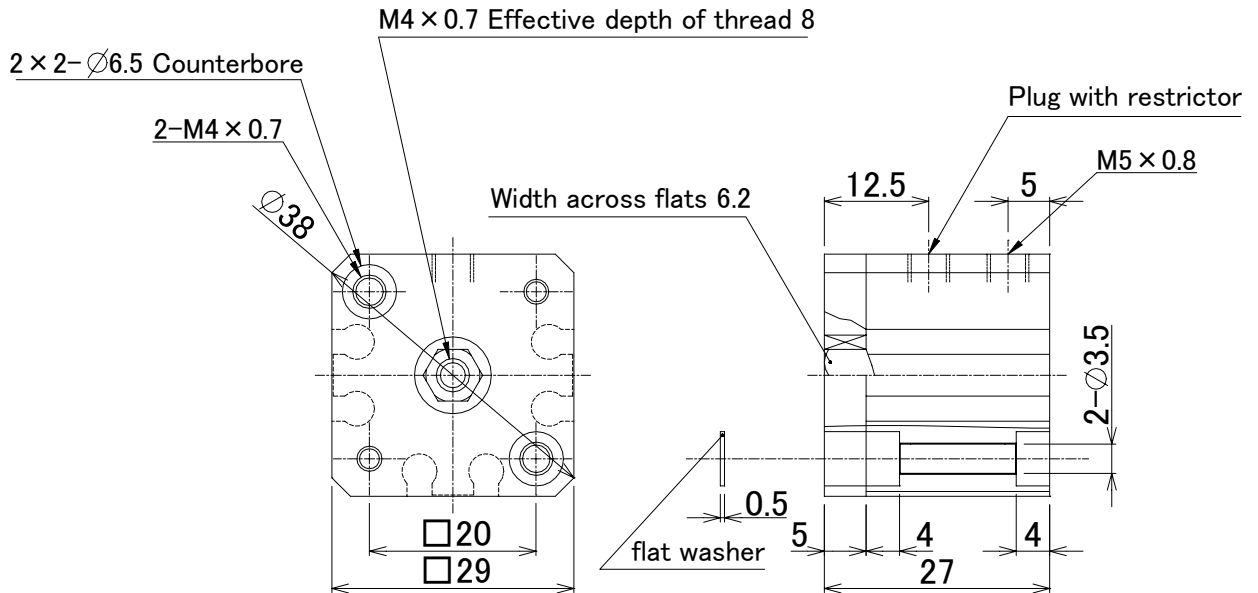
Non-rotating rod type, Double acting single rod, Without magnet for auto switch

Specifications

Type	CQSKB16S-W3016-5
Bore size	Ø16mm
Action	Single acting/spring return
Fluid	Air
Maximum operating pressure	1.0MPa
Minimum operating pressure	0.25MPa
Proof pressure	1.5MPa
Ambient and fluid temperature	-10 to 70°C (No freezing)
Cushion	Not available
Lubrication	Not required (Non-lube)
Non-rotating accuracy	±1°
Piston speed	50 to 500mm/s
Thread tolerance	JIS class 2
Stroke	5mm
Stroke length tolerance	$\begin{matrix} +1.0 \\ 0 \end{matrix}$ mm
Mounting	Common to through hole and double end tapped
Accessory	2 flat washers
Magnet	Not available

Dimensions: mm

CQSKB16S-W3016-5



Theoretical Force [Unit: N]

Action	Bore size	Rod size	Action	Piston area	Operating pressure [MPa]			Retracted Position	Extended Position
					0.3	0.5	0.7		
Spring return	$\varnothing 16\text{mm}$	Across flats 6.2mm	IN	—	45N	86N	126N	15N	10N
			OUT	201mm ²					

Note 1: Included flat washers must be used for through-hole mounting.

Note 2: In case of through-hole mounting, order the following bolts separately, "M3 × 25ℓ" for head side mounting, "M3 × 30ℓ" for rod side mounting.

Note 3: This product does not have built-in magnet for auto switch.

Note 4: Minimum operating pressure for this product is 0.25MPa.

Note 5: Refer to Series CQSK in our Best Pneumatics (general catalog) for allowable kinetic energy and each precaution of product etc.

⚠ Caution

To ensure the safest possible operation of this product, please be sure to read thoroughly the "Safety Instructions" in our "Best Pneumatics" (general catalog) before use.