

⚠ Contact our sales office for delivery dates and prices as this is a special model.



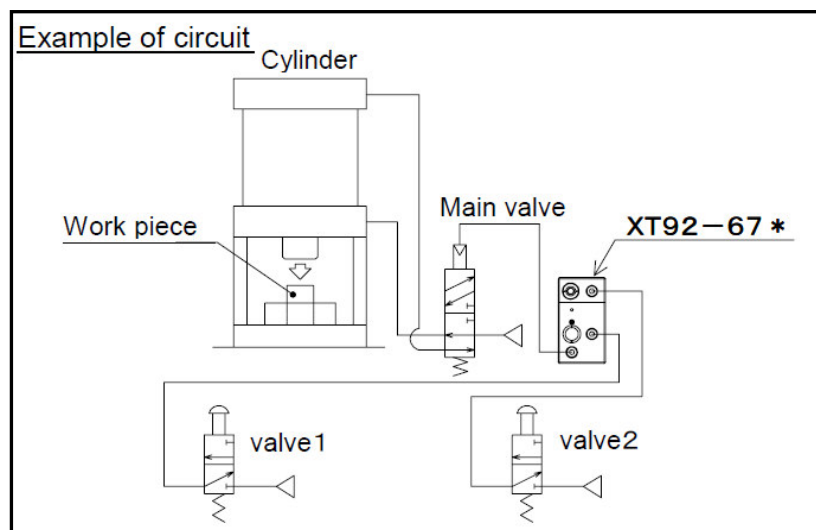
P.G.Information (Specialized product)

SP023M-068E  
P: HR

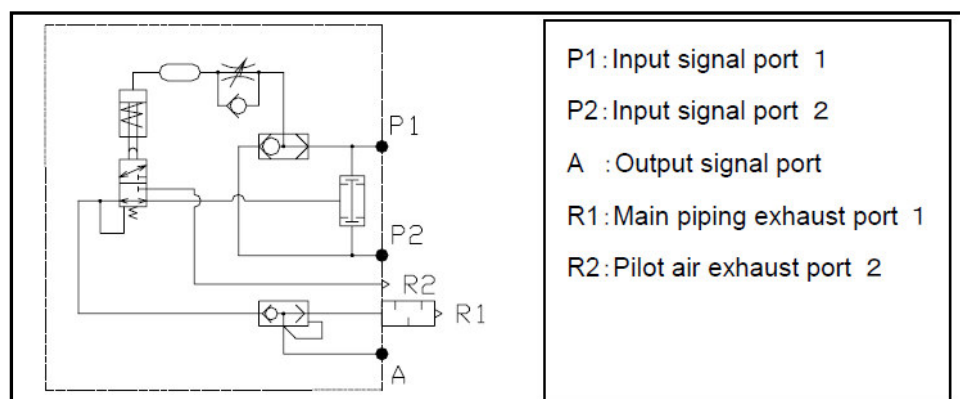
# Air Operated Valve Both hands Operation Unit XT92-67\*

SMCCorporation  
4-14-1, SOTO-KANDA, CHIYODA-KU,  
TOKYO 101-0021, JAPAN  
URL: <http://www.smcworld.com>

- Application: Safety measure so that hands will not be caught in press machine or other machines.
- Feature1 : Only simultaneous signal inputs within 0.5s from two lines can output signals.
- Feature2 : Possibility to change the timing for signal inputs from two lines.
- Application Examples : Press fitting, Clamping, Pressing



## Internal Circuit Diagram



## ■ Specifications

Fluid	Air
Maximum operating pressure	0.8MPa
Minimum operating pressure	0.25MPa
Ambient and fluid temperature	-5 to 60°C (No freezing)
Cv factor (Exhaust end)	0.25
Adjustable range of both hands operation timing (*)	Within 0.5s
Adjusting mean of both hands operation timing	Needle operation
port size(P1, P2, A)	1/8 (Rc, NPT, G)
Mass	300g

\*) The adjustment range of the needle varies depending on the operating pressure and piping conditions.

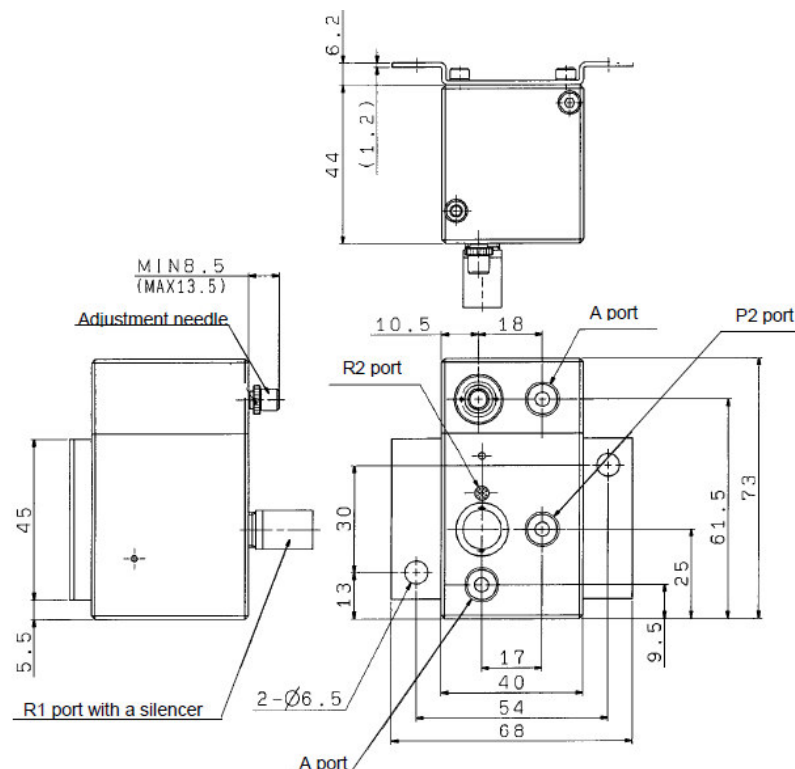
## ■ How to Order

XT92 - 67

Piping Port type

-	Rc1/8
N	NPT1/8
F	G1/8

## ■ Dimensions: mm



## Precautions

- This product does not guarantee the absolute safety. It can bring hazardous situation depending on the usage. Please add the safety device in the possible unsafe situation.
- This product doesn't have push button. Please use the signal input valve, such as mechanical valve with push button according to the application.



Caution: To ensure the safest possible operation of this product, please be sure to thoroughly read the "**Safety Instructions**" in our "Best Pneumatics" catalog before use.