

Air Suction Filter with One-touch Fittings In-line Type

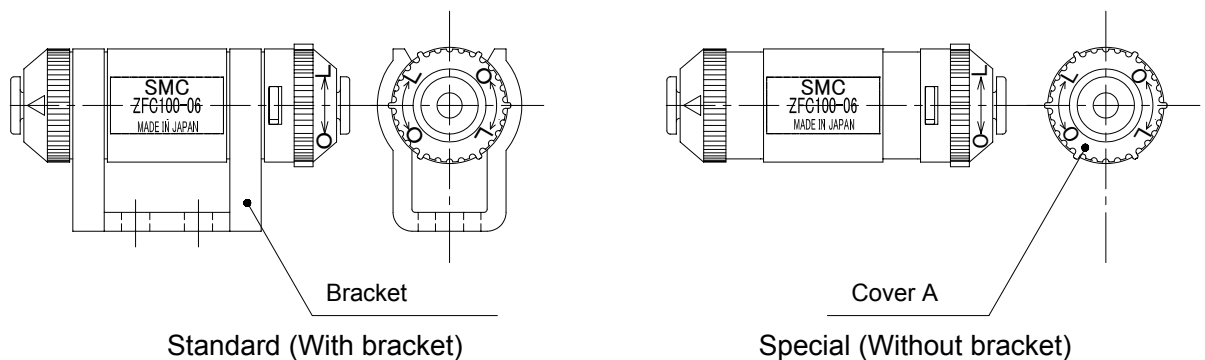
Without bracket

ZFC-X3

SMC CORPORATION
1-16-4 Shimbashi, Minato-ku
Tokyo 105-0004, JAPAN
URL: <http://www.smcworld.com>

Feature 1: No bracket attached

Since standard products are only available with brackets, this special is designed for applications where the bracket is not needed.



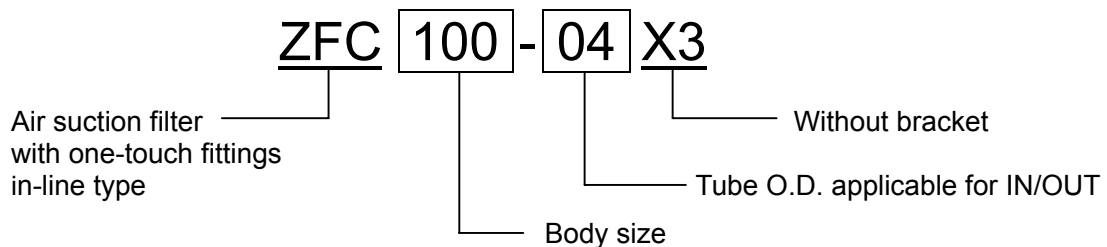
Note: For element replacement, turn the cover in the direction of O (OPEN) to remove it and in the direction of L (LOCK) to mount it on.
Please refer to the element replacement procedure of series ZFC for details.

Specifications

Specifications are the same as those of the standard series ZFC.
Please refer to our "Best Pneumatics" general catalog for details.


How to Order

To order the one without bracket, indicated "X3" instead of "B (with bracket)" at the end of the standard part number. Please refer to the how to order of standard series ZFC for details.



Dimensions

Dimensions are the same as those of standard series ZFC excluding a bracket attached.

 **Caution** To ensure the safest possible operation of this product, please be sure to read thoroughly the "Safety Instructions" in our "Best Pneumatics" general catalog before use.