

Stainless steel specification

Standard Speed Controller (Metal Body Elbow Style)

INA-14-204、209、213、233、498、499

Feature: Metal parts are stainless steel

Ideal for applications involving corrosive environments where rusting could be a problem or CRT lines where copper ions should not be introduced etc.



Comparison with standard products

Metal parts are stainless steel compared to brass. Although the appearance is different, the operating specifications are the same as the standard products.

Specifications

Fluid	Air
Note1) Proof pressure	1.5MPa (1.05MPa)
Note1) Max. operating pressure	1MPa (0.7MPa)
Min. operating pressure	0.1MPa
Ambient and fluid temperature	-5~60°C (No freezing)

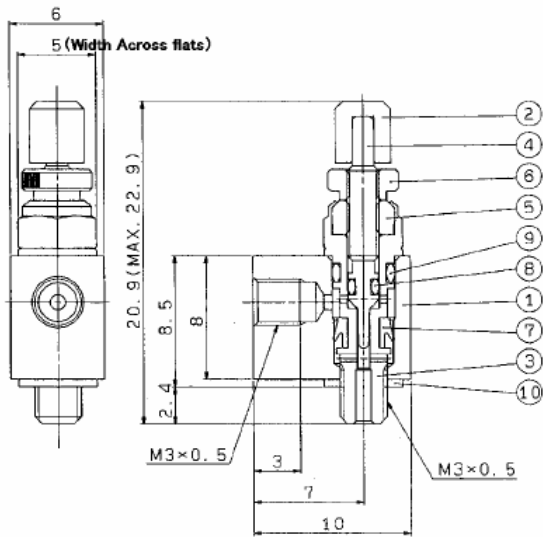
Note 1) In case of INA-14-233.

Series

Model (No. of products equivalent to standards)	Port size	Controlled	Controlled flow (Free flow)		Applicable cylinder bore size mm
			Air flow L/min (ANR)	Effective area m m ²	
INA-14-233 (AS1200-M3)	M3	Meter-out	20	0.3	2.5, 4, 6
INA-14-213 (AS1200-M5)	M5		105	1.6	6, 10, 16, 20, 25
INA-14-204 (AS2200-01)	R1/8		230	3.5	20, 25, 32, 40
INA-14-498 (AS2200-02)	R1/4		460	7	
INA-14-499 (AS3200-03)	R3/8		920	14	32, 40, 50, 63
INA-14-209 (AS4200-04)	R1/2		1700	26	80, 100

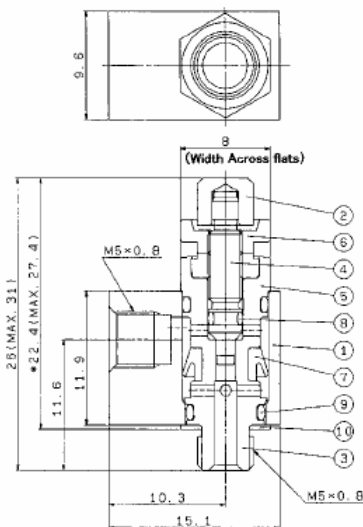
Construction · Dimensions: mm

INA-14-233



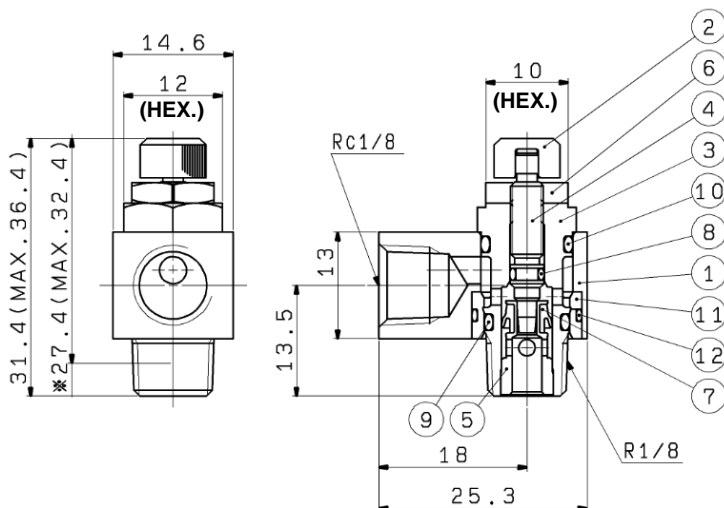
NO.	Description	Material
①	Body A	SUS304
②	Handle	SUS303
③	Body B	SUS303
④	Needle	SUS303
⑤	Needle guide	SUS303
⑥	Lock nut	SUS303
⑦	U-packing	NBR
⑧	O-ring	NBR
⑨	O-ring	NBR
⑩	Gasket	PVC

INA-14-213



NO.	Description	Material
①	Body A	SUS304
②	Handle	SUS303
③	Body B	SUS303
④	Needle	SUS303
⑤	Needle guide	SUS303
⑥	Lock nut	SUS303
⑦	U-packing	NBR
⑧	O-ring	NBR
⑨	O-ring	NBR
⑩	Gasket	Stainless steel·NBR

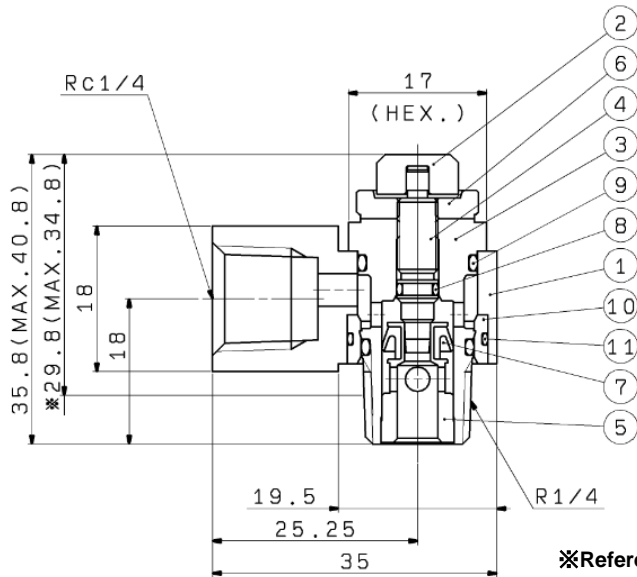
INA-14-204



NO.	Description	Material
①	Body A	SUS304
②	Handle	SUS303
③	Body B	SUS303
④	Needle	SUS303
⑤	Seat ring	SUS303
⑥	Lock nut	SUS303
⑦	U-packing	HNBR
⑧	O-ring	NBR
⑨	O-ring	NBR
⑩	O-ring	NBR
⑪	Bush	PBT
⑫	O-ring	NBR

※Reference dimension after screwed in.

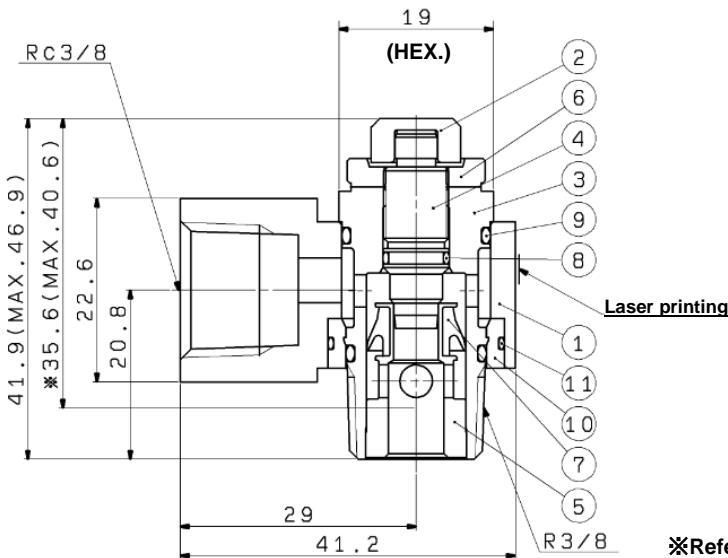
INA-14-498



NO.	Description	Material
①	Body A	SUS304
②	Handle	SUS303
③	Body B	SUS303
④	Needle	SUS303
⑤	Seat ring	SUS303
⑥	Lock nut	SUS303
⑦	U-packing	HNBR
⑧	O-ring	NBR
⑨	O-ring	NBR
⑩	Bush	PBT
⑪	O-ring	NBR

※Reference dimension after screwed in.

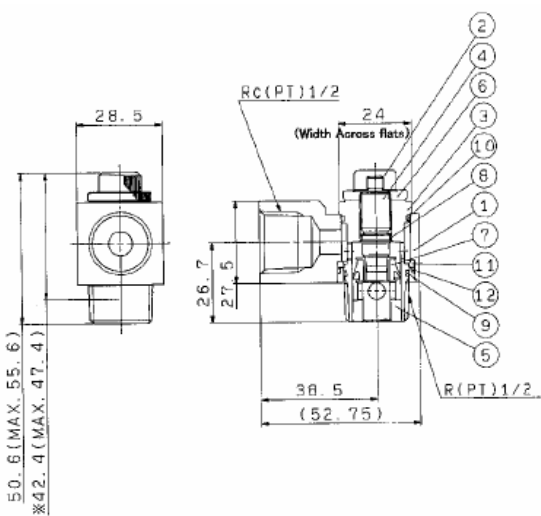
INA-14-499



NO.	Description	Material
①	Body A	SUS304
②	Handle	SUS303
③	Body B	SUS303
④	Needle	SUS303
⑤	Seat ring	SUS303
⑥	Lock nut	SUS303
⑦	U-packing	HNBR
⑧	O-ring	NBR
⑨	O-ring	NBR
⑩	Bush	PBT
⑪	O-ring	NBR

※Reference dimension after screwed in.

INA-14-209



NO.	Description	Material
①	Body A	SUS303
②	Handle	SUS303
③	Body B	SUS303
④	Needle	SUS303
⑤	Seat ring	SUS303
⑥	Lock nut	NBR
⑦	U-packing	NBR
⑧	O-ring	SUS303
⑨	O-ring	HNBR
⑩	O-ring	NBR
⑪	Bush	PBT
⑫	O-ring	NBR



Caution: To ensure the safest possible operation of this product, please be sure to read thoroughly the "Safety Instructions" in our "Best Pneumatics" general catalog before use.