

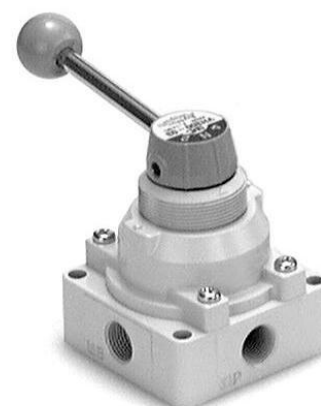
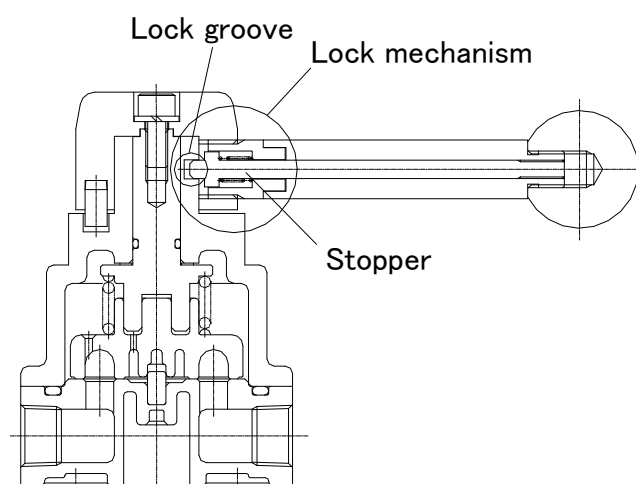
Hand Valve with Lock Mechanism

SMC CORPORATION
1-16-4 Shimbashi, Minato-ku
Tokyo 105-0004, JAPAN
URL: <http://www.smcworld.com>

INA-24-**-**

Feature: Prevent the handle from erroneous operation with the lock mechanism

The lock mechanism works at each switching position to prevent an inadvertent operation.
The lock can be released by pulling the handle in the axial direction. When the handle reaches to the each switching position, the lock mechanism will latch (the stopper engages the lock groove), causing the handle to lock.



Series VH300
(Basic Type)

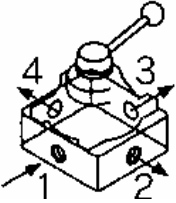
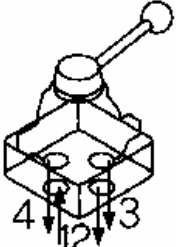
Comparison with standard products

The handle operating section incorporates the lock mechanism. All other specifications are the same as the standard products (VH3**series).

Specifications

Fluid	Air
Standard specifications	1.5MPa
Max.operating pressure	1.0MPa
Ambient and fluid temperature	-5~60°C (No freezing)
Operating angle	90°
Lubrication	Not required lubricated, use turbine oil #1 (ISO VG32)
Effective mm ² (Cv factor)	Rc1/4:17(0.9) 、 Rc3/8:20(1.1)

Series

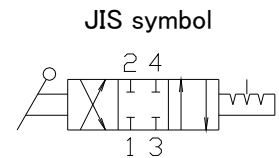
Port size	Number of positions	Piping direction	Model
Rc1/4	3 (Closed center)	Side 	INA-24-11-(N)02,03
	3 (Exhaust center)		INA-24-48-(N)02,03
	2 (Position)		INA-24-39-(N)02,03(-R)
Rc3/8	3 (Closed center)	Bottom 	INA-24-45-(N)02,03(-R)
	3 (Exhaust center)		INA-24-51-(N)02,03
	2 (Position)		INA-24-46-(N)02,03

How to Order

Side piping

INA-24-11- ☒ 02

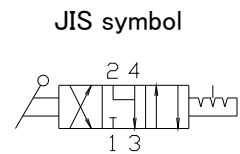
Thread type		Port size	
Nil	Rc	02	1/4
N	NPT	03	3/8



3 position closed center

INA-24-48- ☒ 02

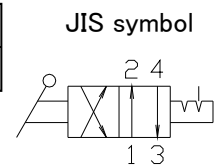
Thread type		Port size	
Nil	Rc	02	1/4
N	NPT	03	3/8



3 position exhaust center

INA-24-39- ☒ 02-R

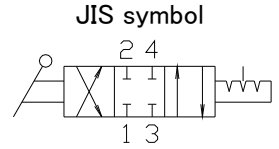
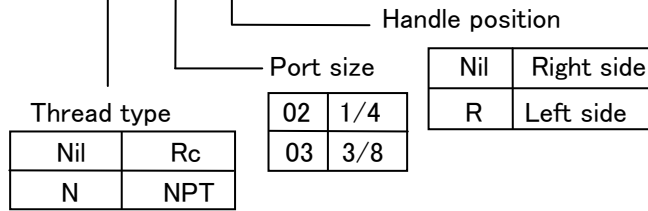
Thread type		Port size		Handle position	
Nil	Rc	02	1/4	Nil	Right side
N	NPT	03	3/8	R	Left side



2 position

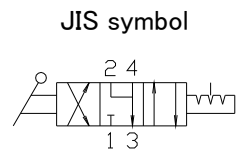
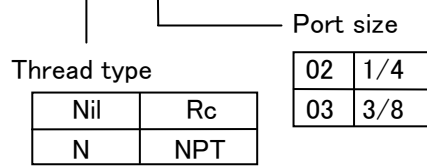
Bottom piping

INA-24-45- ☒ 02 R



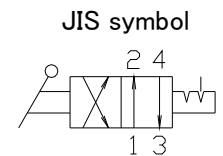
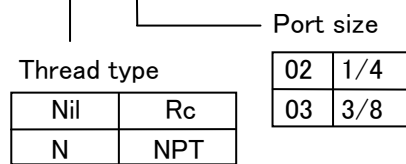
3 position closed center

INA-24-51- ☒ 02



3 position exhaust center

INA-24-46- ☒ 02

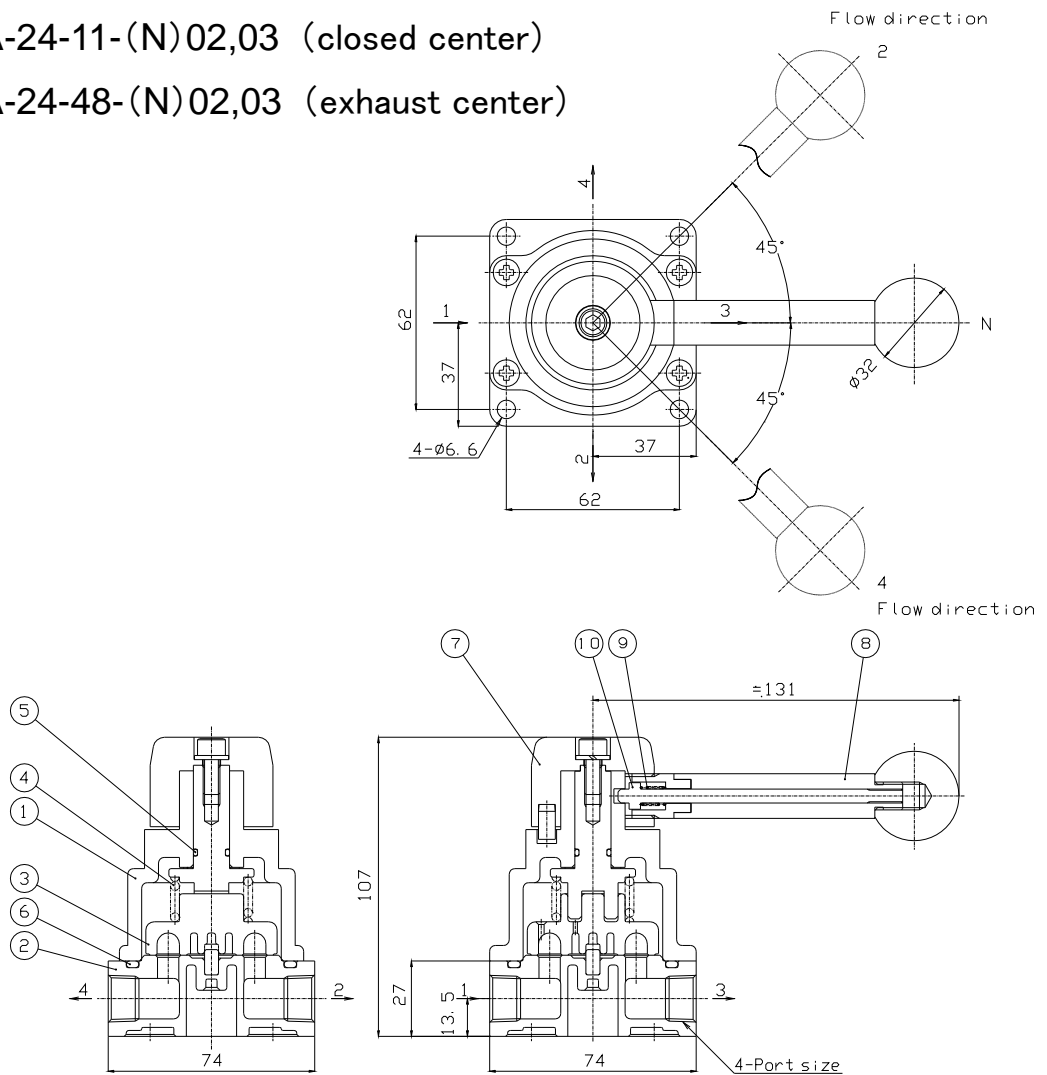


2 position

Dimensions: mm

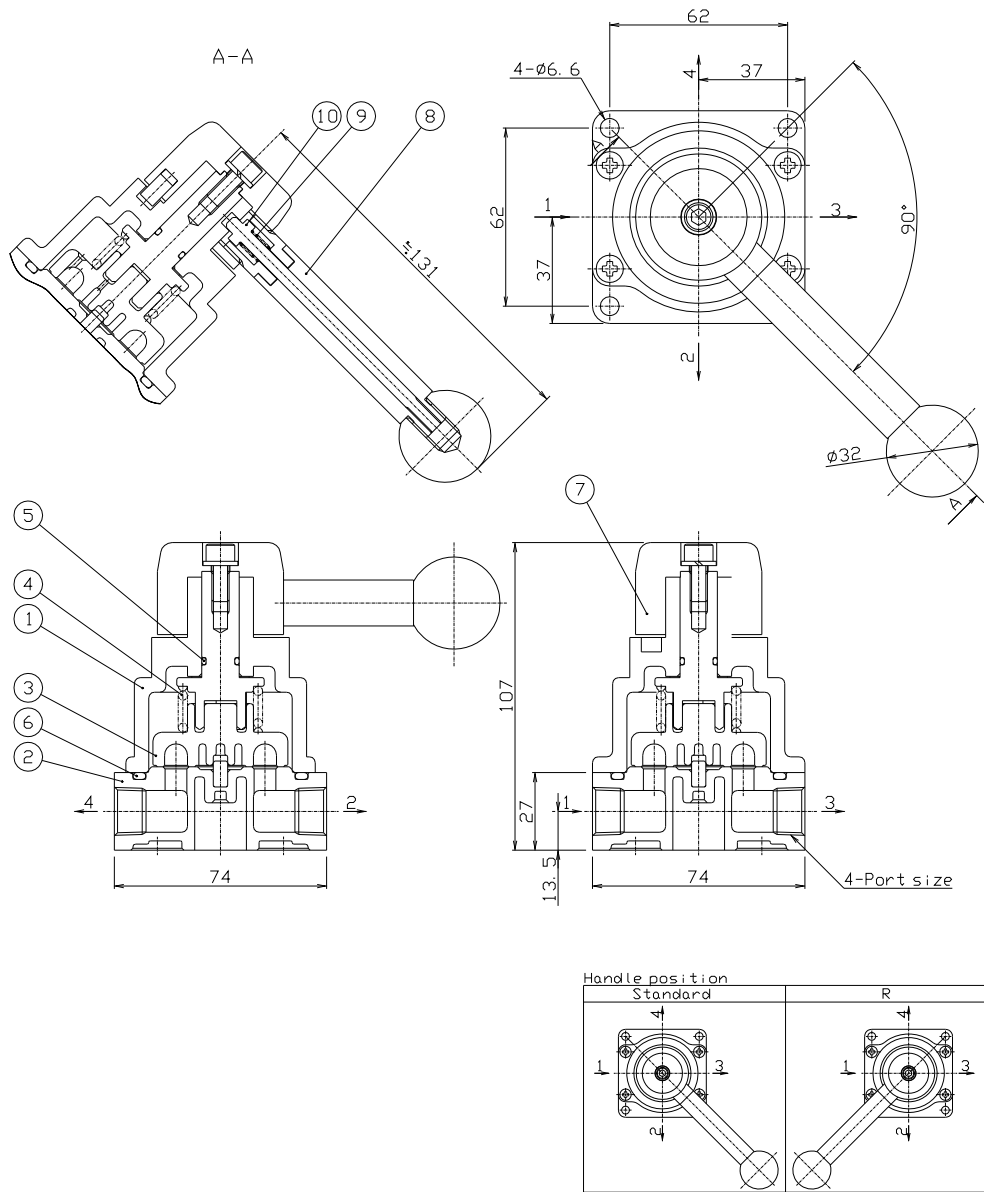
INA-24-11-(N)02,03 (closed center)

INA-24-48-(N)02,03 (exhaust center)



No.	Description	Material
①	Cover	Zinc die cast
②	Body	Aluminium die cast
③	Slide ring	Resin
④	Slide ring spring	Piano wire
⑤	Oring	NBR
⑥	O ring	NBR
⑦	Handle head	—
⑧	Handle rod	—
⑨	Valve spring	Stainless steel
⑩	Stopper	—

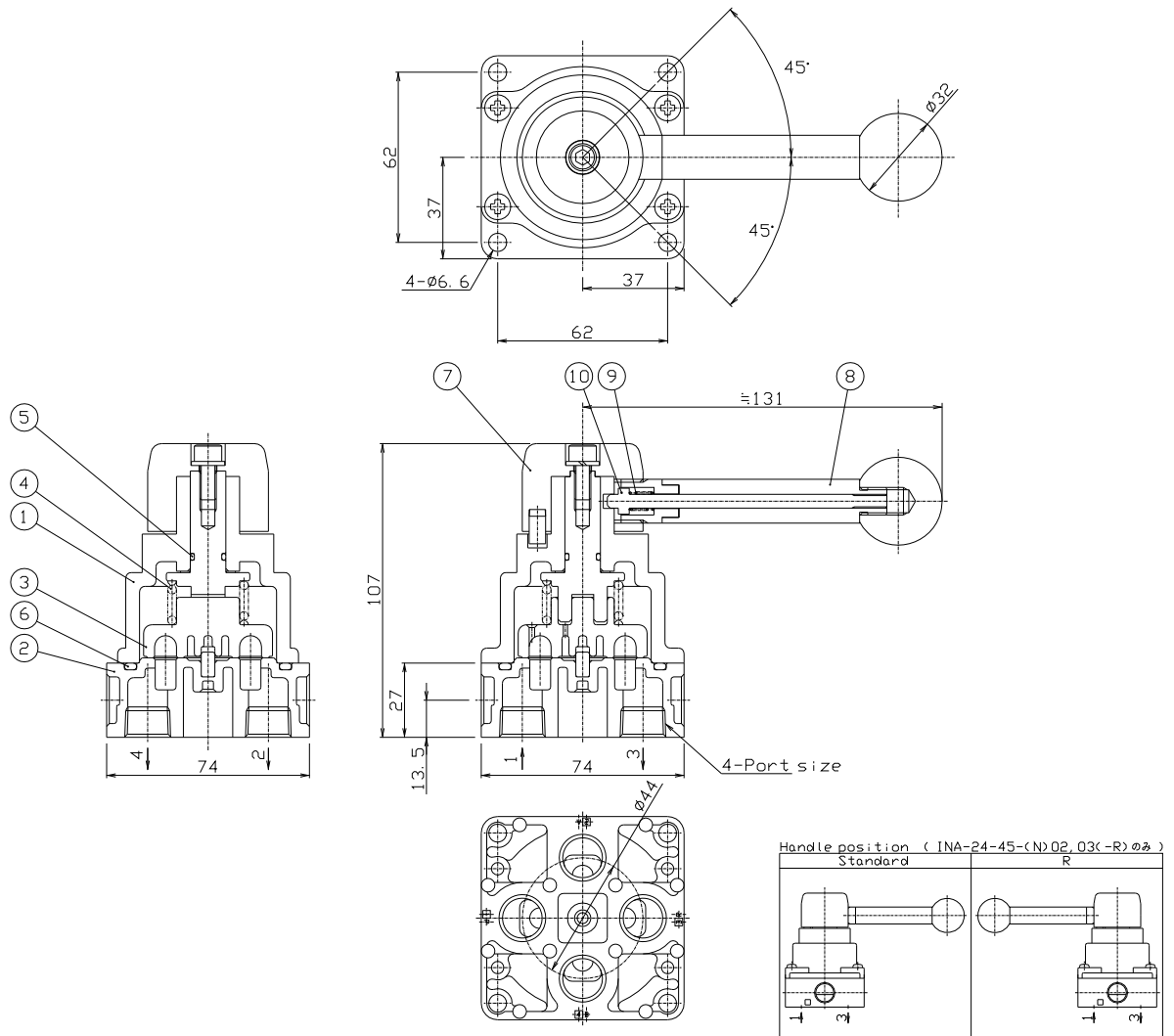
INA-24-39-(N)02,03(-R) (2 Position)



No.	Description	Material
①	Cover	Zinc die cast
②	Body	Aluminium die cast
③	Slide ring	Resin
④	Slide ring spring	Piano wire
⑤	Oring	NBR
⑥	O ring	NBR
⑦	Handle head	—
⑧	Handle rod	—
⑨	Valve spring	Stainless steel
⑩	Stopper	—

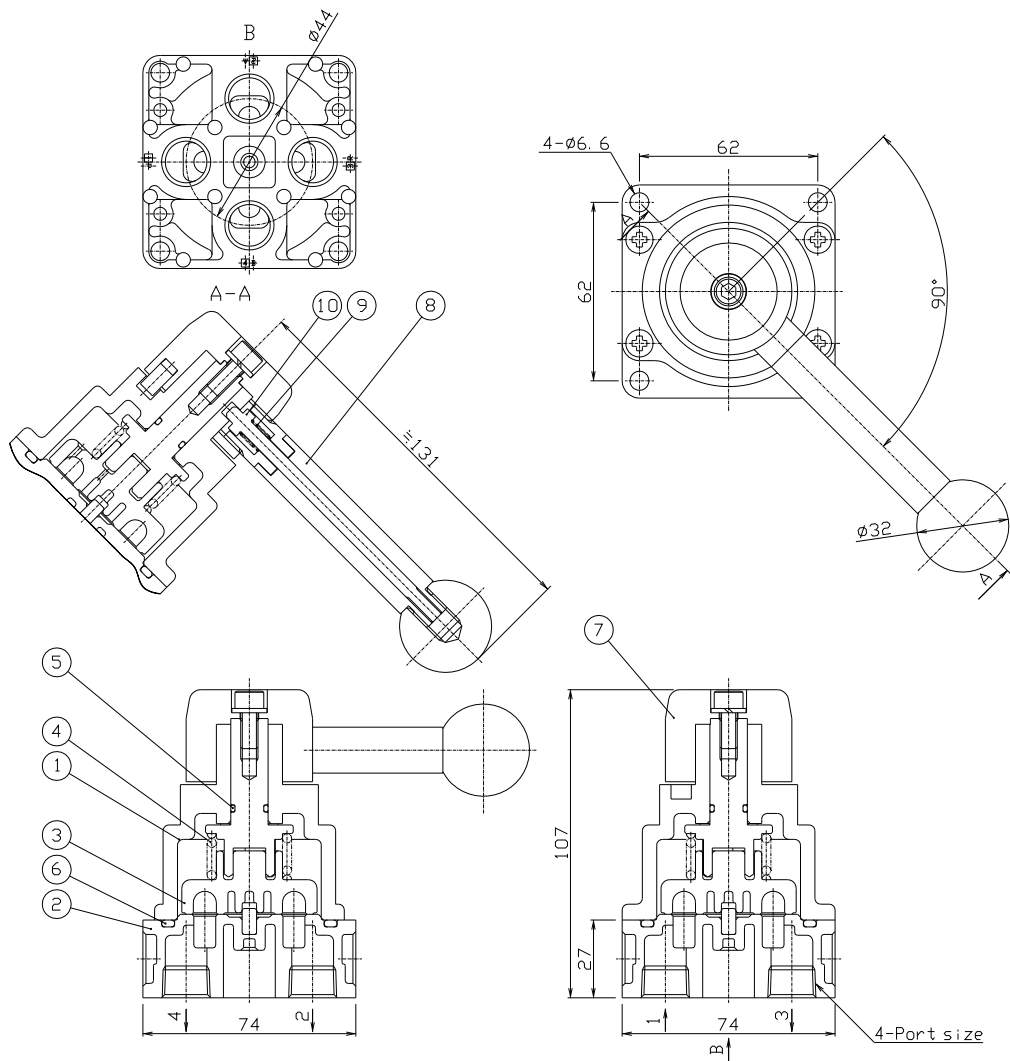
INA-24-45-(N)02,03(-R) (closed center)

INA-24-51-(N)02,03 (exhaust center)



No.	Description	Material
①	Cover	Zinc die cast
②	Body	Aluminium die cast
③	Slide ring	Resin
④	Slide ring spring	Piano wire
⑤	Oring	NBR
⑥	O ring	NBR
⑦	Handle head	—
⑧	Handle rod	—
⑨	Valve spring	Stainless steel
⑩	Stopper	—

INA-24-46-(N)02,03 (2 Position)



No.	Description	Material
①	Cover	Zinc die cast
②	Body	Aluminium die cast
③	Slide ring	Resin
④	Slide ring spring	Piano wire
⑤	Oring	NBR
⑥	O ring	NBR
⑦	Handle head	—
⑧	Handle rod	—
⑨	Valve spring	Stainless steel
⑩	Stopper	—



Caution: To ensure the safest possible operation of this product, please be sure to read thoroughly the "Safety Instructions" in our "Best Pneumatics" general catalog before use.