

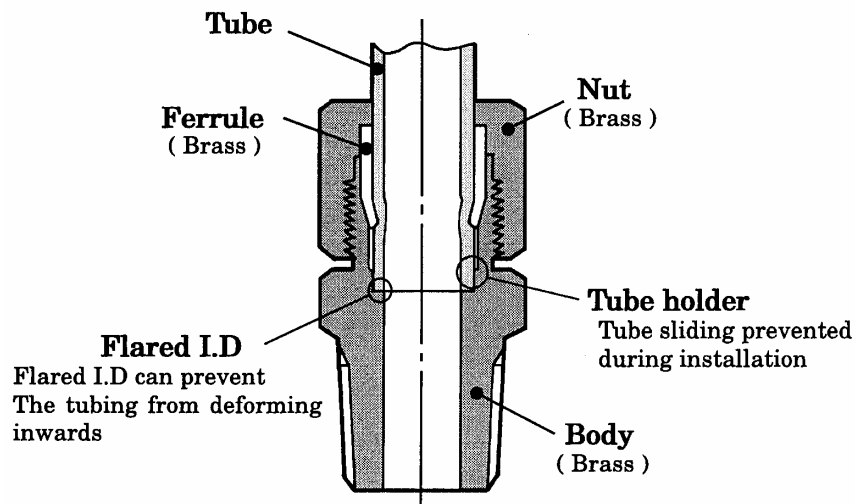
16 size self-align fitting

SMC CORPORATION
1-16-4 Shimbashi, Minato-ku
Tokyo 105-0004, JAPAN
URL: <http://www.smcworld.com>

IN-225-101-1、2 IN-225-102-1、2

Feature: Self-align fitting applicable for Ø16 size tubing

Applicable tube material: Nylon tube, Soft nylon tube, Soft copper tube (C1220T-0)



Specifications

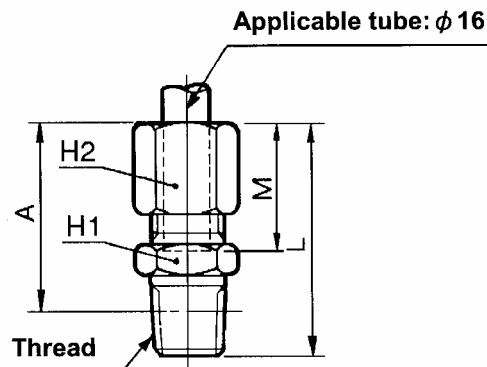
Fluid		Air
Proof pressure		10MPa
Max. operating pressure		1.0MPa
Applicable tube material		Nylon tube, Soft nylon tube, Soft copper tube (C1220T-0)
Applicable tube O.D.		16
Ambient and fluid temperature		-5 ~ 60 (No freezing)
Thread	Thread portion	JIS B 0203 (Taper pipe thread)
	Nut	JIS B 0211 2 class (Metric fine thread)
Sealant (thread portion)		None

How to Order

Male connector

Thread	Part No.	H 1 (Hex.)	H 2 (Hex.)	L	M	* A
R 3/8	IN-225-101-1	22	24	32.3	18.5	27
R 1/2	IN-225-101-2	22	24	35.3	18.5	28.5

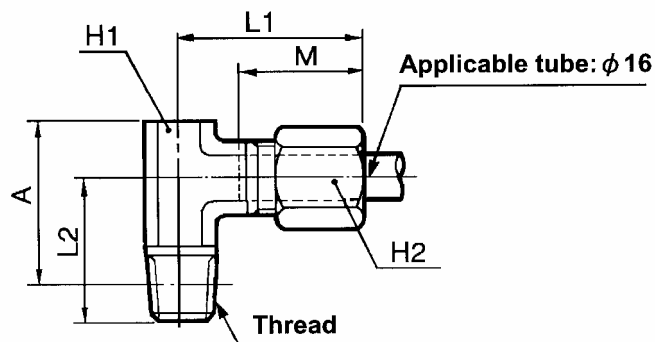
* Reference dimensions after R(PT) thread installation.



Male blow

Thread	Part No.	H 1 (Hex.)	H 2 (Hex.)	L 1	L 2	M	* A
R 3/8	IN-225-102-1	22	24	30.5	29.7	18.5	38
R 1/2	IN-225-102-2	22	24	30.5	32.7	18.5	44

* Reference dimensions after R(PT) thread installation.



Caution: To ensure the safest possible operation of this product, please be sure to read thoroughly the "Safety Instructions" in our "Best Pneumatics" general catalog before use.