

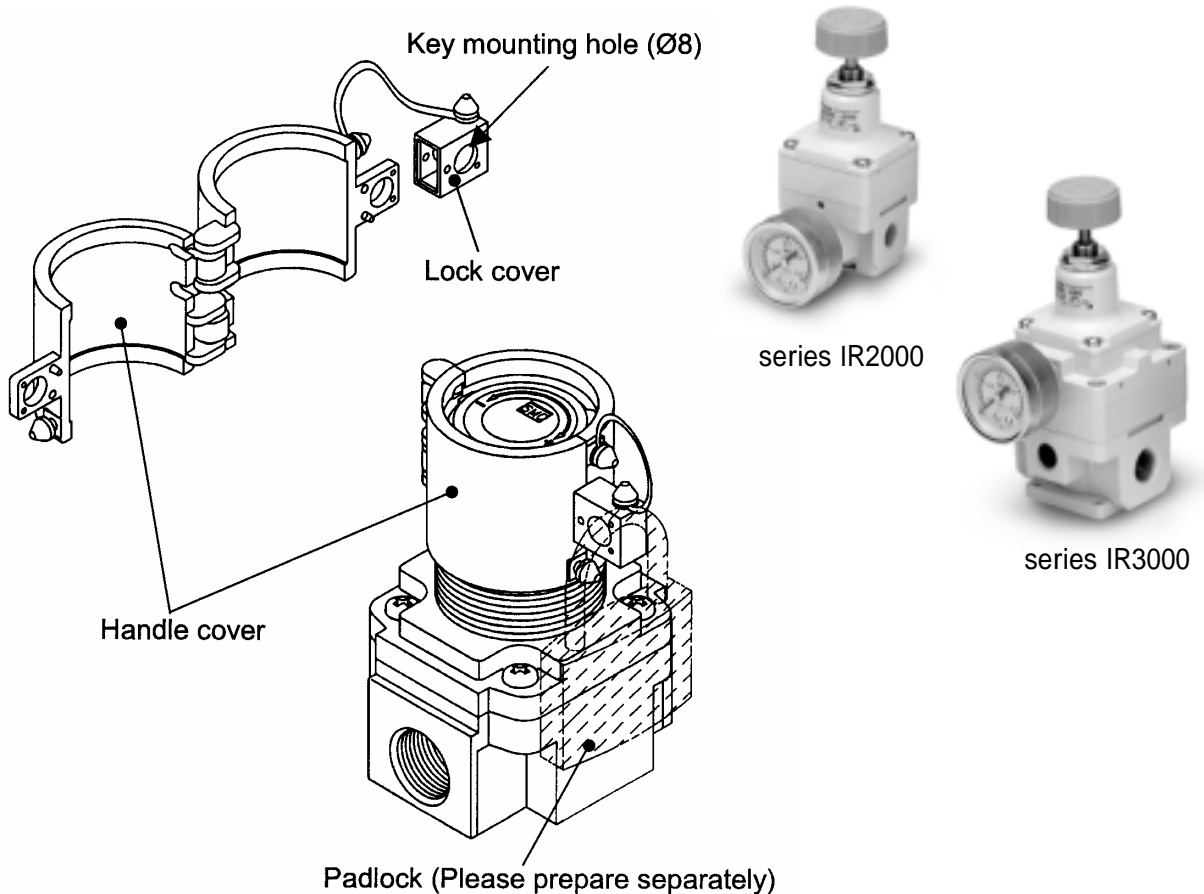
Precision Regulator with Handle Cover

SMC CORPORATION
1-16-4 Shimbashi, Minato-ku
Tokyo 105-0004, JAPAN
URL: <http://www.smcworld.com>

IR20*0-*-DIH00498 、 IR30*0-***-DIH00499**

Feature: A Handle cover is attached the pressure regulator handle to prevent an inadvertent operation.

The handle cover has a lock cover with a key mounting hole.



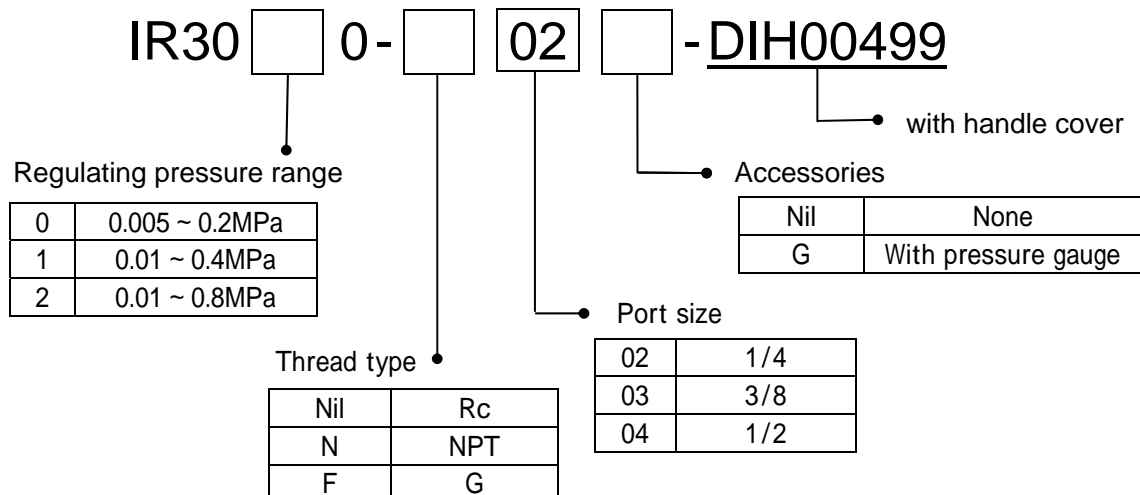
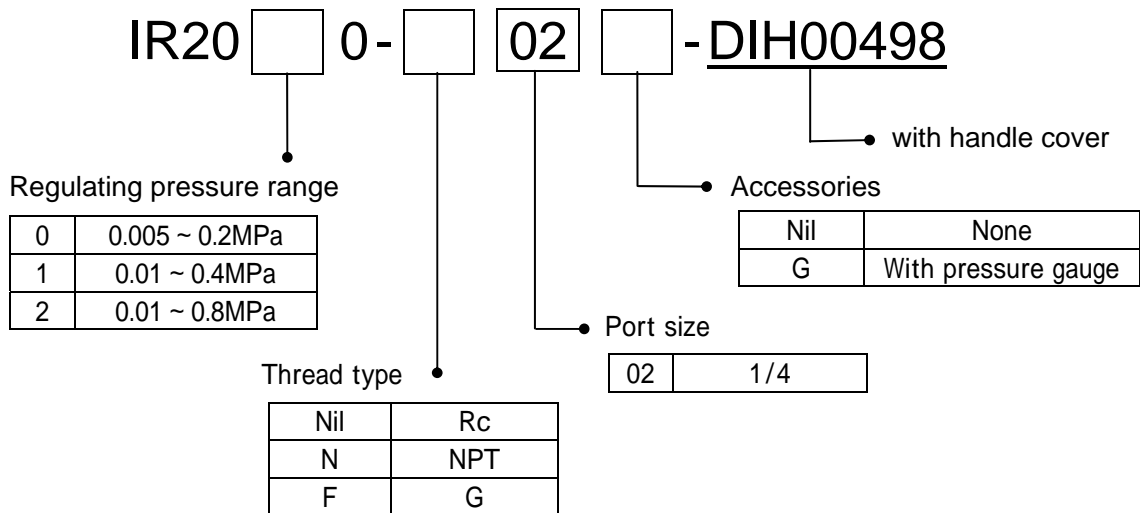
Comparison with standard products

The handle cover (incl. the handle holder) is added. The precision regulator's body is the same as the standard IR series.

Specifications (same as those of standard IR)

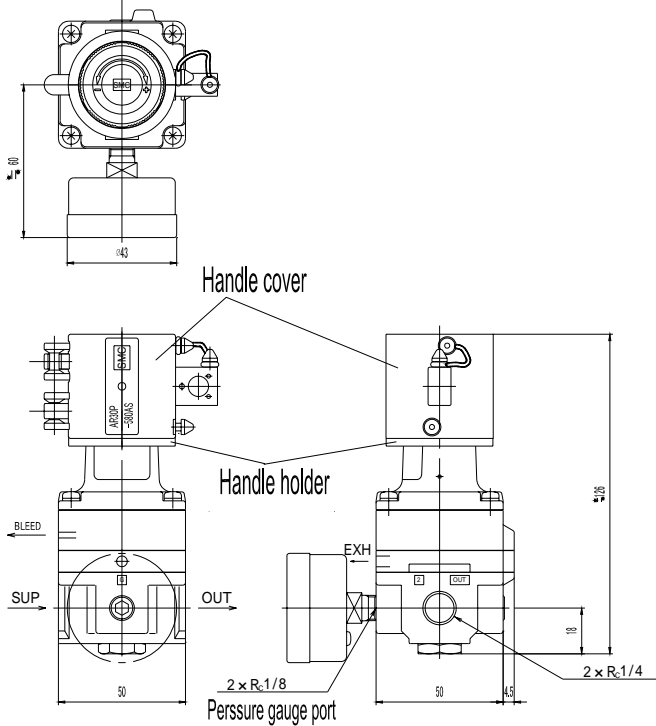
Model	IR20*0-***-DIH00498	IR30*0-***-DIH00499
Fluid	Air	
Max. supply pressure	1.0 MPa	
Min. supply pressure	Set pressure+0.05MPa	Set pressure+0.1MPa
Regulating pressure range	IR2000 : 0.005 ~ 0.2MPa	IR3000 : 0.005 ~ 0.2MPa
	IR2010 : 0.01 ~ 0.4MPa	IR3010 : 0.01 ~ 0.4MPa
	IR2020 : 0.01 ~ 0.8MPa	IR3020 : 0.01 ~ 0.8MPa
Sensitivity	Within 0.2% of full span	
Repeatability	Within 0.5% of full span	
Air consumption	3.0 L / min(ANR) or less ... supply pressure 0.7MPa 4.0 L / min(ANR) or less ... supply pressure 1.0MPa	
Ambient and fluid temperature	- 5 to 60°C (with no freezing)	
Port size	Rc1/4	Rc1/4, 3/8, 1/2
Pressure gauge port	Rc1/8 (2 locations)	
Weight	0.30 kg	0.64 kg

How to Order

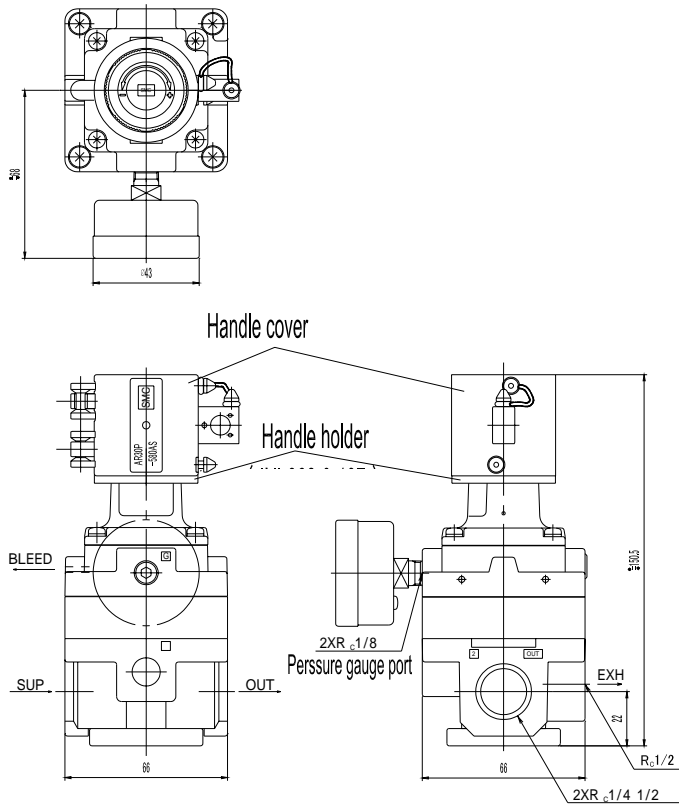


Dimensions: mm

IR20*0



IR30*0



Caution: To ensure the safest possible operation of this product, please be sure to read thoroughly the "Safety Instructions" in our "Best Pneumatics" general catalog before use.