

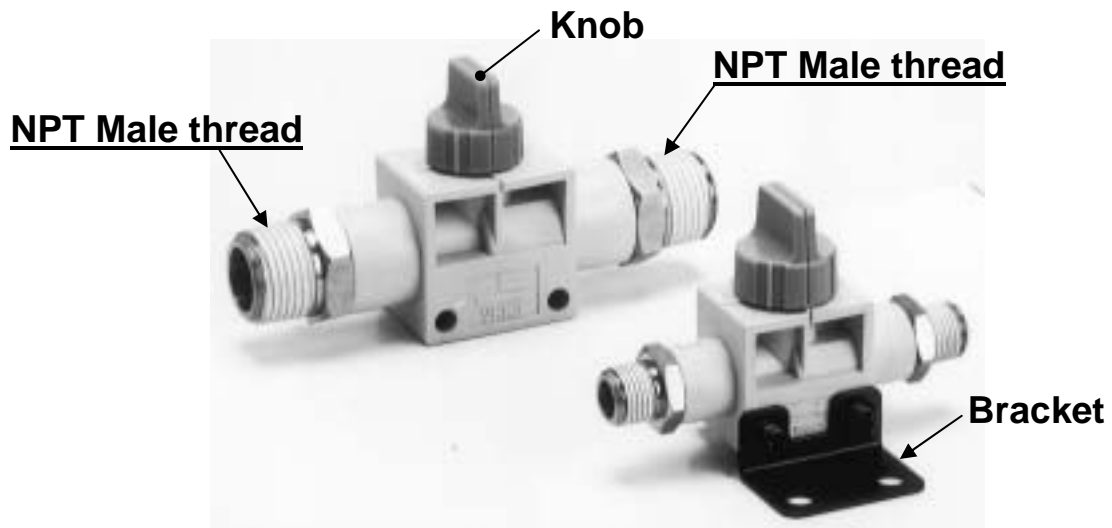
## NPT Male thread Finger Valve

VHK\*\*\*-X204、226、233

SMC CORPORATION  
1-16-4 Shimbashi, Minato-ku  
Tokyo 105-0004, JAPAN  
URL: <http://www.smcworld.com>

Feature : NPT Male thread

NPT1/8、NPT1/4、NPT3/8



## Specifications

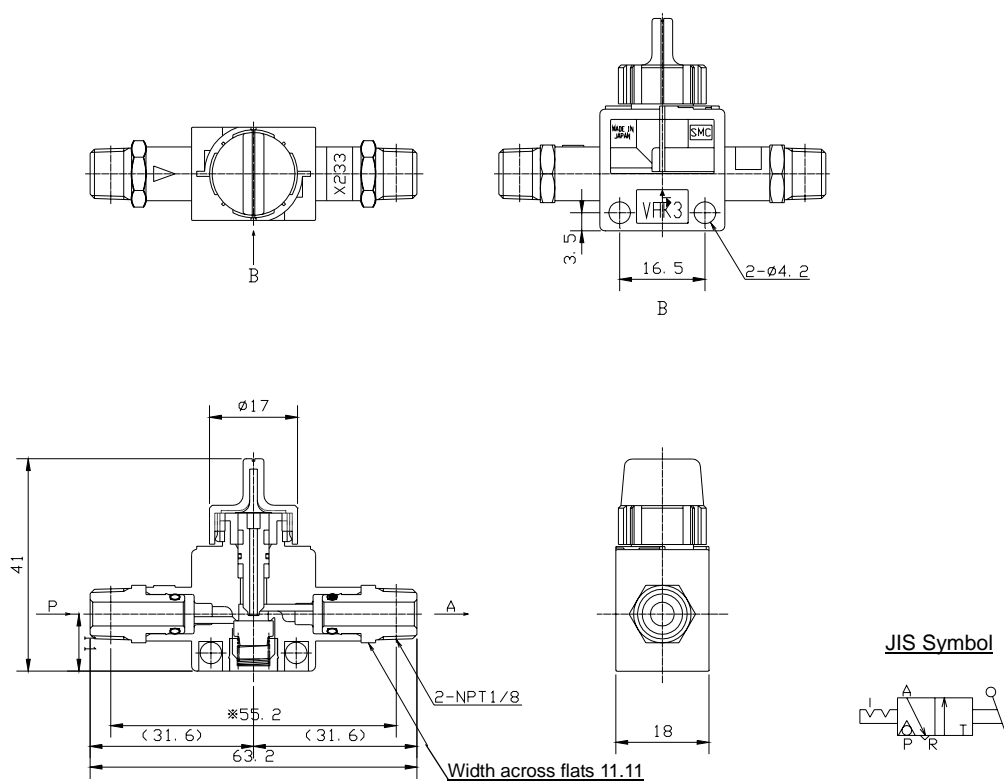
Valve	2/3 port valve
Fluid	Air
Proof pressure	1.5MPa
Maximum operating pressure	1.0MPa
Minimum operating pressure	0.1MPa
Operating vacume pressure	-100kPa (2port valve)
Ambient and fluid temperature	- 5 to 60°C (No freezing)

## How to Order

Thread	Valve model	Knob color	Bracket	Model
NPT1/8"	3ホ-ト	Blue(Standard)	-	VHK3-34S-34S-X233
		Red ( R )	-	VHK3-34S-34SR-X233
		Blue(Standard)	Addition	VHK3-34S-34SL-X233
		Red ( R )	Addition	VHK3-34S-34SRL-X233
NPT1/4"	2ホ-ト	Gray(Standard)	-	VHK2-35S-35S-X204
		Red ( R )	-	VHK2-35S-35SR-X204
NPT3/8"	2ホ-ト	Gray(Standard)		VHK2-36S-36S-X226
		Red ( R )		VHK2-36S-36SR-X226
		Gray(Standard)	Addition	VHK2-36S-36SL-X226
		Red ( R )	Addition	VHK2-36S-36SRL-X226
	3ホ-ト	Blue(Standard)	-	VHK3-36S-36S-X226
		Red ( R )	-	VHK3-36S-36SR-X226
		Blue(Standard)	Addition	VHK3-36S-36SL-X226
		Red ( R )	Addition	VHK3-36S-36SRL-X226

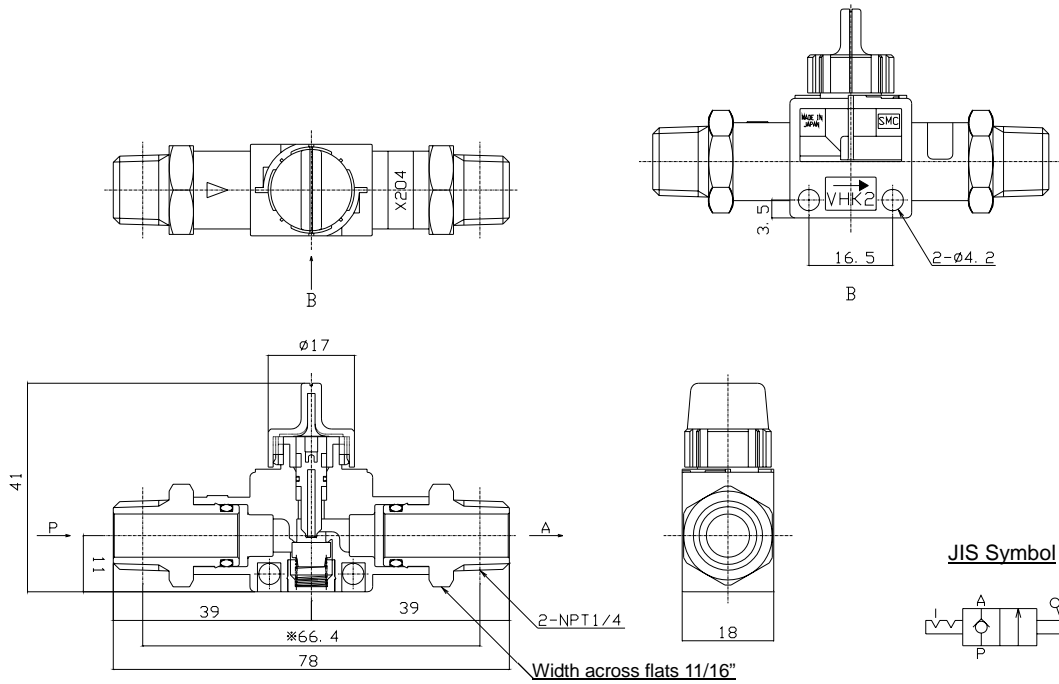
## Dimensions: mm

### VHK3-34S-34S -X233

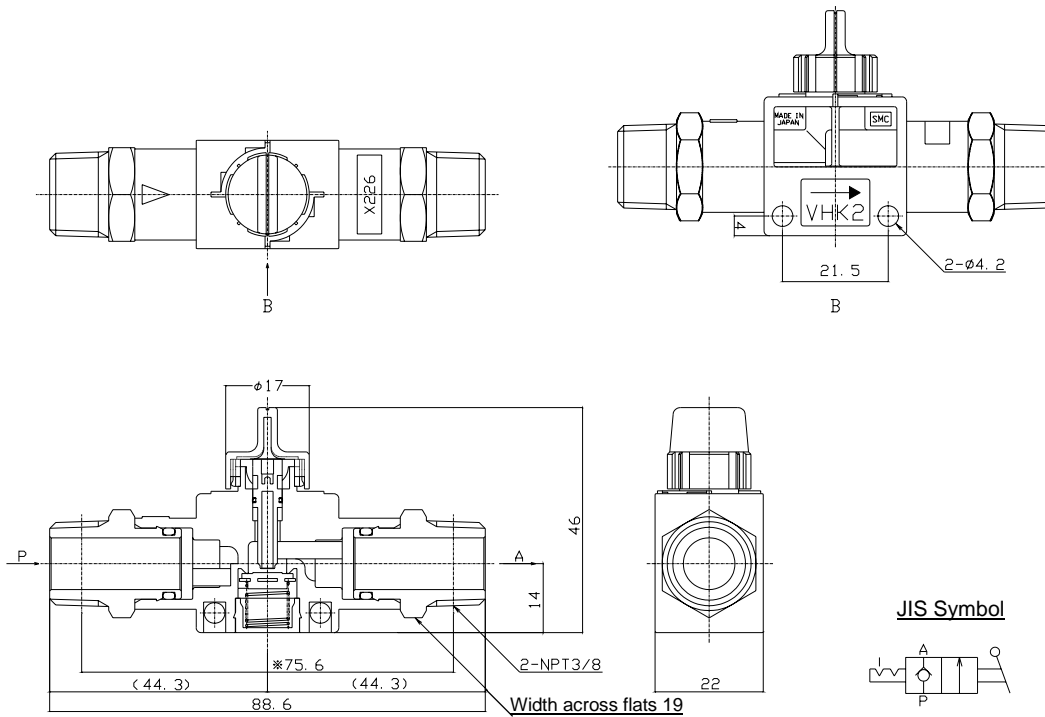


Reference dimensions after NPT thread installation.

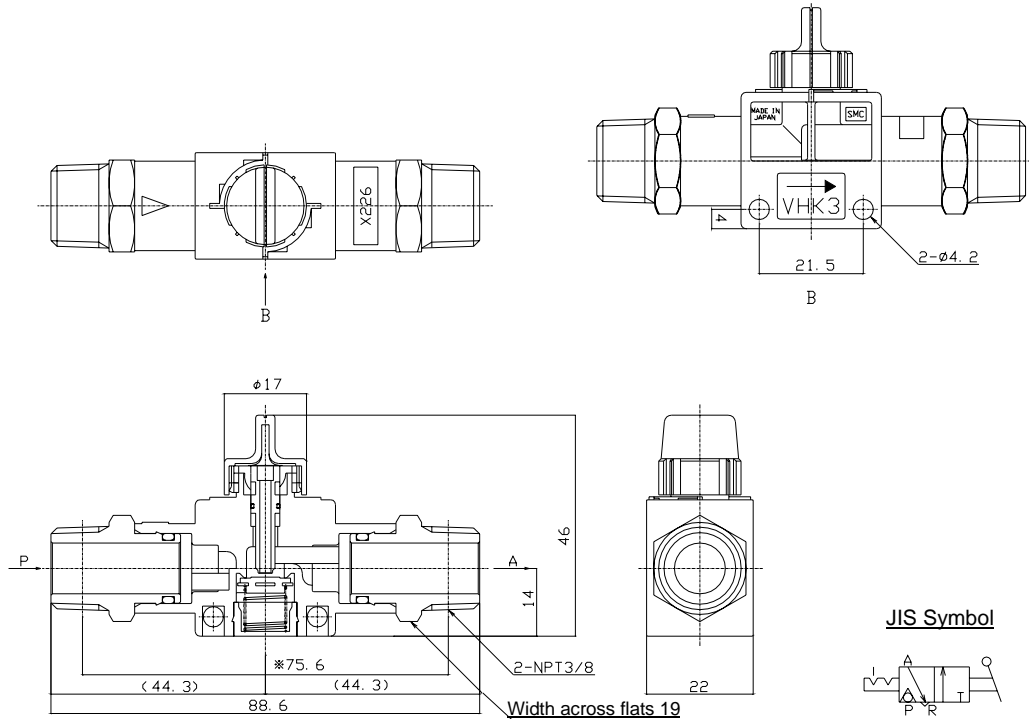
**VHK2-35S-35S -X204**



**VHK2-36S-36S -X226**



**VHK3-36S-36S -X226**



Reference dimensions after NPT thread installation.

**⚠ Caution:** To ensure the safest possible operation of this product, please be sure to read thoroughly the "Safety Instructions" in our "Best Pneumatics" general catalog before use.