

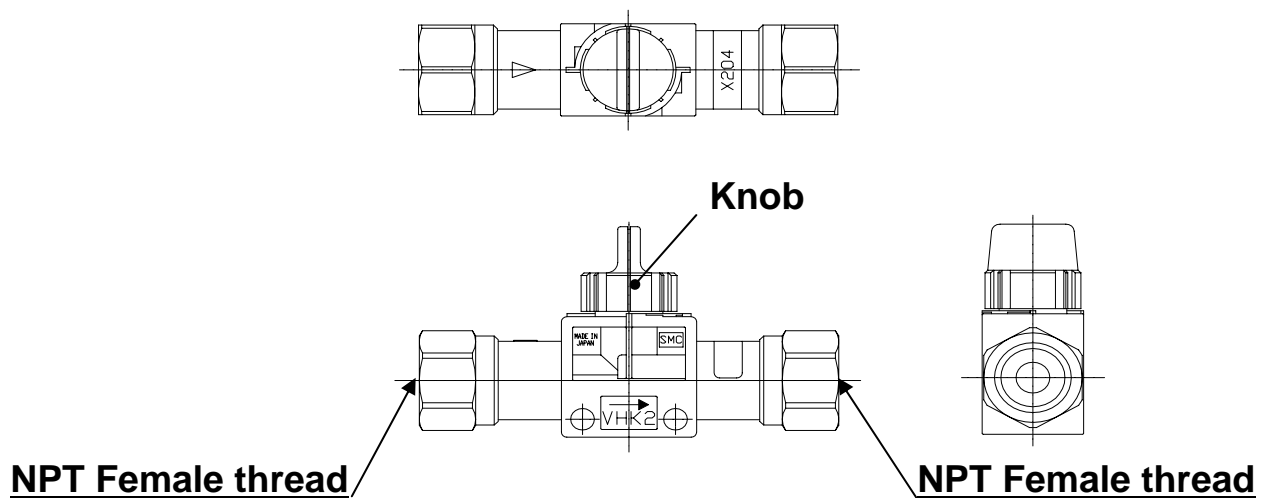
NPT Female thread Finger Valve

VHK***-X204、226

SMC CORPORATION
1-16-4 Shimbashi, Minato-ku
Tokyo 105-0004, JAPAN
URL: <http://www.smcworld.com>

Feature : NPT Female thread

NPT1/4、NPT3/8



Specifications

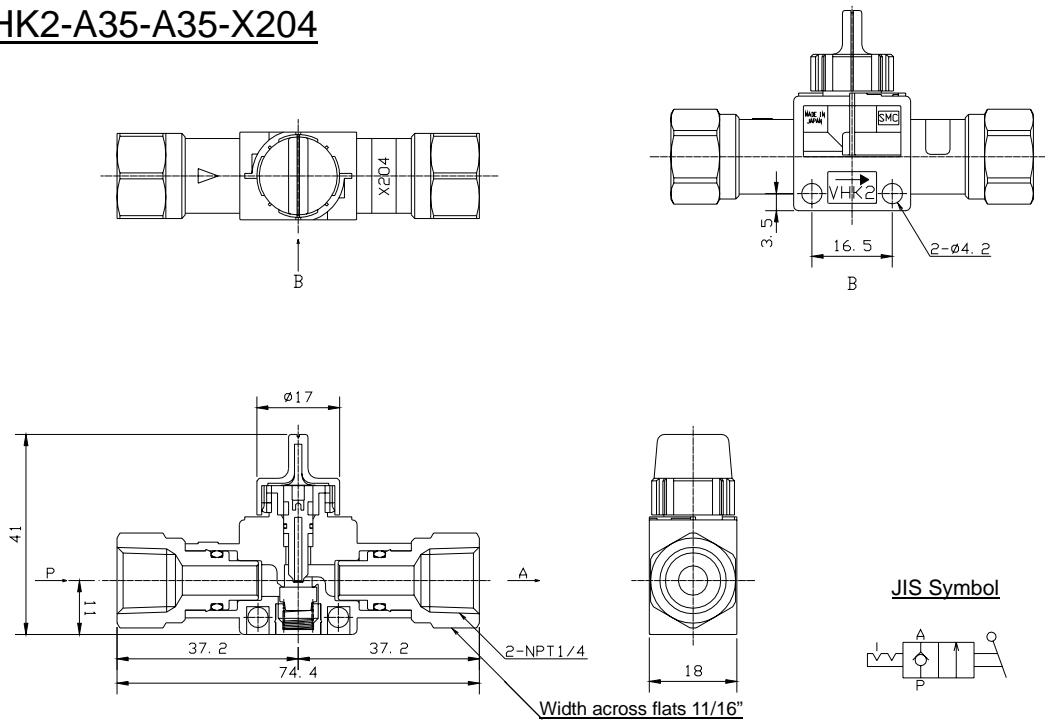
Valve	2 port valve
Fluid	Air
Proof pressure	1.5MPa
Maximum operating pressure	1.0MPa
Operating vacume pressure	-100kPa
Ambient and fluid temperature	- 5 to 60°C (No freezing)

How to Order

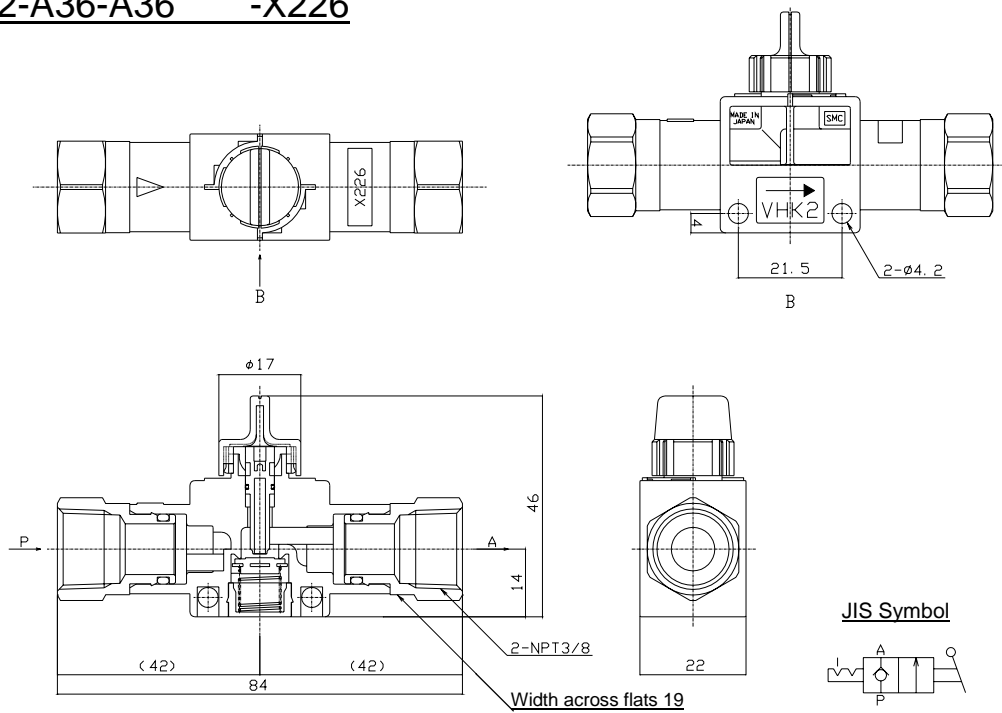
Thread	Valve model	Knob color	Bracket	Model
NPT1/4"	2 ホ - ト	Gray(Standard)	-	VHK2-A35-A35-X204
NPT3/8"	2 ホ - ト	Gray(Standard)	-	VHK2-A36-A36-X226
		Red (R)	-	VHK2-A36-A36R-X226
		Gray(Standard)	Addition	VHK2-A36-A36L-X226
		Red (R)	Addition	VHK2-A36-A36RL-X226

Dimensions: mm

VHK2-A35-A35-X204



VHK2-A36-A36 -X226



⚠ Caution: To ensure the safest possible operation of this product, please be sure to read thoroughly the "Safety Instructions" in our "Best Pneumatics" general catalog before use.