

## Heat Resistant In-line Style Speed Controller

AS3000、AS4000、AS5000-\*\*-X221

SMC CORPORATION  
1-16-4 Shimbashi, Minato-ku  
Tokyo 105-0004, JAPAN  
URL: <http://www.smcworld.com>

Feature : Heat resistant (MAX.150 )

- Seal part (Valve, O ring) quality of the material : Fluoro rubber
- Grease : Fluorine system grease



AS3000

AS4000

Comparison with standard products

Material of seal part (Valve, O ring) is changed from NBR to fluoro rubber (FKM).

Grease is changed into fluorine system grease.

## Specifications

Fluid	Air
Proof pressure	1.5MPa
Operating pressure range	0.05 to 1.0MPa
Ambient and fluid temperature	- 5 to 150°C (No freezing)
Number of needle rotations	8turns

# How to Order

AS 3 000 -   03 - X221

● Body size

3	3/8
4	1/2
5	1/2

● Port size

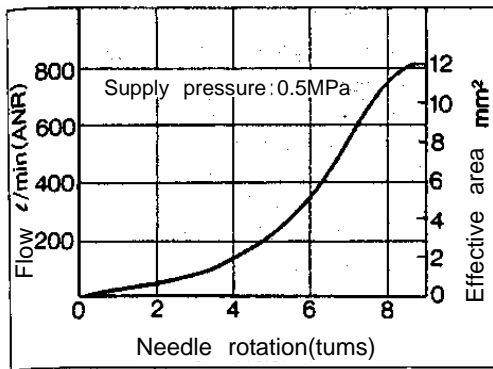
Port size		Applicable model
02	Rc1/4	AS3000, 4000, 5000
03	Rc3/8	AS3000, 4000, 5000
04	Rc1/2	AS4000, 5000

● Thread

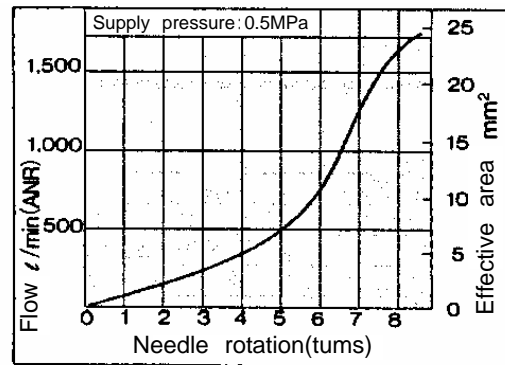
Nil	Rc
N	NPT
F	G

# Needle Valve / Flow Characteristics

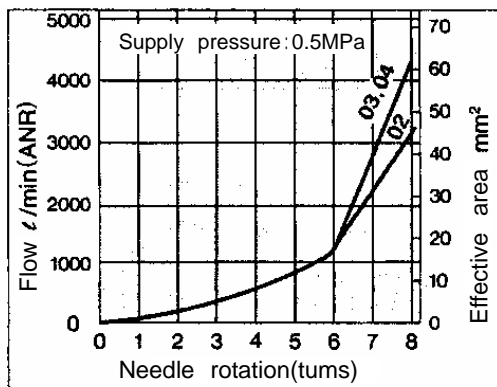
AS3000-\*\*-X221



AS4000-\*\*-X221

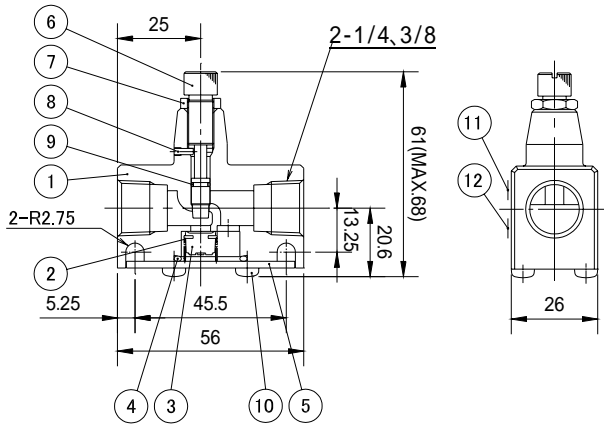


AS5000-\*\*-X221



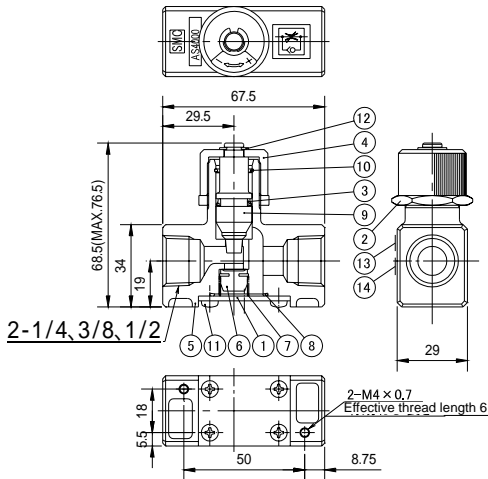
# Construction and Dimensions: mm

## AS3000-\*\*-X221



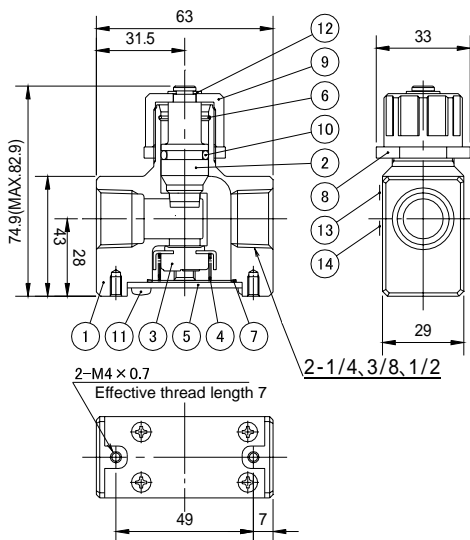
NO.	Description	Material
	Body	Aluminum alloy
	Spring	Stainless steel
	Valve	FKM
	O ring	FKM
	Cap	Rolled steel
	Need	Brass
	Lock nut	Carbon steel
	Pin	Stainless steel
	O ring	FKM
	Head cap screw	Steel
	Lab	PET
	Lab	Polyester

## AS4000-\*\*-X211



NO.	Description	Material
	Cap	Rolled steel
	Lock nut	Brass
	DY Packing	FKM
	Hand	Brass
	Body	Aluminum alloy
	Valve	FKM, Brass
	Spring	Stainless steel
	O ring	FKM
	Need	Aluminum alloy
	Ring	Steel
	Head cap screw	Steel
	E type snap ring	Stainless steel
	Lab	Polyester
	Lab	PET

## AS5000-\*\*-X211



NO.	Description	Material
	Body	Aluminum alloy
	Need	Aluminum alloy
	Valve	FKM, Stainless steel
	Spring	Stainless steel
	Cap	Rolled steel
	Ring	Stainless steel
	Packing	FKM
	Lock nut	Brass
	Hand	Brass
	O ring	FKM
	Head cap screw	Steel
	E type snap ring	Stainless steel
	Lab	Polyester
	Lab	PET



**Caution:** To ensure the safest possible operation of this product, please be sure to read thoroughly the "Safety Instructions" in our "Best Pneumatics" general catalog before use.