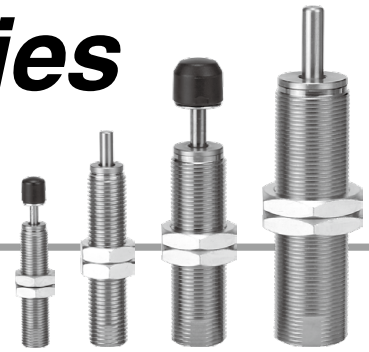


# Shock Absorber Soft Type

# 25A-RJ Series



## How to Order

**25A - RJ 0604**

**25A - RJ 0806 H U**

Series compatible with secondary batteries

Shock absorber/Soft type

O.D. thread size/Stroke

Symbol	O.D. thread	Stroke
0604	6 mm	4 mm
0806	8 mm	6 mm
1007	10 mm	7 mm
1412	14 mm	12 mm
2015	20 mm	15 mm
2725	27 mm	25 mm

Option

Symbol	Hexagon nut	Stopper nut
Nil	2 pcs.	—
J	3 pcs.	—
N	—	—
S	2 pcs.	1 pc.
SJ	3 pcs.	1 pc.
SN	—	1 pc.

With cap

Nil	Basic type
U	With urethane cap

Collision speed range

H	0.05 to 2 m/s
L	0.05 to 1 m/s

\* RJ0604: 0.05 to 1.0 m/s

\* RJ2725H: 0.05 to 1.5 m/s

## Hexagon Nut, Stopper Nut (Option) Part Nos. for the 25A- Series

		Thread size				
		M8	M10	M14	M20	M27
Hexagon nut		25-RB08J	25-RB10J	25-RB14J	25-RB20J	25-RB27J
Stopper nut	Basic type	25-RB08S	25-RB10S	25-RB14S	25-RB20S	25-RB27S
	With cap	25-RBC08S	25-RBC10S	25-RBC14S	25-RBC20S	25-RBC27S

Material: Special steel  
Treatment: Electroless nickel plating

\* The 25A- series specifications and dimensions are the same as those of the standard model.

[Click here for details.](#)

# Shock Absorber Short Stroke Type **25A-RJ Series**

## How to Order

**Short stroke type** **25A - RJ** **0805** **U**

Series compatible with secondary batteries

Shock absorber/Soft type

O.D. thread size/Stroke

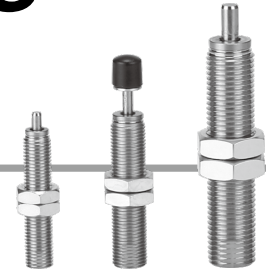
Symbol	O.D. thread	Stroke
0805	8 mm	5 mm
1006	10 mm	6 mm
1410	14 mm	10 mm

Option

Symbol	Hexagon nut	Stopper nut
Nil	2 pcs.	—
J	3 pcs.	—
N	—	—
S	2 pcs.	1 pc.
SJ	3 pcs.	1 pc.
SN	—	1 pc.

With cap

Nil	Basic type
U	With urethane cap



### Hexagon Nut, Stopper Nut (Option) Part Nos. for the 25A- Series

		Thread size		
		M8	M10	M14
Hexagon nut		25-RB08J	25-RB10J	25-RB14J
Stopper nut	Basic type	25-RB08S	25-RB10S	25-RB14S
	With cap	25-RBC08S	25-RBC10S	25-RBC14S

Material: Special steel  
Treatment: Electroless nickel plating

\* The 25A- series specifications and dimensions are the same as those of the standard model.

[Click here for details.](#)

Directional Control Valves

Air Cylinders

Related Products

Rotary Actuators

Air Grippers

Vacuum Equipment

Air Preparation Equipment

Clean Air Filters

Modular F.R.L./Pressure Control Equipment

Fittings/Flow Control Equipment

Detection Switches

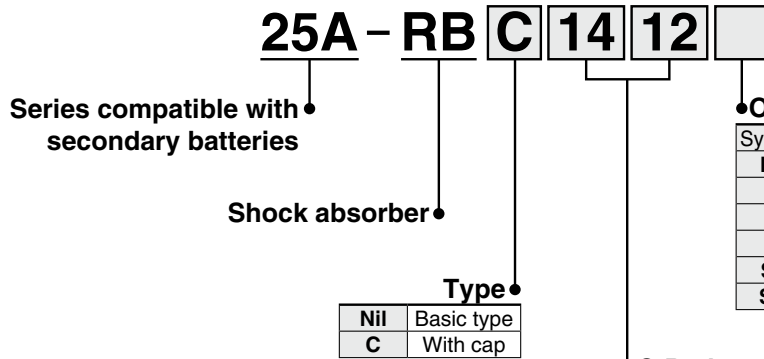
Fluid Control Equipment

Electric Actuators

Auto Switches

# Shock Absorber 25A-RB/RBC Series

## How to Order



### Option

Symbol	Hexagon nut	Stopper nut
Nil	2 pcs.	—
J	3 pcs.	—
N	—	—
S	2 pcs.	1 pc.
SJ	3 pcs.	1 pc.
SN	—	1 pc.

### O.D. thread size/Stroke

Symbol	O.D. thread size	Stroke	Symbol	O.D. thread size	Stroke
0805	8 mm	5 mm	1411	14 mm	11 mm
0806	8 mm	6 mm	1412	14 mm	12 mm
1006	10 mm	6 mm	2015	20 mm	15 mm
1007	10 mm	7 mm	2725	27 mm	25 mm

## Hexagon Nut, Stopper Nut (Option) Part Nos. for the 25A- Series

		Thread size				
		M8	M10	M14	M20	M27
Hexagon nut		25-RB08J	25-RB10J	25-RB14J	25-RB20J	25-RB27J
Stopper nut	Basic type	25-RB08S	25-RB10S	25-RB14S	25-RB20S	25-RB27S
	With cap	25-RBC08S	25-RBC10S	25-RBC14S	25-RBC20S	25-RBC27S

Material: Special steel  
Treatment: Electroless nickel plating

\* The 25A- series specifications and dimensions are the same as those of the standard model.

[Click here for details.](#)