

Rotary Table: Vane Type

25A-MSUB Series

Size: 1, 3, 7, 20

RoHS



How to Order

Without auto switch 25A-M SUB 20-90 S

With auto switch 25A-M D SUB 20-90 S-T79 L 1

Connection port location

Nil	Side ported
E	Axial ported

Available with side ported only, when equipped with auto switch unit.

Series compatible with secondary batteries

With auto switch (Built-in magnet)

Nominal size (Torque)

1	MSUB 1
3	MSUB 3
7	MSUB 7
20	MSUB20

Rotating angle

Application	Symbol	Rotating angle
Single vane	90	90°
	180	180°
Double vane	90	90°

Rotation adjustment range
 Single vane: Both ends ±5° each
 Double vane: Both ends ±2.5° each

Vane type

S	Single vane
D	Double vane

Number of auto switches

S	1*1
Nil	2*2

*1 S (1 auto switch) is shipped with a right-hand auto switch.
 *2 Nil (2 auto switches) is shipped with a right-hand and a left-hand switch.

Electrical entry/Lead wire length

Nil	Grommet/Lead wire: 0.5 m
L	Grommet/Lead wire: 3 m

Auto switch

Nil	Without auto switch (Built-in magnet)
-----	---------------------------------------

* Refer to page 209 for applicable auto switches.

- * The 25A- series specifications and dimensions are the same as those of the standard model.
- * Zinc is used in part of deep groove ball bearing.

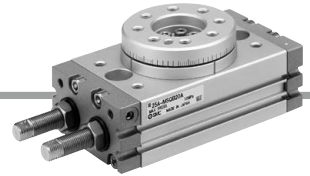
[Click here for details.](#)

Rotary Table/Rack & Pinion Type

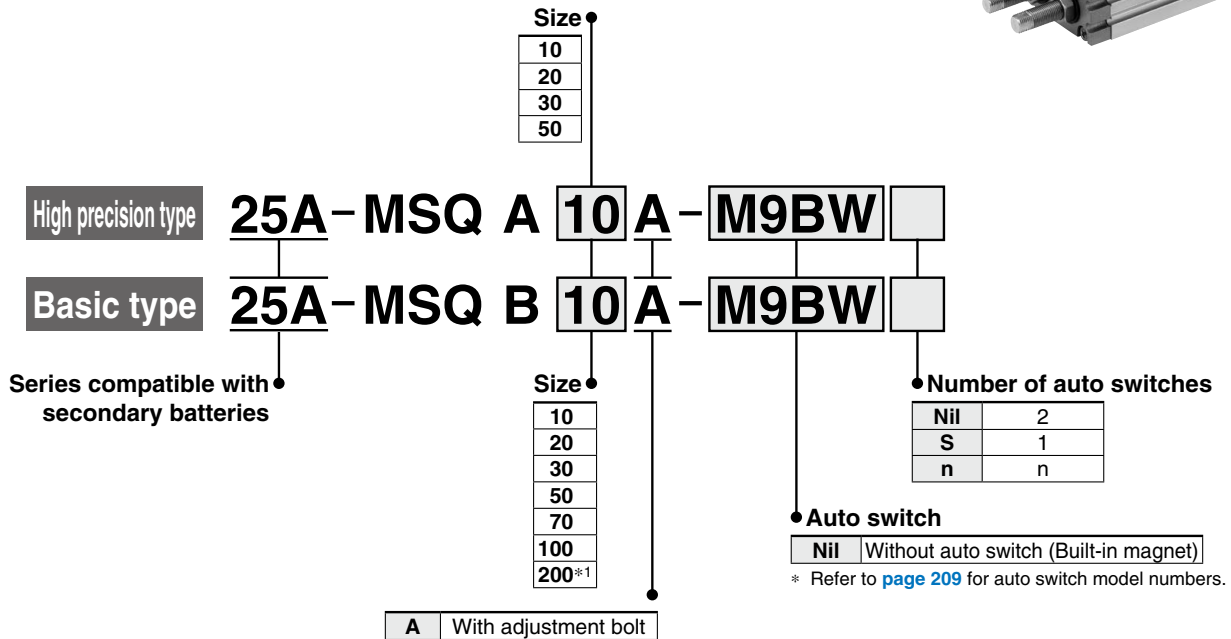
25A-MSQ Series

Size: 10, 20, 30, 50, 70, 100, 200

RoHS



How to Order

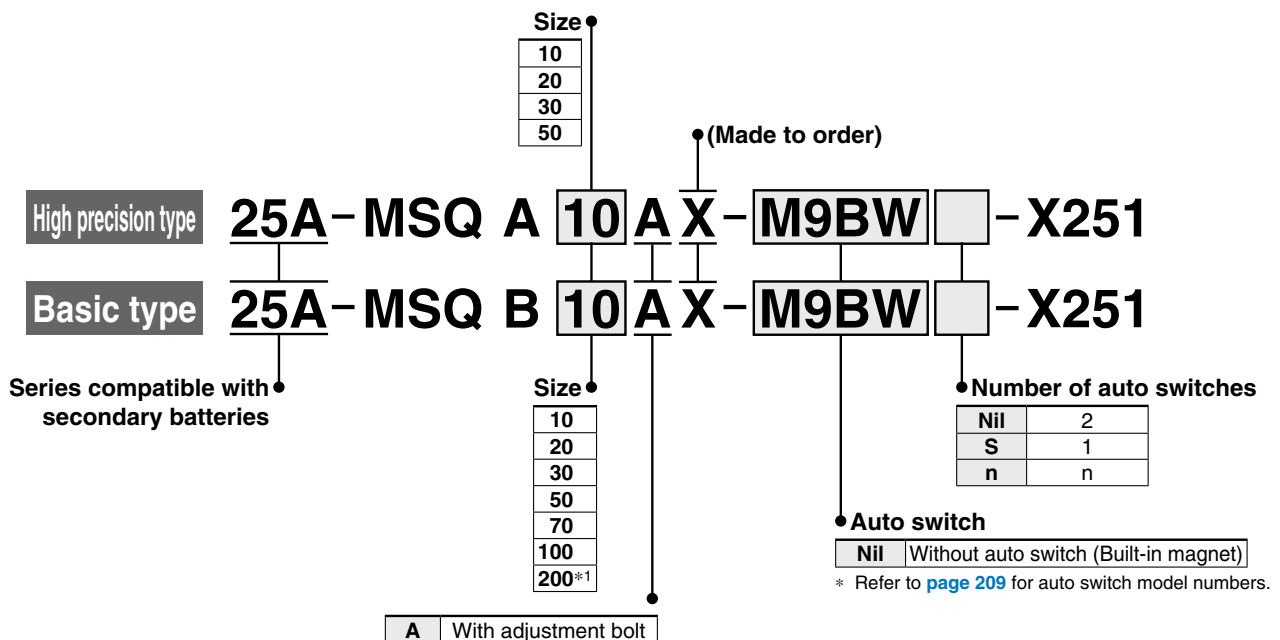


* Zinc is used in part of deep groove ball bearing and seal washer.
 * Side port cannot be used.
 *1 Size 200 are produced upon receipt of order.

* Some parts have sizes and shapes that are different from the standard products.

[Click here for details.](#)

With Vacuum Port



* Zinc is used in part of deep groove ball bearing and seal washer.
 * Side port cannot be used.
 *1 Size 200 are produced upon receipt of order.

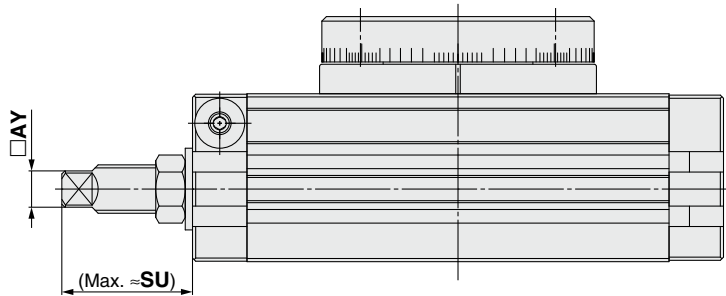
* Some parts have sizes and shapes that are different from the standard products.

[Click here for details.](#)

25A-MSQ Series

Dimensions

25A-MSQB□A

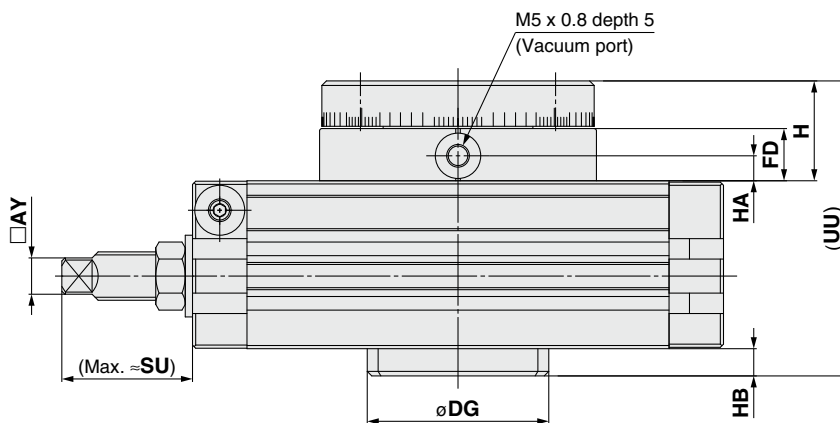


[mm]		
Size	AY	SU
10	6	23.7
20	8	33
30	8	33
50	10	42.9
70	16	44.2
100	16	44.3
200	21	52.2

* Dimensions other than those shown above are identical to the standard products.

[Click here for details.](#)

25A-MSQB□AX-X251



[mm]								
Size	AY	DG	FD	H	HA	HB	SU	UU
10	6	35h9	11.5	20	5.5	5	23.7	59
20	8	40h9	11.5	22	5.5	6	33	65
30	8	48h9	11.5	22	5.5	6	33	68
50	10	54h9	11.5	24	5.5	7	42.9	77
70	16	50h9	12	25	6	7	44.2	85
100	16	52h9	12	27	6	7	44.3	93
200	21	64h9	15	32	7.5	8	52.2	114

* The product with the vacuum port has no hollow shaft at its rotation center.
 * Dimensions other than those shown above are identical to the standard products.

[Click here for details.](#)

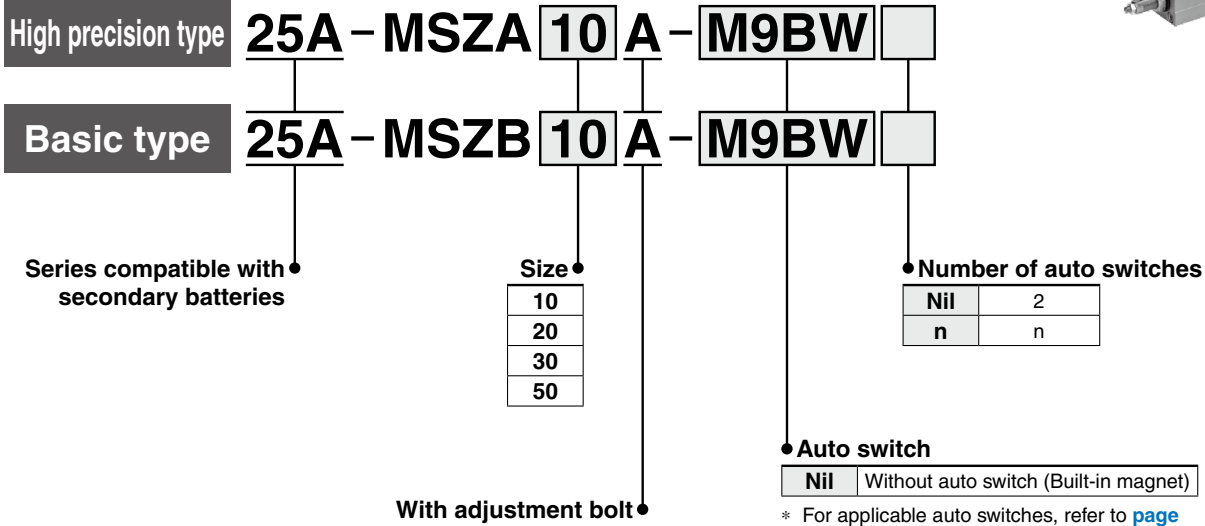
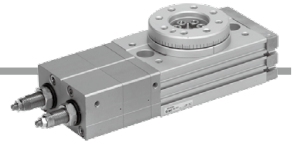
3-Position Rotary Table

25A-MSZ Series

Size: 10, 20, 30, 50



How to Order



* For applicable auto switches, refer to [page 209](#).

* The 25A- series specifications and dimensions are the same as those of the standard model.

[Click here for details.](#)

Directional Control Valves

Air Cylinders

Related Products

Rotary Actuators

Air Grippers

Vacuum Equipment

Air Preparation Equipment

Clean Air Filters

Modular F.R.L./Pressure Control Equipment

Fittings/Flow Control Equipment

Detection Switches

Fluid Control Equipment

Electric Actuators

Auto Switches