

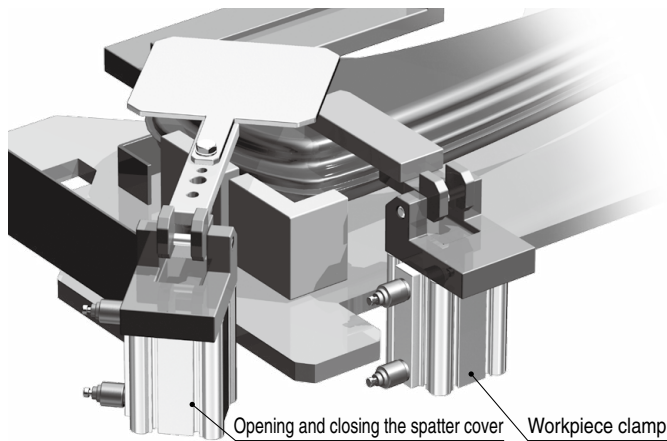
Compact Clamp Unit

CDQ2B20-DCT1710T
CDQ2B32-DCR0859R

∅20, ∅32

Space saving

Used to clamp the workpiece, and open or close the spatter cover of the workpiece.

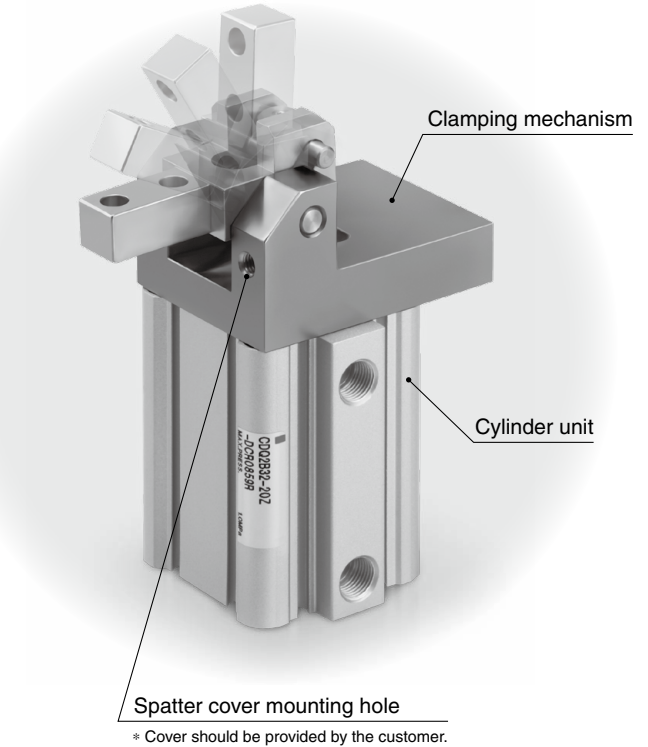


Labor reduction

Reduces design and assembly labor by integrating the cylinder and clamping mechanism.

Compact

Compact clamp unit based on the compact cylinder



Clamp unit used in common

Both ∅20 and ∅32 clamp cylinders use the same clamp unit and only the clamp unit can be replaced. This contributes to reduction of spare parts.

Possible to clamp in both directions

Capable of clamping in both directions with an arm opening/closing angle of 90° or more



Compact Clamp Unit

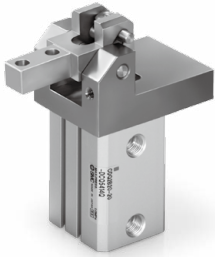
CDQ2B20-DCT1710T

CDQ2B32-DCR0859R

ø20, ø32



How to Order

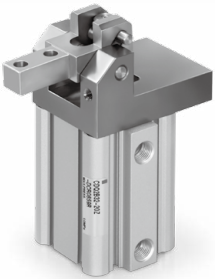


ø20 **CDQ2B20-20-DCT1710T** - **M9BW**

Built-in auto switch magnet

Bore size
20 20 mm

Compact clamp unit



ø32 **CDQ2B32-20Z-DCR0859R** - **M9BW**

Built-in auto switch magnet

Bore size
32 32 mm

Compact clamp unit

Auto switch
Nil Without auto switch

* For applicable auto switches, refer to the table below.

Specifications

Bore size	ø20	ø32
Stroke	20 mm	
Max. operating pressure	1.0 MPa	
Ambient temperature	-10°C to 60°C (No freezing)	
Cushion	Rubber bumper	
Mounting bracket	Rod flange	
Arm opening/closing angle	96° (Cylinder retracting side 5° Cylinder extending side 1°)*	

* Refer to the dimensions for details.

Clamp Unit Part No.

Clamp unit part no.	Hexagon socket head cap screw for fixing clamp unit (included)
C2Q32-42-0895R-R	M5 x 55L (For ø20)*
	M5 x 62L (For ø32)*

* Two types of hexagon socket head cap screw for fixing the unit are included. Use them in accordance with the bore size.

Applicable Auto Switches/Refer to the Web Catalog for further information on auto switches.

Type	Special function	Electrical entry	Indicator/light	Wiring (Output)	Load voltage		Auto switch model		Lead wire length (m)					Pre-wired connector	Applicable load							
					DC	AC	Perpendicular	In-line	0.5 (Nil)	1 (M)	3 (L)	5 (Z)	None (N)		IC circuit	Relay, PLC						
Solid state auto switch	—	Grommet	Yes	3-wire (NPN)	24 V	5 V, 12 V	—	M9NV	M9N	●	●	●	○	—			○	IC circuit	Relay, PLC			
				3-wire (PNP)				M9PV	M9P	●	●	●	○	—	○							
				2-wire				M9BV	M9B	●	●	●	○	—	○							
	Diagnostic indication (2-color indicator)			3-wire (NPN)				5 V, 12 V	—	M9NWV	M9NW	●	●	●	○	—	○	IC circuit				
				3-wire (PNP)						M9PWV	M9PW	●	●	●	○	—	○					
				2-wire						M9B WV	M9BW	●	●	●	○	—	○					
	Water resistant (2-color indicator)			3-wire (NPN)						5 V, 12 V	—	M9NAV	M9NA	○	○	●	○	—		○	IC circuit	
				3-wire (PNP)								M9PAV	M9PA	○	○	●	○	—		○		
				2-wire								M9BAV	M9BA	○	○	●	○	—		○		
	Magnetic field resistant (2-color indicator)			2-wire (Non-polar)								—	—	—	P3DWA *2	●	—	●		—	—	○
—		—	—	—	—	—	—							—	—							
Reed auto switch	—	Grommet	Yes	3-wire (NPN equivalent)	24 V	5 V, 12 V	100 V							A96V	A96	●	—	●	—	—	IC circuit	Relay, PLC
				2-wire										A93V *1	A93	●	●	●	●	—		
								A90V	A90					●	—	●	—	—	—	—		

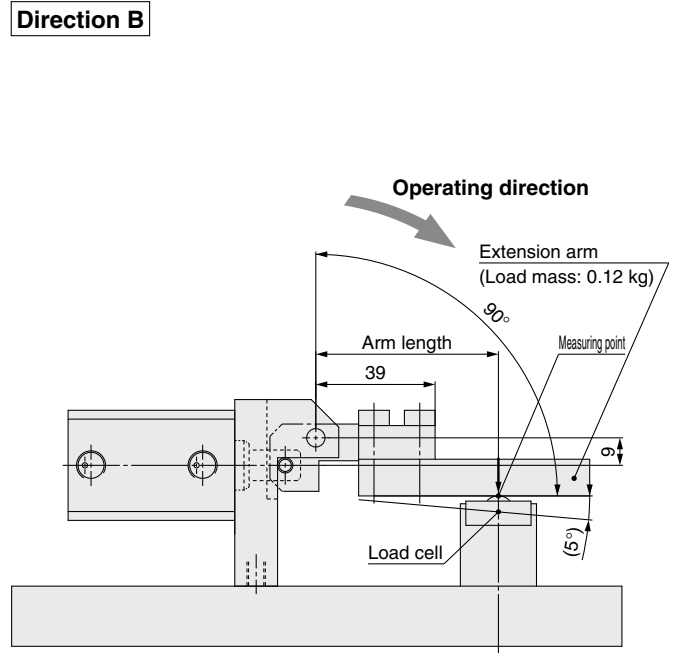
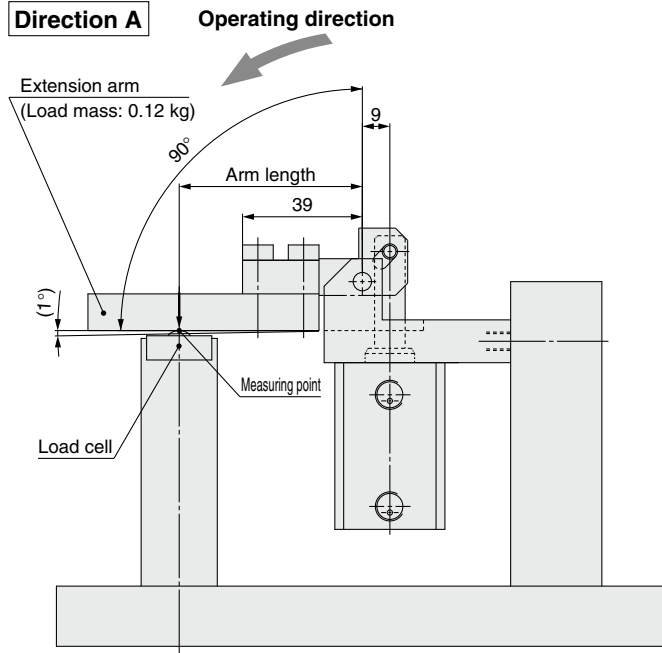
*1 The 1 m lead wire is only applicable to the D-A93.

*2 For D-P3DWA□, only ø32 is available.

* Lead wire length symbols: 0.5 m.....Nil (Example) M9NW
1 m.....M (Example) M9NWM
3 m.....L (Example) M9NWL
5 m.....Z (Example) M9NWZ

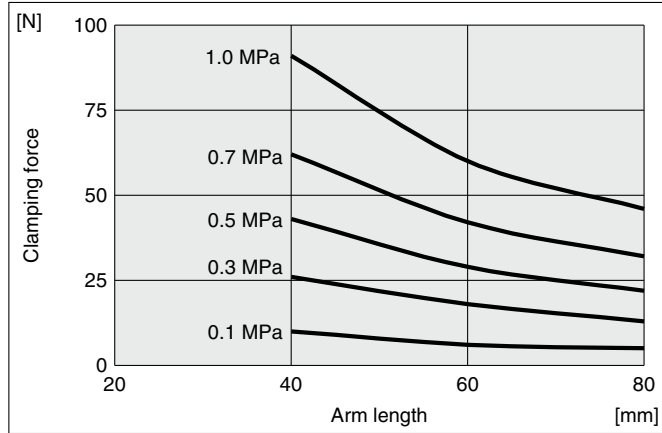
* Solid state auto switches marked with "○" are produced upon receipt of order.

Clamping Characteristics



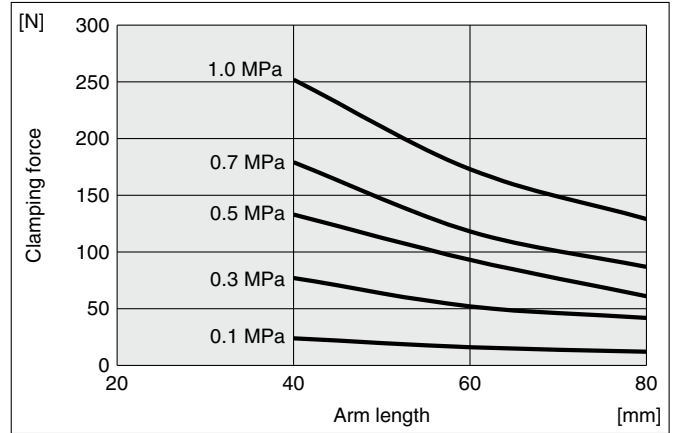
CDQ2B20-DCT1710T

Direction A

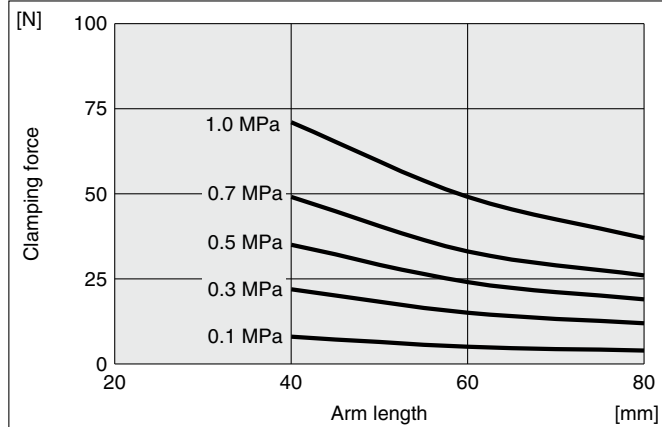


CDQ2B32-DCR0859R

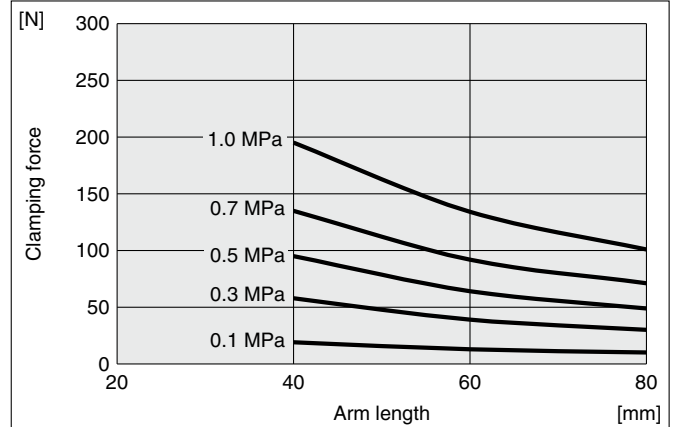
Direction A



Direction B



Direction B



Spatter Resistant Cylinders
for Arc Welding

Specialty Cylinders

Gas/Air Switching Valve

Detection Switches

Tubing

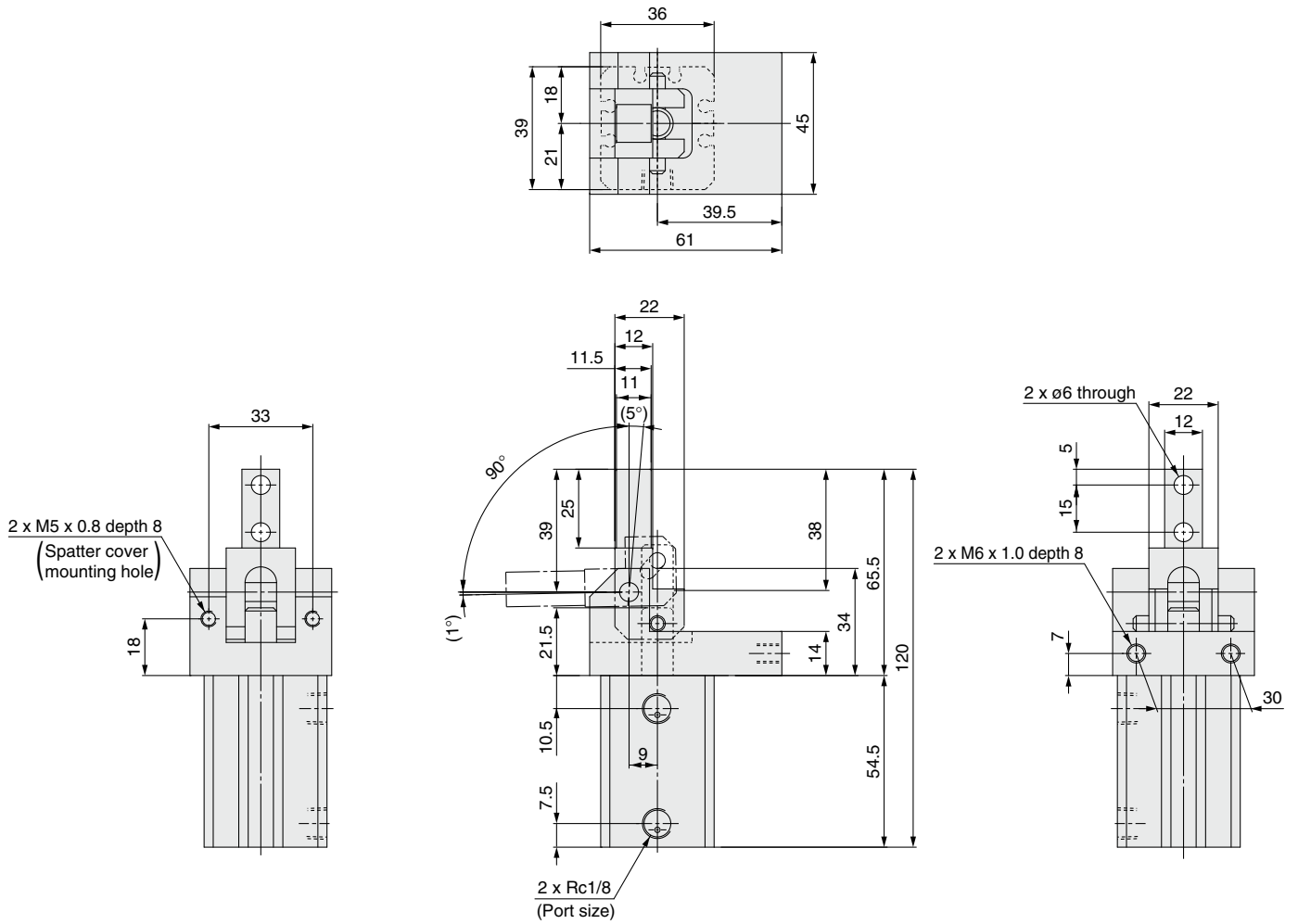
Fittings

Flow Control Equipment

CDQ2B20-DCT1710T

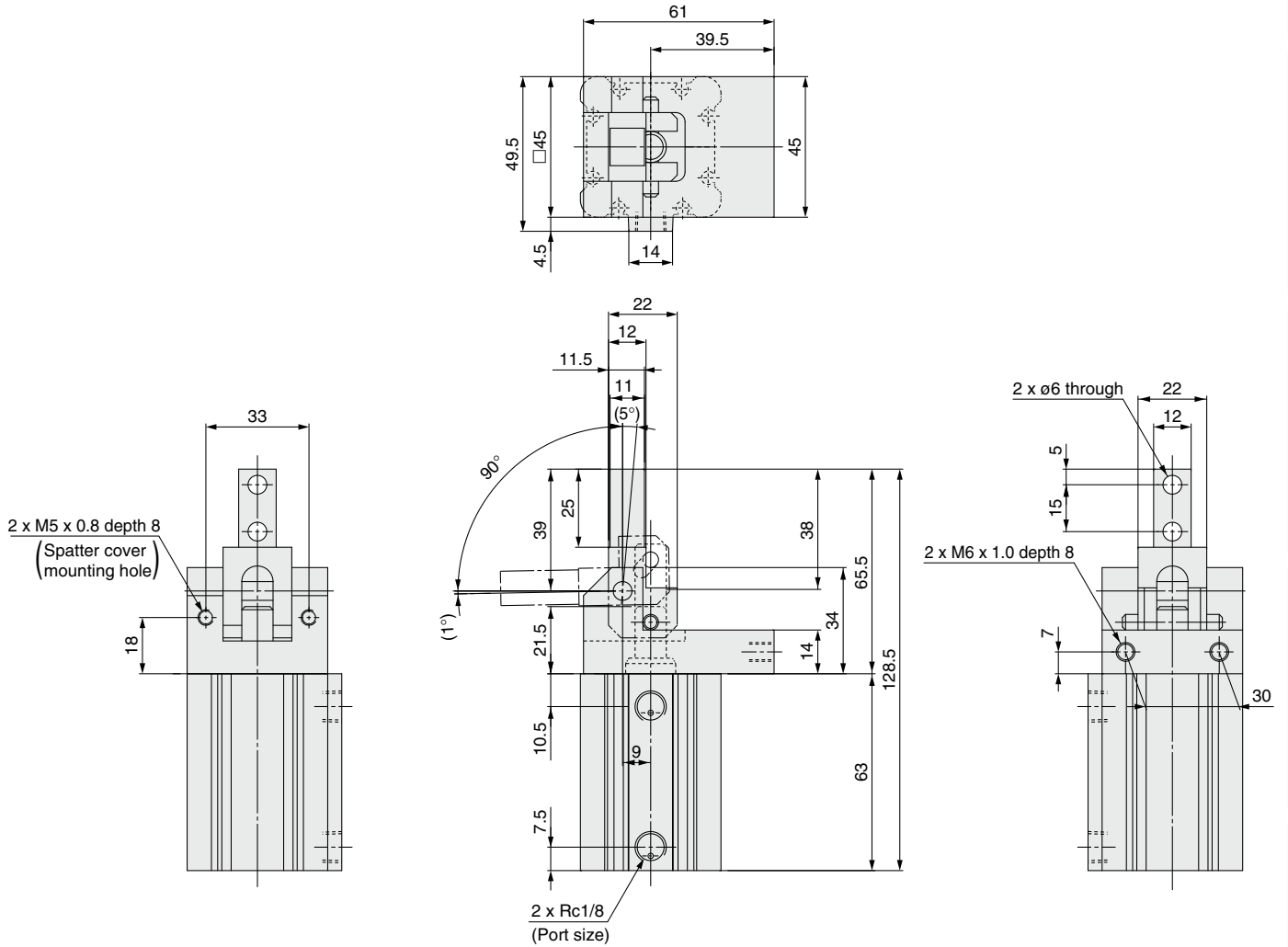
Dimensions

CDQ2B20-20-DCT1710T



Dimensions

CDQ2B32-20Z-DCR0859R



Spatter Resistant Cylinders
for Arc Welding

Specialty Cylinders

Gas/Air Switching Valve

Detection Switches

Tubing

Fittings

Flow Control Equipment