







# ZP3 Series

# Adapter Applicable Pad List

## ZP3 Series Mounting Adapter Part No.

Adapter part no.		Applicable pad part no. ZP3 Series	Page
ZP3A-T1-A3		ZP3-015U□ ZP3-02U□ ZP3-035U□	P.370
ZP3A-T1-B3		ZP3-015U□ ZP3-02U□ ZP3-035U□	P.370
ZP3A-T1-A6-B3		ZP3-015U□ ZP3-02U□ ZP3-035U□	P.370
ZP3A-T2-A5		ZP3-04UM□ ZP3-06UM□ ZP3-08UM□ ZP3-04B□ ZP3-06B□ ZP3-08B□	P.370
ZP3A-T2-B5		ZP3-04UM□ ZP3-06UM□ ZP3-08UM□ ZP3-04B□ ZP3-06B□ ZP3-08B□	P.370
ZP3A-T2-A10-B5		ZP3-04UM□ ZP3-06UM□ ZP3-08UM□ ZP3-04B□ ZP3-06B□ ZP3-08B□	P.370
ZP3A-T2-A10-04		ZP3-04UM□ ZP3-06UM□ ZP3-08UM□ ZP3-04B□ ZP3-06B□ ZP3-08B□	P.370
ZP3A-T3-A5		ZP3-10UM□ ZP3-13UM□ ZP3-16UM□ ZP3-10B□ ZP3-13B□ ZP3-16B□	P.370
ZP3A-T3-B5		ZP3-10UM□ ZP3-13UM□ ZP3-16UM□ ZP3-10B□ ZP3-13B□ ZP3-16B□	P.371

Adapter part no.		Applicable pad part no. ZP3 Series	Page
ZP3A-T3-A12-B5		ZP3-10UM□ ZP3-13UM□ ZP3-16UM□ ZP3-10B□ ZP3-13B□ ZP3-16B□	P.371
ZP3A-T3-A12-04		ZP3-10UM□ ZP3-13UM□ ZP3-16UM□ ZP3-10B□ ZP3-13B□ ZP3-16B□	P.371
ZP3A-T3-A12-06		ZP3-10UM□ ZP3-13UM□ ZP3-16UM□ ZP3-10B□ ZP3-13B□ ZP3-16B□	P.371
ZP3A-Y1-B3		ZP3-015U□ ZP3-02U□ ZP3-035U□	P.371
ZP3A-Y2-B5		ZP3-04UM□ ZP3-06UM□ ZP3-08UM□ ZP3-04B□ ZP3-06B□ ZP3-08B□	P.371
ZP3A-Y3-B5		ZP3-10UM□ ZP3-13UM□ ZP3-16UM□ ZP3-10B□ ZP3-13B□ ZP3-16B□	P.371

ZP3

ZP3E

ZP2

ZP2V

ZP

ZPT

ZPR

XT661

## Buffer Applicable Pad List

### Buffer Assembly Part No.

Buffer assembly part no.	Applicable pad part no. ZP3 Series	Page
ZP3B-T1J3-B3	ZP3-015U <input type="checkbox"/> ZP3-02U <input type="checkbox"/> ZP3-035U <input type="checkbox"/>	P.372
ZP3B-T1J6-B3	ZP3-015U <input type="checkbox"/> ZP3-02U <input type="checkbox"/> ZP3-035U <input type="checkbox"/>	P.372
ZP3B-T1K3-B3	ZP3-015U <input type="checkbox"/> ZP3-02U <input type="checkbox"/> ZP3-035U <input type="checkbox"/>	P.372
ZP3B-T1K6-B3	ZP3-015U <input type="checkbox"/> ZP3-02U <input type="checkbox"/> ZP3-035U <input type="checkbox"/>	P.372
ZP3B-T2AJ3-B5	ZP3-04UM <input type="checkbox"/> ZP3-06UM <input type="checkbox"/> ZP3-08UM <input type="checkbox"/> ZP3-04B <input type="checkbox"/> ZP3-06B <input type="checkbox"/> ZP3-08B <input type="checkbox"/>	P.372
ZP3B-T2AJ6-B5	ZP3-04UM <input type="checkbox"/> ZP3-06UM <input type="checkbox"/> ZP3-08UM <input type="checkbox"/> ZP3-04B <input type="checkbox"/> ZP3-06B <input type="checkbox"/> ZP3-08B <input type="checkbox"/>	P.372
ZP3B-T2AJ10-B5	ZP3-04UM <input type="checkbox"/> ZP3-06UM <input type="checkbox"/> ZP3-08UM <input type="checkbox"/> ZP3-04B <input type="checkbox"/> ZP3-06B <input type="checkbox"/> ZP3-08B <input type="checkbox"/>	P.372

Buffer assembly part no.	Applicable pad part no. ZP3 Series	Page
ZP3B-T2AK3-B5	ZP3-04UM <input type="checkbox"/> ZP3-06UM <input type="checkbox"/> ZP3-08UM <input type="checkbox"/> ZP3-04B <input type="checkbox"/> ZP3-06B <input type="checkbox"/> ZP3-08B <input type="checkbox"/>	P.372
ZP3B-T2AK6-B5	ZP3-04UM <input type="checkbox"/> ZP3-06UM <input type="checkbox"/> ZP3-08UM <input type="checkbox"/> ZP3-04B <input type="checkbox"/> ZP3-06B <input type="checkbox"/> ZP3-08B <input type="checkbox"/>	P.372
ZP3B-T2AK10-B5	ZP3-04UM <input type="checkbox"/> ZP3-06UM <input type="checkbox"/> ZP3-08UM <input type="checkbox"/> ZP3-04B <input type="checkbox"/> ZP3-06B <input type="checkbox"/> ZP3-08B <input type="checkbox"/>	P.372
ZP3B-T2AJB15-B5	ZP3-04UM <input type="checkbox"/> ZP3-06UM <input type="checkbox"/> ZP3-08UM <input type="checkbox"/> ZP3-04B <input type="checkbox"/> ZP3-06B <input type="checkbox"/> ZP3-08B <input type="checkbox"/>	P.372
ZP3B-T2AJB20-B5	ZP3-04UM <input type="checkbox"/> ZP3-06UM <input type="checkbox"/> ZP3-08UM <input type="checkbox"/> ZP3-04B <input type="checkbox"/> ZP3-06B <input type="checkbox"/> ZP3-08B <input type="checkbox"/>	P.372
ZP3B-T2AK15-B5	ZP3-04UM <input type="checkbox"/> ZP3-06UM <input type="checkbox"/> ZP3-08UM <input type="checkbox"/> ZP3-04B <input type="checkbox"/> ZP3-06B <input type="checkbox"/> ZP3-08B <input type="checkbox"/>	P.372
ZP3B-T2AK20-B5	ZP3-04UM <input type="checkbox"/> ZP3-06UM <input type="checkbox"/> ZP3-08UM <input type="checkbox"/> ZP3-04B <input type="checkbox"/> ZP3-06B <input type="checkbox"/> ZP3-08B <input type="checkbox"/>	P.372

**Buffer Assembly Part No.**

Buffer assembly part no.	Applicable pad part no. ZP3 Series	Page
ZP3B-T2BJ3-B5	ZP3-10UM <input type="checkbox"/> ZP3-13UM <input type="checkbox"/> ZP3-16UM <input type="checkbox"/> ZP3-10B <input type="checkbox"/> ZP3-13B <input type="checkbox"/> ZP3-16B <input type="checkbox"/>	P.373
ZP3B-T2BJ6-B5	ZP3-10UM <input type="checkbox"/> ZP3-13UM <input type="checkbox"/> ZP3-16UM <input type="checkbox"/> ZP3-10B <input type="checkbox"/> ZP3-13B <input type="checkbox"/> ZP3-16B <input type="checkbox"/>	P.373
ZP3B-T2BJ10-B5	ZP3-10UM <input type="checkbox"/> ZP3-13UM <input type="checkbox"/> ZP3-16UM <input type="checkbox"/> ZP3-10B <input type="checkbox"/> ZP3-13B <input type="checkbox"/> ZP3-16B <input type="checkbox"/>	P.373
ZP3B-T2BK3-B5	ZP3-10UM <input type="checkbox"/> ZP3-13UM <input type="checkbox"/> ZP3-16UM <input type="checkbox"/> ZP3-10B <input type="checkbox"/> ZP3-13B <input type="checkbox"/> ZP3-16B <input type="checkbox"/>	P.373
ZP3B-T2BK6-B5	ZP3-10UM <input type="checkbox"/> ZP3-13UM <input type="checkbox"/> ZP3-16UM <input type="checkbox"/> ZP3-10B <input type="checkbox"/> ZP3-13B <input type="checkbox"/> ZP3-16B <input type="checkbox"/>	P.373
ZP3B-T2BK10-B5	ZP3-10UM <input type="checkbox"/> ZP3-13UM <input type="checkbox"/> ZP3-16UM <input type="checkbox"/> ZP3-10B <input type="checkbox"/> ZP3-13B <input type="checkbox"/> ZP3-16B <input type="checkbox"/>	P.373
ZP3B-T2BJB15-B5	ZP3-10UM <input type="checkbox"/> ZP3-13UM <input type="checkbox"/> ZP3-16UM <input type="checkbox"/> ZP3-10B <input type="checkbox"/> ZP3-13B <input type="checkbox"/> ZP3-16B <input type="checkbox"/>	P.373
ZP3B-T2BJB20-B5	ZP3-10UM <input type="checkbox"/> ZP3-13UM <input type="checkbox"/> ZP3-16UM <input type="checkbox"/> ZP3-10B <input type="checkbox"/> ZP3-13B <input type="checkbox"/> ZP3-16B <input type="checkbox"/>	P.373

Buffer assembly part no.	Applicable pad part no. ZP3 Series	Page
ZP3B-T2BK15-B5	ZP3-10UM <input type="checkbox"/> ZP3-13UM <input type="checkbox"/> ZP3-16UM <input type="checkbox"/> ZP3-10B <input type="checkbox"/> ZP3-13B <input type="checkbox"/> ZP3-16B <input type="checkbox"/>	P.373
ZP3B-T2BK20-B5	ZP3-10UM <input type="checkbox"/> ZP3-13UM <input type="checkbox"/> ZP3-16UM <input type="checkbox"/> ZP3-10B <input type="checkbox"/> ZP3-13B <input type="checkbox"/> ZP3-16B <input type="checkbox"/>	P.373
ZP3B-Y1J3-B3	ZP3-015U <input type="checkbox"/> ZP3-02U <input type="checkbox"/> ZP3-035U <input type="checkbox"/>	P.374
ZP3B-Y1J6-B3	ZP3-015U <input type="checkbox"/> ZP3-02U <input type="checkbox"/> ZP3-035U <input type="checkbox"/>	P.374
ZP3B-Y1K3-B3	ZP3-015U <input type="checkbox"/> ZP3-02U <input type="checkbox"/> ZP3-035U <input type="checkbox"/>	P.374
ZP3B-Y1K6-B3	ZP3-015U <input type="checkbox"/> ZP3-02U <input type="checkbox"/> ZP3-035U <input type="checkbox"/>	P.374

**ZP3**

ZPE

**ZP2**

ZP2V

**ZP**

ZPT



ZPR

XT661



# ZP3 Series


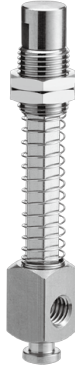
## Buffer Assembly Part No.

Buffer assembly part no.	Applicable pad part no. ZP3 Series	Page	
ZP3B-Y2AJ3-B5		P.374	
ZP3B-Y2AJ6-B5			P.374
ZP3B-Y2AJ10-B5			
ZP3B-Y2AK3-B5		P.374	
ZP3B-Y2AK6-B5			P.374
ZP3B-Y2AK10-B5			

Buffer assembly part no.	Applicable pad part no. ZP3 Series	Page
ZP3B-Y2AJB15-B5		P.374
ZP3B-Y2AJB20-B5		
ZP3B-Y2AK15-B5		P.374
ZP3B-Y2AK20-B5		

**Buffer Assembly Part No.**

Buffer assembly part no.		Applicable pad part no. ZP3 Series	Page
ZP3B-Y2BJ3-B5		ZP3-10UM <input type="checkbox"/> ZP3-13UM <input type="checkbox"/> ZP3-16UM <input type="checkbox"/> ZP3-10B <input type="checkbox"/> ZP3-13B <input type="checkbox"/> ZP3-16B <input type="checkbox"/>	P.375
ZP3B-Y2BJ6-B5		ZP3-10UM <input type="checkbox"/> ZP3-13UM <input type="checkbox"/> ZP3-16UM <input type="checkbox"/> ZP3-10B <input type="checkbox"/> ZP3-13B <input type="checkbox"/> ZP3-16B <input type="checkbox"/>	P.375
ZP3B-Y2BJ10-B5		ZP3-10UM <input type="checkbox"/> ZP3-13UM <input type="checkbox"/> ZP3-16UM <input type="checkbox"/> ZP3-10B <input type="checkbox"/> ZP3-13B <input type="checkbox"/> ZP3-16B <input type="checkbox"/>	P.375
ZP3B-Y2BK3-B5		ZP3-10UM <input type="checkbox"/> ZP3-13UM <input type="checkbox"/> ZP3-16UM <input type="checkbox"/> ZP3-10B <input type="checkbox"/> ZP3-13B <input type="checkbox"/> ZP3-16B <input type="checkbox"/>	P.375
ZP3B-Y2BK6-B5		ZP3-10UM <input type="checkbox"/> ZP3-13UM <input type="checkbox"/> ZP3-16UM <input type="checkbox"/> ZP3-10B <input type="checkbox"/> ZP3-13B <input type="checkbox"/> ZP3-16B <input type="checkbox"/>	P.375
ZP3B-Y2BK10-B5		ZP3-10UM <input type="checkbox"/> ZP3-13UM <input type="checkbox"/> ZP3-16UM <input type="checkbox"/> ZP3-10B <input type="checkbox"/> ZP3-13B <input type="checkbox"/> ZP3-16B <input type="checkbox"/>	P.375

Buffer assembly part no.		Applicable pad part no. ZP3 Series	Page
ZP3B-Y2BJB15-B5		ZP3-10UM <input type="checkbox"/> ZP3-13UM <input type="checkbox"/> ZP3-16UM <input type="checkbox"/> ZP3-10B <input type="checkbox"/> ZP3-13B <input type="checkbox"/> ZP3-16B <input type="checkbox"/>	P.375
ZP3B-Y2BJB20-B5		ZP3-10UM <input type="checkbox"/> ZP3-13UM <input type="checkbox"/> ZP3-16UM <input type="checkbox"/> ZP3-10B <input type="checkbox"/> ZP3-13B <input type="checkbox"/> ZP3-16B <input type="checkbox"/>	P.375
ZP3B-Y2BK15-B5		ZP3-10UM <input type="checkbox"/> ZP3-13UM <input type="checkbox"/> ZP3-16UM <input type="checkbox"/> ZP3-10B <input type="checkbox"/> ZP3-13B <input type="checkbox"/> ZP3-16B <input type="checkbox"/>	P.375
ZP3B-Y2BK20-B5		ZP3-10UM <input type="checkbox"/> ZP3-13UM <input type="checkbox"/> ZP3-16UM <input type="checkbox"/> ZP3-10B <input type="checkbox"/> ZP3-13B <input type="checkbox"/> ZP3-16B <input type="checkbox"/>	P.375

- ZP3**
- ZP2E
- ZP2
- ZP2V
- ZP
- ZPT
- ZPR
- XT661

# ZP3 Series

# Mounting Adapter Part No.

Vacuum Inlet Direction **Vertical**

Adapter part no.	<b>ZP3A-T1-A3</b> [Weight: 0.5 g]
------------------	-----------------------------------

Width across flat 5

M3 x 0.5

Gasket

5

1.5

0.14

0.8

1.5

0.2

2.5

2.5

2.5

2.5

0.2

Applicable pad part no.

- ZP3-015U
- ZP3-02U
- ZP3-035U

Adapter part no.	<b>ZP3A-T2-B5</b> [Weight: 2.0 g]
------------------	-----------------------------------

Width across flat 7

M5 x 0.8

7.5

5

3.5

1.4

1.8

3

5

5

Applicable pad part no.

- ZP3-04UM
- ZP3-06UM
- ZP3-08UM
- ZP3-04B
- ZP3-06B
- ZP3-08B

Adapter part no.	<b>ZP3A-T1-B3</b> [Weight: 0.8 g]
------------------	-----------------------------------

M3 x 0.5

Width across flat 5

5.5

3.5

1.5

0.4

0.8

1.5

0.2

Applicable pad part no.

- ZP3-015U
- ZP3-02U
- ZP3-035U

Adapter part no.	<b>ZP3A-T2-A10-B5</b> [Weight: 10.7 g]
------------------	--

Width across flat 14

M5 x 0.8

M10 x 1

14

12

5

3.5

2

1.4

1.8

3

5

5

8

Applicable pad part no.

- ZP3-04UM
- ZP3-06UM
- ZP3-08UM
- ZP3-04B
- ZP3-06B
- ZP3-08B

Adapter part no.	<b>ZP3A-T1-A6-B3</b> [Weight: 2.7 g]
------------------	--------------------------------------

M3 x 0.5

Width across flat 8

M6 x 0.75

12

10

2.2

3.5

2

2

5

0.8

1.5

0.2

Applicable pad part no.

- ZP3-015U
- ZP3-02U
- ZP3-035U

Adapter part no.	<b>ZP3A-T2-A10-04</b> [Weight: 9.9 g]
------------------	---------------------------------------

Width across flat 14

Applicable tubing: 04

17

12

3

3.5

2

1.4

1.8

3

5

5

8

Applicable pad part no.

- ZP3-04UM
- ZP3-06UM
- ZP3-08UM
- ZP3-04B
- ZP3-06B
- ZP3-08B

Adapter part no.	<b>ZP3A-T2-A5</b> [Weight: 1.4 g]
------------------	-----------------------------------

Width across flat 7

M5 x 0.8

Gasket

5.5

3.5

3

1.4

1.8

3

5

5

Applicable pad part no.

- ZP3-04UM
- ZP3-06UM
- ZP3-08UM
- ZP3-04B
- ZP3-06B
- ZP3-08B

Adapter part no.	<b>ZP3A-T3-A5</b> [Weight: 2.4 g]
------------------	-----------------------------------

Width across flat 10

M5 x 0.8

Gasket

5.5

3.5

3

4

1.8

1.8

3

5

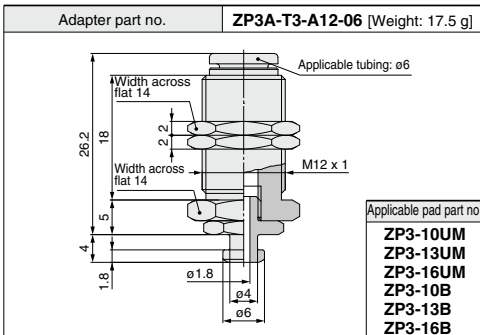
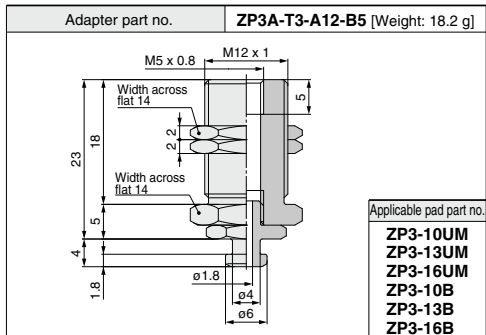
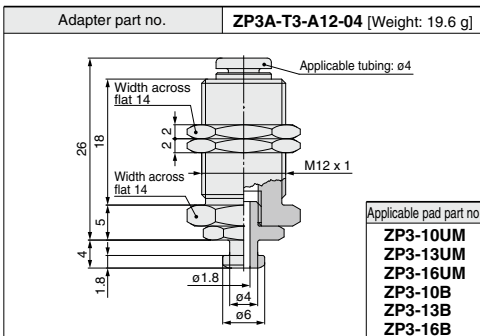
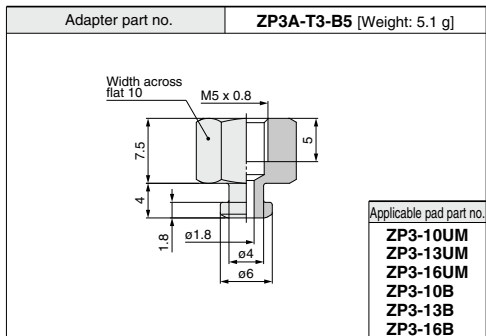
5

6

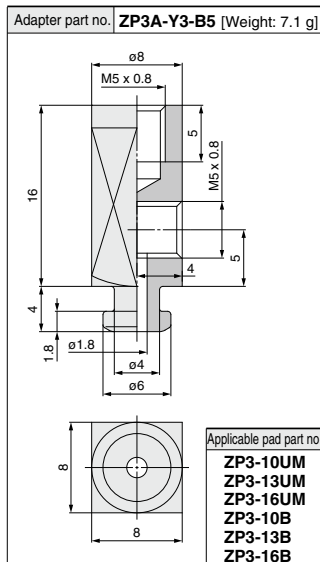
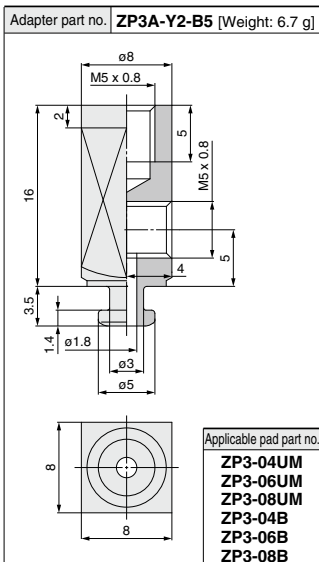
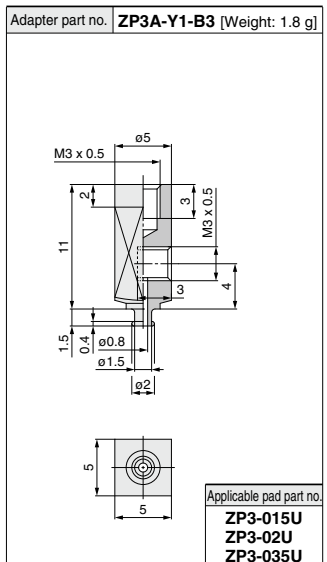
Applicable pad part no.

- ZP3-10UM
- ZP3-13UM
- ZP3-16UM
- ZP3-10B
- ZP3-13B
- ZP3-16B

Vacuum Inlet Direction **Vertical**



Vacuum Inlet Direction **Lateral**

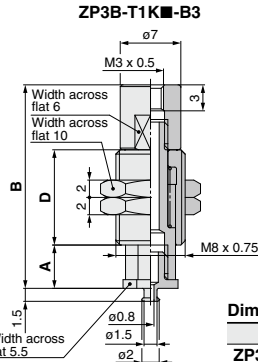
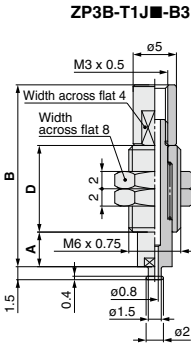


- ZP3**
- ZP3E**
- ZP2**
- ZP2V**
- ZP**
- ZPT**
- ZPR**
- XT661**

# Buffer Assembly Part No.

Vacuum Inlet Direction **Vertical**

Buffer assembly part no.	Weight(g)
ZP3B-T1J3-B3	3.5
ZP3B-T1J6-B3	4.3
ZP3B-T1K3-B3	6.7
ZP3B-T1K6-B3	8.1



Applicable pad part no.
ZP3-015U
ZP3-02U
ZP3-035U

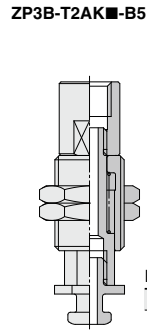
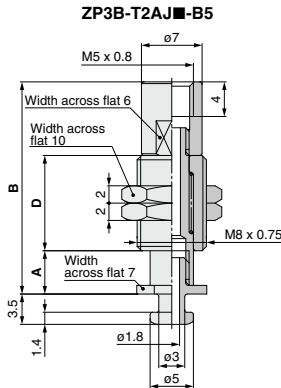
**Dimensions (per stroke)**

Model	A	B	D
ZP3B-T1J3-B3	4	21	10
ZP3B-T1J6-B3	7	28	14

**Dimensions (per stroke)**

Model	A	B	D
ZP3B-T1K3-B3	5	23.5	11
ZP3B-T1K6-B3	8	30	14.5

Buffer assembly part no.	Weight(g)
ZP3B-T2AJ3-B5	7.1
ZP3B-T2AJ6-B5	8.3
ZP3B-T2AJ10-B5	10.2
ZP3B-T2AK3-B5	7.0
ZP3B-T2AK6-B5	8.3
ZP3B-T2AK10-B5	10.2



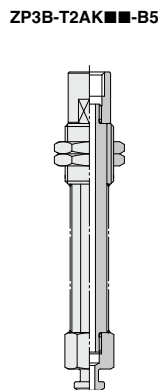
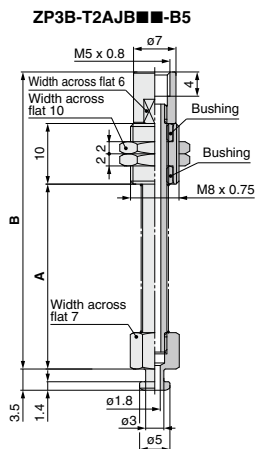
Applicable pad part no.
ZP3-04UM
ZP3-06UM
ZP3-08UM
ZP3-04B
ZP3-06B
ZP3-08B

**Dimensions (per stroke)**

Model	A	B	D
ZP3B-T2A☆3-B5	5	24.5	11
ZP3B-T2A☆6-B5	8	31	14.5
ZP3B-T2A☆10-B5	12	41	20.5

Note) The symbol "☆" indicates buffer type "J" or "K".

Buffer assembly part no.	Weight(g)
ZP3B-T2AJB15-B5	10.0
ZP3B-T2AJB20-B5	10.6
ZP3B-T2AK15-B5	12.0
ZP3B-T2AK20-B5	13.1



Applicable pad part no.
ZP3-04UM
ZP3-06UM
ZP3-08UM
ZP3-04B
ZP3-06B
ZP3-08B

**Dimensions (per stroke)**

Model	A	B
ZP3B-T2A☆15-B5	30.5	49
ZP3B-T2A☆20-B5	38	56.5

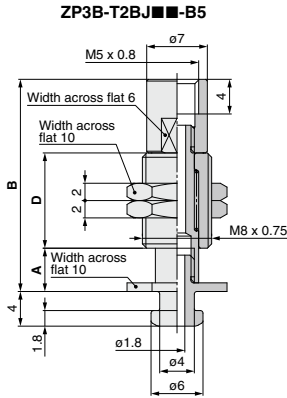
Note) The symbol "☆" indicates buffer type "JB" or "KB".



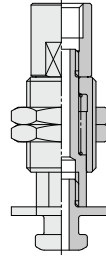
\* Refer to the 322 for nut tightening torque.

## Vacuum Inlet Direction **Vertical**

Buffer assembly part no.	Weight(g)
ZP3B-T2BJ3-B5	7.8
ZP3B-T2BJ6-B5	8.9
ZP3B-T2BJ10-B5	10.9
ZP3B-T2BK3-B5	7.7
ZP3B-T2BK6-B5	8.9
ZP3B-T2BK10-B5	10.9



ZP3B-T2BK series



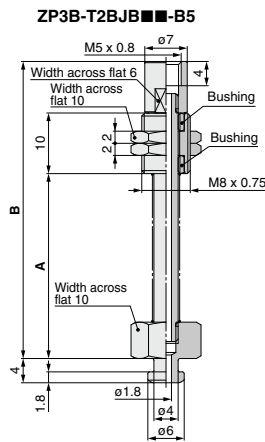
Applicable pad part no.
ZP3-10UM
ZP3-13UM
ZP3-16UM
ZP3-10B
ZP3-13B
ZP3-16B

**Dimensions (per stroke)**

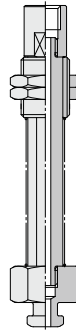
Model	A	B	D
ZP3B-T2B☆3-B5	5	24.5	11
ZP3B-T2B☆6-B5	8	31	14.5
ZP3B-T2B☆10-B5	12	41	20.5

Note) The symbol "☆" indicates buffer type "J" or "K".

Buffer assembly part no.	Weight(g)
ZP3B-T2BJB15-B5	12.5
ZP3B-T2BJB20-B5	15.6
ZP3B-T2BK15-B5	14.5
ZP3B-T2BK20-B5	15.6



ZP3B-T2BK series



Applicable pad part no.
ZP3-10UM
ZP3-13UM
ZP3-16UM
ZP3-10B
ZP3-13B
ZP3-16B

**Dimensions (per stroke)**

Model	A	B
ZP3B-T2B☆15-B5	30.5	49
ZP3B-T2B☆20-B5	38	56.5

Note) The symbol "☆" indicates buffer type "JB" or "KB".

**ZP3**

**ZP2E**

**ZP2**

**ZP2V**

**ZP**

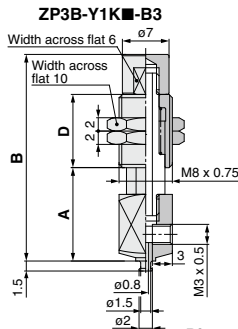
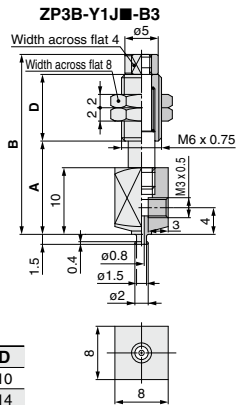
**ZPT  
ZPR**

**XT661**

# ZP3 Series

## Vacuum Inlet Direction **Lateral**

Buffer assembly part no.	Weight(g)
ZP3B-Y1J3-B3	7.6
ZP3B-Y1J6-B3	8.5
ZP3B-Y1K3-B3	10.9
ZP3B-Y1K6-B3	12.1



Applicable pad part no.
ZP3-015U
ZP3-02U
ZP3-035U

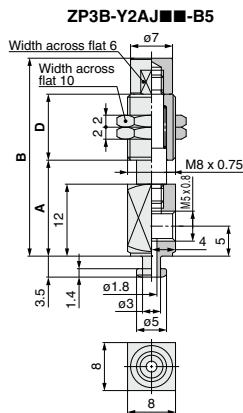
### Dimensions (per stroke)

Model	A	B	D
ZP3B-Y1J3-B3	14	27	10
ZP3B-Y1J6-B3	17	34	14

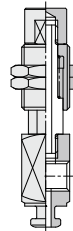
### Dimensions (per stroke)

Model	A	B	D
ZP3B-Y1K3-B3	14	31	11
ZP3B-Y1K6-B3	17	37.5	14.5

Buffer assembly part no.	Weight(g)
ZP3B-Y2AJ3-B5	12.5
ZP3B-Y2AJ6-B5	13.9
ZP3B-Y2AJ10-B5	16.3
ZP3B-Y2AK3-B5	11.9
ZP3B-Y2AK6-B5	13.1
ZP3B-Y2AK10-B5	15.1



ZP3B-Y2AK/B5



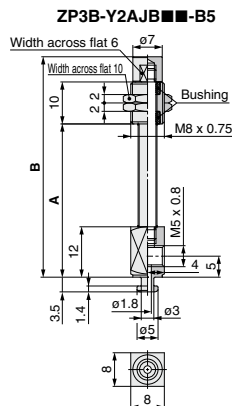
Applicable pad part no.
ZP3-04UM
ZP3-06UM
ZP3-08UM
ZP3-04B
ZP3-06B
ZP3-08B

### Dimensions (per stroke)

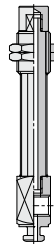
Model	A	B	D
ZP3B-Y2A☆3-B5	16.5	34	11
ZP3B-Y2A☆6-B5	19	40	14.5
ZP3B-Y2A☆10-B5	23	50	20.5

Note) The symbol "☆" indicates buffer type "J" or "K".

Buffer assembly part no.	Weight(g)
ZP3B-Y2AJB15-B5	14.0
ZP3B-Y2AJB20-B5	14.8
ZP3B-Y2AK15-B5	15.2
ZP3B-Y2AK20-B5	16.3



ZP3B-Y2AK/B5



Applicable pad part no.
ZP3-04UM
ZP3-06UM
ZP3-08UM
ZP3-04B
ZP3-06B
ZP3-08B

### Dimensions (per stroke)

Model	A	B
ZP3B-Y2A☆15-B5	36.5	53
ZP3B-Y2A☆20-B5	44	60.5

Note) The symbol "☆" indicates buffer type "JB" or "KB".

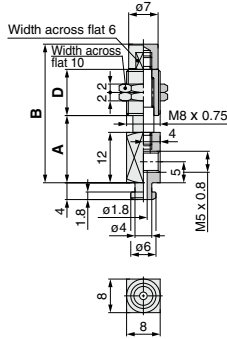
\* Refer to the 322 for nut tightening torque.

## Vacuum Inlet Direction **Lateral**

Buffer assembly part no.	Weight(g)
ZP3B-Y2BJ3-B5	13.0
ZP3B-Y2BJ6-B5	14.3
ZP3B-Y2BJ10-B5	16.7
ZP3B-Y2BK3-B5	12.4
ZP3B-Y2BK6-B5	13.6
ZP3B-Y2BK10-B5	15.5

**ZP3B-Y2BJ■■■-B5**

**ZP3B-Y2BK■■■-B5**



Applicable pad part no.
ZP3-10UM
ZP3-13UM
ZP3-16UM
ZP3-10B
ZP3-13B
ZP3-16B

### Dimensions (per stroke)

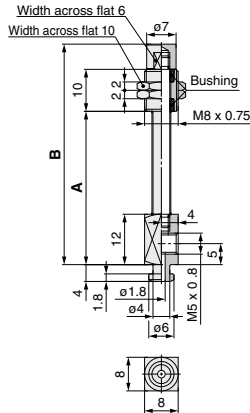
Model	A	B	D
ZP3B-Y2B☆3-B5	16.5	34	11
ZP3B-Y2B☆6-B5	19	40	14.5
ZP3B-Y2B☆10-B5	23	50	20.5

(Note) The symbol "☆" indicates buffer type "J" or "K".

Buffer assembly part no.	Weight(g)
ZP3B-Y2BJB15-B5	14.4
ZP3B-Y2BJB20-B5	15.2
ZP3B-Y2BK15-B5	15.6
ZP3B-Y2BK20-B5	16.7

**ZP3B-Y2BJB■■■-B5**

**ZP3B-Y2BK■■■-B5**



Applicable pad part no.
ZP3-10UM
ZP3-13UM
ZP3-16UM
ZP3-10B
ZP3-13B
ZP3-16B

### Dimensions (per stroke)

Model	A	B
ZP3B-Y2B☆15-B5	36.5	53
ZP3B-Y2B☆20-B5	44	60.5

(Note) The symbol "☆" indicates buffer type "JB" or "K".

**ZP3**

**ZP3E**

**ZP2**

**ZP2V**

**ZP**

**ZPT**  
**ZPR**

**XT661**