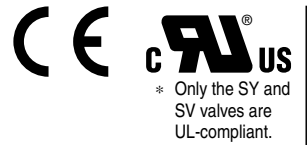


**Type 3 Integrated input-output type**

# Fieldbus System (For Input/Output)

## EX250 Series

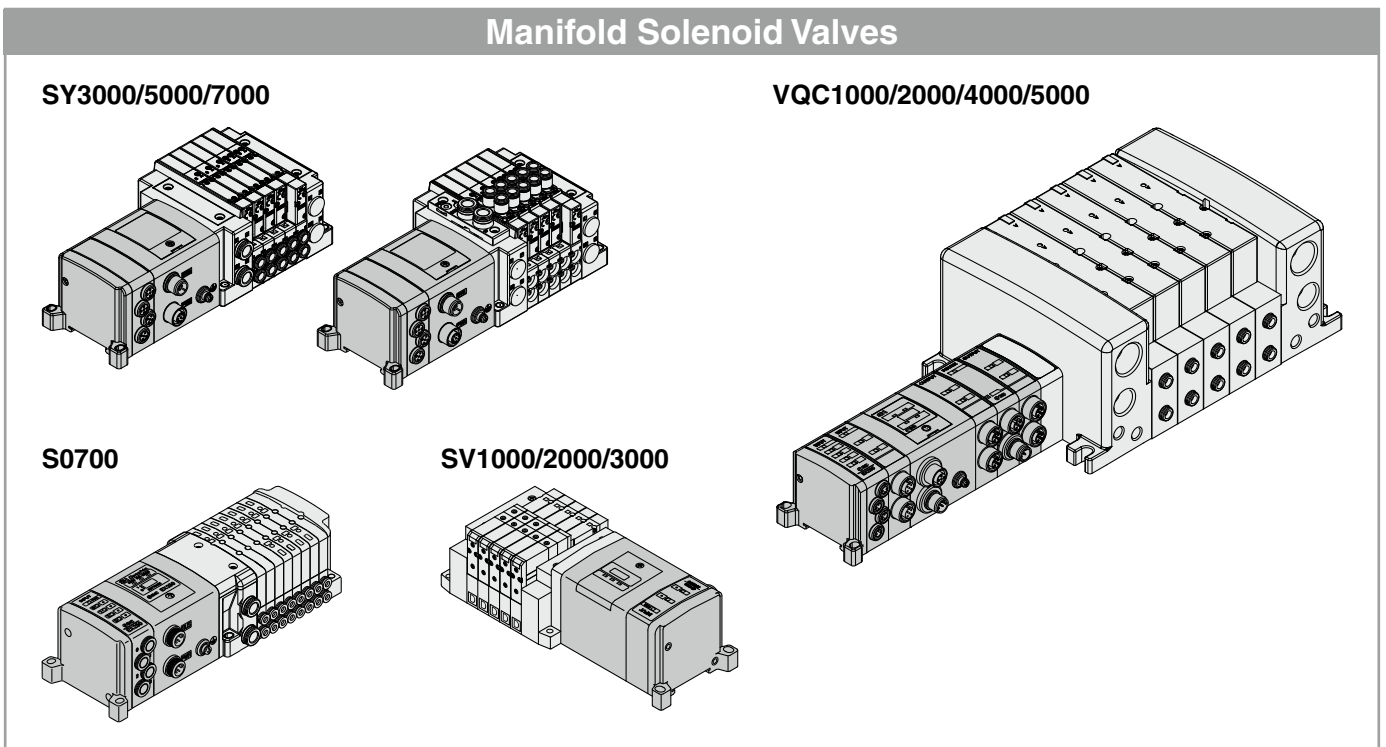


**Compatible Protocols**

DeviceNet™    PROFIBUS®  
 CANopen    EtherNet/IP™

Made to Order    Modbus    CC-Link IE Field™

- ★ Enclosure IP67
- ★ Maximum 32 inputs/32 outputs
- ★ Sensors with M8/M12 connectors can be connected.

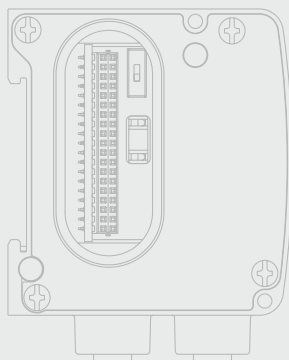
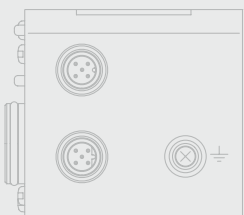
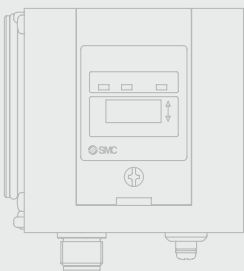


Type 1	EX260
Type 1	EX123/124/126
Type 2	EX500
Type 3	EX600
Type 3	EX245
Type 3	EX250
Type 1	EX120/121/122
Type 1	EX140
Type 1	EX180
Type 2	EX510
	M8/M12
	ATEX

# CONTENTS

## Type 3 Integrated input-output type

### Fieldbus System (For Input/Output) EX250 Series



<b>Parts Structure</b> .....	p. 148
<b>SI Unit</b>	
How to Order .....	p. 148
Specifications .....	p. 149
Dimensions/Parts Description .....	p. 150
LED Indicator .....	p. 152

<b>Input Block</b>	
How to Order .....	p. 153
Specifications .....	p. 153
Dimensions/Parts Description .....	p. 154
LED Indicator .....	p. 155
Internal Circuit .....	p. 155

#### Accessories

Example of Connections .....	p. 156
① Replacement Fuse .....	p. 157
② End Plate (Input side) .....	p. 157
③ Output Block .....	p. 158
④ Power Block .....	p. 158
⑤ End Plate (Output side) .....	p. 161
⑥ Communication Cable .....	p. 162
⑦ Field-wireable Communication Connector .....	p. 164
⑧ Power Supply Cable (For SI unit/For power block) ...	p. 164
⑧ Power Supply Cable (For SI unit) .....	p. 165
⑨ Cable for Output Entry .....	p. 165
⑩ Seal Cap (10 pcs.) .....	p. 165
⑪ Power Supply Cable (For connecting the SI unit to the power block) ...	p. 166
⑫ AS-Interface Power Supply Cable .....	p. 166

#### Made to Order

① DeviceNet™, 7/8 inch connector, Occupied points: 48 inputs/32 outputs .....	p. 167
Communication Cable .....	p. 167
Power Supply Cable .....	p. 168

Specific Product Precautions .....	p. 170
------------------------------------	--------

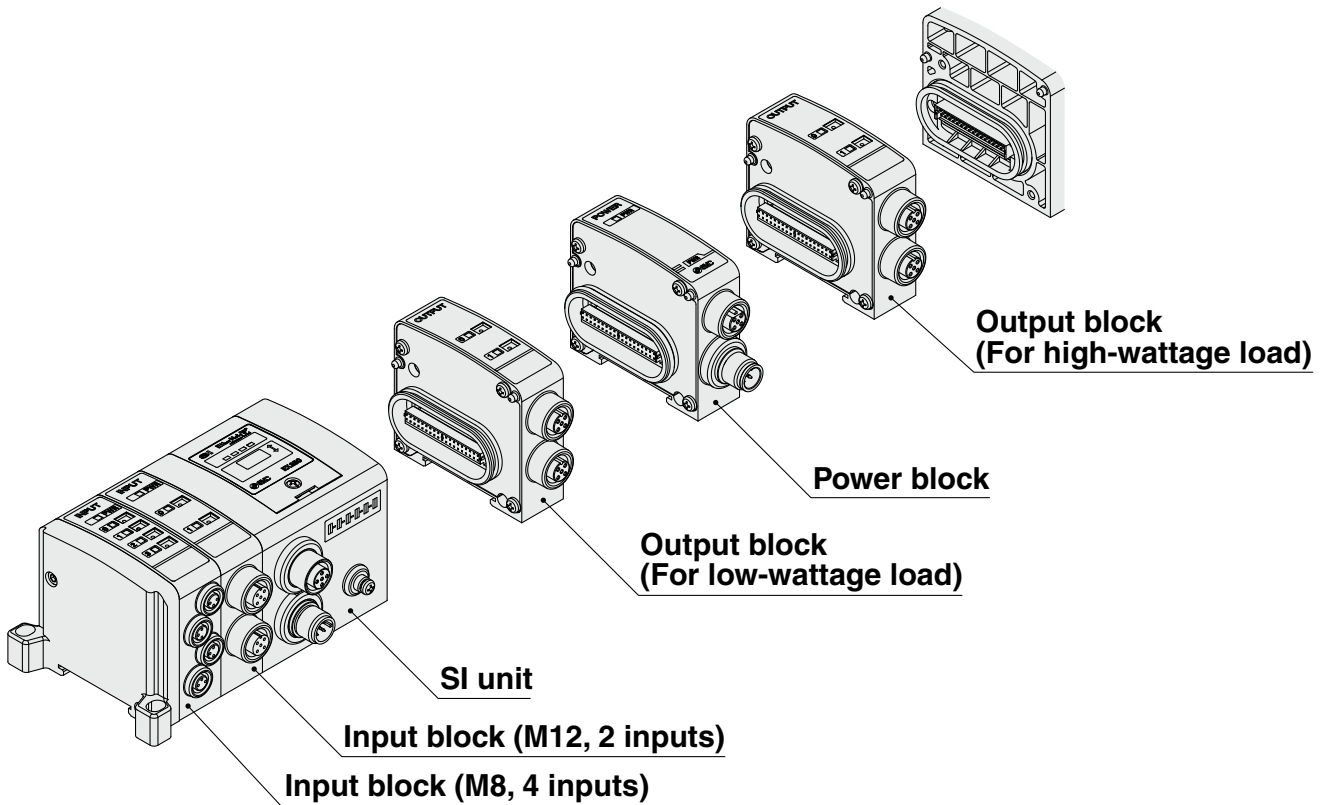
# Fieldbus System For Input/Output

# EX250 Series



\* Only the SY and SV valves are UL-compliant.

## Parts Structure



Type 1	EX260
Type 1	EX123/124/126
Type 2	EX500
Type 2	EX600
Type 3	EX245
Type 3	EX250
Type 1	EX120/121/122
Type 1	EX140
Type 1	EX180
Type 2	EX510
Type 2	M8/M12
Type 2	ATEX

## How to Order

**EX250 - S** DN1 -   

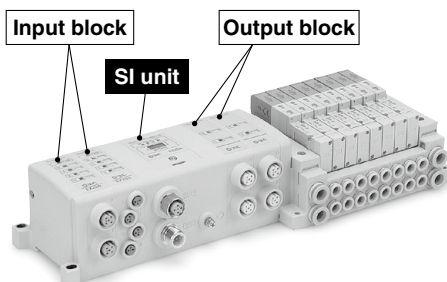
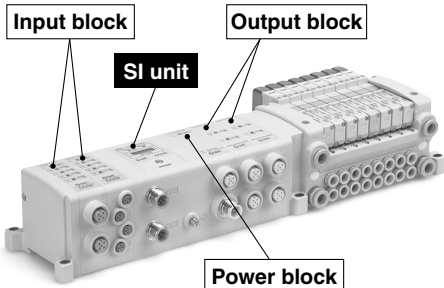
• Made to Order → p. 167  
DeviceNet™ 7/8 inch connector

### • Protocol

DN1*1	DeviceNet™
DN1-X102*1	DeviceNet™
PR1	PROFIBUS DP
AS3	AS-Interface (8in/8out 31 Slave Mode, 2 power supply systems)
AS5	AS-Interface (4in/4out 31 Slave Mode, 2 power supply systems)
AS7	AS-Interface (8in/8out 31 Slave Mode, 1 power supply system)
AS9	AS-Interface (4in/4out 31 Slave Mode, 1 power supply system)
CA1A	CANopen
EN1	EtherNet/IP™

\*1 DN1's occupied points are 32 inputs and 32 outputs, while DN1-X102 has 48 inputs and 32 outputs.

### SI Unit



# EX250 Series

## Specifications

Model		EX250-SDN1	EX250-SDN1-X102 <sup>*1</sup>	EX250-SPR1	EX250-SCA1A	EX250-SEN1	EX250-SAS3/5	EX250-SAS7/9
Communication	Applicable system	DeviceNet™		PROFIBUS DP	CANopen	EtherNet/IP™	AS-Interface	
	Protocol Version <sup>*2</sup>	Release 2.0		DP-V0	CiA DS-301 V4.02 CiA DS-401	Release 1.0	Ver. 2.11 (Standard Address Mode)	
	Communication speed	125 k/250 k/500 kbps		9.6 k/19.2 k/ 45.45 k/93.75 k/ 187.5 k/500 k/ 1.5 M/3 M/6 M/ 12 Mbps	10 k/20 k/50 k/ 125 k/250 k/ 500 k/800 k/ 1 Mbps	10 M/100 Mbps	167 kbps	
	Configuration file <sup>*3</sup>	EDS file		GSD file	EDS file	EDS file	—	—
	I/O occupation area (Inputs/Outputs)	32/32	48/32	32/32	32/32	48/32	SAS3: 8/8 (2 slave units) SAS5: 4/4	SAS7: 8/8 (2 slave units) SAS9: 4/4
	Applicable function	QuickConnect™		—	—	—	—	—
	Terminating resistor	Not provided				Not provided (Not required)		
Power supply voltage	For control	11 to 25 VDC (Supplied by DeviceNet™ circuit)		24 VDC ±20%	18 V to 30 VDC (Supplied by CANopen circuit)	24 VDC ±20%	26.5 to 31.6 VDC (Supplied by AS-i circuit)	*4 26.5 to 31.6 VDC (Supplied by AS-i circuit)
	For sensors	24 VDC ±20%			24 VDC ±20%			
	For valve	24 VDC +10%/−5%						
Internal current consumption (Unit)		100 mA or less				SAS3: 100 mA or less SAS5: 65 mA or less	SAS7: 100 mA or less SAS9: 65 mA or less	
Input	Number of inputs	32 inputs (Based on input block connection)				SAS3: 8 inputs SAS5: 4 inputs	SAS7: 8 inputs SAS9: 4 inputs	
	Supply voltage	24 VDC						
	Supply current	1.0 A or less				SAS3: 240 mA or less SAS5: 120 mA or less	*5	
Output	Output type	Source/PNP (Negative common)						
	Number of outputs	32 outputs				SAS3: 8 outputs SAS5: 4 outputs	SAS7: 8 outputs SAS9: 4 outputs	
	Load	Solenoid valve with surge voltage suppressor 24 VDC, 1.5 W or less (SMC) Output block Power block						
	Supply voltage	24 VDC						
	Supply current	2.0 A or less				SAS3: 500 mA or less SAS5: 250 mA or less	*5	
	Fail safe	HOLD/CLEAR (Switch setting)	CLEAR	HOLD/CLEAR (Switch setting)				
Environmental resistance	Enclosure	IP67						
	Operating temperature range	5 to +45°C			−10 to +50°C	5 to +45°C		
	Operating humidity range	35 to 85%RH (No condensation)						
	Withstand voltage	500 VAC for 1 minute between whole external terminal and FG						
	Insulation resistance	10 MΩ or more (500 VDC) between whole external terminal and FG						
Standards	CE marking (EMC directive/RoHS directive), UL (CSA)							
Weight	250 g							
Accessory <sup>*6</sup>	Tie-rod 2 pcs.							

\*1 This is a specification to transmit the diagnostic information of voltage drop of the valve power supply and input block fuse blowout as an input data to the master. The EX250-SDN1 becomes I/O connection time out when the diagnostic information is detected, but not EX250-SDN1-X102. Since this is a special product, a manifold part number is not specified. Please consult SMC for the manifold integrated type.

\*2 Please note that the version is subject to change.

\*3 The setting file can be downloaded from SMC website, <http://www.smcworld.com>

\*4 Since the EX250-SAS7/9 is compatible with the 1 power supply system, the power supply for units is divided into two: the power supply for sensors and for valves.

\*5 Since the EX250-SAS7/9 is compatible with the 1 power supply system, the power supply must be divided in accordance with the values below. (Refer to page 170 for details.)

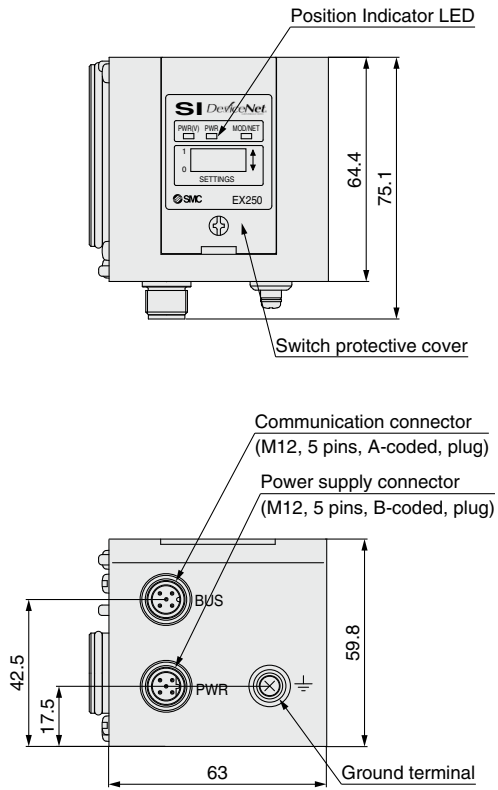
EX250-SAS7 ... Max. 240 mA, EX250-SAS9 ... Max. 120 mA

\*6 When the SI unit is mounted to the manifold when shipped, accessories are shipped together with it.

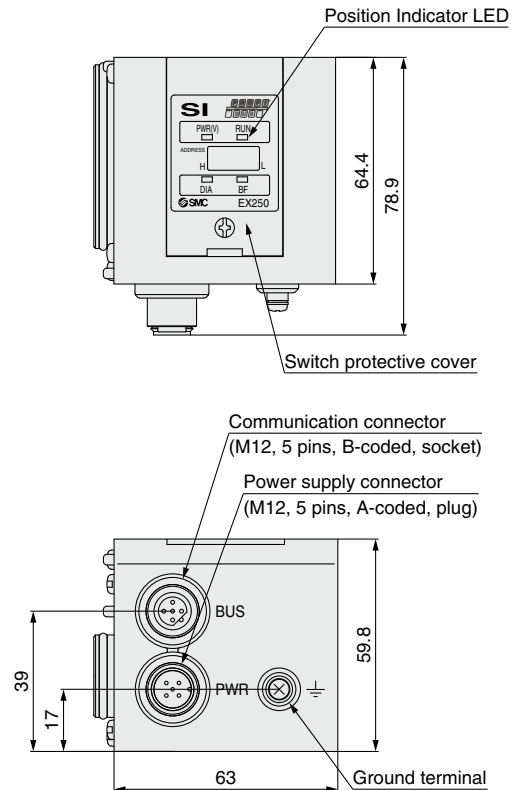
\*7 For detailed specifications other than the above, refer to the operation manual that can be downloaded from SMC website, <http://www.smcworld.com>

**Dimensions/Parts Description**

**EX250-SDN1 (DeviceNet™)**



**EX250-SPR1 (PROFIBUS DP)**

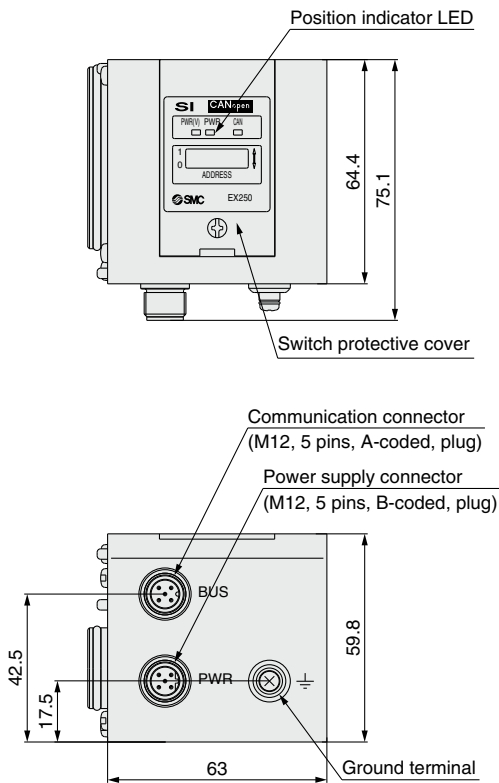


Type 1	EX260
Type 2	EX123/124/126
Type 3	EX500
	EX600
	EX245
	EX250
Type 1	EX120/121/122
	EX140
	EX180
Type 2	EX510
	M8/M12
	ATEX

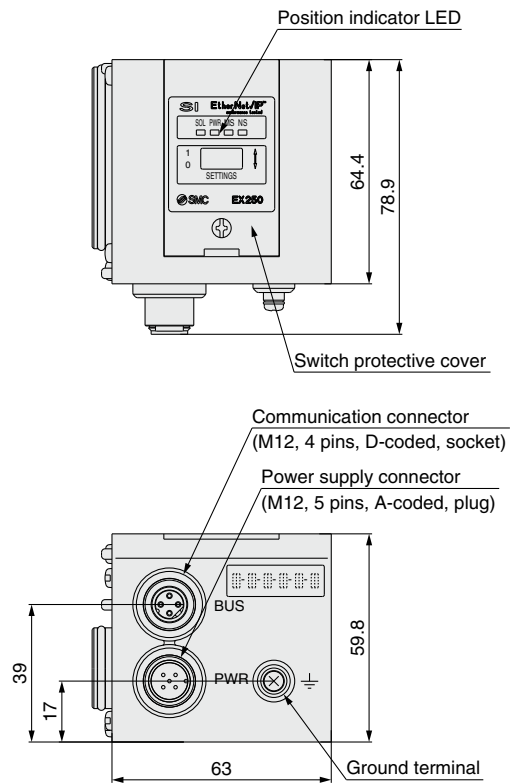
# EX250 Series

## Dimensions/Parts Description

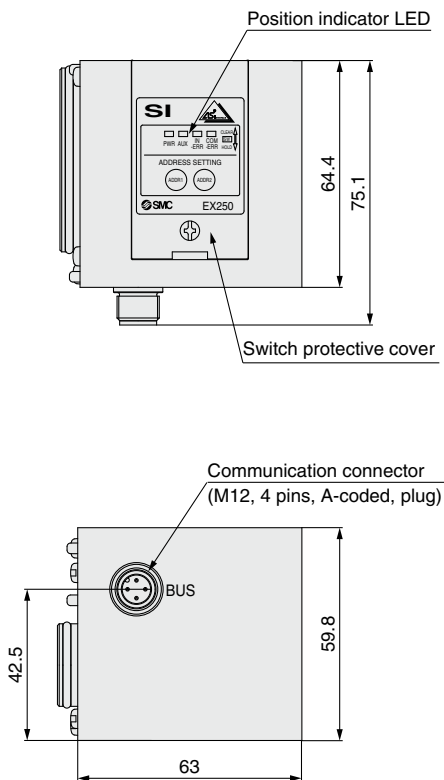
### EX250-SCA1A (CANopen)



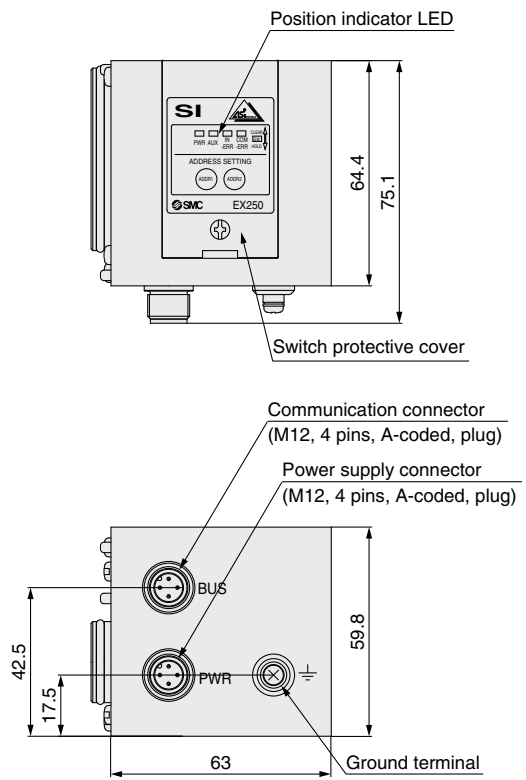
### EX250-SEN1 (EtherNet/IP™)



### EX250-SAS7/9 (AS-Interface 1 power supply system)

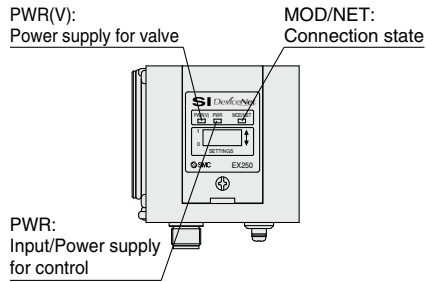


### EX250-SAS3/5 (AS-Interface 2 power supply systems)

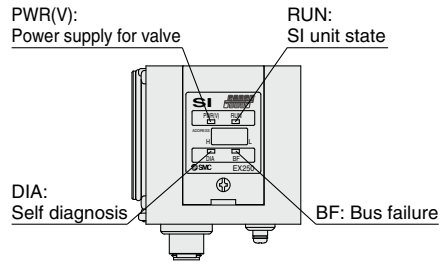


## LED Indicator

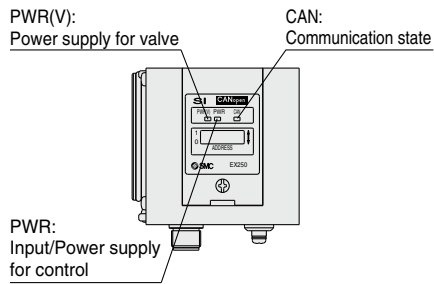
### EX250-SDN1 (DeviceNet™)



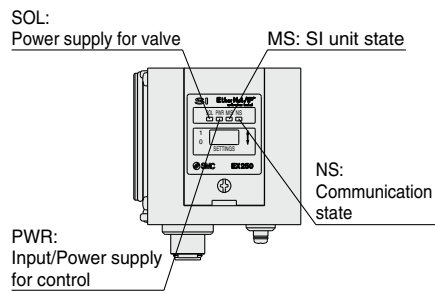
### EX250-SPR1 (PROFIBUS DP)



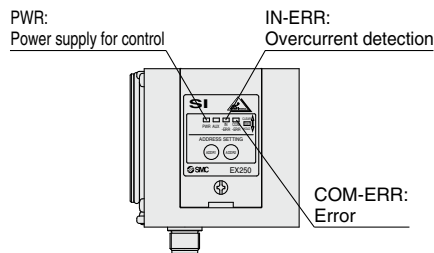
### EX250-SCA1A (CANopen)



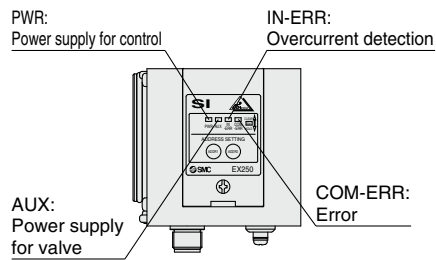
### EX250-SEN1 (EtherNet/IP™)



### EX250-SAS7/9 (AS-Interface 1 power supply system)



### EX250-SAS3/5 (AS-Interface 2 power supply systems)

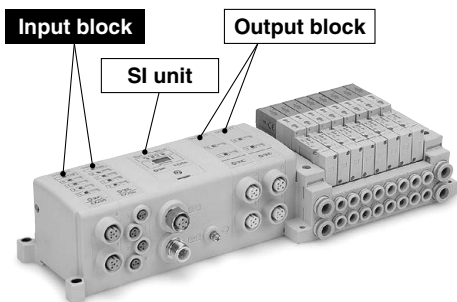
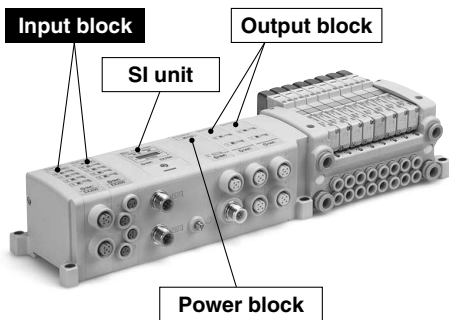


Type 1	EX260
	EX123/124/126
Type 2	EX500
	EX600
Type 3	EX245
	EX250
Type 1	EX120/121/122
	EX140
	EX180
Type 2	EX510
	M8/M12
	ATEX

# EX250 Series

## How to Order

### Input Block



## EX250-IE 1

### Block type

1	M12 connector, 2 inputs
2	M12 connector, 4 inputs
3	M8 connector, 4 inputs

For accessory, refer to pages 156 to 166.

## Specifications

Model		EX250-IE1	EX250-IE2	EX250-IE3
Input	Input type	PNP/NPN sensor input (switched using a switch)		
	Number of inputs	2 inputs	4 inputs	
	Input device supply voltage	24 VDC		
	Input device supply current	Max. 30 mA/Point*1		
	Rated input current	Approx. 8 mA		
Environmental resistance	Enclosure	IP67		
	Operating temperature range	-10 to +50°C		
	Operating humidity range	35 to 85%RH (No condensation)		
	Withstand voltage	500 VAC for 1 minute between whole external terminal and FG		
Insulation resistance	10 MΩ or more (500 VDC) between whole external terminal and FG			
Standards	CE marking, UL (CSA)			
Weight	90 g			
Accessory*2	Tie-rod 2 pcs.			

\*1 When the maximum inputs to the SI unit is reached by adding an input block, pay attention not to exceed the supply current for the SI unit input.

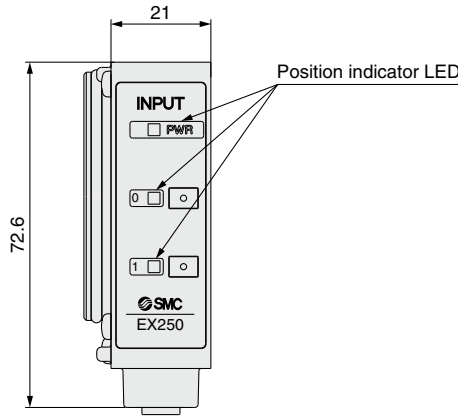
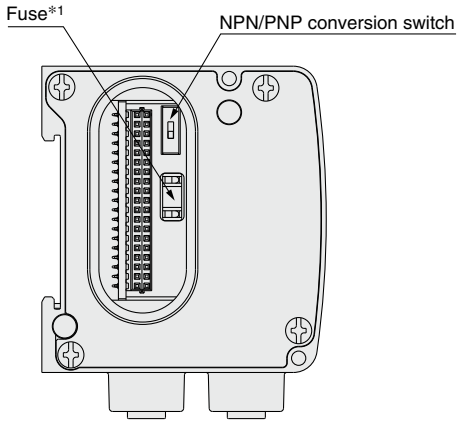
\*2 When the SI unit is integrated into manifold, its tie-rod is also incorporated at the time of shipment.

\* For detailed specifications other than the above, refer to the operation manual that can be downloaded from SMC website, <http://www.smcworld.com>

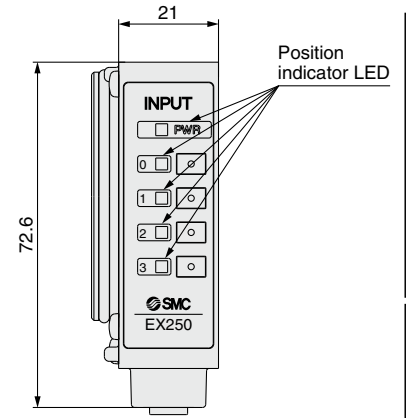


**Dimensions/Parts Description**

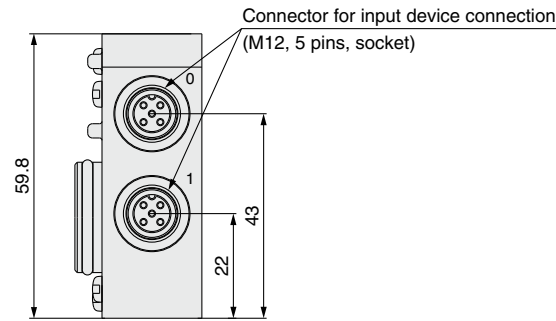
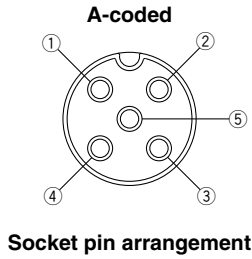
**EX250-IE1, EX250-IE2**



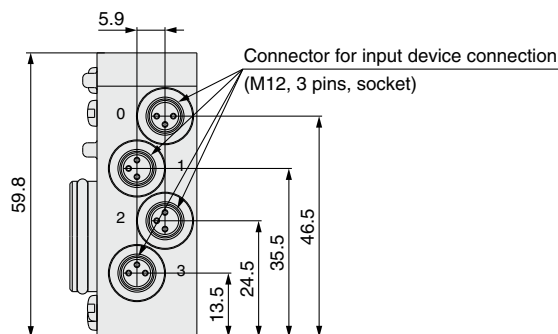
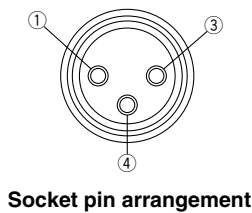
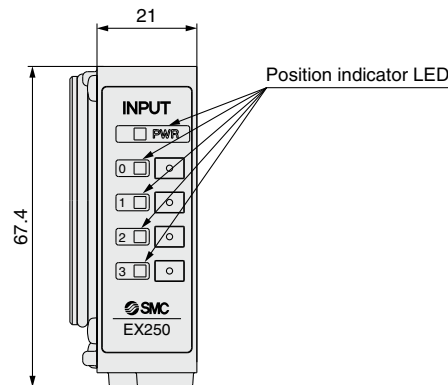
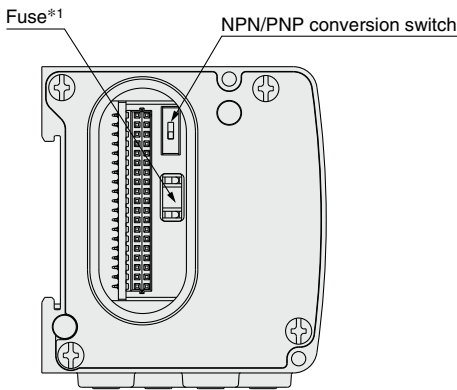
**EX250-IE1**



**EX250-IE2**



**EX250-IE3**



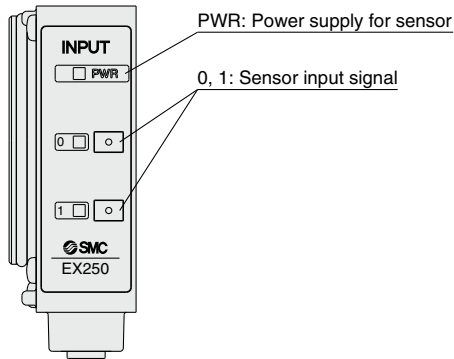
\*1 Fuse for overcurrent protection  
If addressing the possible cause of a problem, even when the fuse is blown, it can be reinstated by replacing with a fuse as shown in options, page 157

Type 1	EX260
Type 1	EX123/124/126
Type 2	EX500
Type 2	EX600
Type 2	EX245
Type 2	EX250
Type 3	EX120/121/122
Type 3	EX140
Type 3	EX180
Type 3	EX510
Type 3	M8/M12
Type 3	ATEX

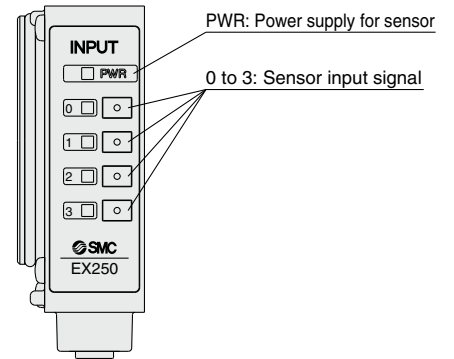
# EX250 Series

## LED Indicator

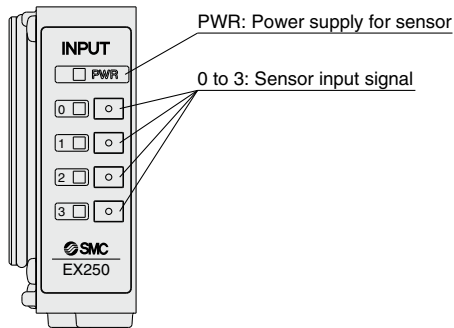
### EX250-IE1



### EX250-IE2

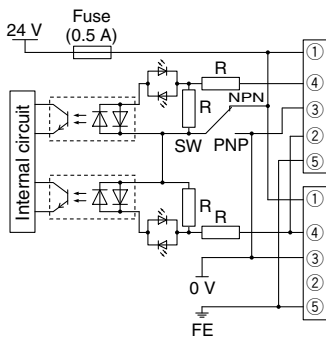


### EX250-IE3

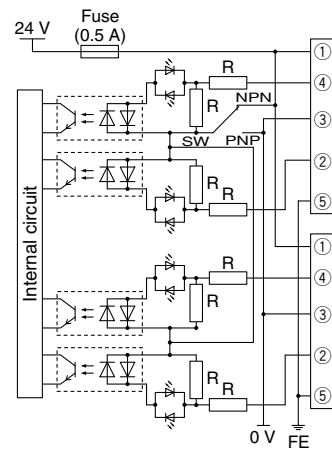


## Internal Circuit

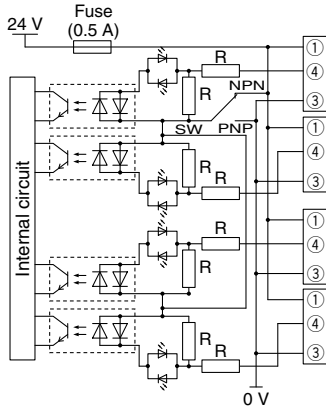
### EX250-IE1



### EX250-IE2



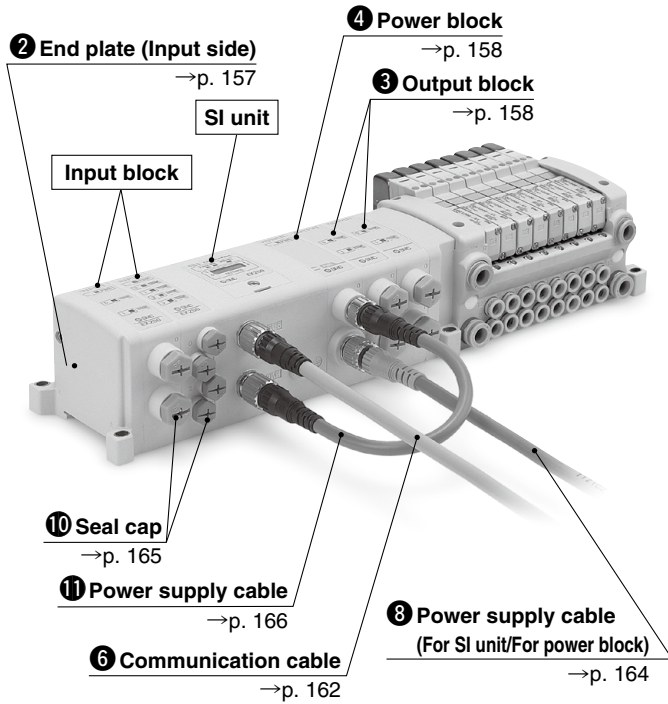
### EX250-IE3



# EX250 Series Accessories

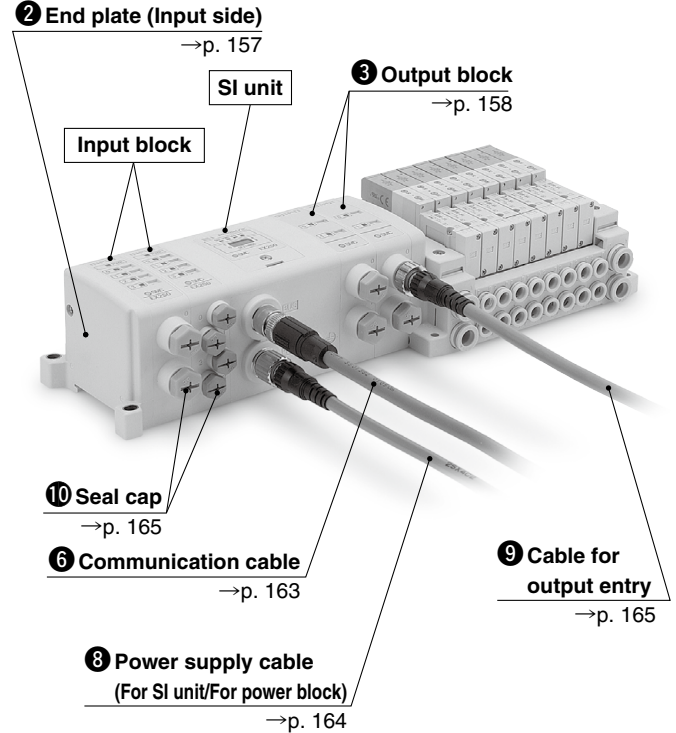
## Example of Connections

### Connection example of an SI unit compatible with DeviceNet™, CANopen



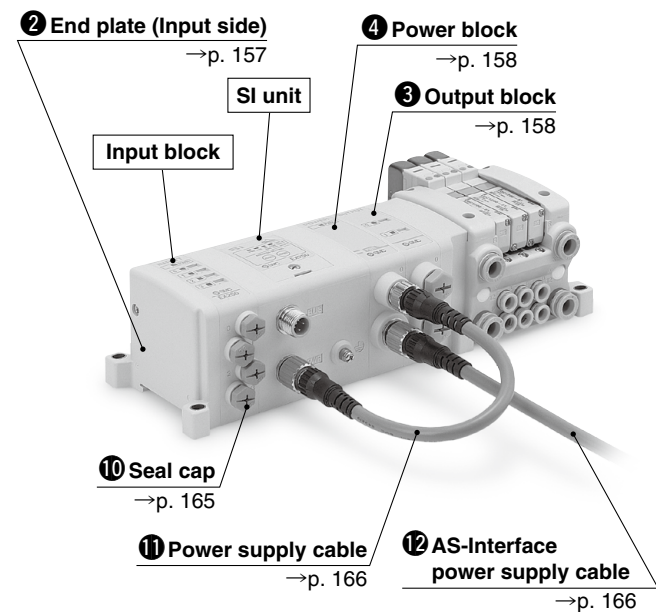
\* The SI unit pictured above is compatible with DeviceNet™.

### Connection example of an SI unit compatible with EtherNet/IP™, PROFIBUS DP



\* The SI unit pictured above is compatible with PROFIBUS DP.

### Connection example of an SI unit compatible with AS-Interface



Type 1	EX260
	EX123/124/126
Type 2	EX500
	EX600
Type 3	EX245
	EX250
Type 1	EX120/121/122
	EX140
	EX180
Type 2	EX510
	M8/M12
	ATEX

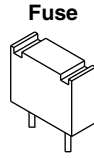
# EX250 Series

## ① Replacement Fuse

Replacement fuse required when the fuse for the input block (EX250-IE□) overcurrent protection is blown.

### EX9-FU05

Model	<b>EX9-FU05</b>
Applicable model	EX250-IE□
Rated current	0.5 A
Rated insulation capacity	48 VAC/DC 50 A
Fuse resistance value	0.36 Ω



## ② End Plate (Input side)

### EX250-EA 1

#### ● Mounting specification

1	Direct mounting
2	DIN rail mounting

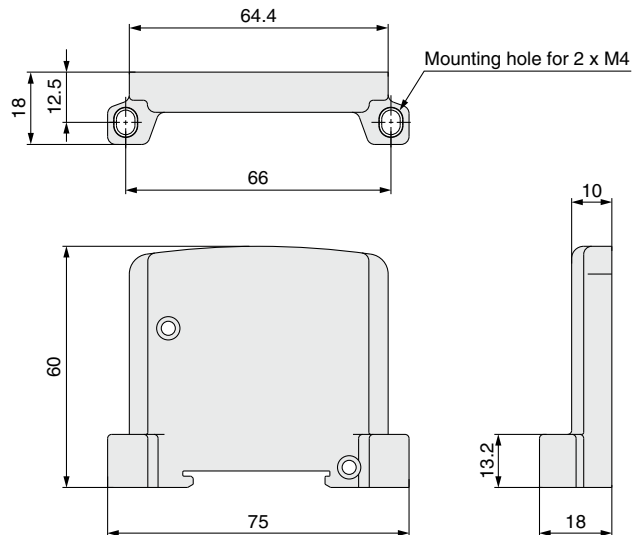
Accessory  
Hexagon socket head cap screw (M3 x 10): 2 pcs.

#### <Example of use>

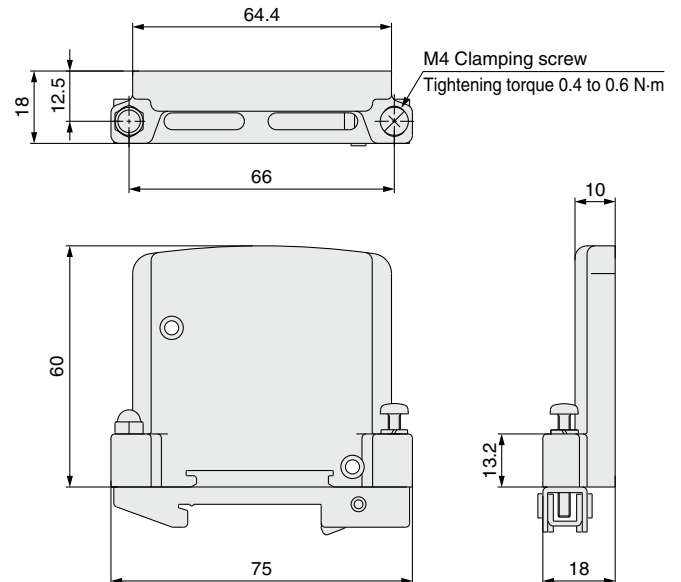
End plate (Input side)

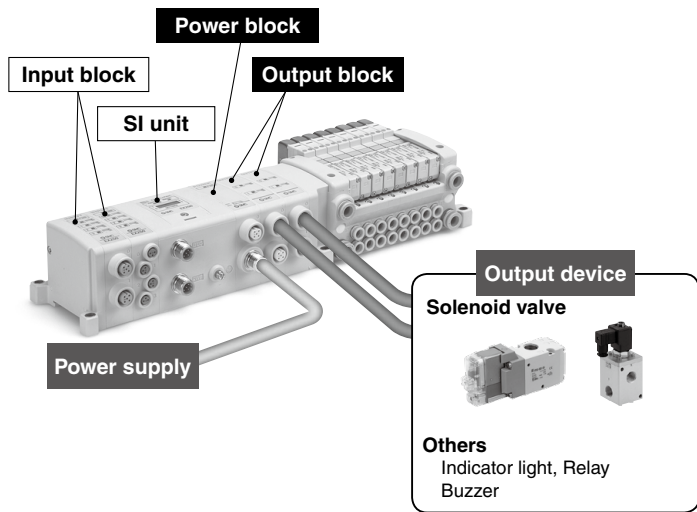


### EX250-EA1



### EX250-EA2



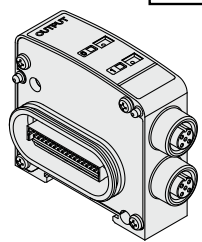


- Able to retrofit to the valve manifold, using the unused points
- 2-output (M12 connector)
- Positive/Negative common available as standard
- Able to drive by 0.5 A per point

You are requested to connect it to an SI unit and a valve manifold. For detailed specifications, refer to the operation manual that can be downloaded from SMC website, <http://www.smcworld.com>

### ③ Output Block

EX9-OE T 1



#### • Output specification

1	Source/PNP (Negative common)
2	Sink/NPN (Positive common)

#### • Power supply type

T	Internal power supply method (for low-wattage load)
P	Integrated power supply method (for high-wattage load)*1

\*1 Required to connect with a power block

#### SI Unit/Part Nos.

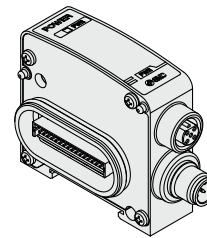
SI unit part no.	Output	Applicable model
EX250-SDN1 EX250-SPR1 EX250-SAS□ EX250-SCA1A EX250-SEN1	Source/PNP (Negative common)	EX9-OET1 EX9-OEP1

#### Option/Part Nos.

Description	Part no.	Applicable model		Note
		OET□	OEP□	
Seal cap	EX9-AWTS	○	○	Refer to page 165. Order separately: 10 pcs. included
Cable for output entry	EX9-AC□-7	○	○	Refer to page 165. Order separately.
Power block	EX9-PE1		○	Refer to page 159. Order separately.

### ④ Power Block

EX9-PE1



#### Option/Part Nos.

Description	Part no.	Note
Seal cap	EX9-AWTS	Refer to page 165. Order separately: 10 pcs. included
Power supply cable (For SI unit/For power block)	EX9-AC□-1	Refer to page 164. Order separately.
Power supply cable (For connecting the SI unit to the power block)	EX9-AC002-2 EX9-AC002-3 EX9-AC002-4	Refer to page 166. Order separately.
AS-Interface power supply cable	EX9-AC□-5	Refer to page 166. Order separately.

Type 1	EX260
Type 2	EX500
Type 3	EX600
	EX245
	EX250
Type 1	EX140
	EX180
Type 2	EX510
	M8/M12
	ATEX

# EX250 Series

## ③ Output Block/④ Power Block

### Output Block Specifications

Model		EX9-OET1	EX9-OET2	EX9-OEP1	EX9-OEP2
<b>Output connector</b>		M12 connector (5 pins)			
<b>Internal current consumption</b>		40 mA or less			
<b>Output</b>	<b>Output type</b>	Source/PNP (Negative common)	Sink/NPN (Positive common)	Source/PNP (Negative common)	Sink/NPN (Positive common)
	<b>Number of outputs</b>	2 outputs			
	<b>Power supply method</b>	Internal power supply method		Integrated power supply method (Power block: supplied from EX9-PE1)	
	<b>Output device supply voltage</b>	24 VDC			
	<b>Output device supply current</b>	Max. 62 mA/Point (1.5 W/Point)		Max. 0.5 A/Point (12 W/Point)	
<b>Environmental resistance</b>	<b>Enclosure</b>	IP67			
	<b>Operating temperature range</b>	-10 to +50°C			
	<b>Operating humidity range</b>	35 to 85%RH (No condensation)			
	<b>Withstand voltage</b>	1500 VAC for 1 minute between whole external terminal and FG			
	<b>Insulation resistance</b>	10 MΩ or more (500 VDC) between whole external terminal and FG			
<b>Standards</b>		CE marking, UL (CSA)			
<b>Weight</b>		120 g			
<b>Accessory</b>	<b>Tie-rod</b>	2 pcs.			

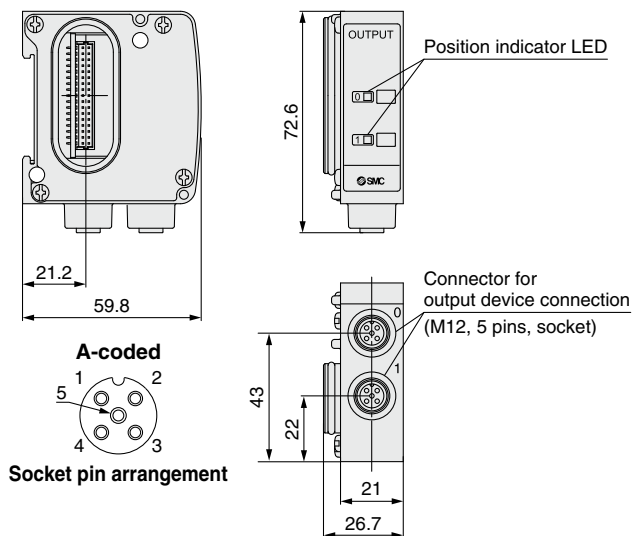
### Power Block Specifications

Model		EX9-PE1	
<b>Connection block</b>		Output block (EX9-OEP□)	
<b>Connection block stations</b>		Output block: Max. 9 stations (excluding input blocks)*1	
<b>Power supply for output and internal control</b>	<b>Power supply voltage</b>	22.8 to 26.4 VDC	
	<b>Internal power consumption</b>	20 mA or less	
<b>Supply current</b>		Max. 3.1 A (When using with 3.0 to 3.1 A, the ambient temperature should not exceed 40°C, and do not bundle the cable.)	
<b>Environmental resistance</b>	<b>Enclosure</b>	IP67	
	<b>Operating temperature range</b>	-10 to +50°C	
	<b>Operating humidity range</b>	35 to 85%RH (No condensation)	
	<b>Withstand voltage</b>	1500 VAC for 1 minute between whole external terminal and FG	
	<b>Insulation resistance</b>	10 MΩ or more (500 VDC) between whole external terminal and FG	
<b>Standards</b>		CE marking, UL (CSA)	
<b>Weight</b>		120 g	
<b>Accessory</b>	<b>Tie-rod</b>	2 pcs.	
	<b>Seal cap (for M12 connector socket)</b>	1 pc. (EX9-AWTS)	

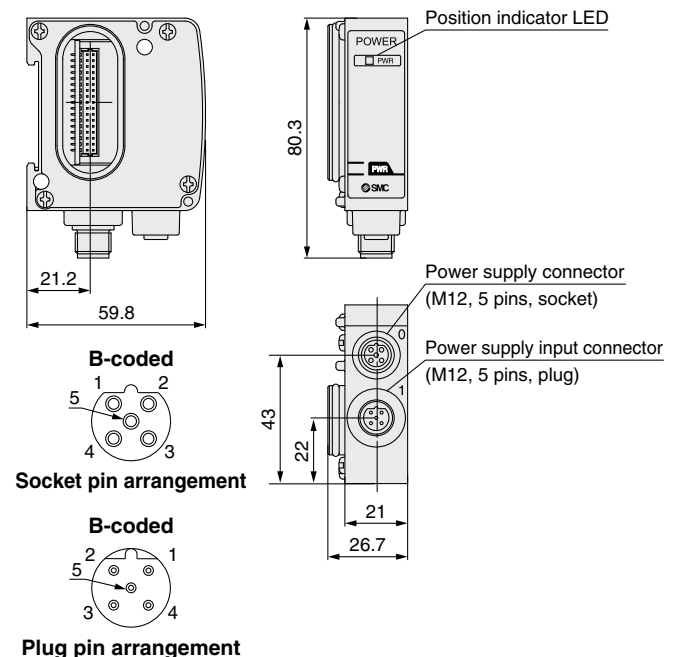
\*1 The total number of connectable input/output/power block to the EX250 series SI unit (except for AS-Interface compliant) is 10 stations at the maximum.

\* For detailed specifications other than the above, refer to the operation manual that can be downloaded from SMC website, <http://www.smcworld.com>

### Output Block Dimensions/Parts Description



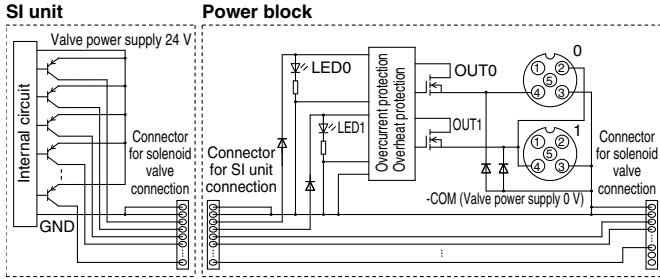
### Power Block Dimensions/Parts Description



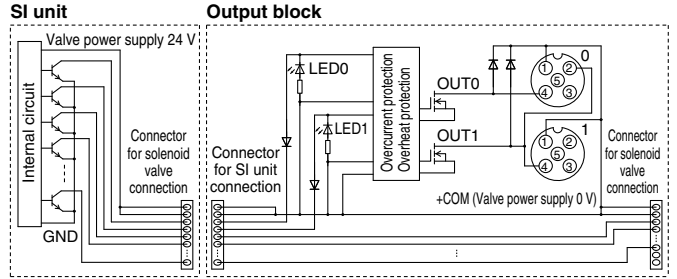
**③ Output Block/④ Power Block**

**Circuit Diagram**

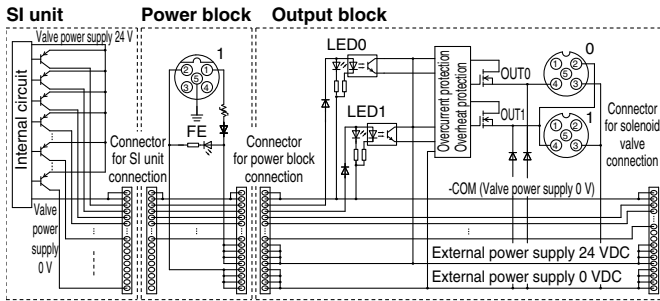
**EX9-OET1**



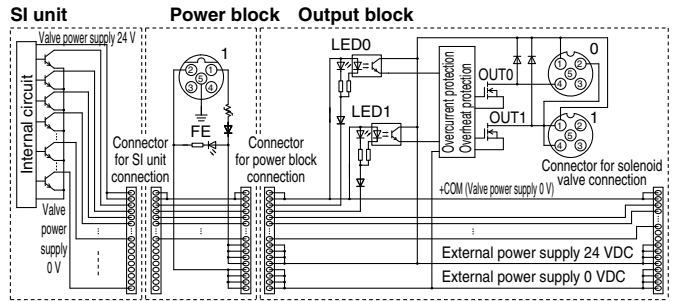
**EX9-OET2**



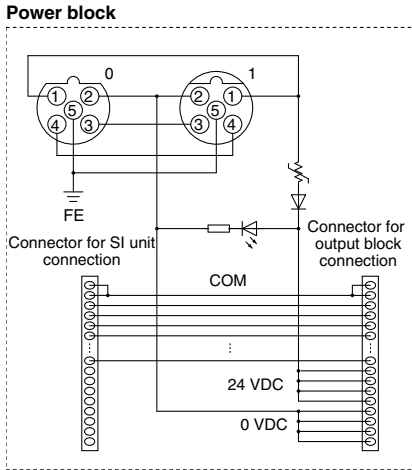
**EX9-OEP1**



**EX9-OEP2**



**EX9-PE1**



\* When the valve which supplies power to the SI unit is turned OFF, the output of the output block (EX9-OE□) remains OFF.

Type 1	EX260
	EX123/124/126
Type 2	EX500
	EX600
Type 3	EX245
	EX250
Type 1	EX120/121/122
	EX140
	EX180
Type 2	EX510
	M8/M12
	ATEX

# EX250 Series

## ⑤ End Plate (Output side)

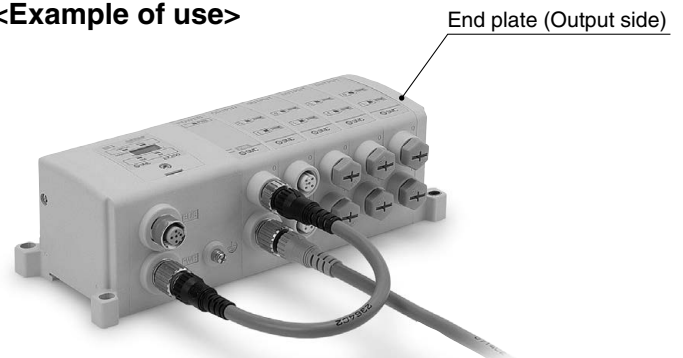
Use the end plate when a valve manifold is not connected.

EX9-EA **03**

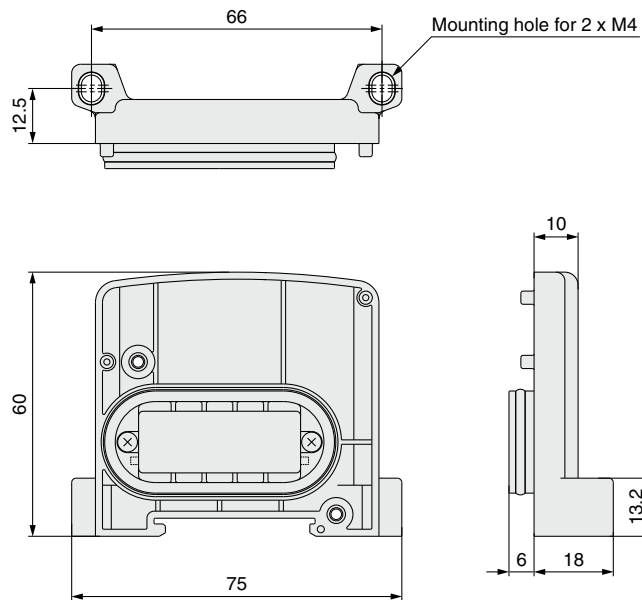
● **Mounting specification**

<b>03</b>	Direct mounting
<b>04</b>	DIN rail mounting

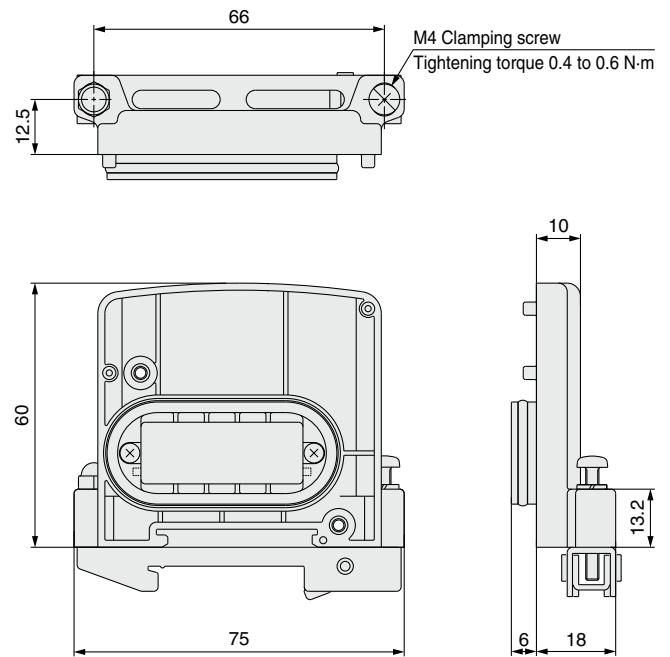
<Example of use>



EX9-EA03



EX9-EA04

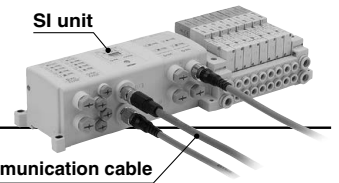




<b>ATEX</b>	<b>M8/M12</b>	<b>Type 2</b>		<b>Type 1</b>		<b>Type 3</b>		<b>Type 2</b>	<b>Type 1</b>		
		<b>EX510</b>	<b>EX180</b>	<b>EX140</b>	<b>EX120/121/122</b>	<b>EX250</b>	<b>EX245</b>	<b>EX600</b>	<b>EX500</b>	<b>EX123/124/126</b>	<b>EX260</b>

# EX250 Series

## ⑥ Communication Cable

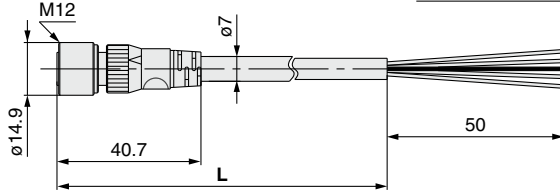


For DeviceNet™ For CANopen

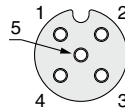
EX500-AC **050** -DN

• Cable length (L)

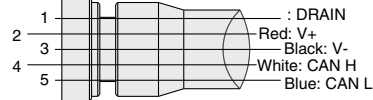
<b>010</b>	1000 mm
<b>050</b>	5000 mm



A-coded



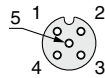
Socket connector pin arrangement



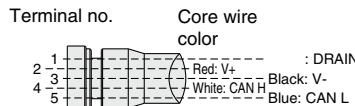
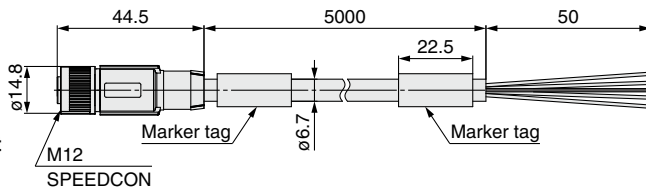
Connections

Item	Specifications
<b>Cable O.D.</b>	ø7 mm
<b>Conductor nominal cross section</b>	Power pair 0.3 mm <sup>2</sup> /AWG22
	Data pair 0.2 mm <sup>2</sup> /AWG24
<b>Wire O.D. (Including insulator)</b>	Power pair 1.5 mm
	Data pair 1.9 mm
<b>Min. bending radius (Fixed)</b>	60 mm

PCA-1557633  
(Socket)



Socket connector pin arrangement  
A-coded (Normal key)



Connections

Item	Specifications
<b>Cable O.D.</b>	ø6.7 mm
<b>Conductor nominal cross section</b>	Power pair 0.34 mm <sup>2</sup> /AWG22
	Data pair 0.25 mm <sup>2</sup> /AWG24
<b>Wire O.D. (Including insulator)</b>	Power pair 1.4 mm
	Data pair 2.05 mm
<b>Min. bending radius (Fixed)</b>	67 mm



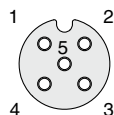
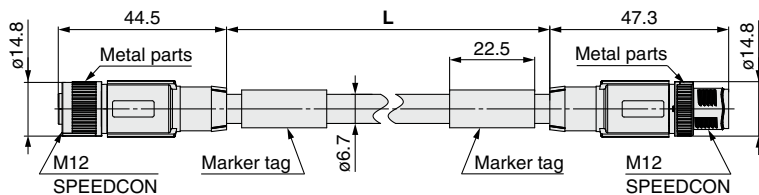
Made to Order

Cable length	10000 mm	p. 167
--------------	----------	--------

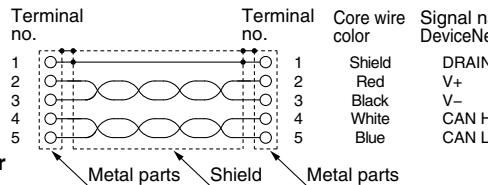
EX9-AC **005** DN-SSPS (With connector on both sides (Socket/Plug))

• Cable length (L)

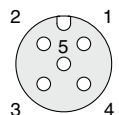
<b>005</b>	500 mm
<b>010</b>	1000 mm
<b>020</b>	2000 mm
<b>030</b>	3000 mm
<b>050</b>	5000 mm
<b>100</b>	10000 mm



Socket connector pin arrangement  
A-coded (Normal key)



Connections



Plug connector pin arrangement  
A-coded (Normal key)

Item	Specifications
<b>Cable O.D.</b>	ø6.7 mm
<b>Conductor nominal cross section</b>	Power pair 0.34 mm <sup>2</sup> /AWG22
	Data pair 0.25 mm <sup>2</sup> /AWG24
<b>Wire O.D. (Including insulator)</b>	Power pair 1.4 mm
	Data pair 2.05 mm
<b>Min. bending radius (Fixed)</b>	67 mm

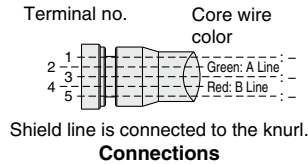
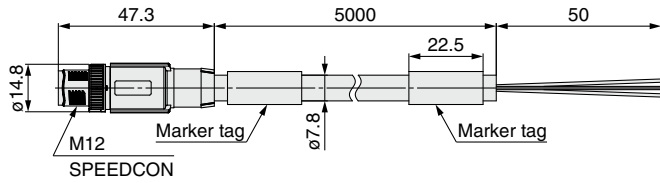
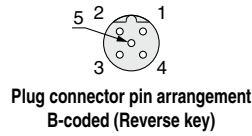


# EX250 Series

## ⑥ Communication Cable

### For PROFIBUS DP

**PCA-1557691**  
(Plug)



Item	Specifications
<b>Cable O.D.</b>	ø7.8 mm
<b>Conductor nominal cross section</b>	0.34 mm <sup>2</sup> /AWG22
<b>Wire O.D. (Including insulator)</b>	2.55 mm
<b>Min. bending radius (Fixed)</b>	78 mm

### For EtherNet/IP™

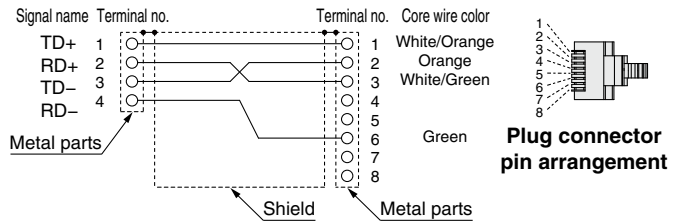
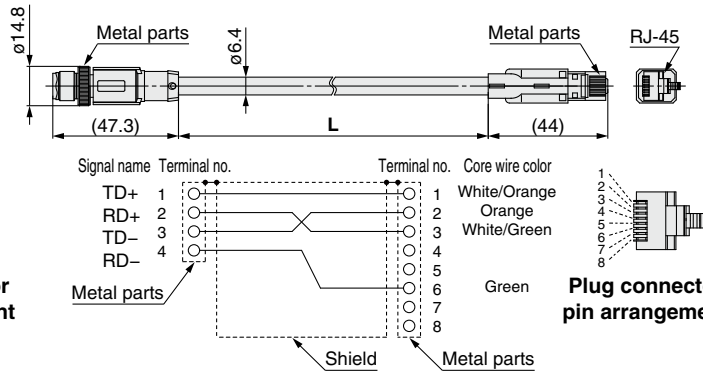
**EX9-AC 020 EN-PSRJ** (Plug/RJ-45 connector)

**Cable length (L)**

<b>010</b>	1000 mm
<b>020</b>	2000 mm
<b>030</b>	3000 mm
<b>050</b>	5000 mm
<b>100</b>	10000 mm



Plug connector pin arrangement  
D-coded



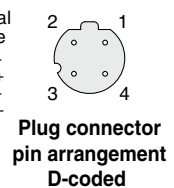
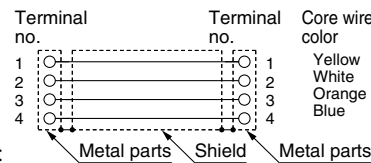
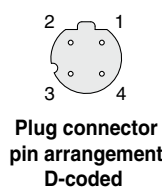
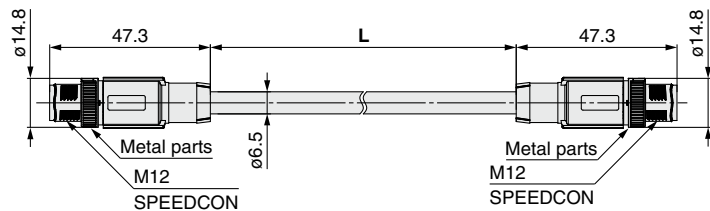
**Connections (Straight cable)**

Item	Specifications
<b>Cable O.D.</b>	ø6.4 mm
<b>Conductor nominal cross section</b>	0.14 mm <sup>2</sup> /AWG26
<b>Wire O.D. (Including insulator)</b>	0.98 mm
<b>Min. bending radius (Fixed)</b>	26 mm

**EX9-AC 005 EN-PSPS** (With connector on both sides (Plug/Plug))

**Cable length (L)**

<b>005</b>	500 mm
<b>010</b>	1000 mm
<b>020</b>	2000 mm
<b>030</b>	3000 mm
<b>050</b>	5000 mm
<b>100</b>	10000 mm



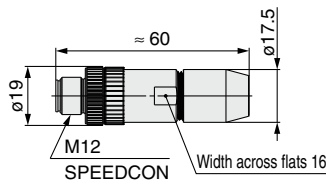
**Connections (Straight cable)**

Item	Specifications
<b>Cable O.D.</b>	ø6.5 mm
<b>Conductor nominal cross section</b>	0.34 mm <sup>2</sup> /AWG22
<b>Wire O.D. (Including insulator)</b>	1.55 mm
<b>Min. bending radius (Fixed)</b>	19.5 mm

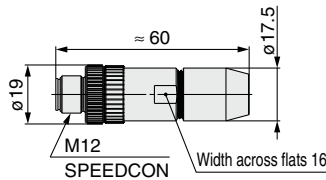
**7 Field-wireable Communication Connector**

**Plug**

For DeviceNet™  
For CANopen  
PCA-1075528



For PROFIBUS DP  
PCA-1075530

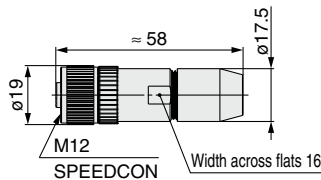


**Applicable Cable**

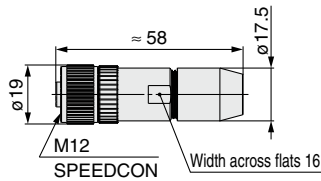
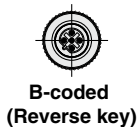
Item	Specifications
<b>Cable O.D.</b>	4.0 to 8.0 mm
<b>Wire gauge (Stranded wire cross section)</b>	0.14 to 0.75 mm <sup>2</sup> /AWG26 to 18 (Solid cable/Flexible cable) 0.08 to 0.5 mm <sup>2</sup> /AWG28 to 20 (With ferrule)

**Socket**

For DeviceNet™  
For CANopen  
PCA-1075529



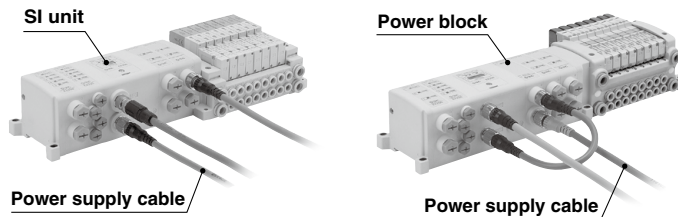
For PROFIBUS DP  
PCA-1075531



**Applicable Cable**

Item	Specifications
<b>Cable O.D.</b>	4.0 to 8.0 mm
<b>Wire gauge (Stranded wire cross section)</b>	0.14 to 0.75 mm <sup>2</sup> /AWG26 to 18 (Solid cable/Flexible cable) 0.08 to 0.5 mm <sup>2</sup> /AWG28 to 20 (With ferrule)

**8 Power Supply Cable (For SI unit/For power block)**



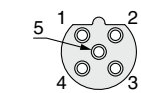
For DeviceNet™ For CANopen For Power block

**Straight connector type**

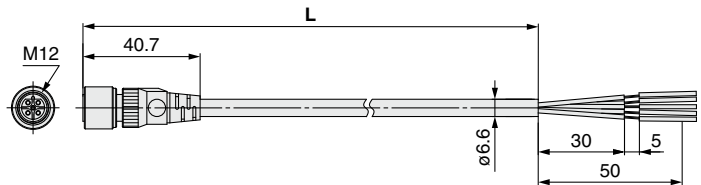
EX9-AC 050 -1

• Cable length (L)

010	1000 mm
030	3000 mm
050	5000 mm



Socket connector pin arrangement  
B-coded

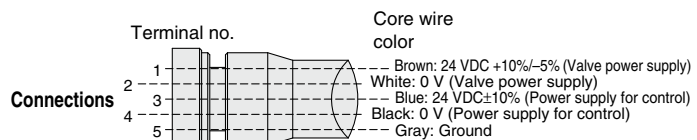


Item	Specifications
<b>Cable O.D.</b>	ø6.6 mm
<b>Conductor nominal cross section</b>	AWG22
<b>Wire O.D. (Including insulator)</b>	1.65 mm
<b>Min. bending radius (Fixed)</b>	40 mm



**Made to Order**

Cable length	10000 mm	p. 168
--------------	----------	--------



Type 1 EX260 EX123/124/126 EX500 EX600 EX245 EX250 EX120/121/122 EX140 EX180 EX510 M8/M12 ATEX

# EX250 Series

## ⑧ Power Supply Cable (For SI unit)

For PROFIBUS DP For EtherNet/IP™

EX500-AP **050** -S

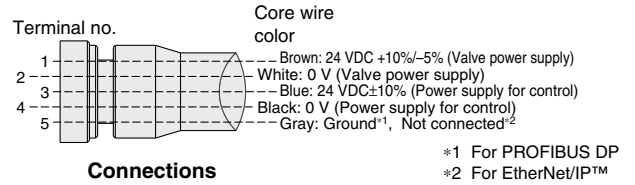
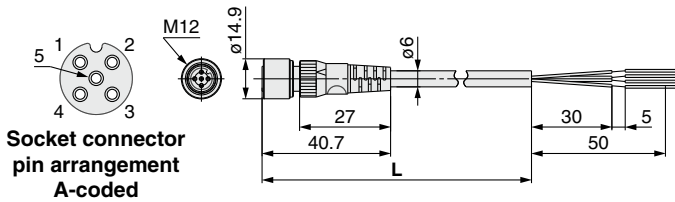
Cable length (L)

010	1000 mm
050	5000 mm

Connector specification

S	Straight
---	----------

### Straight connector type



Item	Specifications
Cable O.D.	ø6 mm
Conductor nominal cross section	0.3 mm <sup>2</sup> /AWG22
Wire O.D. (Including insulator)	1.5 mm
Min. bending radius (Fixed)	40 mm



Made to Order

Cable length	10000 mm	p. 169
--------------	----------	--------

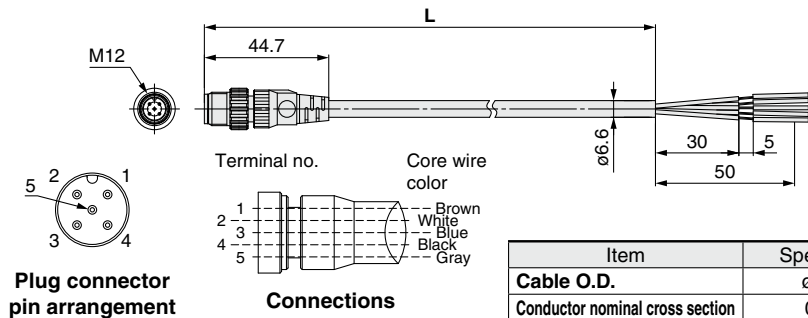
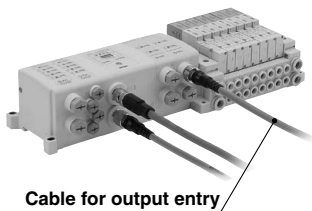
## ⑨ Cable for Output Entry

Connects the output block to the output device

EX9-AC **030** -7

Cable length (L)

010	1000 mm
030	3000 mm



Item	Specifications
Cable O.D.	ø6.6 mm
Conductor nominal cross section	0.3 mm <sup>2</sup>
Wire O.D. (Including insulator)	1.65 mm
Min. bending radius (Fixed)	40 mm

## ⑩ Seal Cap (10 pcs.)

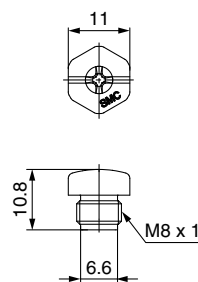
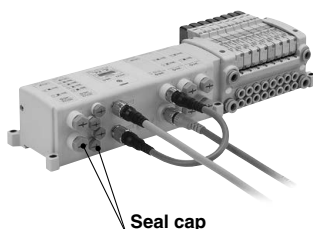
Use this on ports that are not being used for an M8 or M12 connector (socket). Use of this seal cap maintains the integrity of the enclosure. (Seal caps are packed together with each unit.)

\* Tighten the seal caps with the prescribed tightening torque. (For M8: 0.05 N·m, For M12: 0.1 N·m)

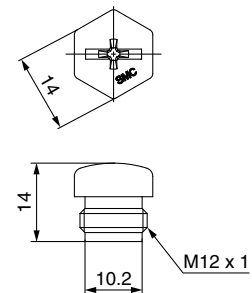
EX9-AW **ES**

Connector type

ES	M8 connector (For socket), 10 pcs.
TS	M12 connector (For socket), 10 pcs.



For M8 connector socket



For M12 connector socket

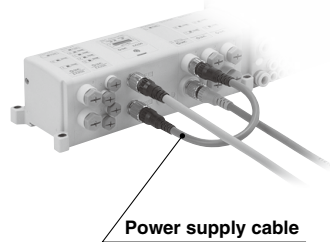
### ① Power Supply Cable (For connecting the SI unit to the power block)

Connects between the power supply connector for the power block and the SI unit power supply connector, bridging the external power supply, which is supplied with the power block, to the SI unit.

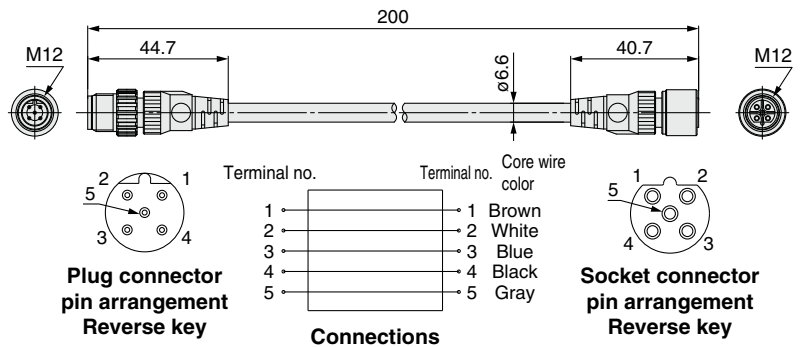
**EX9-AC002-2**

SI unit type

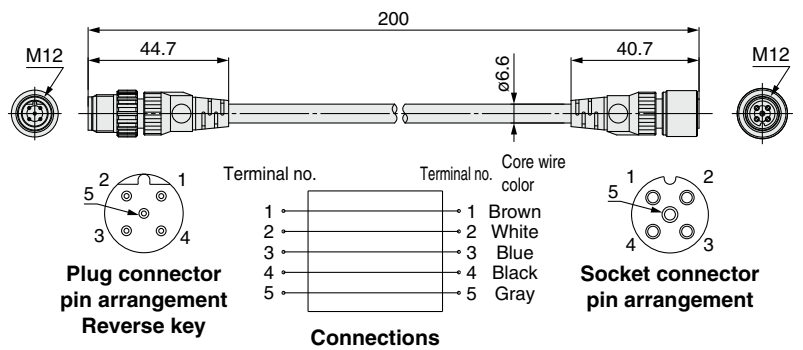
2	EX250-SDN1 EX250-SCA1A	Compliant
3	EX250-SPR1 EX250-SEN1	Compliant
4	EX250-SAS3/5	Compliant



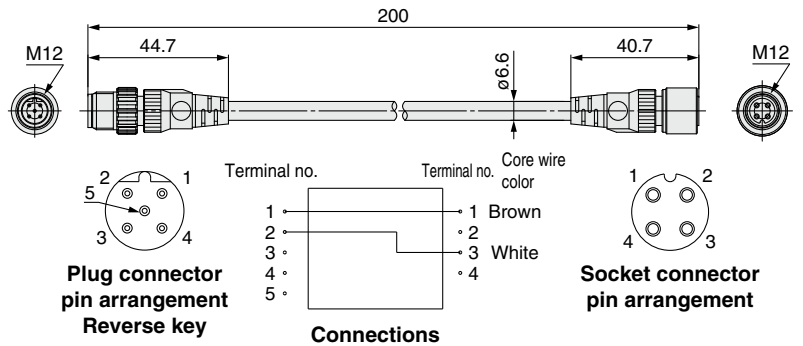
**EX9-AC002-2**



**EX9-AC002-3**



**EX9-AC002-4**



Item	Specifications
Cable O.D.	ø6.6 mm
Conductor nominal cross section	0.3 mm <sup>2</sup>
Wire O.D. (Including insulator)	1.65 mm
Min. bending radius (Fixed)	40 mm

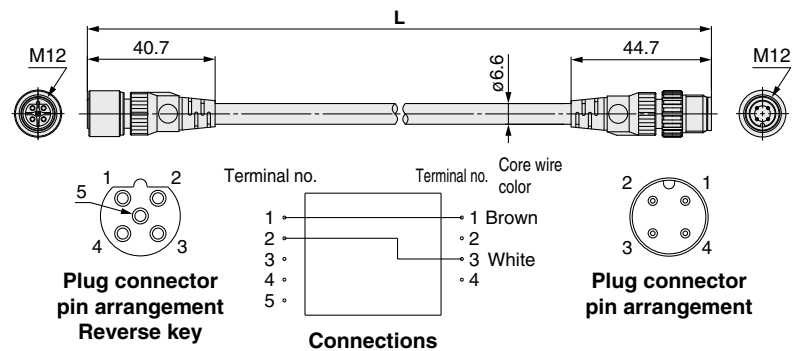
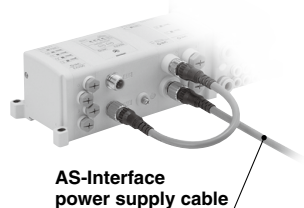
### ② AS-Interface Power Supply Cable

Cable connecting between AS-Interface power supply line (for external devices) branch connector (M12) and the power block's power supply input connector.

**EX9-AC 010 -5**

Cable length (L)

010	1000 mm
030	3000 mm
050	5000 mm



Item	Specifications
Cable O.D.	ø6.6 mm
Conductor nominal cross section	0.3 mm <sup>2</sup>
Wire O.D. (Including insulator)	1.65 mm
Min. bending radius (Fixed)	40 mm

Type 1	EX260
Type 1	EX123/124/126
Type 2	EX500
Type 2	EX600
Type 2	EX600
Type 3	EX245
Type 3	EX250
Type 1	EX120/121/122
Type 1	EX140
Type 1	EX180
Type 2	EX510
Type 2	M8/M12
Type 2	ATEX

# EX250 Series Made to Order

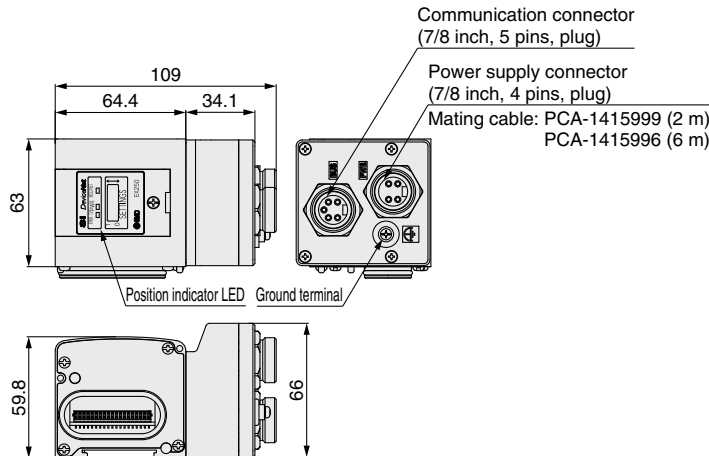
Please contact SMC for detailed specifications and lead times.

## SI Unit

Prepare the SI unit, each type of block, and the manifold valve (without SI unit) separately, and combine them before use.

- ① DeviceNet™, 7/8 inch connector,  
32 inputs/32 outputs  
(Occupied points: 48 inputs (32 inputs + diagnostic 16 inputs)/32 outputs)

### EX250-SDN1-X122



#### Power supply connector

1	24 VDC +10%/-5% (For valve)
2	Unused
3	FE
4	0 VDC (For valve)

#### Communication connector

1	DRAIN
2	V+
3	V-
4	CAN H
5	CAN L

\* When connecting to a VQC4000 series model, use a VVQC4000-3A-3□, etc., D side end plate. The VVQC4000-3A-2□ D side end plate used by the standard EX250-SDN1 model cannot be used as it will come into contact with the EX250-SDN1-X122.

## Communication Cable

- ① With connector on one side (Socket)  
Cable length: 10000 mm

### For DeviceNet™

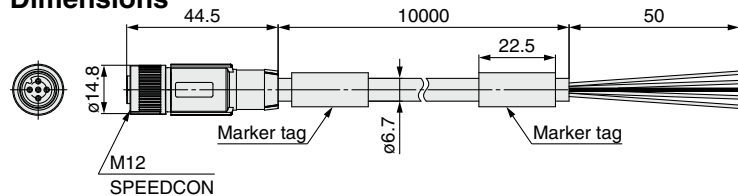
### EX9-AC100 DN-X12

Applicable  
protocol

DN	DeviceNet™
----	------------

### For DeviceNet™

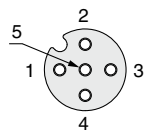
#### Dimensions



#### Connections

Terminal no.	Core wire color: Signal name (DeviceNet™)
1	Shield: DRAIN
2	Red: V+
3	Black: V-
4	White: CAN H
5	Blue: CAN L

Item		Specifications
<b>Cable O.D.</b>		ø6.7 mm
<b>Conductor nominal cross section</b>	Power pair	0.34 mm <sup>2</sup> /AWG22
	Data pair	0.25 mm <sup>2</sup> /AWG24
<b>Wire O.D. (Including insulator)</b>	Power pair	1.4 mm
	Data pair	2.05 mm
<b>Min. bending radius (Fixed)</b>		67 mm



Socket connector  
pin arrangement  
A-coded (Normal key)



<b>ATEX</b>	<b>M8/M12</b>	<b>Type 2</b>			<b>Type 1</b>			<b>Type 3</b>			<b>Type 2</b>		<b>Type 1</b>	
		<b>EX510</b>	<b>EX180</b>	<b>EX140</b>	<b>EX120/121/122</b>	<b>EX250</b>	<b>EX245</b>	<b>EX600</b>	<b>EX500</b>	<b>EX123/124/126</b>	<b>EX260</b>			

# EX250 Series

## Power Supply Cable

② With connector on one side (Socket)

Cable length: 10000 mm

For PROFIBUS DP

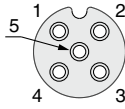
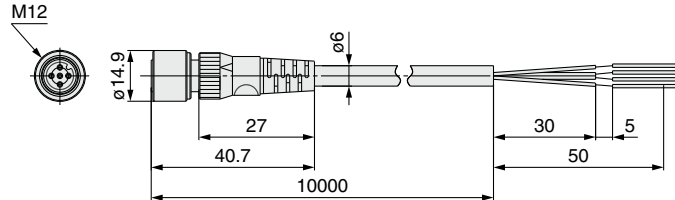
For EtherNet/IP™

Straight connector type

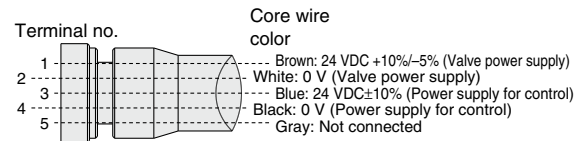
EX500-AP100-S-X1

Connector specification

**S** Straight



Socket connector  
pin arrangement  
A-coded



Connections (PROFIBUS DP, EtherNet/IP™)

Item	Specifications
<b>Cable O.D.</b>	ø6 mm
<b>Conductor nominal cross section</b>	0.3 mm <sup>2</sup> /AWG22
<b>Wire O.D. (Including insulator)</b>	1.5 mm
<b>Min. bending radius (Fixed)</b>	40 mm



# EX250 Series Specific Product Precautions

Be sure to read this before handling the products. Refer to page 277 for safety instructions. For fieldbus system precautions, refer to pages 278 to 280 and the "Operation Manual" on the SMC website: <http://www.smcworld.com>

## When one AS-Interface power supply system is used

### ⚠ Caution

		EX250-SAS7	EX250-SAS9
Power supply voltage		Supplied from AS-Interface circuit, 26.5 to 31.6 VDC*1	
Internal current consumption		Max. 100 mA	Max. 65 mA
Input/output specification	Number of inputs	8	4
	Number of outputs	8	4
	Supply voltage	24 VDC	
	Supply current*2	Max. 240 mA	Max. 120 mA

- \*1 For communication power supply, use a power supply dedicated to AS-Interface. For details, please refer to operation manuals provided by the respective manufacturers.
- \*2 The AS-Interface circuit provides current to the internal parts of the SI unit and all connected equipment. Since there is a limit on the possible supply current to all connected equipment, select the equipment connected to the input/output device to stay within the possible supply current.

Example) When EX250-SAS9 is used

Valve: VQC1100NY – 5 (low-wattage type of 0.5 W) x 4 pcs.  
 $0.5 \text{ [W]} \div 24 \text{ [V]} \times 4 \text{ [pcs.]}$   
 $= 84 \text{ [mA]} \text{ (4 outputs simultaneously ON)}$

The maximum possible supply current of EX250-SAS9 is 120 mA. Therefore, the possible supply current to the sensor is  
 $120 \text{ [mA]} - 84 \text{ [mA]} = 36 \text{ [mA]}$

Use of low-wattage type valves by minimizing the maximum number of simultaneous outputs, and low current consumption sensors (2-wire sensor, etc.) is recommended.

## Maximum number of AS-Interface compatible input blocks

SI unit specifications		Input block type		Input block maximum stations
EX250-SAS3	AS-Interface 8in/8out 31 Slave Mode, 2 power supply systems	1	M12/2 inputs	4 stations
		2	M12/4 inputs	2 stations
		3	M8/4 inputs	2 stations
EX250-SAS5	AS-Interface 4in/4out 31 Slave Mode, 2 power supply systems	1	M12/2 inputs	2 stations
		2	M12/4 inputs	1 station
		3	M8/4 inputs	1 station
EX250-SAS7	AS-Interface 8in/8out 31 Slave Mode, 1 power supply system	1	M12/2 inputs	4 stations
		2	M12/4 inputs	2 stations
		3	M8/4 inputs	2 stations
EX250-SAS9	AS-Interface 4in/4out 31 Slave Mode, 1 power supply system	1	M12/2 inputs	2 stations
		2	M12/4 inputs	1 station
		3	M8/4 inputs	1 station

## Operating Environment

### ⚠ Caution

#### 1. Select the proper type of enclosure according to the environment of operation.

IP65 is achieved when the following conditions are met.

- 1) Provide appropriate wiring between all units using electrical wiring cables, communication connectors and cables with M12 connectors.
- 2) Suitable mounting of each unit and valve manifold.
- 3) Be sure to mount a seal cap on any unused connectors. If using in an environment that is exposed to water splashes, please take measures such as using a cover.

Type 1	EX260
	EX123/124/126
Type 2	EX500
	EX600
Type 3	EX245
	EX250
Type 1	EX120/121/122
	EX140
	EX180
Type 2	EX510
	M8/M12
	ATEX

#### ■ Trademark

Modbus® is a registered trademark of Schneider Electric, licensed to the Modbus Organization, Inc.  
 DeviceNet™ is a trademark of ODVA.  
 EtherNet/IP™ is a trademark of ODVA.  
 QuickConnect™ is a trademark of ODVA.