

# Fieldbus System (GW System, 4 Branches)

## EX510 Series

### Compatible Protocols

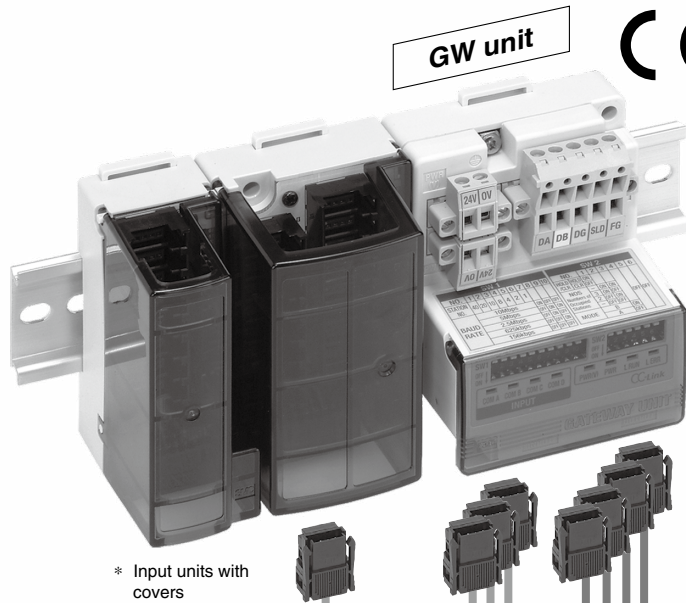
CC-Link DeviceNet™

PROFIBUS®

Made to Order

EtherNet/IP™

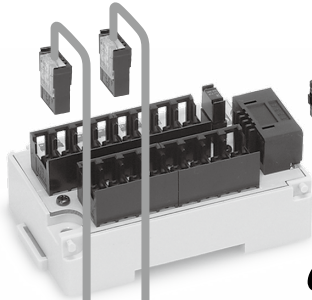
PROFIBUS®



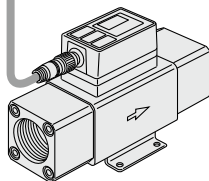
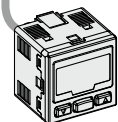
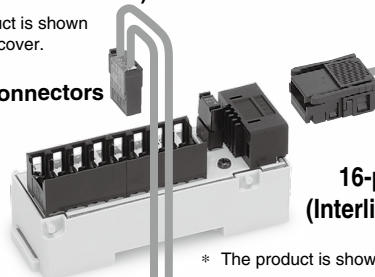
\* Only the SJ valve is UL-compliant.



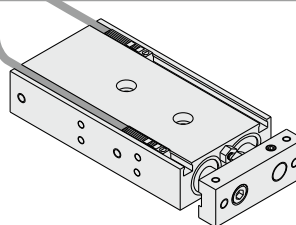
### e-CON connectors



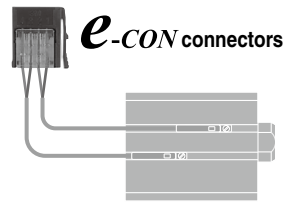
### e-CON connectors



**Input device**

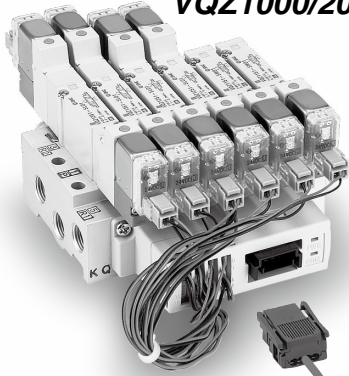


Two 2-wire auto switches can be connected to a single connector.

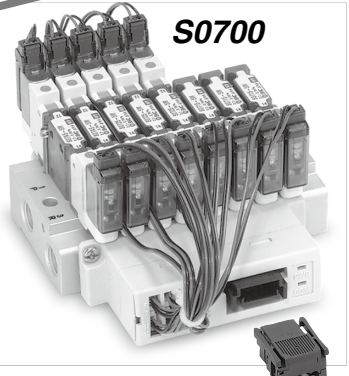


Manifold valve  
with SI unit

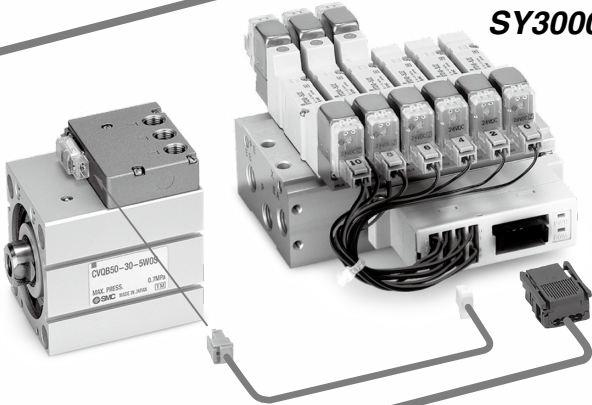
**VQZ1000/2000/3000**



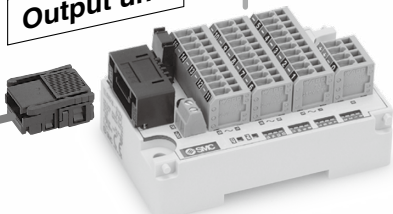
**S0700**



**SY3000/5000/7000/9000**

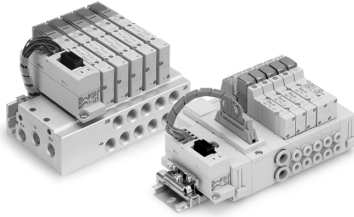


Output unit

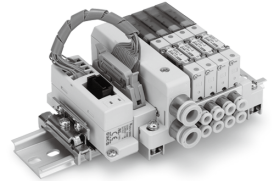


## Manifold Solenoid Valves

**SY3000/5000 (Plug-in)**



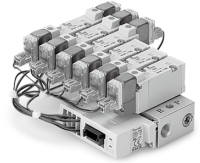
**S0700 (Plug-in)**



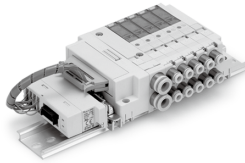
**VQZ1000/2000/3000**



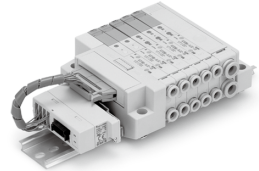
**SYJ3000/5000/7000**



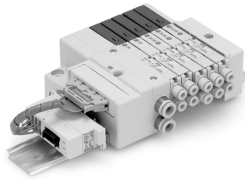
**SJ2000/3000**



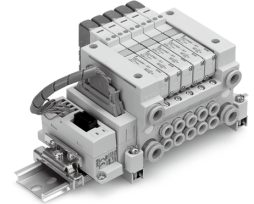
**SZ3000**



**SQ1000/2000**



**VQ1000/2000**



### Output equipment

Valves, indicator lights, relays, buzzers, etc., can be connected.

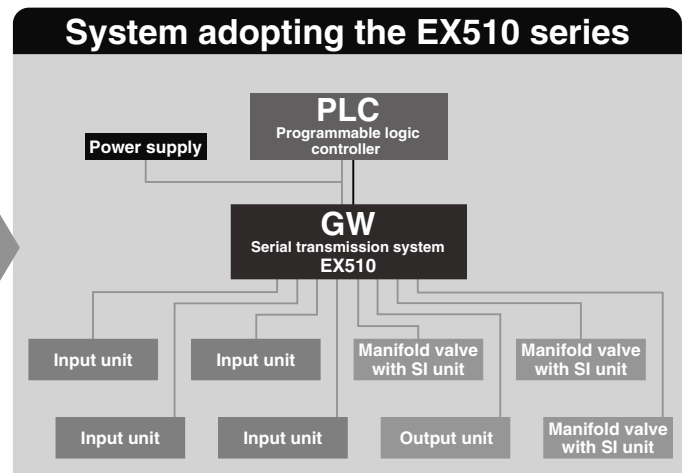
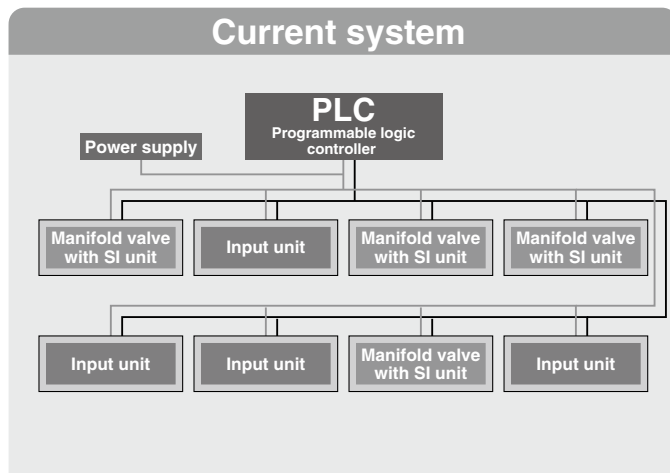


**2-port solenoid valve**



|        |               |
|--------|---------------|
| Type 1 | EX260         |
| Type 2 | EX123/124/126 |
| Type 3 | EX500         |
| Type 1 | EX600         |
| Type 2 | EX245         |
| Type 3 | EX250         |
| Type 1 | EX120/121/122 |
| Type 2 | EX140         |
| Type 3 | EX180         |
| Type 1 | EX510         |
| Type 2 | M8/M12        |
| Type 3 | ATEX          |

# Features of the EX510 Series



## Feature 1 More valves and sensors can be connected.

- By adopting the **EX510** series, it is possible to connect more valves and sensors.

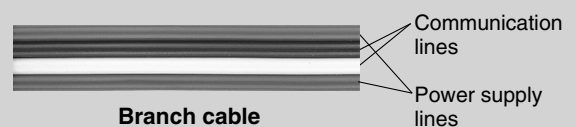
| Compatible protocol | Current SI unit model            |
|---------------------|----------------------------------|
| CC-Link             | 3 master stations<br>3 manifolds |
| DeviceNet™          | 1 node 1 manifold                |
| PROFIBUS DP         | 1 node 1 manifold                |

| Compatible protocol | EX510 series   |
|---------------------|--|
| CC-Link             | <b>3 master stations<br/>4 manifolds/4 input units</b> |
| DeviceNet™          | <b>1 node 4 manifolds/4 input units</b>                |
| PROFIBUS DP         | <b>1 node 4 manifolds/4 input units</b>                |

## Feature 2 Connector cables (including the power supply cable) allow for reduced wiring.

- A power supply cable for each slave unit was required in the past.

- For the **EX510** series, only a power supply cable to the GW unit is required. Connected to each unit is a branch cable which combines the cables for communication and power supply.



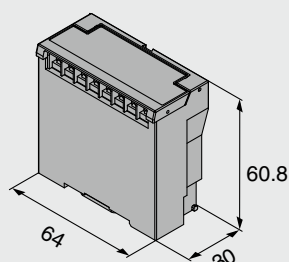
## Feature 3 There is no need to set the address for the SI units, output units, or input units.

- Setting the address for each unit was required in the past.

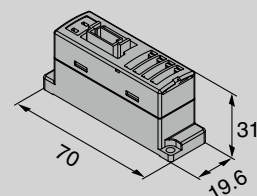
- It is okay to set the address for the **GW** unit only.

## Feature 4 Compact SI unit

- The SI unit which connects output devices, such as solenoid valves, has a compact design compared with the current model. (Compactness: volume ratio reduced by 60% or more)



Current model (EX120 series)



EX510 series

## Feature 5 Allows for the easy change of Fieldbusses

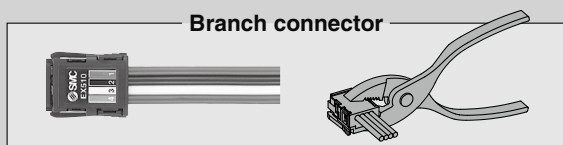
• In the past, all the part numbers of slave units needed to be changed by returning them to the manufacturer and reordering (re-estimate, redelivery) them.



• For the EX510 series, only the GW unit needs to be changed.

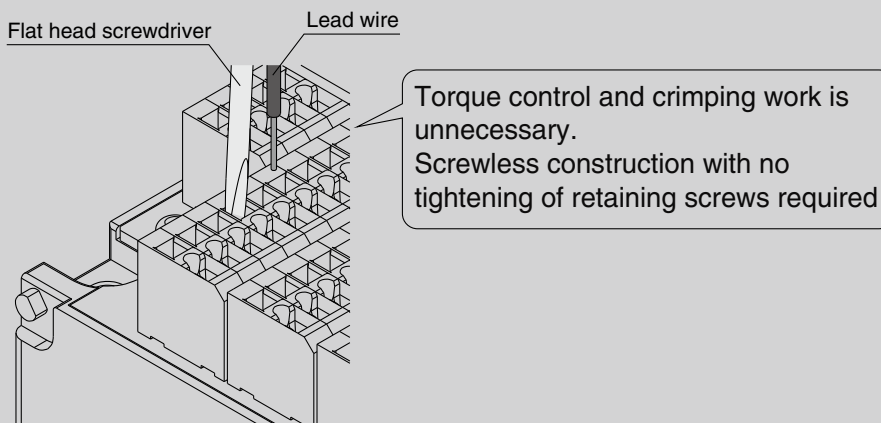
## Feature 6 Adopts connectors which do not require any special tools for installation

No special tools are required for press-fitting the connectors for branch cable connections or for the e-con connectors for sensor connections.



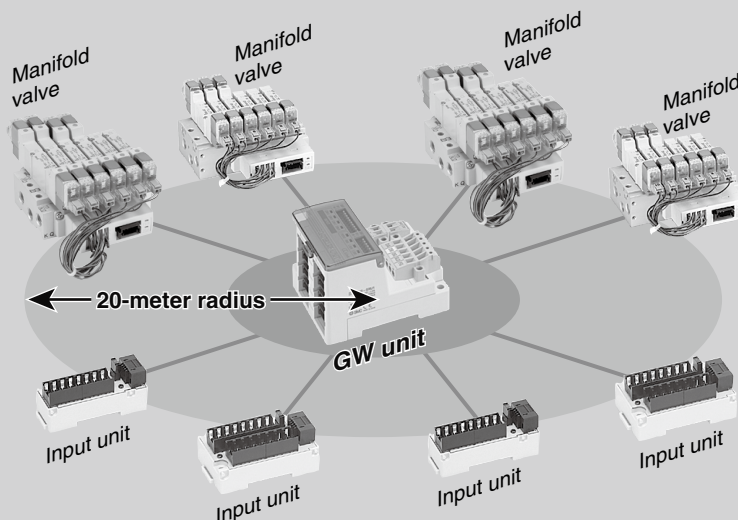
**No need to strip the wires** Only pliers are required for clamping.

The output unit adopts a spring type terminal box, eliminating the need to tighten any retaining screws.



## Feature 7 Cable lengths of up to 20 meters are available.

Various units can be connected within a radius of 20 meters around the GW unit.



|        |               |
|--------|---------------|
| Type 1 | EX260         |
| Type 2 | EX500         |
| Type 3 | EX600         |
|        | EX245         |
|        | EX250         |
| Type 1 | EX140         |
|        | EX120/121/122 |
| Type 2 | EX180         |
|        | EX510         |
|        | M8/M12        |
|        | ATEX          |

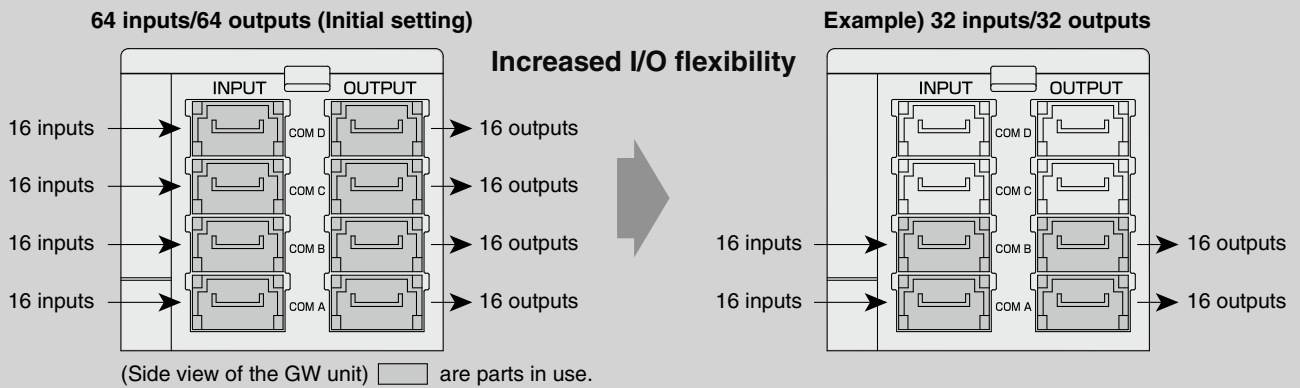


## Feature 8 Delay in transmission of 1 ms or less

The delay in transmission between the GW unit and SI units/output units/input units is 1 ms or less.

## Feature 9 Increased I/O flexibility

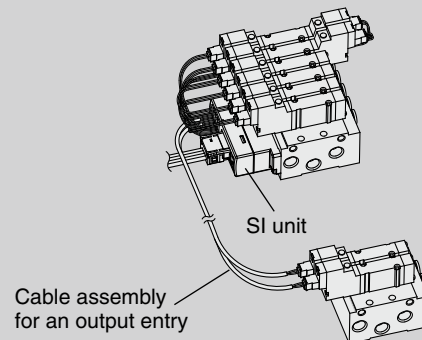
The occupying number of points in the GW unit can be configured flexibly by setting a switch.



\* Setting is different depending on the respective protocol. Refer to the specifications for details.

## Feature 10 Effective use made of the unused points of the SI unit

Valves which are independent from the manifold can be converted to serial transmission without purchasing new SI units.

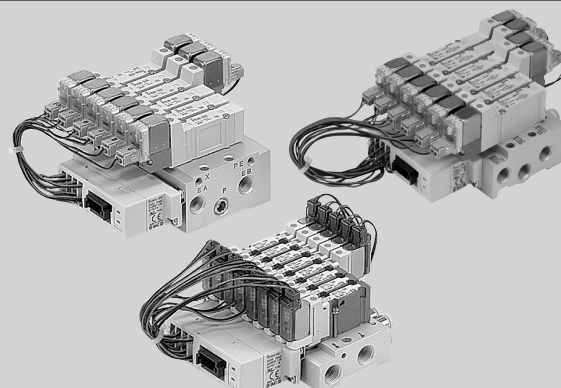
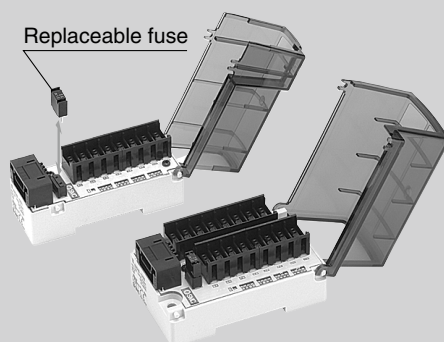


## Feature 11 Protection

Each unit is protected against short-circuits from power supply loads.

Input/output unit fuses are replaceable.

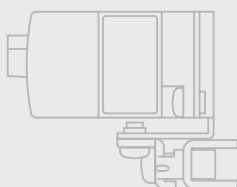
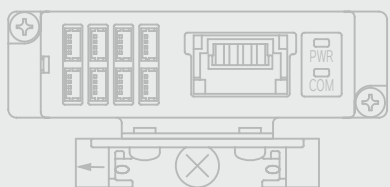
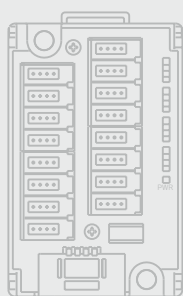
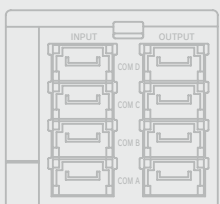
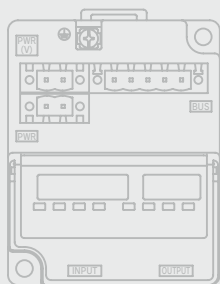
The short-circuit protection is integrated into the SI unit.



# CONTENTS

## Type 2 Gateway type

### Fieldbus System (GW System, 4 Branches) EX510 Series



### Composition ..... p. 195

#### GW Unit

|                                     |        |
|-------------------------------------|--------|
| How to Order .....                  | p. 196 |
| Specifications .....                | p. 196 |
| Dimensions .....                    | p. 196 |
| Parts Description .....             | p. 197 |
| LED Indicator .....                 | p. 198 |
| Internal Circuit .....              | p. 199 |
| Flexible I/O Setting Examples ..... | p. 200 |

#### SI Unit

|   |        |
|---|--------|
| How to Order .....                          | p. 201 |
| Specifications .....                        | p. 201 |
| Dimensions .....                            | p. 201 |
| Parts Description/LED Indicator .....       | p. 202 |
| Internal Circuits and Wiring Examples ..... | p. 203 |

#### Input Unit

|   |        |
|---|--------|
| How to Order .....                          | p. 204 |
| Specifications .....                        | p. 204 |
| Dimensions .....                            | p. 204 |
| Parts Description/LED Indicator .....       | p. 205 |
| Internal Circuits and Wiring Examples ..... | p. 206 |

#### Output Unit

|   |        |
|---|--------|
| How to Order .....                          | p. 208 |
| Specifications .....                        | p. 208 |
| Dimensions .....                            | p. 208 |
| Parts Description/LED Indicator .....       | p. 209 |
| Internal Circuits and Wiring Examples ..... | p. 209 |
| Connection to Output Equipment .....        | p. 211 |
| Direct Operated 2-Port Solenoid Valve ..... | p. 211 |

#### Accessories

|                                       |        |
|---------------------------------------|--------|
| ① Branch Cable .....                  | p. 212 |
| ② Branch Connector (Unit 1 pc.) ..... | p. 212 |
| ③ Cable Assembly for Outputting ..... | p. 212 |
| ④ e-con Connector .....               | p. 212 |
| ⑤ Replacement Fuse .....              | p. 213 |

#### Ordering Examples ..... p. 213

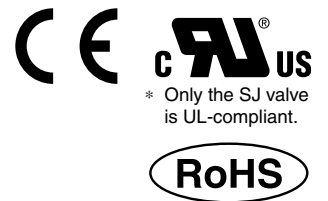
#### Made to Order

|                                 |        |
|---------------------------------|--------|
| ① EtherNet/IP™ compatible ..... | p. 214 |
| ② PROFINET compatible .....     | p. 214 |

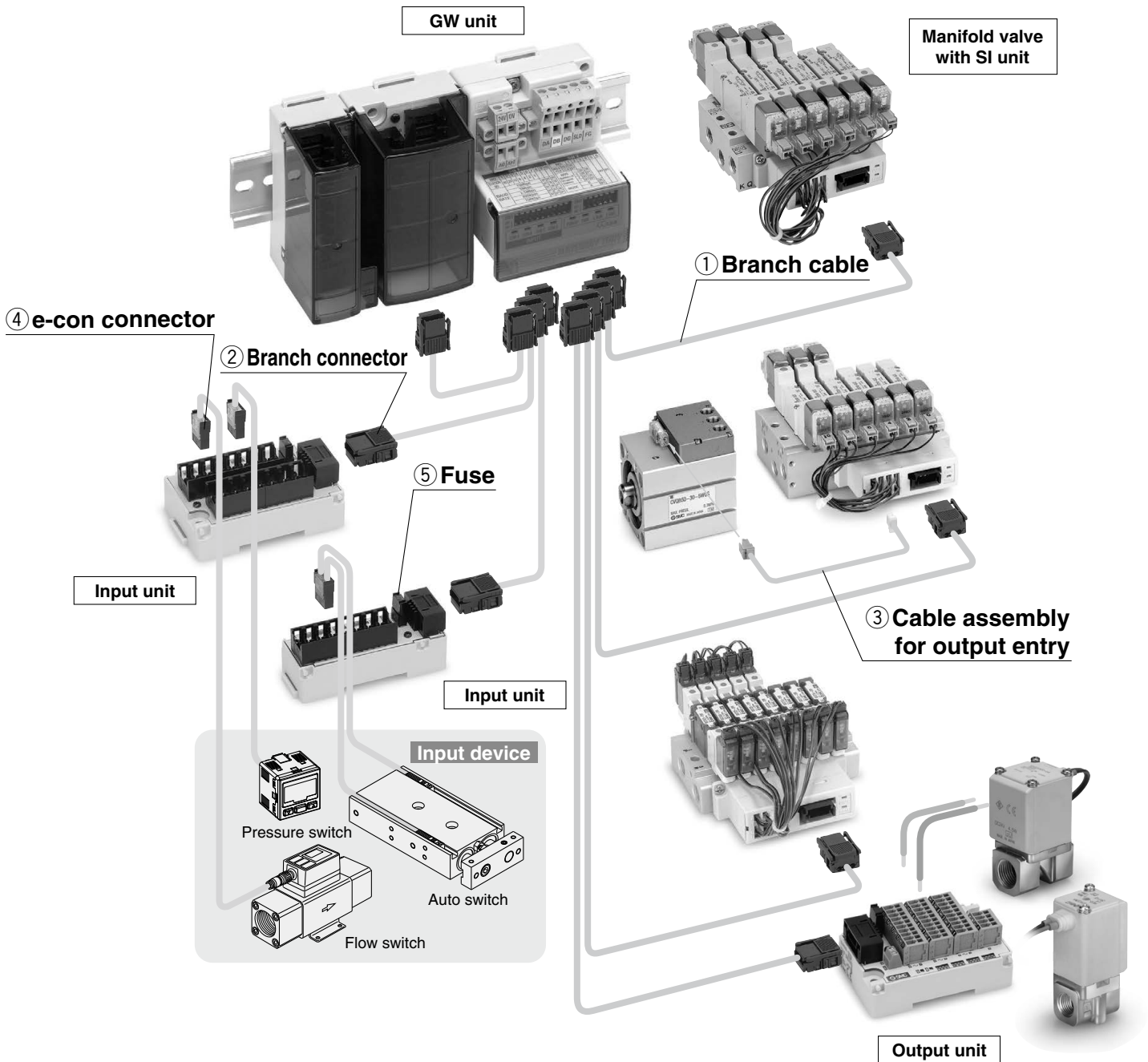
#### Specific Product Precautions ..... p. 215

|        |               |
|--------|---------------|
| Type 1 | EX260         |
| Type 1 | EX123/124/126 |
| Type 2 | EX500         |
| Type 3 | EX600         |
| Type 3 | EX245         |
| Type 3 | EX250         |
| Type 1 | EX120/121/122 |
| Type 1 | EX140         |
| Type 1 | EX180         |
| Type 2 | EX510         |
| Type 2 | M8/M12        |
| Type 2 | ATEX          |

# Fieldbus System GW System, 4 Branches *EX510 Series*

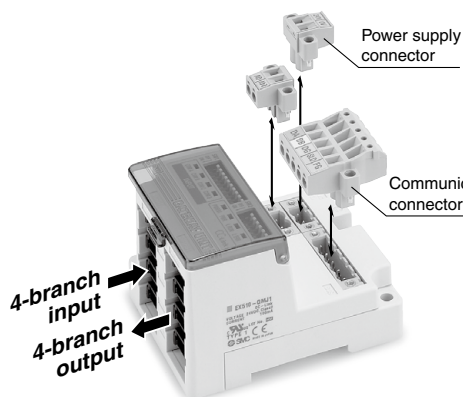


## Composition



How to Order

GW Unit



EX510-G MJ1 -

Protocol

|     |             |
|-----|-------------|
| MJ1 | CC-Link     |
| DN1 | DeviceNet™  |
| PR1 | PROFIBUS DP |

Made to Order (Refer to page 214.)

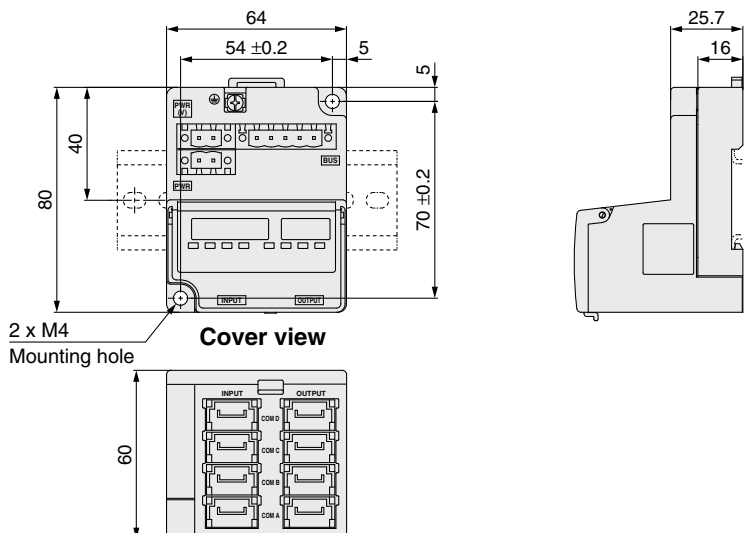
|  |
|--|
| EtherNet/IP™ compatible, 64 outputs (16 inputs 4-branch) |
| PROFINET compatible, 64 outputs (16 inputs 4-branch)     |

Specifications

| Model  |                                      | EX510-GMJ1   | EX510-GDN1  | EX510-GPR1   |
|--|--------------------------------------|--|---|--|
| Communication  | Applicable system                    | CC-Link  | DeviceNet™  | PROFIBUS DP  |
|  | Protocol Version*1                   | Ver. 1.10  | Release 2.0   | DP-V0  |
|  | Communication speed                  | 156 k/625 k/2.5 M/5 M/10 Mbps  | 125 k/250 k/500 kbps  | 9.6 k/19.2 k/45.45 k/93.75 k/187.5 k/500 k/1.5 M/3 M/6 M/12 Mbps                         |
|  | Configuration file*2                 | CSP+ file  | EDS file  | GSD file   |
|  | I/O occupation area (Inputs/Outputs) | 96/96<br>(3 stations, remote device station)<br>* Possible to change depending on the switch setting | 64/64<br>* Possible to change depending on the switch setting   |  |
| Power supply voltage   | Terminating resistor                 | Not provided   |   | Provided   |
|  | For unit                             | 24 VDC ±10%  | 11 to 25 VDC<br>(Supplied by DeviceNet™ circuit, 50 mA or less) | 24 VDC ±10%  |
|  | For sensors                          |  | 24 VDC ±10%   |  |
| For valve  | 24 VDC ±10%/−5%                      |  |   |  |
| Internal current consumption 100 mA or less (single GW unit) |                                      |  |   |  |
| Input  | Number of inputs                     | 64 inputs (16 inputs x 4 branches) * Possible to change depending on the switch setting              |   |  |
|  | Connection input device              | The EX510 series input unit (connection from communication port A to D)                              |   |  |
|  | Supply voltage                       | 24 VDC   |   |  |
| Output   | Supply current                       | Max. 4 A (Max. 1 A per branch)   |   |  |
|  | Number of outputs                    | 64 outputs (16 outputs x 4 branches) * Possible to change depending on the switch setting            |   |  |
|  | Connection output device             | The EX510 series SI unit manifold and output unit (connection from communication port A to D)        |   |  |
|  | Supply voltage                       | 24 VDC   |   |  |
| Branch cable length  | Supply current                       | Max. 6 A (Max. 1.5 A per branch)   |   |  |
|  | Branch cable length                  | 20 m or less   |   |  |
|  | Enclosure                            | IP20   |   |  |
| Environmental resistance                                     | Operating temperature range          | −10 to 50°C  |   |  |
|  | Operating humidity range             | 35 to 85%RH (No condensation)  |   |  |
|  | Withstand voltage                    | 500 VAC for 1 minute between whole external terminal and FG  |   |  |
|  | Insulation resistance                | 10 MΩ or more (500 VDC) between whole external terminal and FG                                       |   |  |
| Standards CE marking, UL (CSA)                               |                                      |  |   |  |
| Weight 160 g (including accessories)                         |                                      |  |   |  |
| Accessory  |                                      | Communication connector 1 pc., Power supply connector 2 pcs.   |   | Communication connector 1 pc., Power supply connector 2 pcs., Terminating resistor 1 pc. |

\*1 Please note that the version is subject to change.  
\*2 The setting file can be downloaded from SMC website, <http://www.smcworld.com>  
\* For detailed specifications other than the above, refer to the operation manual that can be downloaded from SMC website, <http://www.smcworld.com>

Dimensions

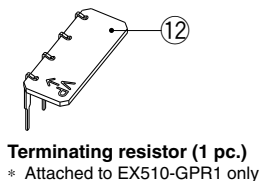
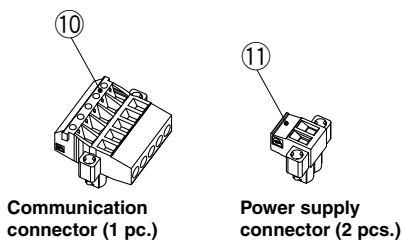
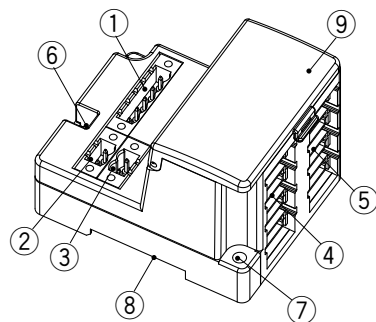


|        |               |
|--------|---------------|
| Type 1 | EX140         |
| Type 2 | EX510         |
| Type 2 | EX180         |
| Type 2 | EX120/121/122 |
| Type 3 | EX245         |
| Type 3 | EX250         |
| Type 3 | EX600         |
| Type 3 | EX600         |
| Type 3 | EX500         |
| Type 3 | EX123/124/126 |
| Type 3 | EX260         |
| Type 3 | M8/M12        |
| Type 3 | ATEX          |

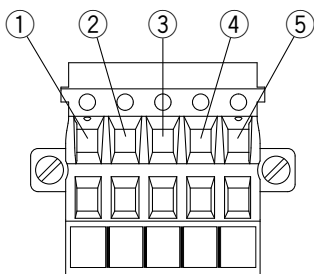


# EX510 Series

## Parts Description



### Accessories



### GW Unit

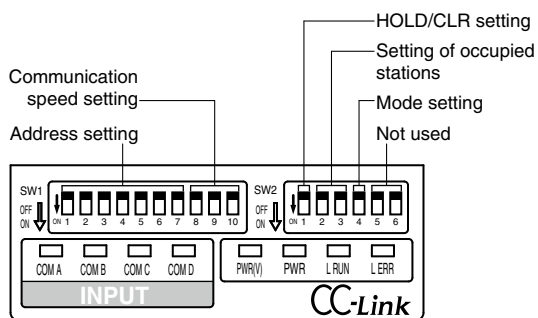
| No. | Description  | Applications  |
|-----|--|---|
| 1   | <b>Communication socket (BUS)</b>                    | For connecting with a network, using the communication connector (⑩), which is part of the accessories                |
| 2   | <b>Power supply socket (PWR(V))</b>                  | Supplies power for output devices, which have a power supply connector (⑪), such as a solenoid valve                  |
| 3   | <b>Power supply socket (PWR)</b>                     | Supplies power for input devices, which have a power supply connector (⑪), such as a sensor                           |
| 4   | <b>Branch connector (for input) on GW unit side</b>  | Connects input units, etc., using a branch cable (EX510-FC□□)   |
| 5   | <b>Branch connector (for output) on GW unit side</b> | Connects the SI unit (manifold valves) etc., using the branch cable (EX510-FC□□)                                      |
| 6   | <b>FG terminal</b>                                   | Used for grounding  |
| 7   | <b>Mounting hole</b>                                 | Used for mounting the unit with two M4 screws   |
| 8   | <b>Mounting groove for DIN rail</b>                  | Used for mounting the unit to a DIN rail  |
| 9   | <b>Display, Switch setting part</b>                  | Displays the LED corresponding to the unit's condition, address setting, and the communication speed for the switches |
| 10  | <b>Communication connector</b>                       | Used for connecting the network cable   |
| 11  | <b>Power supply connector</b>                        | Used for connecting the power supply cable  |
| 12  | <b>Terminating resistor</b>                          | Connects the terminating resistor to both ends of a unit in the transmission line                                     |

### Communication Connector Pin Assignment

| Part no.          | Communication protocol | Pin assignment and the corresponding wire color |                   |             |                 |          |
|-------------------|------------------------|---|-------------------|-------------|-----------------|----------|
|                   |                        | ①   | ②                 | ③           | ④               | ⑤        |
| <b>EX510-GMJ1</b> | CC-Link                | DA (Blue)                                       | DB (White)        | DG (Yellow) | SLD             | FG       |
| <b>EX510-GDN1</b> | DeviceNet™             | V- (Black)                                      | CAN_L (Blue)      | Drain       | CAN_H (White)   | V+ (Red) |
| <b>EX510-GPR1</b> | PROFIBUS DP            | VP  | RxD/TxD-N (Green) | DGND        | RxD/TxD-P (Red) | SHIELD   |

## LED Indicator

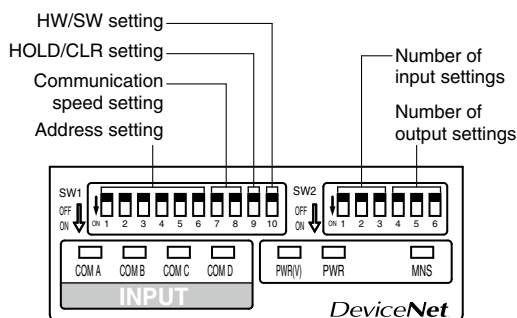
### EX510-GMJ1 (CC-Link)



| Display           | Contents  | Indicator light condition  |
|-------------------|---|--|
| <b>PWR(V)</b>     | The output power supply voltage is supplied as specified.<br>The output power supply voltage is not supplied as specified.  | Light is turned on.<br>Light is turned off.  |
| <b>PWR</b>        | When the input and the power for the gateway is being supplied<br>When the input and the power for the gateway is not being supplied  | Light is turned on.<br>Light is turned off.  |
| <b>L RUN</b>      | When transmission is working properly<br>When transmission is interrupted   | Light is turned on.<br>Light is turned off.  |
| <b>L ERR</b>      | When there is an error in the transmission<br>When setting the station number while being energized<br>When the transmission speed setting switch is changed<br>When the transmission is working properly | Light is turned on.<br>Light is turned on.<br>(Blinks at 0.4 second intervals)<br>Light is turned off. |
| <b>COM A to D</b> | When COM A to D are receiving data<br>When COM A to D are not receiving data  | Light is turned on.*1<br>Light is turned off.  |

\*1 Input unit (Input device) is connected and will illuminate when communication is working properly.

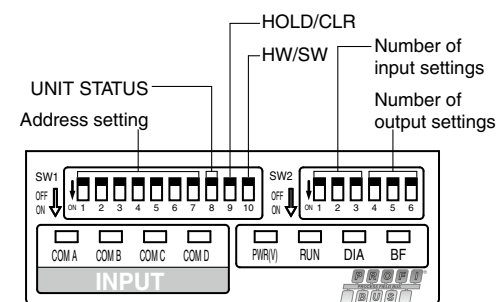
### EX510-GDN1 (DeviceNet™)



| Display           | Contents   | Indicator light condition  |
|-------------------|--|--|
| <b>PWR(V)</b>     | The output power supply voltage is supplied as specified.<br>The output power supply voltage is not supplied as specified.   | Light is turned on.<br>Light is turned off.  |
| <b>PWR</b>        | When the input and the power for the gateway is being supplied<br>When the input and the power for the gateway is not being supplied   | Light is turned on.<br>Light is turned off.  |
| <b>MNS</b>        | When the power supply is OFF, off-line, or checking the MAC ID duplication<br>When I/O connection is on stand by (On-line state)<br>I/O connection installation is completed (On-line state)<br>I/O connection, time-out (communication irregularity in light degrees)<br>MAC ID duplication error, or BUS OFF error (communication error in serious conditions) | Light is turned off.<br>Green light blinks.<br>Green light is turned on.<br>Red light blinks.<br>Red light is turned on. |
| <b>COM A to D</b> | When COM A to D are receiving data<br>When COM A to D are not receiving data   | Light is turned on.*1<br>Light is turned off.  |

\*1 Input unit (Input device) is connected and will illuminate when communication is working properly.

### EX510-GPR1 (PROFIBUS DP)



| Display           | Contents   | Indicator light condition                     |
|-------------------|--|---|
| <b>PWR(V)</b>     | The output power supply voltage is supplied as specified.<br>The output power supply voltage is not supplied as specified.           | Light is turned on.<br>Light is turned off.   |
| <b>RUN</b>        | When the input and the power for the gateway is being supplied<br>When the input and the power for the gateway is not being supplied | Light is turned on.<br>Light is turned off.   |
| <b>DIA</b>        | When the extended diagnostic information is available<br>When the extended diagnostic information is not available                   | Light is turned on.<br>Light is turned off.   |
| <b>BF</b>         | When PROFIBUS DP communication is working improperly<br>When PROFIBUS DP communication is working properly                           | Light is turned on.<br>Light is turned off.   |
| <b>COM A to D</b> | When COM A to D are receiving data<br>When COM A to D are not receiving data   | Light is turned on.*1<br>Light is turned off. |

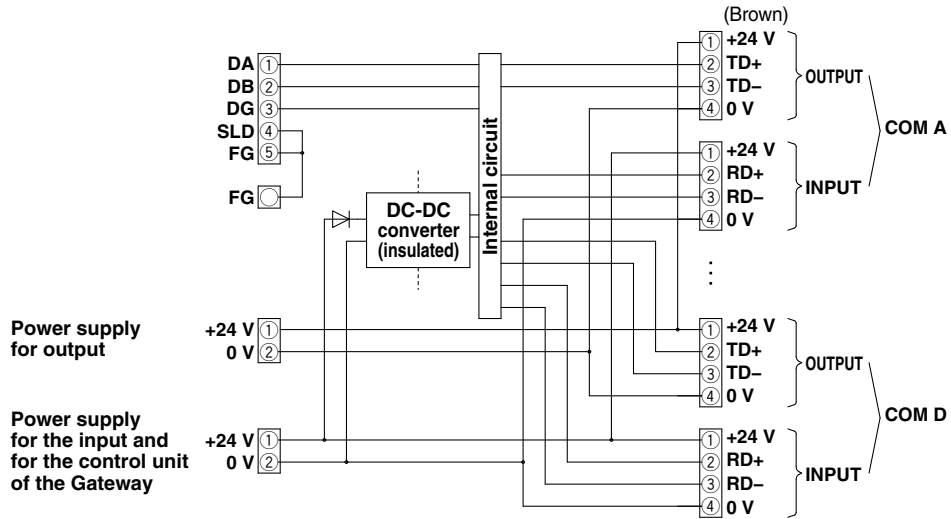
\*1 Input unit (Input device) is connected will illuminate when communication is working properly.

Type 1  
EX260  
EX123/124/126  
Type 2  
EX500  
EX600  
EX245  
EX250  
Type 3  
EX120/121/122  
EX140  
EX180  
EX510  
Type 2  
EX510  
M8/M12  
ATEX

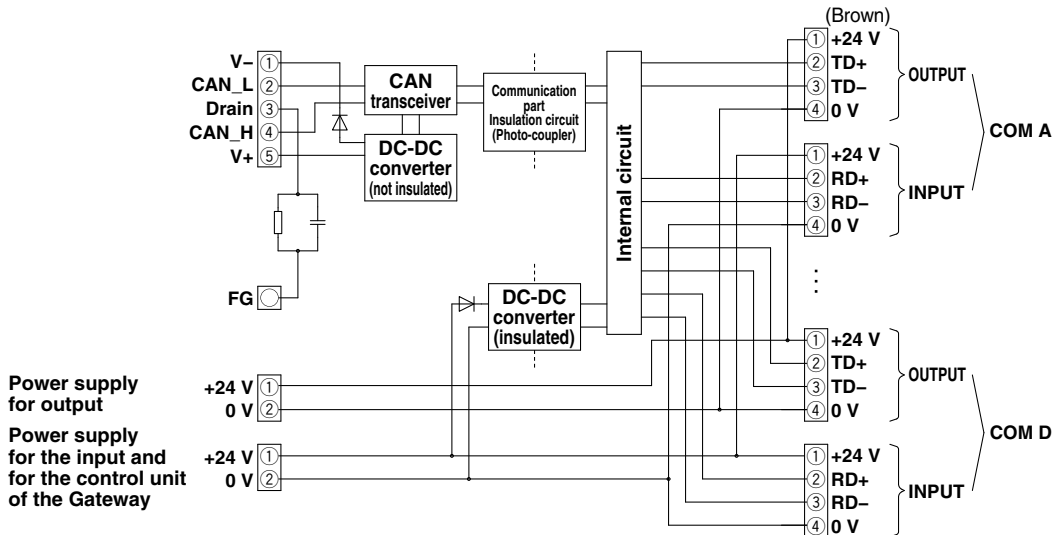
# EX510 Series

## Internal Circuit

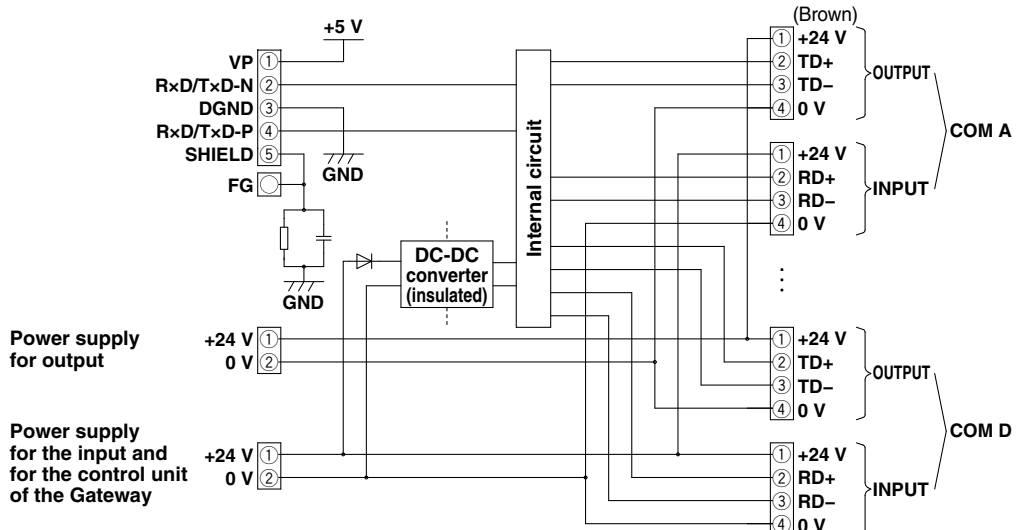
### EX510-GMJ1 (CC-Link)



### EX510-GDN1 (DeviceNet™)




### EX510-GPR1 (PROFIBUS DP)

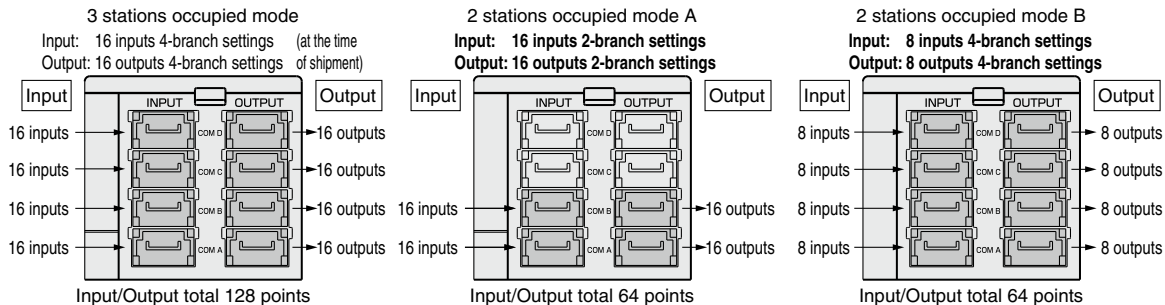


## Flexible I/O Setting Examples

### EX510-GMJ1 (CC-Link)

The occupying number of the Gateway units can be changed flexibly by setting a switch. Refer to the Operation Manual for details.

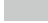
(Side view of the Gateway unit)  
 are parts in use.

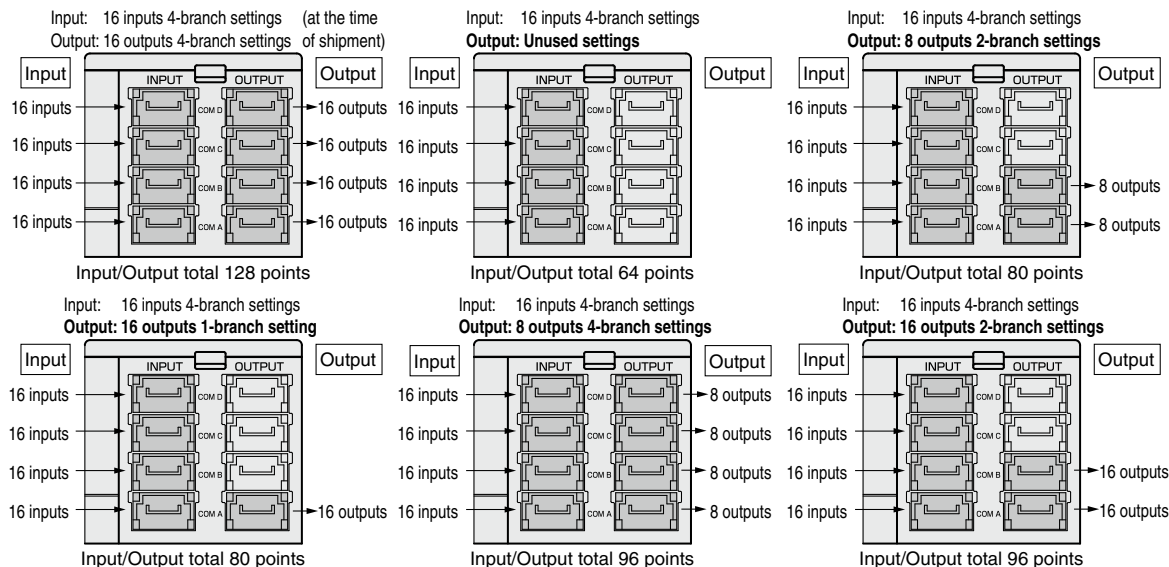


### EX510-GDN1 (DeviceNet™)

The occupying number of points in the Gateway units can be changed flexibly by setting a switch.

The occupying number of inputs and outputs can be set respectively. (Figures below are examples of the flexibility of setting the output occupied numbers.)


(Side view of the Gateway unit)  
 are parts in use.

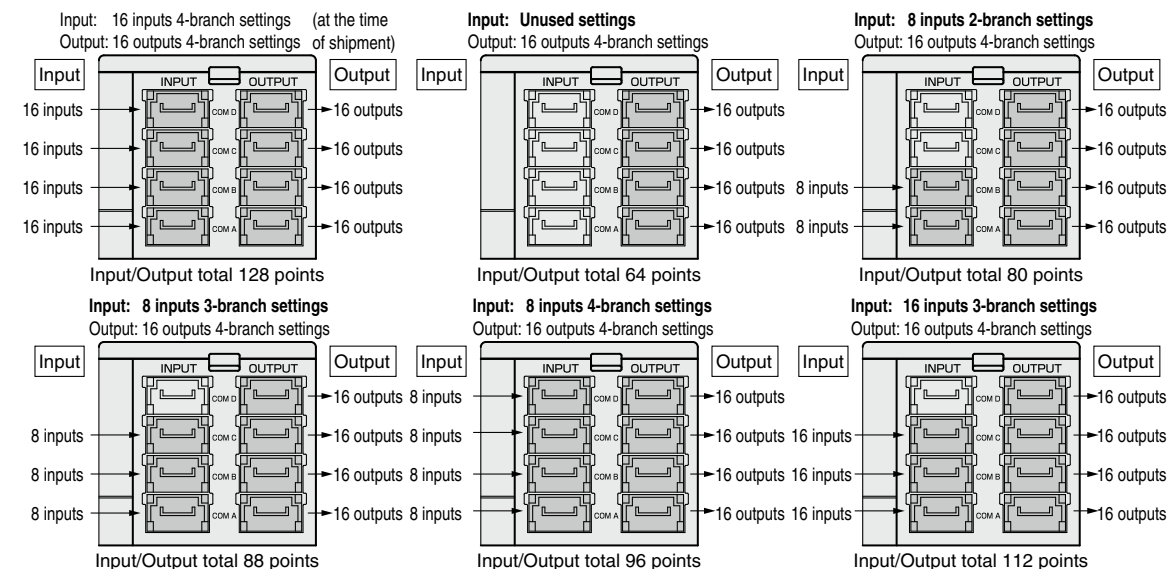


### EX510-GPR1 (PROFIBUS DP)

The occupying number of points in the Gateway units can be changed flexibly by setting a switch.

The occupying number of inputs and outputs can be set respectively. (Figures below are examples of the flexibility of setting the output occupied numbers.)

(Side view of the Gateway unit)  
 are parts in use.



|        |               |
|--------|---------------|
| Type 1 | EX260         |
| Type 1 | EX123/124/126 |
| Type 2 | EX500         |
| Type 2 | EX600         |
| Type 2 | EX245         |
| Type 2 | EX250         |
| Type 3 | EX120/121/122 |
| Type 3 | EX140         |
| Type 3 | EX180         |
| Type 3 | EX510         |
| Type 3 | M8/M12        |
| Type 3 | ATEX          |

# EX510 Series

## SI Unit

## How to Order

EX510-S 0 0 1 □

### Output specifications

|   |                              |
|---|------------------------------|
| 0 | Sink/NPN (Positive common)   |
| 1 | Source/PNP (Negative common) |

### Applicable valve manifold

|   |                    |
|---|--------------------|
| 1 | Plug-lead manifold |
| 2 | Plug-in manifold   |

### Mounting specifications

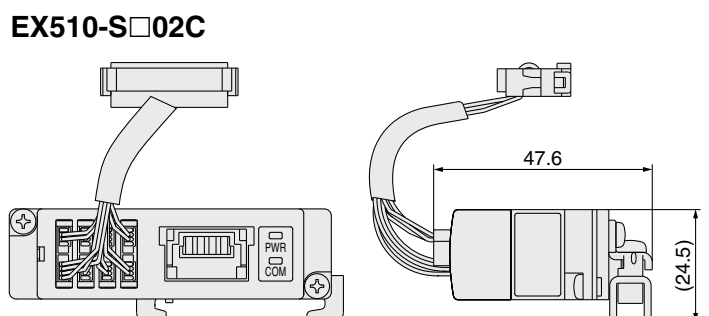
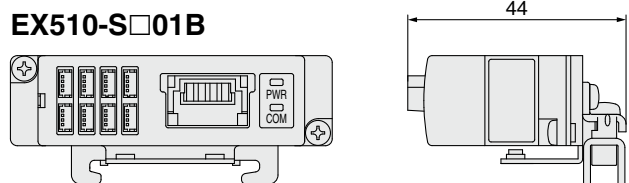
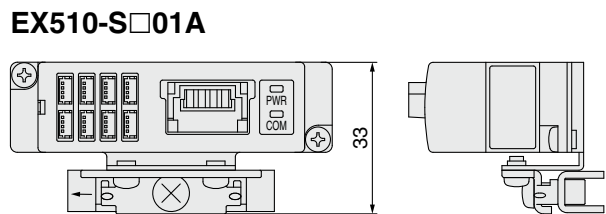
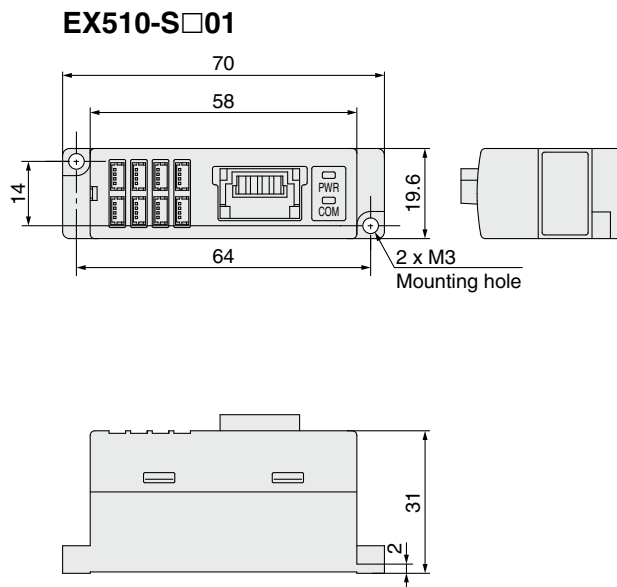
|     |   |
|-----|---|
| Nil | Screw mounting  |
| A   | Mounting on DIN rail vertically                                     |
| B   | Mounting on DIN rail horizontally                                   |
| C   | Mounting on DIN rail horizontally (Dedicated for the SJ manifold)*1 |

\*1 Applicable for EX510-S□02 only

## Specifications

| Model                           |  | EX510-S001□, S002□   | EX510-S101□, S102□                              |
|---------------------------------|--|--|---|
| <b>Output type</b>              |  | Sink/NPN (Positive common)   | Source/PNP (Negative common)                    |
| <b>Number of outputs</b>        |  | 16 outputs   |   |
| <b>Rated load voltage</b>       |  | 24 VDC   |   |
| <b>Max. load current</b>        |  | Meet the following 3 conditions:<br>1. 0.25 A or less per point<br>2. 1.4 A or less per unit<br>3. Total current for OUT 0 to 7 must be 1 A or less.<br>Total current for OUT 8 to 15 must be 1 A or less. |   |
| <b>Enclosure</b>                |  | Short-circuit protection   |   |
| <b>Current consumption</b>      |  | 50 mA or less (SI unit internal parts)   |   |
| <b>Environmental resistance</b> | <b>Enclosure</b>   | IP20   |   |
|                                 | <b>Operating temperature range</b>                             | -10 to 50°C  |   |
|                                 | <b>Operating humidity range</b>                                | 35 to 85%RH (No condensation)  |   |
|                                 | <b>Withstand voltage</b>                                       | 500 VAC for 1 minute between whole external terminal and FG  |   |
| <b>Insulation resistance</b>    | 10 MΩ or more (500 VDC) between whole external terminal and FG |  |   |
| <b>Standards</b>                |  | CE marking, UL (CSA)   |   |
| <b>Weight</b>                   |  | EX510-S□01: 40 g   | EX510-S□01A, B: 80 g<br>EX510-S□02: 50 g        |
|                                 |  |  | EX510-S□02A, B, C: 90 g (including accessories) |

## Dimensions



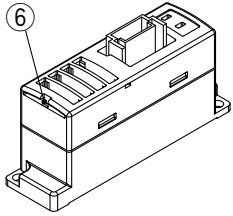


## Parts Description/LED Indicator

You can place an order for the manifold (valve series mentioned below) with the SI unit. For further information, please refer to the individual valve/manifold catalog. Also, you can change the system of your device by retrofitting the SI unit with the manifold already purchased.

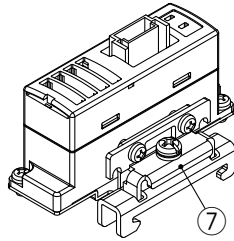
### EX510-S□01

(SY, SYJ, S0700, VQZ series)

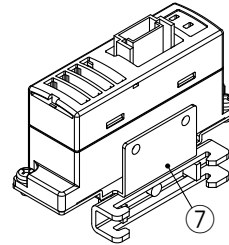


### EX510-S□01A

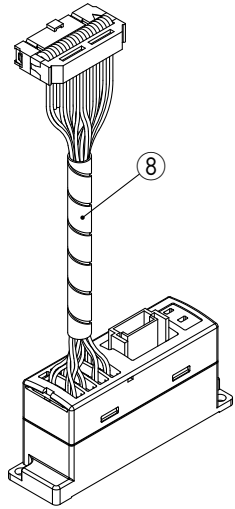
(SY series (Type 45))



### EX510-S□01B

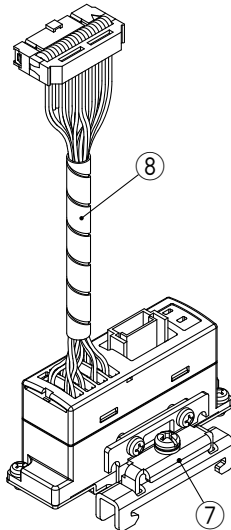


### EX510-S□02



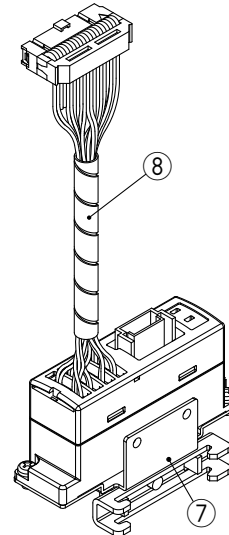
### EX510-S□02A

(SY, VQ series)



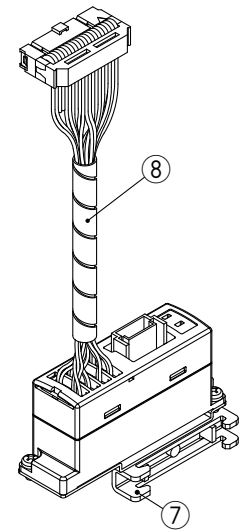
### EX510-S□02B

(SZ, SQ series)

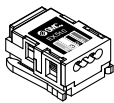


### EX510-S□02C

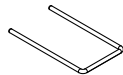
(SJ series)



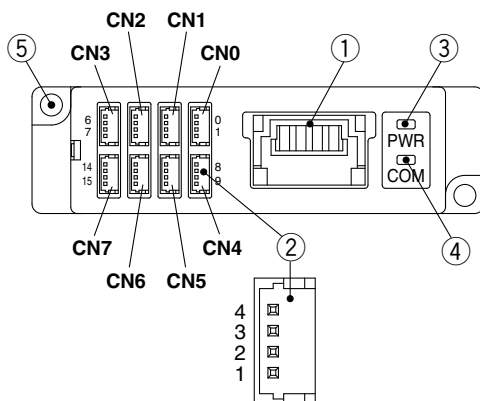
### Accessories



Branch connector (2 pcs.)  
(EX510-LC1)



Connector lock pin  
(1 pc.)



### SI Unit

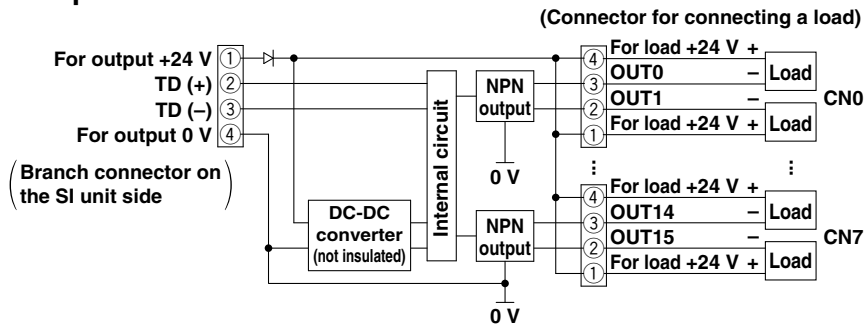
| No. | Description                          | Applications  |
|-----|--------------------------------------|---|
| 1   | Branch connector on the SI side unit | For press-fitting the branch connector (9) to the branch cable (EX510-FC□□) for connecting with the GW unit |
| 2   | Connector for connecting a load      | Connects an output device such as a solenoid valve  |
| 3   | LED for power supply                 | Light ON: Power supply ON (Normal) state<br>Light OFF: Power supply OFF state                               |
| 4   | LED for communications               | Light ON: When receiving data<br>Light OFF: When there is no communication data                             |
| 5   | Mounting hole                        | Used for mounting the unit with two M3 screws   |
| 6   | Connector lock pin insertion part    | Used for attaching a unit with a connector lock pin (10) (EX510-S□02□□ is inserted.)                        |
| 7   | Mounting bracket                     | Can be mounted on DIN rail  |
| 8   | Conversion cable assembly            | The cable assembly used for connecting to the plug-in valve manifold (MIL connector, 20 pins, socket)       |

|        |               |
|--------|---------------|
| Type 1 | EX260         |
|        | EX123/124/126 |
| Type 2 | EX500         |
| Type 3 | EX600         |
|        | EX245         |
|        | EX250         |
| Type 1 | EX140         |
|        | EX180         |
| Type 2 | EX510         |
|        | M8/M12        |
|        | ATEX          |

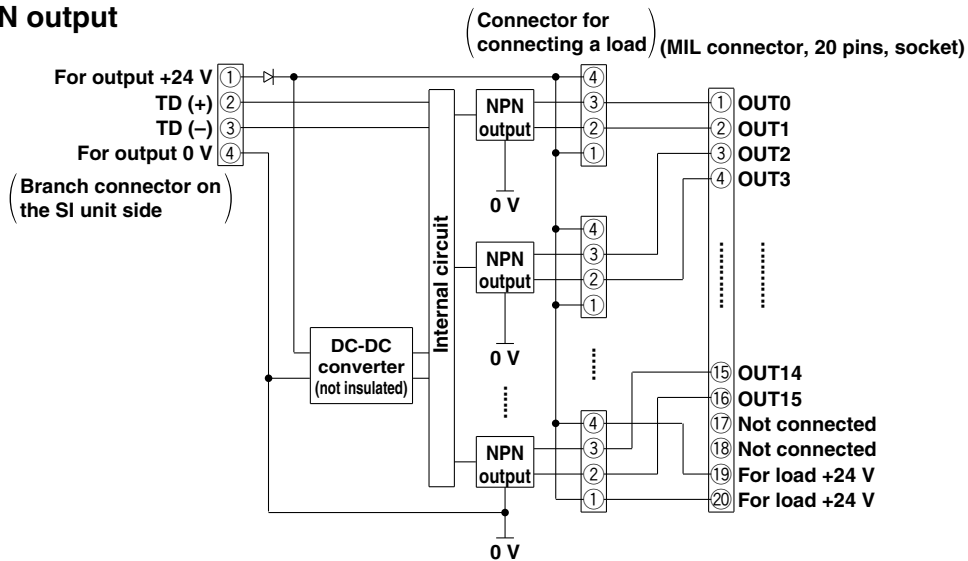
# EX510 Series

## Internal Circuits and Wiring Examples

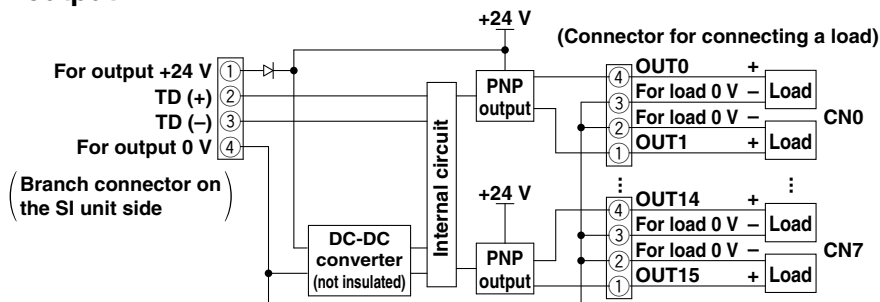
### EX510-S001/NPN output



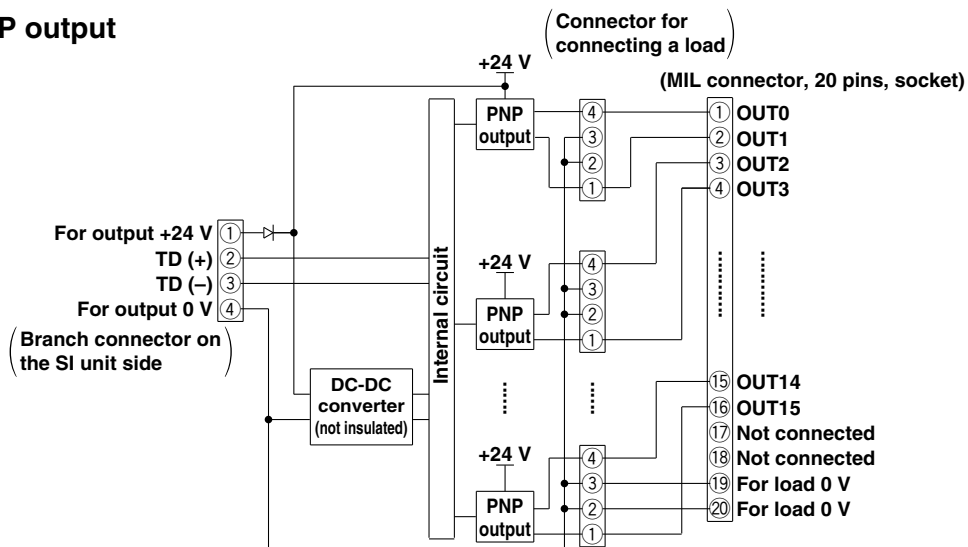
### EX510-S002/NPN output



### EX510-S101/PNP output

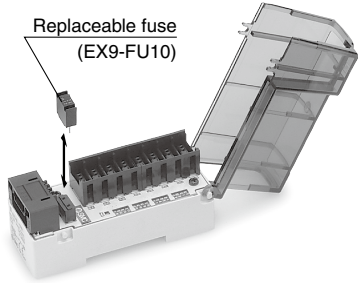


### EX510-S102/PNP output

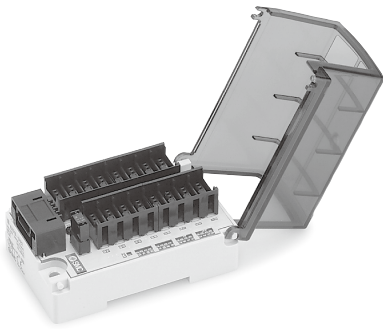


How to Order

Input Unit



1 connector, 2-input type



1 connector, 1 input type

**EX510-DX** **N** **1**

Compatible sensor

|          |             |
|----------|-------------|
| <b>N</b> | NPN output  |
| <b>P</b> | PNP output  |
| <b>B</b> | 2-wire type |

Unit type

|          |                           |
|----------|---------------------------|
| <b>1</b> | 1 connector, 2-input type |
| <b>2</b> | 1 connector, 1 input type |

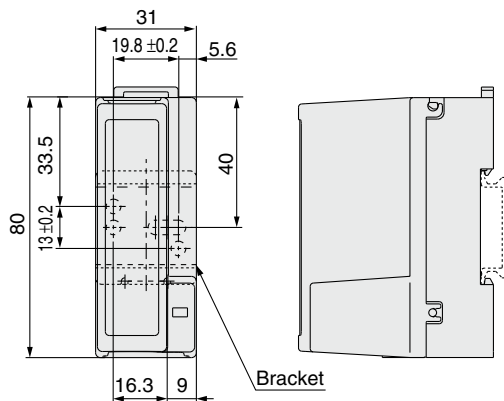
\* B (2-wire type) is available with 1 connector, 2-input type only.

Specifications

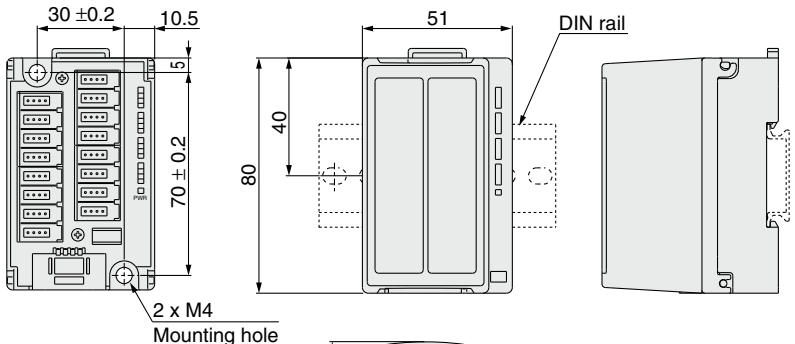
| Model                      | EX510-DX□   | EX510-DXP□   | EX510-DXB1  |
|----------------------------|---|--|-------------|
| Input type                 | NPN sensor input  | PNP sensor input   | 2-wire type |
| Number of inputs           | 16 inputs   |  |             |
| Sensor supply voltage      | 24 VDC  |  |             |
| Max. sensor supply current | 0.2 A/Point, 0.9 A/Unit   |  |             |
| Consumption current        | 100 mA (Input unit internal parts)  |  |             |
| Input resistance           | 5.6 kΩ  |  |             |
| Rated input current        | Approx. 4 mA  |  |             |
| ON voltage/ON current      | 17 V or greater/2.5 mA or greater<br>(Between input terminal and for sensor + 24 VDC) | 17 V or greater/2.5 mA or greater<br>(Between input terminal and for sensor 0 VDC) |             |
| OFF voltage/OFF current    | 7 V or less/1 mA or less<br>(Between input terminal and for sensor + 24 VDC)          | 7 V or less/1 mA or less<br>(Between input terminal and for sensor 0 VDC)          |             |
| Display                    | Green LED (illuminated when turned ON)  |  |             |
| Environment                | Enclosure   | IP10   |             |
|                            | Operating temperature range   | -10 to 50°C  |             |
|                            | Operating humidity range  | 35 to 85%RH (No condensation)  |             |
|                            | Withstand voltage   | 500 VAC for 1 minute between whole external terminal and FG                        |             |
| Standards                  | Insulation resistance   | 10 MΩ or more (500 VDC) between whole external terminal and FG                     |             |
|                            | Standards   | CE marking, UL (CSA)   |             |
| Weight                     | EX510-DX□1: 90 g EX510-DX□2: 110 g<br>(including accessories)                         |  |             |

Dimensions

EX510-DX□1



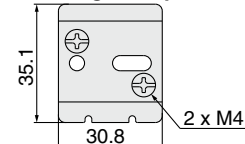
EX510-DX□2



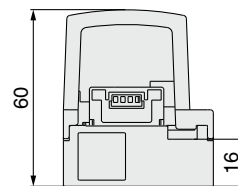
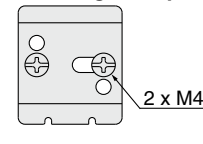
Shown with cover removed

Bracket (accessory for EX510-DX□1)

Mounting example 1



Mounting example 2



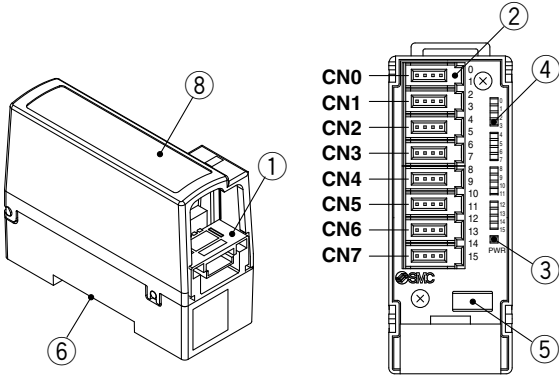
|        |               |
|--------|---------------|
| Type 1 | EX260         |
| Type 1 | EX123/124/126 |
| Type 2 | EX500         |
| Type 2 | EX600         |
| Type 3 | EX245         |
| Type 3 | EX250         |
| Type 1 | EX120/121/122 |
| Type 1 | EX140         |
| Type 1 | EX180         |
| Type 2 | EX510         |
| Type 2 | M8/M12        |
| Type 2 | ATEX          |

# EX510 Series

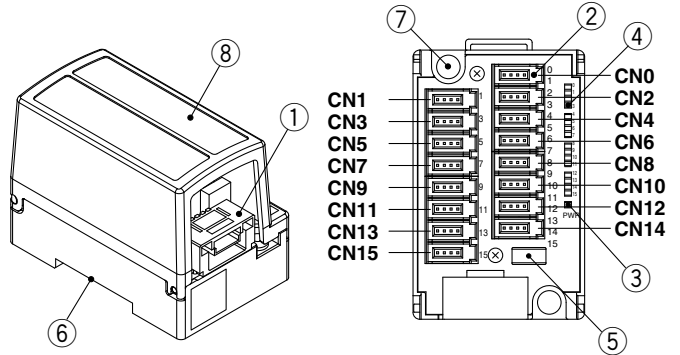
## Parts Description/LED Indicator

### EX510-DX□1

### EX510-DX□2



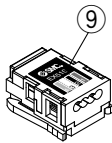
Shown with cover removed



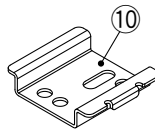
Shown with cover removed

| No. | Description                                    | Applications   |
|-----|--|--|
| 1   | <b>Branch connector on the input unit side</b> | For press-fitting the branch connector (⑨) to the branch cable (EX510-FC□□) for connecting with the GW unit          |
| 2   | <b>e-con connector</b>                         | Connecting sensor, etc.  |
| 3   | <b>LED for power supply</b>                    | Light ON: Power supply ON (Normal) state<br>Light OFF: Power supply OFF state  |
| 4   | <b>LED for display</b>                         | Light ON: When the input for sensor signal is turned ON<br>Light OFF: When the input for sensor signal is turned OFF |
| 5   | <b>Fuse</b>                                    | Replaceable fuse (EX9-FU10)  |
| 6   | <b>Mounting groove for DIN rail</b>            | For attaching to a DIN rail or when mounting with screws to an accessory bracket (⑩)                                 |
| 7   | <b>Mounting hole</b>                           | Used for mounting the unit with two M4 screws  |
| 8   | <b>Cover</b>                                   | For protecting the sensor cables. Place a marker label (⑪) on the top of the body.                                   |

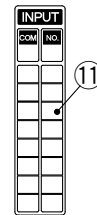
### Accessories



Branch connector (2 pcs.)  
(EX510-LC1)



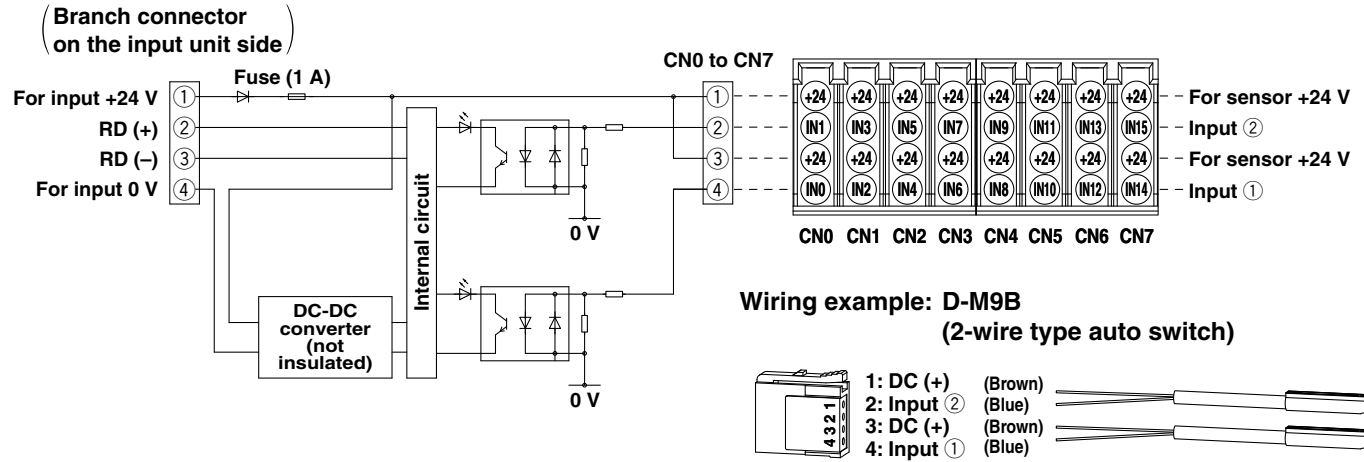
Bracket  
\* Attached to  
EX510-DX□1 only



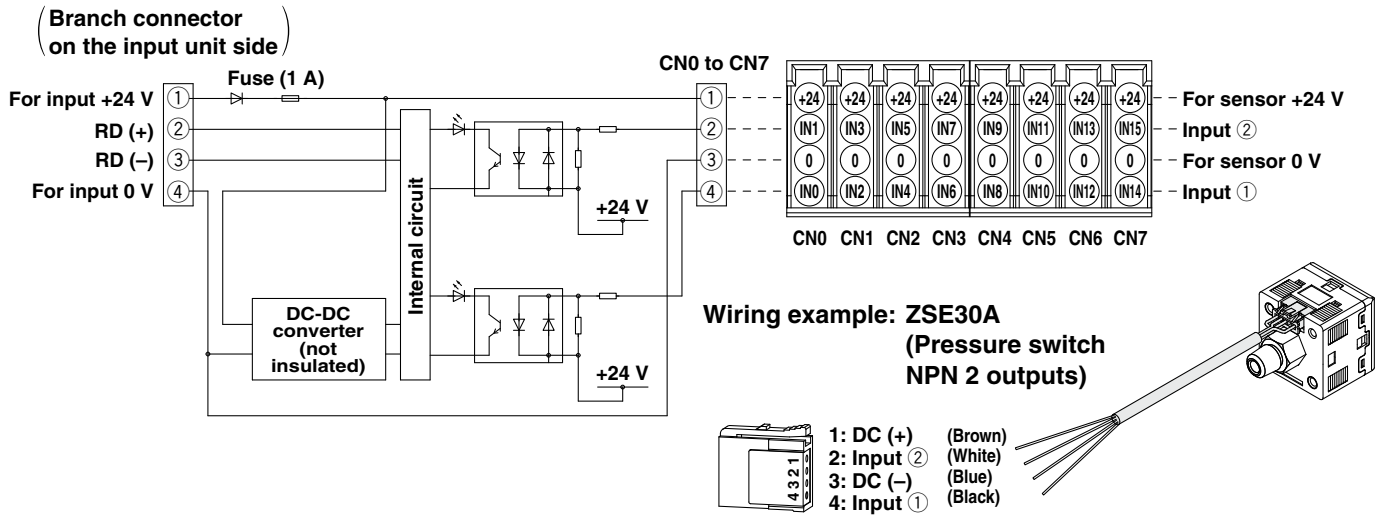
Marker label

## Internal Circuits and Wiring Examples

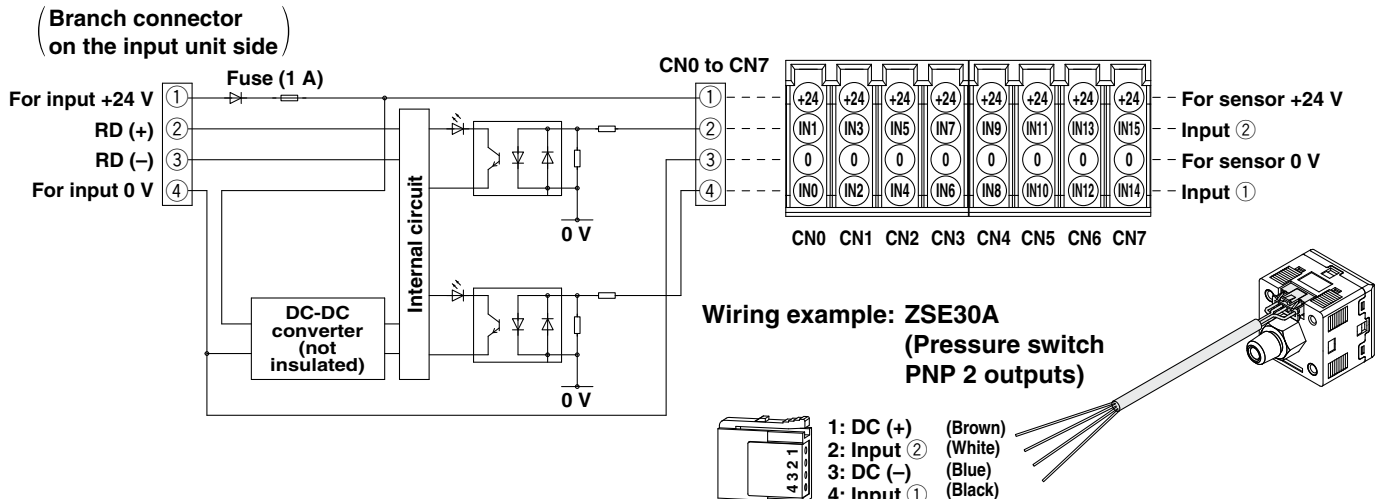
### EX510-DXB1/Input unit for 2-wire type (1 connector, 2-input type)



### EX510-DXN1/Input unit for NPN (1 connector, 2-input type)



### EX510-DXP1/Input unit for PNP (1 connector, 2-input type)



Type 1  
EX260  
EX123/124/126

Type 2  
EX500  
EX600

Type 3  
EX245  
EX250

Type 1  
EX120/121/122  
EX140

Type 2  
EX180  
EX510

M8/M12  
ATEX

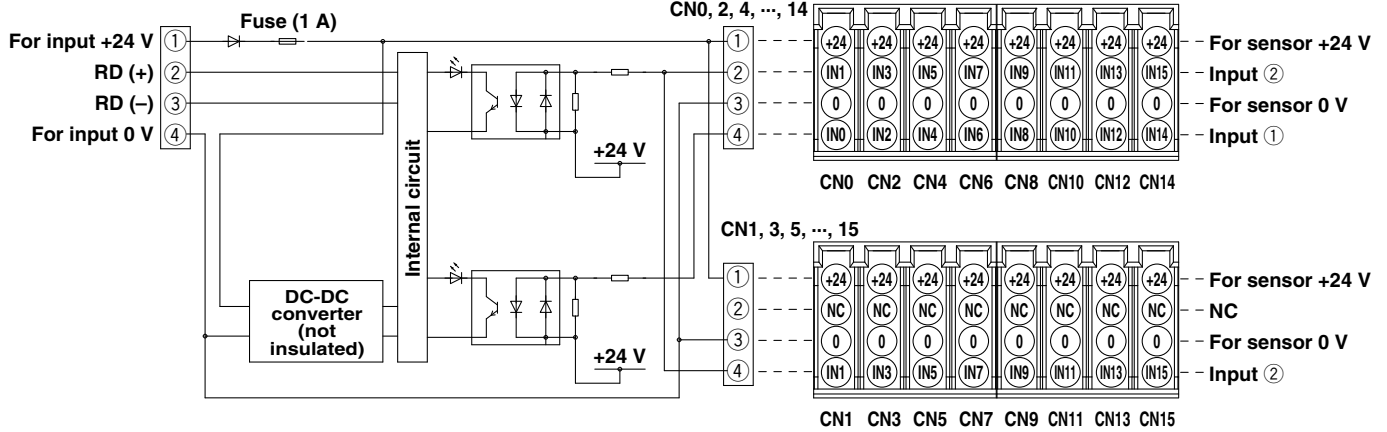


# EX510 Series

## Internal Circuits and Wiring Examples

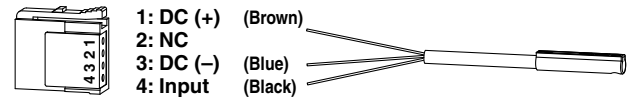
### EX510-DXN2/Input unit for NPN (1 connector, 1 input type)

(Branch connector on the input unit side)



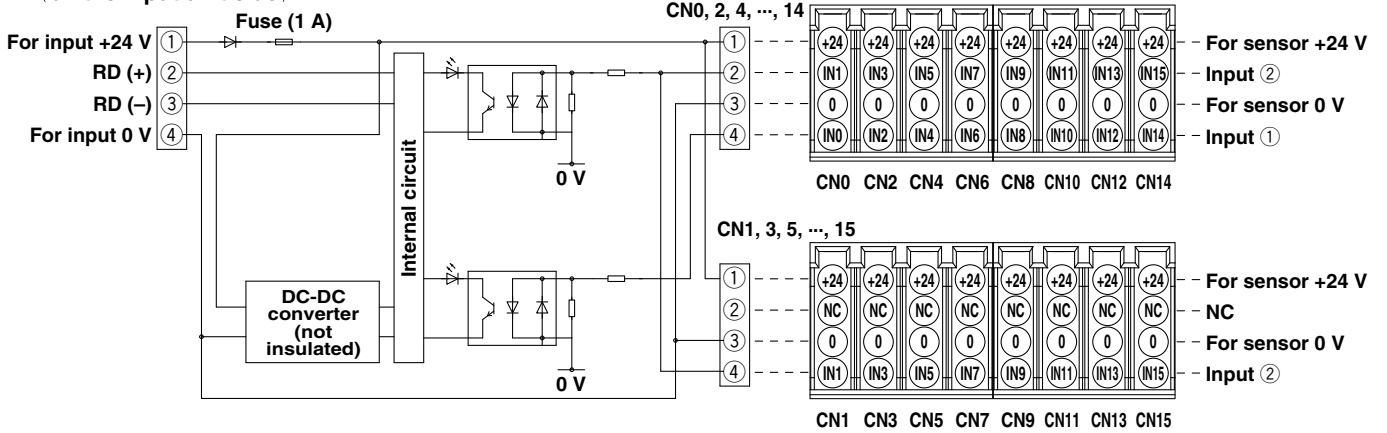
#### Wiring example: D-M9N

(3-wire type auto switch, NPN output)



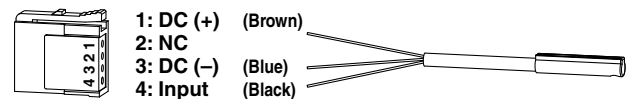
### EX510-DXP2/Input unit for PNP (1 connector, 1 input type)

(Branch connector on the input unit side)

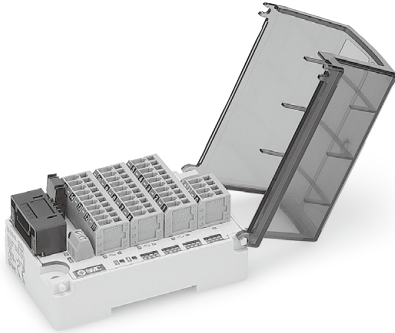


#### Wiring example: D-M9P

(3-wire type auto switch, PNP output)



**Output Unit**



**How to Order**

**EX510-DY P 3**

Output specifications

|          |                   |
|----------|-------------------|
| <b>N</b> | Sink/NPN output   |
| <b>P</b> | Source/PNP output |

Connector type

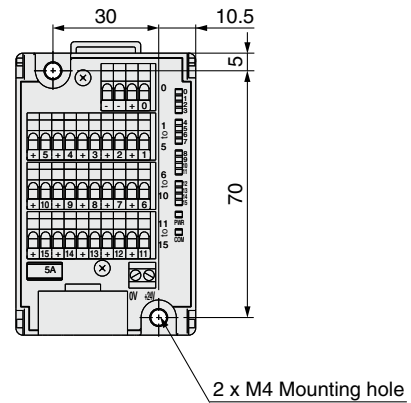
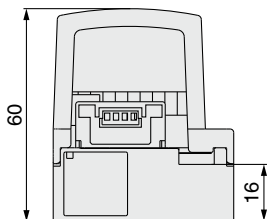
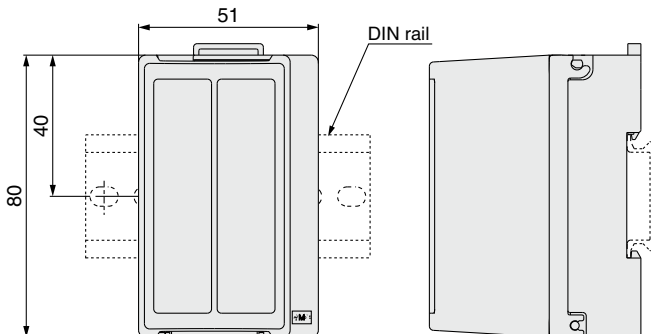
|          |   |
|----------|---|
| <b>3</b> | Terminal box type (Internal power supply) |
| <b>4</b> | Terminal box type (External power supply) |

**Specifications**

| Model  | EX510-DYN3  | EX510-DYP3  | EX510-DYN4  | EX510-DYP4                   |
|--|---|---|---|------------------------------|
| <b>Output type</b>                                 | Sink/NPN (Positive common)  | Source/PNP (Negative common)                                | Sink/NPN (Positive common)  | Source/PNP (Negative common) |
| <b>Rated load voltage</b>                          | 24 VDC  |   |   |                              |
| <b>Power supply type</b>                           | Internal power supply (supplied by GW unit)   |   | External power supply (supplied by power supply connector)  |                              |
| <b>Applicable cable for power supply connector</b> | —   |   | 0.14 to 1.5 mm <sup>2</sup> (AWG16 to 26)   |                              |
| <b>Number of outputs</b>                           | 16 outputs  |   |   |                              |
| <b>Output connector type</b>                       | Spring type   |   |   |                              |
| <b>Applicable cable</b>                            | 0.08 to 1.5 mm <sup>2</sup> (AWG16 to 28)   |   |   |                              |
| <b>Max. load current</b>                           | Meet the following 3 conditions:<br>1. 0.5 A or less per point<br>2. 1 A or less per unit<br>3. The total current for OUT0 to 7 must be 1 A or less.<br>The total current for OUT8 to 15 must be 1 A or less. |   | Meet the following 3 conditions:<br>1. 0.5 A or less per point<br>2. 3 A or less per unit<br>3. The total current for OUT0 to 7 must be 1.5 A or less.<br>The total current for OUT8 to 15 must be 1.5 A or less. |                              |
| <b>Protection</b>                                  | Short-circuit protection  |   |   |                              |
| <b>Current consumption</b>                         | 50 mA or less (inside a unit)   |   |   |                              |
| <b>Environmental resistance</b>                    | <b>Enclosure</b>  | IP10  |   |                              |
|  | <b>Operating temperature range</b>  | -10 to 50°C   |   |                              |
|  | <b>Operating humidity range</b>   | 35 to 85%RH (No condensation)                               |   |                              |
|  | <b>Withstand voltage</b>  | 500 VAC for 1 minute between whole external terminal and FG |   |                              |
| <b>Insulation resistance</b>                       | 10 MΩ or more (500 VDC) between whole external terminal and FG  |   |   |                              |
| <b>Standards</b>                                   | CE marking, UL (CSA)  |   |   |                              |
| <b>Weight</b>                                      | 130 g (including accessories)   |   |   |                              |

**Dimensions**

EX510-DY□□

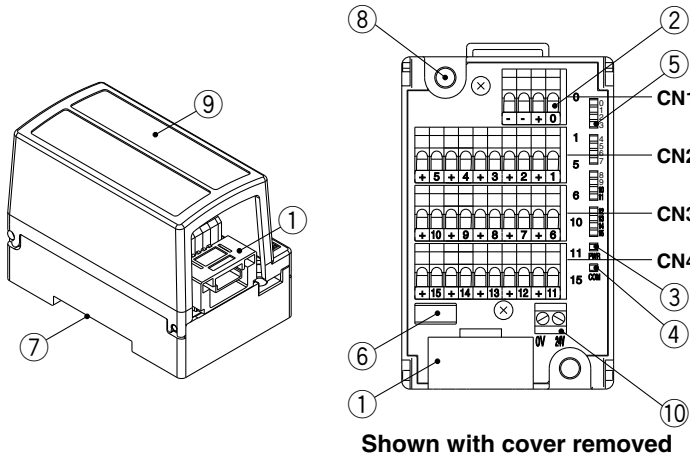


Shown with cover removed

|        |               |
|--------|---------------|
| Type 1 | EX260         |
|        | EX123/124/126 |
| Type 2 | EX500         |
|        | EX600         |
| Type 3 | EX245         |
|        | EX250         |
| Type 1 | EX140         |
|        | EX180         |
| Type 2 | EX510         |
|        | M8/M12        |
|        | ATEX          |

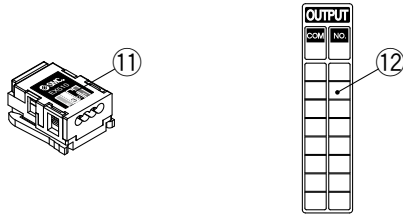
# EX510 Series

## Parts Description/LED Indicator



Shown with cover removed

### Accessories



Branch connector (2 pcs.)  
(EX510-LC1)

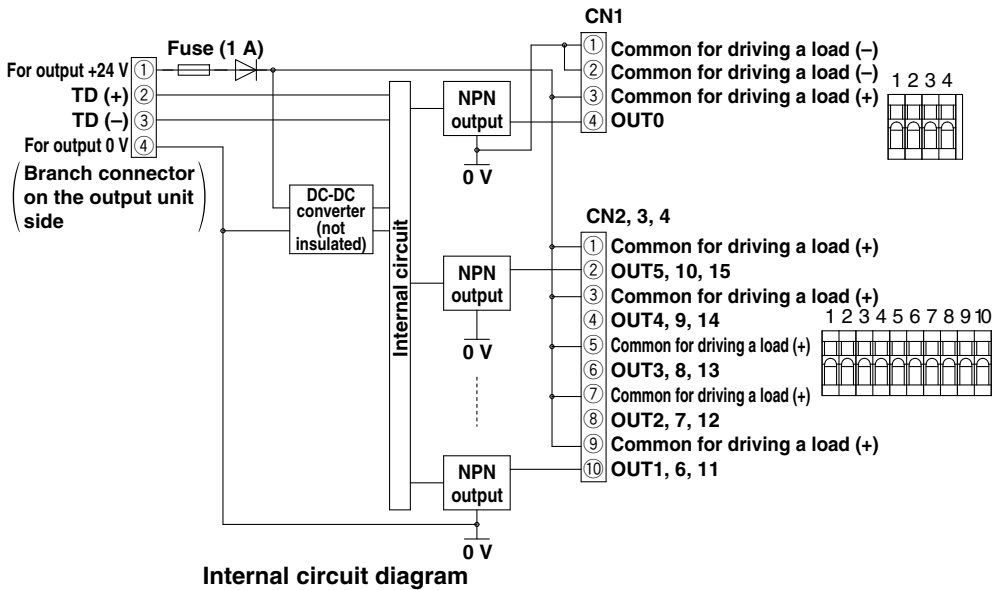
Marker label

### Output Unit

| No. | Description                              | Applications   |
|-----|--|--|
| 1   | Branch connector on the output unit side | For press-fitting the branch connector (11) to the branch cable (EX510-FC□□) for connecting with GW unit |
| 2   | Output terminal box                      | Connect the output load, etc.  |
| 3   | LED for power supply                     | Light ON: Power supply ON (Normal) state<br>Light OFF: Power supply OFF state                            |
| 4   | LED for communications                   | Light ON: When receiving data<br>Light OFF: When there is no communication data                          |
| 5   | LED for display                          | Light ON: When the output signal is turned ON<br>Light OFF: When the output signal is turned OFF         |
| 6   | Fuse                                     | Replaceable fuse   |
| 7   | Mounting groove                          | Used for mounting the unit on the DIN rail   |
| 8   | Mounting hole                            | Used for mounting the unit with two M4 screws  |
| 9   | Cover                                    | For protecting the output load cable<br>Place a marker label (12) on the top of the body.                |
| 10  | Terminal box for external power supply   | Terminal for power supply<br>(EX510-DYN4, EX510-DYP4 only)   |

## Internal Circuits and Wiring Examples

### EX510-DYN3/Output unit for NPN (Internal power supply type)



Internal circuit diagram

### Terminal Block Connector (CN1)

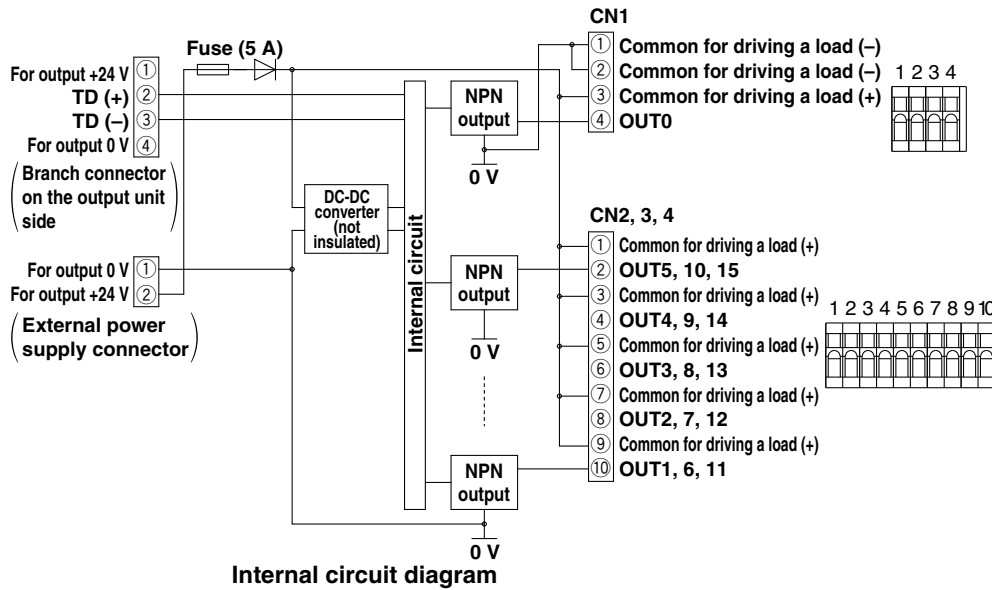
| No. | Description | Functions                     |  |
|-----|-------------|-------------------------------|--|
|     |             | CN1                           |  |
| 1   | COM         | Common for driving a load (-) |  |
| 2   | COM         | Common for driving a load (-) |  |
| 3   | COM         | Common for driving a load (+) |  |
| 4   | Output      | OUT0                          |  |

### Terminal Block Connector (CN2, CN3, CN4)

| No. | Description | Functions                     |       |       |
|-----|-------------|-------------------------------|-------|-------|
|     |             | CN2                           | CN3   | CN4   |
| 1   | COM         | Common for driving a load (+) |       |       |
| 2   | Output      | OUT5                          | OUT10 | OUT15 |
| 3   | COM         | Common for driving a load (+) |       |       |
| 4   | Output      | OUT4                          | OUT9  | OUT14 |
| 5   | COM         | Common for driving a load (+) |       |       |
| 6   | Output      | OUT3                          | OUT8  | OUT13 |
| 7   | COM         | Common for driving a load (+) |       |       |
| 8   | Output      | OUT2                          | OUT7  | OUT12 |
| 9   | COM         | Common for driving a load (+) |       |       |
| 10  | Output      | OUT1                          | OUT6  | OUT11 |

## Internal Circuits and Wiring Examples

### EX510-DYN4/Output unit for NPN (External power supply type)



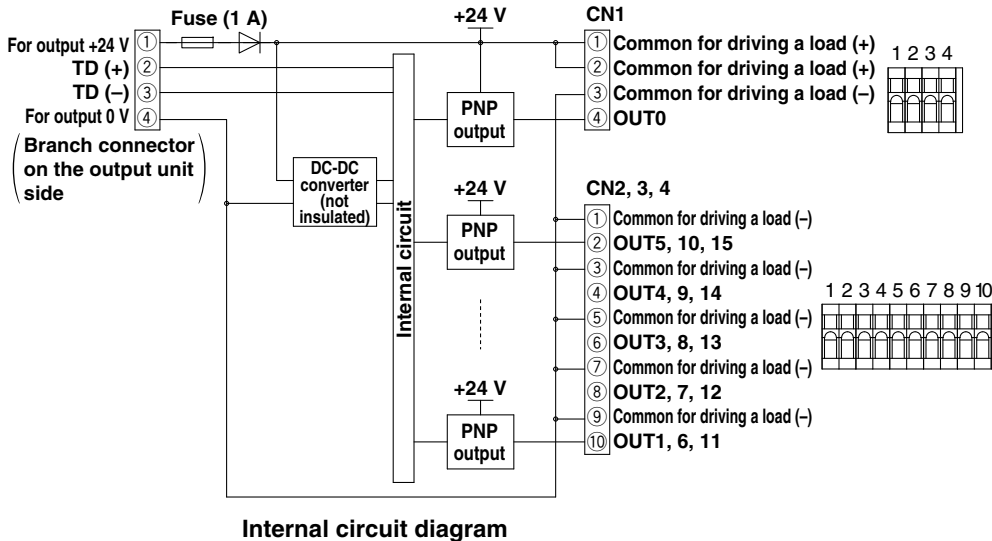
#### Terminal Block Connector (CN1)

| No. | Description | Functions                     |  |
|-----|-------------|-------------------------------|--|
|     |             | CN1                           |  |
| 1   | COM         | Common for driving a load (-) |  |
| 2   | COM         | Common for driving a load (-) |  |
| 3   | COM         | Common for driving a load (+) |  |
| 4   | Output      | OUT0                          |  |

#### Terminal Block Connector (CN2, CN3, CN4)

| No. | Description | Functions                     |       |       |
|-----|-------------|-------------------------------|-------|-------|
|     |             | CN2                           | CN3   | CN4   |
| 1   | COM         | Common for driving a load (+) |       |       |
| 2   | Output      | OUT5                          | OUT10 | OUT15 |
| 3   | COM         | Common for driving a load (+) |       |       |
| 4   | Output      | OUT4                          | OUT9  | OUT14 |
| 5   | COM         | Common for driving a load (+) |       |       |
| 6   | Output      | OUT3                          | OUT8  | OUT13 |
| 7   | COM         | Common for driving a load (+) |       |       |
| 8   | Output      | OUT2                          | OUT7  | OUT12 |
| 9   | COM         | Common for driving a load (+) |       |       |
| 10  | Output      | OUT1                          | OUT6  | OUT11 |

### EX510-DYP3/Output unit for PNP (Internal power supply type)



#### Terminal Block Connector (CN1)

| No. | Description | Functions                     |  |
|-----|-------------|-------------------------------|--|
|     |             | CN1                           |  |
| 1   | COM         | Common for driving a load (+) |  |
| 2   | COM         | Common for driving a load (+) |  |
| 3   | COM         | Common for driving a load (-) |  |
| 4   | Output      | OUT0                          |  |

#### Terminal Block Connector (CN2, CN3, CN4)

| No. | Description | Functions                     |       |       |
|-----|-------------|-------------------------------|-------|-------|
|     |             | CN2                           | CN3   | CN4   |
| 1   | COM         | Common for driving a load (-) |       |       |
| 2   | Output      | OUT5                          | OUT10 | OUT15 |
| 3   | COM         | Common for driving a load (-) |       |       |
| 4   | Output      | OUT4                          | OUT9  | OUT14 |
| 5   | COM         | Common for driving a load (-) |       |       |
| 6   | Output      | OUT3                          | OUT8  | OUT13 |
| 7   | COM         | Common for driving a load (-) |       |       |
| 8   | Output      | OUT2                          | OUT7  | OUT12 |
| 9   | COM         | Common for driving a load (-) |       |       |
| 10  | Output      | OUT1                          | OUT6  | OUT11 |

Type 1

EX260

EX123/124/126

Type 2

EX500

EX600

EX245

EX250

Type 3

EX120/121/122

EX140

EX180

EX510

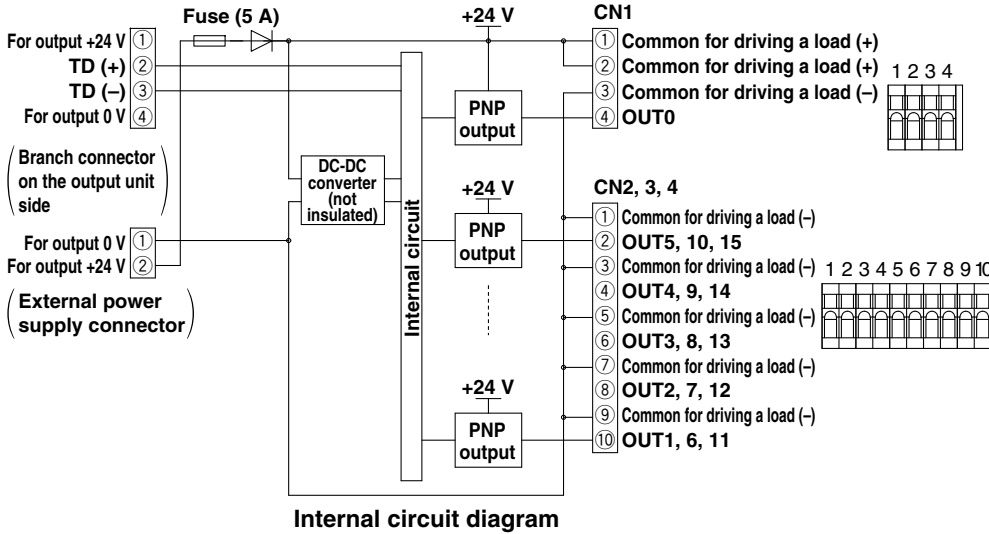
M8/M12

ATEX

# EX510 Series

## Internal Circuits and Wiring Examples

### EX510-DYP4/Output unit for PNP (External power supply type)



### Terminal Block Connector (CN1)

| No. | Description | Functions                     |  |
|-----|-------------|-------------------------------|--|
|     |             | CN1                           |  |
| 1   | COM         | Common for driving a load (+) |  |
| 2   | COM         | Common for driving a load (+) |  |
| 3   | COM         | Common for driving a load (-) |  |
| 4   | Output      | OUT0                          |  |

### Terminal Block Connector (CN2, CN3, CN4)

| No. | Description | Functions                     |       |       |
|-----|-------------|-------------------------------|-------|-------|
|     |             | CN2                           | CN3   | CN4   |
| 1   | COM         | Common for driving a load (-) |       |       |
| 2   | Output      | OUT5                          | OUT10 | OUT15 |
| 3   | COM         | Common for driving a load (-) |       |       |
| 4   | Output      | OUT4                          | OUT9  | OUT14 |
| 5   | COM         | Common for driving a load (-) |       |       |
| 6   | Output      | OUT3                          | OUT8  | OUT13 |
| 7   | COM         | Common for driving a load (-) |       |       |
| 8   | Output      | OUT2                          | OUT7  | OUT12 |
| 9   | COM         | Common for driving a load (-) |       |       |
| 10  | Output      | OUT1                          | OUT6  | OUT11 |

## Connection to Output Equipment

The output unit can be connected to 2-port solenoid valves such as the VX, VCW, VDW series and other 3-port valves. Pay attention to the applicable cable and maximum load current for selecting a solenoid valve. The 2-port valves other than shown below can be used as long as they meet the conditions; operating environment (enclosure, etc.), applicable cable and the **maximum load current**. Shown below is the typical 2-port solenoid valve. Additionally, we recommend a model with surge voltage suppressor is used for the 2-port solenoid valve.

Example) In the case of using 5 VX23 series (rated voltage: 24 VDC/ power consumption: 10.5 W) (calculated under the condition with 5 valves turned on simultaneously)

Operating current per point for a valve  
 $10.5 \text{ (W)} \div 24 \text{ (V)} = 0.44 \text{ (A)}$  ..... Meets the output unit **load current requirement 1**.

Therefore, the total current of the output unit is:  
 $10.5 \text{ (W)} \div 24 \text{ (V)} \times 5 \text{ (pcs.)} = 2.2 \text{ (A)}$  ..... Only the external power supply type can meet the **requirement 2**. The internal power supply type cannot be used.

Based on the **requirement 3**, The total current for OUT0 to 7 and OUT8 to 15 are **1.5 (A)** respectively.

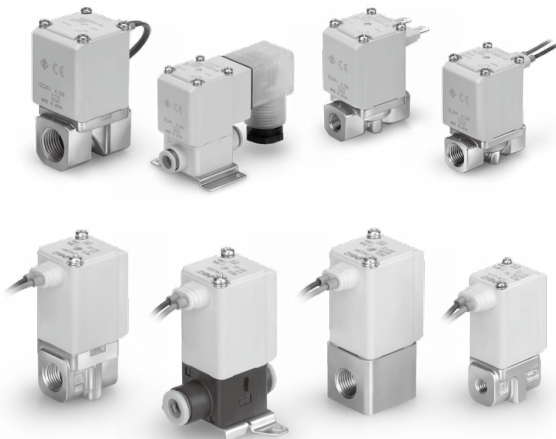
Therefore, 3 VX valves are wired for either 3 points of OUT0 to 7. (**1.32 (A)** for OUT0 to 7)  
 2 VX valves are wired for either 2 points of OUT8 to 15. (**0.88 (A)** for OUT8 to 15)

Other outputs can be made available by reducing the total number of the occupied points for simultaneous operation.

### Load Current Requirement

| Model             | EX510-DYN3  | EX510-DYP3                   | EX510-DYN4  | EX510-DYP4                   |
|-------------------|---|------------------------------|---|------------------------------|
| Output type       | Sink/NPN (Positive common)  | Source/PNP (Negative common) | Sink/NPN (Positive common)  | Source/PNP (Negative common) |
| Power supply type | Internal power supply (supplied by GW unit)   |                              | External power supply (supplied by power supply connector)  |                              |
| Max. load current | Meet the following 3 conditions:<br>1. 0.5 A or less per point<br>2. 1 A or less per unit<br>3. Total current for OUT 0 to 7 must be 1 A or less.<br>Total current for OUT 8 to 15 must be 1 A or less. |                              | Meet the following 3 conditions:<br>1. 0.5 A or less per point<br>2. 3 A or less per unit<br>3. Total current for OUT 0 to 7 must be 1.5 A or less.<br>Total current for OUT 8 to 15 must be 1.5 A or less. |                              |

## Direct Operated 2-Port Solenoid Valve



### VX

| Series | Body material                     | Port size                                     | Orifice diameter [mmø] | Power consumption [W] |
|--------|-----------------------------------|---|------------------------|-----------------------|
| VX21   | Al, Resin<br>C37, Stainless steel | 1/8 to 1/2<br>One-touch fitting:<br>ø6 to ø12 | 2 to 10                | 4.5                   |
| VX22   |                                   |   |                        | 7                     |
| VX23   |                                   |   |                        | 10.5                  |

### VDW

| Series | Body material                     | Port size                                    | Orifice diameter [mmø] | Power consumption [W] |
|--------|-----------------------------------|--|------------------------|-----------------------|
| VDW10  | Al, Resin<br>C37, Stainless steel | M5 to 1/8<br>One-touch fitting:<br>ø3.2 to 6 | 1.0 to 3.2             | 2.5                   |
| VDW20  |                                   |  |                        | 3                     |



## Accessories

### ① Branch cable

A 4 core flat cable is required for connecting between units.

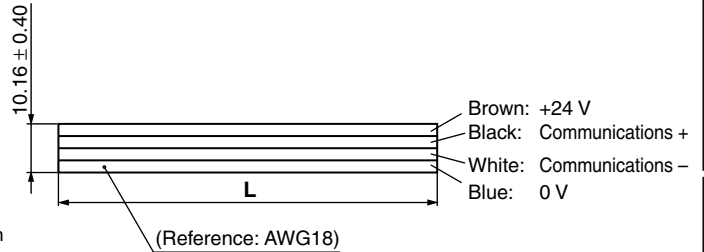
How to Order

**EX510-FC** 10

● Cable length (L)

|                  |      |
|------------------|------|
| 01               | 1 m  |
| 02               | 2 m  |
| 05               | 5 m  |
| 10               | 10 m |
| 20               | 20 m |
| 60 <sup>*1</sup> | 60 m |

\*1 Branch cable length is a maximum of 20 m.  
Use the cable by cutting it into lengths of 20 m or shorter.



### ② Branch connector (Unit 1 pc.)

Connector required for connecting a branch cable to each unit.

Two branch cables are attached to the SI unit, the input unit and the output unit respectively.

How to Order

**EX510-LC1**



(When press-fitting)

| Electrical specifications |  |
|---------------------------|--|
| Rated voltage             | 24 VDC   |
| Rated current             | Max. 5.0 A                                       |
| Contact resistance        | 20 mΩ or less                                    |
| Withstand voltage         | 1000 VAC 1 minute<br>(Leak current 1 mA or less) |

### ③ Cable assembly for outputting

Cable assembly for connecting the unused outputs in the SI unit.

How to Order

**EX510-V** S 10 S

● Output

|   |          |
|---|----------|
| S | 1 point  |
| W | 2 points |

● Cable length (L)

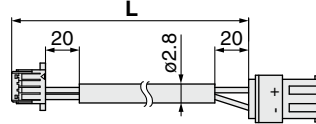
|    |     |
|----|-----|
| 10 | 1 m |
| 30 | 3 m |

● Valve connector

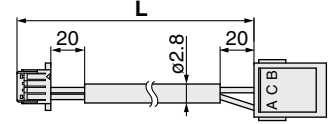
|     |                                  |
|-----|----------------------------------|
| Nil | None                             |
| S   | For SY, SYJ series               |
| Q   | For VQ, VQZ series <sup>*1</sup> |

\*1 VQ is compatible with the positive common only.

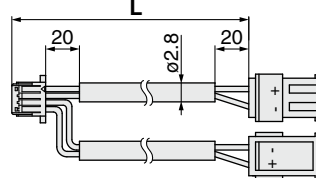
**EX510-VS**□S



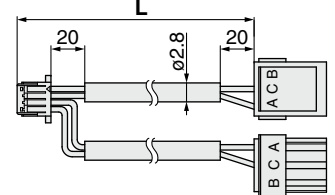
**EX510-VS**□Q



**EX510-VW**□S



**EX510-VW**□Q



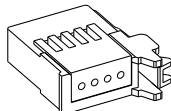
### ④ e-con connector

Connector for connecting a sensor to the input unit (EX510-DX□□).  
For applicable wire, refer to the right table.

How to Order

**ZS-28-C** □ - □

e-con



### Applicable Wire

| SMC part no. (1 pc.) | Cover color | Compliant wire diameter (φ) | Nominal cross sectional area (mm <sup>2</sup> )*1 | Tyco Electronics Japan G.K. part no. |
|----------------------|-------------|-----------------------------|---|--------------------------------------|
| <b>ZS-28-CA-1</b>    | Orange      | 0.6 to 0.9                  | 0.1 to 0.5<br>(AWG26 to 20)*2                     | 3-1473562-4                          |
| <b>ZS-28-CA-2</b>    | Red         | 0.9 to 1.0                  |   | 1-1473562-4                          |
| <b>ZS-28-CA-3</b>    | Yellow      | 1.0 to 1.15                 |   | 1473562-4                            |
| <b>ZS-28-CA-4</b>    | Blue        | 1.15 to 1.35                |   | 2-1473562-4                          |
| <b>ZS-28-CA-5</b>    | Green       | 1.35 to 1.60                |   | 4-1473562-4                          |
| SMC part no. (1 pc.) | Cover color | Compliant wire diameter (φ) | Nominal cross sectional area (mm <sup>2</sup> )*1 | 3M Japan Limited part no.            |
| <b>ZS-28-C</b>       | Red         | 0.8 to 1.0                  | 0.14 to 0.2<br>(AWG26 to 24)*2                    | 37104-3101-000FL                     |
| <b>ZS-28-C-1</b>     | Yellow      | 1.0 to 1.2                  |   | 37104-3122-000FL                     |
| <b>ZS-28-C-2</b>     | Orange      | 1.2 to 1.6                  |   | 37104-3163-000FL                     |
| <b>ZS-28-C-3</b>     | Green       | 1.0 to 1.2                  | 0.3 to 0.5<br>(AWG22 to 20)*2                     | 37104-2124-000FL                     |
| <b>ZS-28-C-4</b>     | Blue        | 1.2 to 1.6                  |   | 37104-2165-000FL                     |
| <b>ZS-28-C-5</b>     | Gray        | 1.6 to 2.0                  |   | 37104-2206-000FL                     |
| SMC part no. (1 pc.) | Cover color | Compliant wire diameter (φ) | Nominal cross sectional area (mm <sup>2</sup> )*1 | OMRON Corp. part no.                 |
| —                    | Clear       | UP to 1.5                   | 0.08 to 0.5<br>(AWG28 to 20)*2                    | XN2A-1470                            |

\*1 Nominal sectional area is the value provided by the manufacturer.

\*2 AWG size is a reference.

Type 1  
EX260  
EX123/124/126  
Type 2  
EX500  
EX600  
EX600  
Type 3  
EX245  
EX250  
EX250  
Type 1  
EX120/121/122  
EX140  
EX180  
EX510  
Type 2  
M8/M12  
ATEX

# EX510 Series

## Accessories

### ⑤ Replacement fuse

Replacement fuse for the input unit (EX510-DX□□) and the output unit (EX510-DY□□).

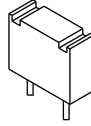
How to Order

EX9-FU **10**

● Fuse rated current

|    |     |
|----|-----|
| 10 | 1 A |
| 50 | 5 A |

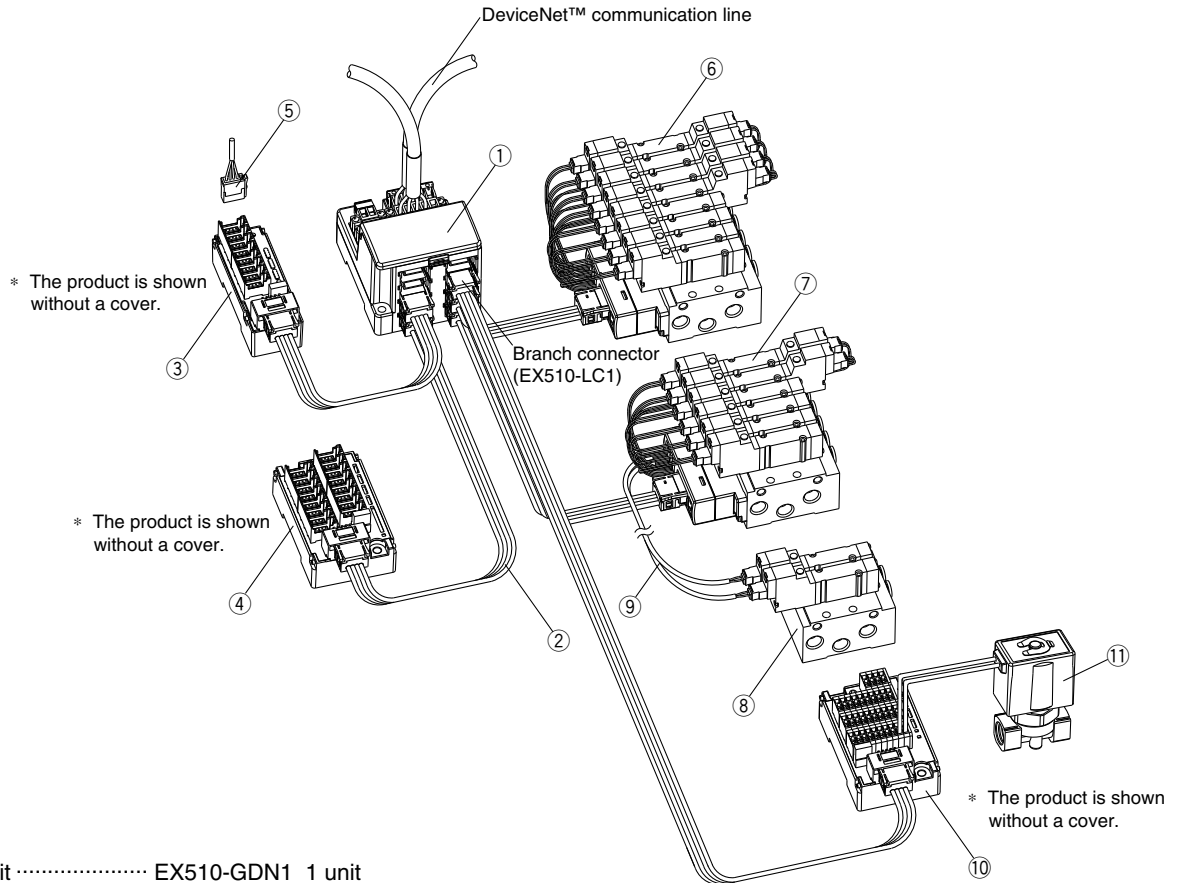
Fuse



| Electrical specifications |                          |            |
|---------------------------|--------------------------|------------|
| Part no.                  | EX9-FU10                 | EX9-FU50   |
| Applicable model          | EX510-DX□□<br>EX510-DY□3 | EX510-DY□4 |
| Rated current             | 1 A                      | 5 A        |
| Rated insulation capacity | 48 VAC/DC 50 A           |            |
| Fuse resistance value     | 0.145 Ω                  | 18 mΩ      |

## Ordering Examples

Shown is an example for ordering the EX510 series.



① Gateway unit ..... EX510-GDN1 1 unit  
(DeviceNet™ compliant)

② Branch cable 20 meters ... EX510-FC20 1 roll

\*1 ③ Input unit ..... EX510-DXN1 1 unit  
(1 connector, 2-input type NPN input)

\*1 ④ Input unit ..... EX510-DXN2 1 unit  
(1 connector, 1 input type NPN input)

⑤ e-con ..... ZS-28-C□ 24 pcs.

\*1 ⑥ SY series manifold ..... SS5Y3-42SA-08-C6 1 unit  
\* SY3140-5LOZ 4 units  
\* SY3240-5LOZ 4 units

\*1 ⑦ VQZ series manifold ..... VV5QZ15-SA06C6 1 unit  
\* VQZ1150-5LO1 4 units  
\* VQZ1250-5LO1 2 units

⑧ SY series manifold ..... SS5Y3-42-02-C6 1 unit  
\* SY3140-5LOZ 2 units

⑨ Cable assembly ..... EX510-VW10S 1 pc.  
for output entry

\*1 ⑩ Output unit ..... EX510-DYN3 1 unit

⑪ 2-port solenoid valve ..... VX210AA 1 unit

\*1 Two branch connectors are attached to the manifold with SI unit and two are attached to the input unit and the output unit respectively. The branch connector (EX510-LC1) is used to connect the individual units.

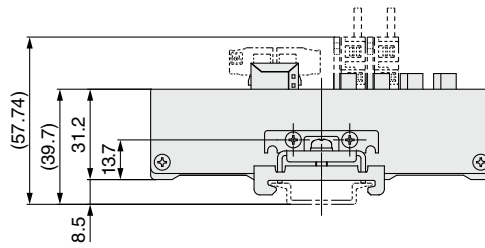
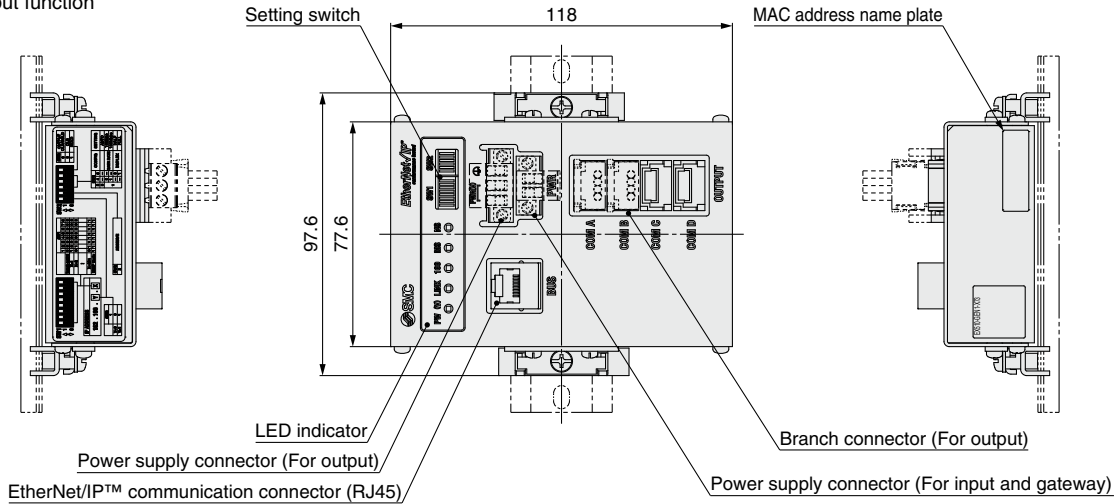
**Made to Order**

Please contact SMC for detailed specifications and lead times.

① **EtherNet/IP™ compatible**

**EX510-GEN1-X73**

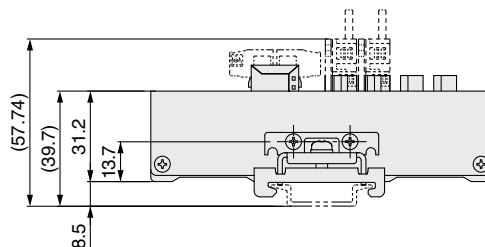
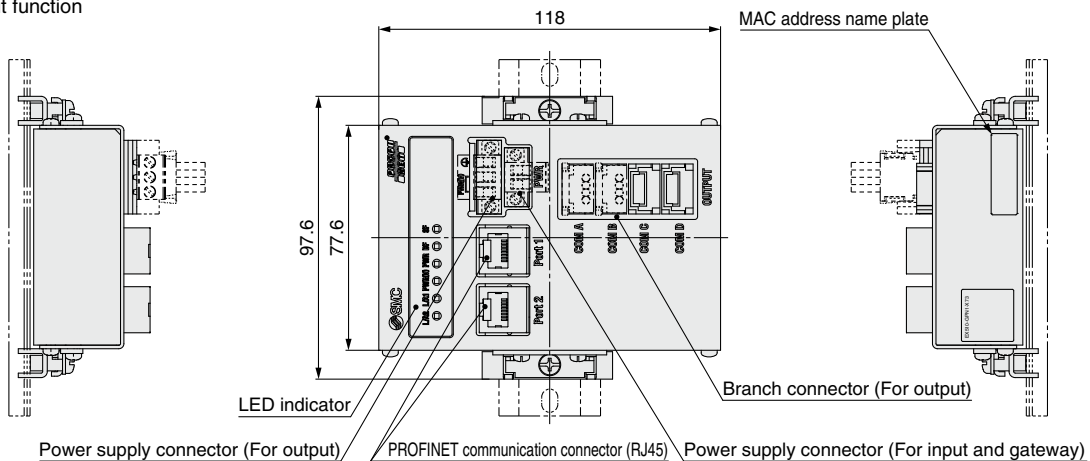
- 64 outputs (16 inputs x 4 branches)
- Without input function



② **PROFINET compatible**

**EX510-GPN1-X73**

- 64 outputs (16 inputs x 4 branches)
- Without input function



|        |               |
|--------|---------------|
| Type 1 | EX260         |
| Type 1 | EX123/124/126 |
| Type 2 | EX500         |
| Type 2 | EX600         |
| Type 2 | EX245         |
| Type 2 | EX250         |
| Type 3 | EX120/121/122 |
| Type 3 | EX140         |
| Type 3 | EX180         |
| Type 3 | EX510         |
| Type 3 | M8/M12        |
| Type 3 | ATEX          |



## EX510 Series

# Specific Product Precautions

Be sure to read this before handling the products. Refer to page 277 for safety instructions. For fieldbus system precautions, refer to pages 278 to 280 and the “Operation Manual” on the SMC website: <http://www.smcworld.com>

### Operating Environment

#### Warning

1. Do not use this product in the presence of dust, particles, water, chemicals, and oil.

Use with such materials is likely to cause a malfunction or breakage.

### Adjustment / Operation

#### Warning

1. Do not short-circuit a load.

If a load is short-circuited, excessive can cause damage to the connected devices. The fuse of the input unit will melt and below. The output and SI unit will activate its overcurrent protection function. However, they cannot cover all modes, so damage is likely to occur.

#### ■ Trademark

DeviceNet™ is a trademark of ODVA.  
EtherNet/IP™ is a trademark of ODVA.