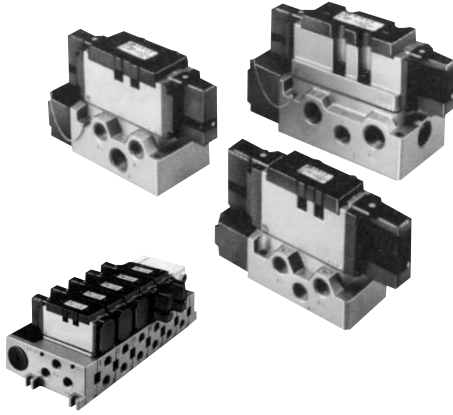


# Product Profile: ISO Interface Solenoid Valve, ISO 5599/II Rubber Seal/Metal Seal

## Series **VSR8/VSS8**



### Choice of seals for maximum flexibility

Available in either high flow rubber seal (model VSR) or matched ground spool and sleeve (model VSS).

### Low power consumption 1.8 W DC

Available in 2 or 3 position, single or double solenoid pilot configuration.

### Long service life

- Rubber seal: 30 million cycles or more
  - Metal seal: 50 million cycles or more
- \* Subject to SMC's own test data using clean and dry air.

### Lightweight

- Size 1: 552 g (1.21 lb)
- Size 2: 824 g (1.81 lb)
- Size 3: 1,000 g (2.21 lb)

### Top mounted manual override

Easy access for trouble shooting the circuit

### Model

Size	Model	Seal	Effective area <sup>(1)</sup> (Cv)	Response time m (sec) <sup>(2)</sup>			Weight <sup>(3)</sup> g (lb)	Port size
				Single	Double	3 position		
1	VSR8-6	Rubber	36 (2.0)	30	30	50	551 (1.21)	1/4, 3/8, 1/2
	VSS8-6	Metal	32 (1.8)	25	20	45		
2	VSR8-8	Rubber	72 (4.0)	50	50	70	824 (1.81)	3/8, 1/2, 3/4
	VSS8-8	Metal	65 (3.6)	40	20	55		
3	VSR8-10	Rubber	97 (5.4)	80	50	95	1000 (2.21)	1/2, 3/4, 1
	VSS8-10	Metal	90 (5.0)	50	25	60		

Note 1) With port size 1/2 for VSR/VSS8-6, 3/4 for VSR/VSS8-8, 1 for VSR/VSS8-10.

Note 2) Subject to JIS B 8375-1981. At 0.5 MPa (71 psi)

Note 3) Single solenoid type without base.

### Specifications

		Rubber seal	Metal seal
Valve operation		Pilot operated, 5 port	
Fluid		Air, Inert gas	
Operating pressure range MPa (psi)		0.1 to 1.0 (14.5 to 145)	0.1 to 1.6 (14.5 to 230) <sup>Note)</sup>
Proof pressure MPa (psi)		1.5 (217)	2.4 (348)
Ambient and fluid temperature °C (°F) <sup>(2)</sup>		-5 to +50 (+23 to +122)	-20 to +60 (-4 to +140)
Max. operating frequency (cycle/sec)		8-6: 5; 8-8: 5, 8-10: 5	8-6: 20; 8-8: 15, 8-10: 10
		8-6: 3; 8-8: 3, 8-10: 2	8-6: 10; 8-8: 10, 8-10: 20
Lubrication		Not required	
Manual override		Non-locking push type	
Enclosure		Dusttight	
Coil rated voltage		100 VAC, 110 VAC, 200 VAC, 220 VAC, 24 VDC	
Allowable voltage range (%)		-15 to +10% of rated voltage	
Coil insulation		Class B or equivalent	
Apparent power (VA)	Inrush	50 Hz	5.6
		60 Hz	5.0
	Holding	50 Hz	3.4
		60 Hz	2.3
Power consumption (W)		1.8	
Surge voltage suppressor and indicator light		Available as option	

Note 1) Pilot pressure range should be 0.1 to 1 MPa (14.5 to 145 psi).

Note 2) Use dry air to prevent dew condensation when operating at low temperature.

Note 3) Subject to JIS B 8375-1975.

For details, please contact SMC.

VK

VZ

VF

VFR

VP4

VZS

VFS

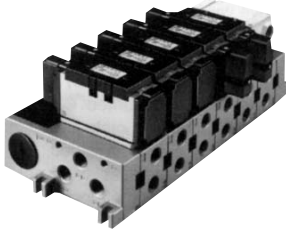
VS4

VQ7

EVS

VFN

# Manifold Specifications



## Standard Specifications

Manifold block size	ISO Size 1	ISO Size 2	ISO Size 1
Applicable solenoid valve	VSR/S8-6	VSR/S8-8	VSR/S8-6
Number of stations	1 to 10		
Port size	A, B port	1/4, 3/8, 1/2, 3/4, 1	
	P, EA, PB port	1/4, 3/8, 1/2, 3/4, 1	
Individual SUP spacer	VV81-P-02/03/04□	VV82-P-03/04/06□	—
Individual EXH spacer	VV81-R-02/03/04□	VV82-R-03/04/06□	—
Interface speed control	VV8060-22A	VV8080-22A	—
Interface regulator	ARB250-00-□-1	ARB350-00-□-1	—
	NARB250-N0-□-1	NARB350-N0-□-1	—
Blanking plate assembly	VVS8060-11A	VVS8080-11A	VVS8060-11A

## How to Order Manifold

