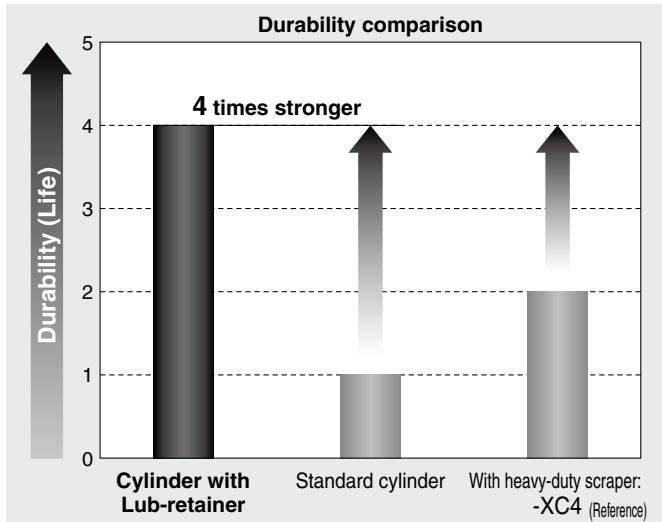


# Applicable to operation in micro-powder (10 to 100 μm)/general environments Cylinder with Stable Lubrication Function (Lub-retainer)

Durability is **4 times stronger** than the standard model in micro-powder environments.

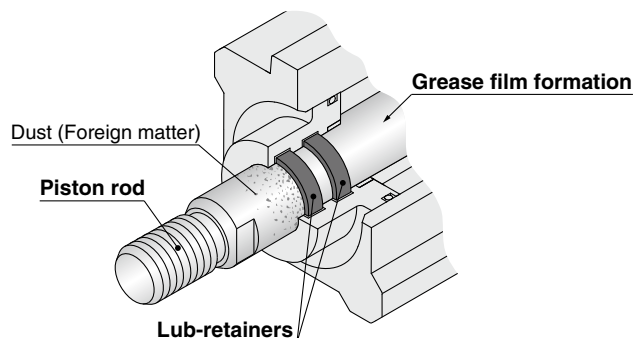


Comparison with the standard model and model with heavy-duty scraper (-XC4) (Relative ratio of B10)

\* The durability test is conducted in accordance with SMC test conditions.

As the Lub-retainer is mounted at two locations,

- Grease film is formed on the piston rod surface to improve the durability.
- Entry of dust and foreign matter is prevented.



- The number of operating cycles can be improved even in general environments.

## Applicable Cylinders

<b>Air Cylinder Series CM2</b> ø20 to ø40 RoHS	<b>Air Cylinder Series CG1</b> ø20 to ø100 RoHS	<b>Air Cylinder Series CA2</b> ø40 to ø100 RoHS	<b>Compact Cylinder/Compact Type Series CQS</b> ø20 and ø25 RoHS
<b>Compact Cylinder Series CQ2</b> ø32 to ø100 RoHS	<b>Air Slide Table Series MXQ□A</b> ø6 to ø25 RoHS	<b>Compact Guide Cylinder Series MGP</b> ø20 to ø100 RoHS	<b>Dual Rod Cylinder/Compact Type Series CXSJ</b> ø6 to ø32 RoHS
<b>Dual Rod Cylinder Series CXS</b> ø6 to ø32 RoHS			

Series **CM2/CG1/CA2/CQS/CQ2/MXQ/MGP/CXSJ/CXS**

# Air Cylinder with Stable Lubrication Function (Lub-retainer)

## Standard: Double Acting, Single Rod

# Series CM2

∅20, ∅25, ∅32, ∅40



### How to Order

**CM2 C 20 M - 50 [ ] Z - N V**

**With auto switch CDM2 C 20 M - 50 [ ] Z - N V - M9BW [ ]**

**With auto switch**  
(Built-in magnet)

**Mounting**

B	Basic (Double-side bossed)
L	Axial foot
F	Rod flange
G	Head flange
C	Single clevis
D	Double clevis
T	Head trunnion
U	Rod trunnion
E	Integral clevis
V	Integral clevis (90°)
BZ	Boss-cut/Basic
FZ	Boss-cut/Rod flange
UZ	Boss-cut/Rod trunnion

**Bore size**

20	20 mm
25	25 mm
32	32 mm
40	40 mm

**With stable lubrication function (Lub-retainer)**

**Cylinder stroke**

Bore size (mm)	Standard stroke (mm)	Maximum stroke (mm)
20	25, 50, 75, 100, 125, 150, 200, 250, 300	1000
25	25, 50, 75, 100, 125, 150, 200, 250, 300	
32	25, 50, 75, 100, 125, 150, 200, 250, 300	
40	25, 50, 75, 100, 125, 150, 200, 250, 300	

\* Manufacture of intermediate strokes in 1 mm intervals is possible.

**Number of auto switches**

Nil	2 pcs.
S	1 pc.
n	n pcs.

**Auto switch**

Nil	Without auto switch
-----	---------------------

\* Applicable auto switch is the same as for the standard model.

**Rod end bracket**

Nil	None
V	Single knuckle joint
W	Double knuckle joint

\* No bracket is provided for the female rod end type.  
\* A knuckle joint pin is not provided with the single knuckle joint.  
\* Rod end bracket is shipped together with the product, but not assembled.

**Pivot bracket**

Nil	None
N	Pivot bracket is shipped together with the product, but not assembled.

\* Only for C, T, U, E, V, UZ mounting types.  
\* Pivot bracket is shipped together with the product, but not assembled.

**Rod end thread**

Nil	Male rod end
F	Female rod end

### Specifications

Bore size (mm)	20	25	32	40
Minimum operating pressure	0.1 MPa			
Other specifications	Same as the standard model			
Dimensions	Same as the standard model			

# Air Cylinder with Stable Lubrication Function (Lub-retainer)

## Standard: Double Acting, Single Rod

# Series CG1

RoHS

ø20, ø25, ø32, ø40, ø50, ø63, ø80, ø100



### How to Order

**CG1** **B** **N** **20** **M** - **100** **Z** - **V**

**With auto switch** **CDG1** **D** **N** **20** **M** - **100** **Z** - **N** **W** - **M9BW**

With auto switch  
(Built-in magnet)

#### Mounting

<b>B</b>	Basic
<b>Z*</b>	Basic (without trunnion mounting female thread)
<b>L</b>	Axial foot
<b>F</b>	Rod flange
<b>G</b>	Head flange
<b>T*</b>	Head trunnion
<b>D</b>	Clevis

- \* Not available for ø80 or ø100.
- \* Mounting bracket is shipped together with the product, but not assembled.
- \* The cylinder for F, G, L, D mounting types is Z: Basic (without trunnion mounting female thread).

#### Bore size

<b>20</b>	20 mm
<b>25</b>	25 mm
<b>32</b>	32 mm
<b>40</b>	40 mm
<b>50</b>	50 mm
<b>63</b>	63 mm
<b>80</b>	80 mm
<b>100</b>	100 mm

With stable lubrication function (Lub-retainer)

### Specifications

Bore size (mm)	<b>20</b>	<b>25</b>	<b>32</b>	<b>40</b>	<b>50</b>	<b>63</b>	<b>80</b>	<b>100</b>
Minimum operating pressure	0.1 MPa							
Other specifications	Same as the standard model							
Dimensions	See below							

#### Rod end thread

<b>Nil</b>	Male rod end
<b>F</b>	Female rod end

#### Pivot bracket

<b>Nil</b>	None
<b>N</b>	Pivot bracket is shipped together with the product, but not assembled.

- \* Only for D, T mounting types
- \* Pivot bracket is shipped together with the product, but not assembled.

#### Rod end bracket

<b>Nil</b>	None
<b>V</b>	Single knuckle joint
<b>W</b>	Double knuckle joint

- \* No bracket is provided for the female rod end type.
- \* Rod end bracket is shipped together with the product, but not assembled.
- \* A knuckle joint pin is not provided with the single knuckle joint.

#### Cylinder stroke

Bore size (mm)	Standard stroke (mm) <sup>Note)</sup>
<b>20</b>	25, 50, 75, 100, 125, 150, 200
<b>25</b>	25, 50, 75, 100, 125, 150, 200, 250, 300
<b>32</b>	
<b>40</b>	
<b>50, 63</b>	
<b>80</b>	
<b>100</b>	

Note) Manufacture of intermediate strokes in 1 mm intervals is possible. (Spacers are not used.) Produced upon receipt of order.

#### Number of auto switches

<b>Nil</b>	2 pcs.
<b>S</b>	1 pc.
<b>n</b>	n pcs.

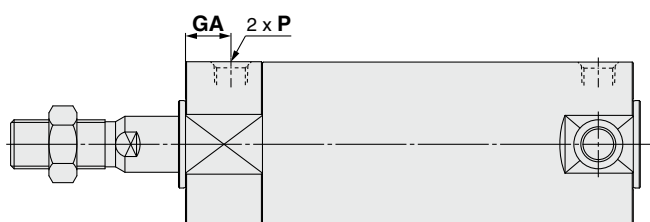
#### Auto switch

<b>Nil</b>	Without auto switch
------------	---------------------

- \* Applicable auto switch is the same as for the standard model.

### Dimensions (Dimensions other than those shown below are the same as the standard model.)

\* No trunnion mounting female thread is provided on the rod side. (For B: Basic)



Bore size	GA	P
<b>20</b>	14	M5 x 0.8
<b>25</b>	13	M5 x 0.8
<b>32</b>	(12)	(Rc 1/8)
<b>40</b>	(13)	(Rc 1/8)
<b>50</b>	(14)	(Rc 1/4)
<b>63</b>	(14)	(Rc 1/4)
<b>80</b>	(20)	(Rc 3/8)
<b>100</b>	(20)	(Rc 1/2)

\* When female thread is used, use a washer, etc. to prevent the contact part at the rod end from being deformed depending on the material of the workpiece.

( ): Same as the standard model.

\* The mounting dimensions of the mounting bracket are the same as the standard model.

# Air Cylinder with Stable Lubrication Function (Lub-retainer)

Standard: Double Acting, Single Rod

## Series CA2

∅40, ∅50, ∅63, ∅80, ∅100



### How to Order

**CA2 L 50 M - 100 Z - [ ] [ ] - [ ]**

**With auto switch CDA2 D 50 M - 100 Z - N W - M9BW [ ] - [ ]**

**With auto switch (Built-in magnet)**

**Mounting**

B	Basic
L	Axial foot
F	Rod flange
G	Head flange
C	Single clevis
D	Double clevis
T	Center trunnion

**Bore size**

40	40 mm
50	50 mm
63	63 mm
80	80 mm
100	100 mm

**With stable lubrication function (Lub-retainer)**

**Cylinder stroke**

Bore size (mm)	Standard stroke (mm)*	Long stroke (L and F only) (mm)
40	25, 50, 75, 100, 125, 150, 175, 200, 250, 300, 350, 400, 450, 500	800
50, 63	25, 50, 75, 100, 125, 150, 175, 200, 250, 300, 350, 400, 450, 500, 600	1200
80, 100	25, 50, 75, 100, 125, 150, 175, 200, 250, 300, 350, 400, 450, 500, 600, 700	∅80 : 1400 ∅100: 1500

**Bracket 1**

Nil	Without bracket
N	Pivot bracket

\* Only for D, T mounting types  
\* Pivot bracket is shipped together with the product, but not assembled.

**Bracket 2**

Nil	Without bracket
V	Single knuckle joint
W	Double knuckle joint

\* A knuckle joint pin is not provided with the single knuckle joint.  
\* Rod end bracket is shipped together with the product, but not assembled.

**Number of auto switches**

Nil	2 pcs.
S	1 pc.
3	3 pcs.
n	n pcs.

**Auto switch**

Nil	Without auto switch
-----	---------------------

\* Applicable auto switch is the same as for the standard model.

### Made to Order

Symbol	Specifications
-XA□	Change of rod end shape
-XC7	Tie-rod, cushion valve, tie-rod nut, etc. made of stainless steel
-XC14	Change of trunnion bracket mounting position
-XC15	Change of tie-rod length

\* Intermediate strokes not listed above are produced upon receipt of order.

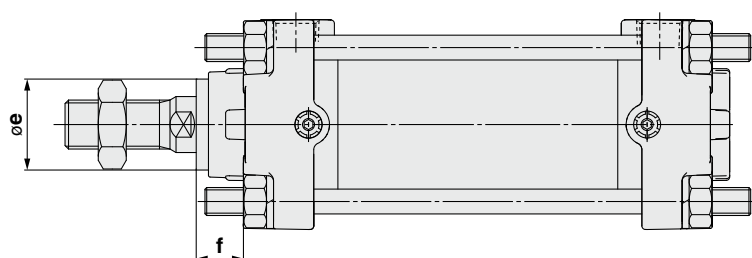
### Built-in Magnet Cylinder Model

If a built-in magnet cylinder without an auto switch is required, there is no need to enter the symbol for the auto switch.  
(Example) CDA2L40M-100Z

### Specifications

Bore size (mm)	40	50	63	80	100
Minimum operating pressure	0.1 MPa				
Other specifications	Same as the standard model				
Dimensions	See below				

### Dimensions (Dimensions other than those shown below are the same as the standard model.)



Bore size	∅e	f
40	26	13.5
50	30	12.5
63	30	12.5
80	36	16.5
100	42	16

\* The mounting dimensions of the mounting bracket are the same as the standard model.

# Compact Cylinder with Stable Lubrication Function (Lub-retainer)

## Standard: Double Acting, Single Rod

# Series CQS

ø20, ø25



### How to Order

With auto switch **CDQS B 20 M - 30 D** **M9BW**

With auto switch  
(Built-in magnet)

Mounting

<b>B</b>	Through-hole/Both ends tapped common (Standard)
<b>L</b>	Foot
<b>LC</b>	Compact foot
<b>F</b>	Rod side flange
<b>G</b>	Head side flange
<b>D</b>	Double clevis

\* Mounting brackets are shipped together, (but not assembled).

Bore size

<b>20</b>	20 mm
<b>25</b>	25 mm

With stable lubrication function (Lub-retainer)

Cylinder stroke

Bore size (mm)	Standard stroke (mm)
<b>20</b>	5, 10, 15, 20, 25,
<b>25</b>	30, 35, 40, 45, 50

Number of auto switches

<b>Nil</b>	2 pcs.
<b>S</b>	1 pc.
<b>n</b>	n pcs.

Auto switch

<b>Nil</b>	Without auto switch
------------	---------------------

\* Applicable auto switch is the same as for the standard model.

Body option

<Standard stroke>

<b>Nil</b>	Standard
<b>M</b>	Rod end male thread
<b>F</b>	Boss on head end

\* Combination of body options (FM) is available.

Action

<b>D</b>	Double acting
----------	---------------

### Built-in Magnet Cylinder Model

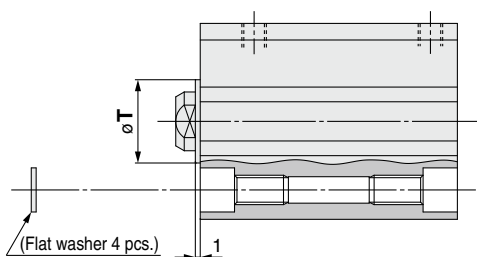
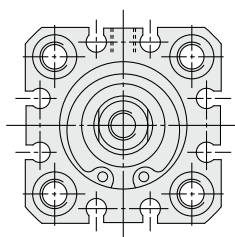
If a built-in magnet cylinder without an auto switch is required, there is no need to enter the symbol for the auto switch.

(Example) CDQSL25M-30D

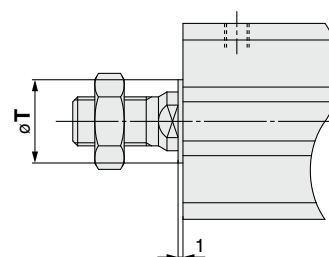
### Specifications

Bore size (mm)	20	25
Minimum operating pressure	0.1 MPa	
Other specifications	Same as the standard model	
Dimensions	See below	

### Dimensions (Dimensions other than those shown below are the same as the standard model.)



DM: Rod end male thread



Bore size	Standard stroke	T (mm)
<b>20</b>	5, 10, 15, 20, 25, 30,	15
<b>25</b>	35, 40, 45, 50	18

\* The mounting dimensions of the mounting bracket are the same as the standard model.

### Mounting Bracket Part No.

Bore size (mm)	Foot	Compact foot	Flange
<b>20</b>	CQS-LM020	CQS-LCM020	CQS-FM020
<b>25</b>	CQS-LM025	CQS-LCM025	CQS-FM025

\* The double clevis type is the same as the standard model.

\* When ordering foot and compact foot brackets, order 2 pieces per cylinder.

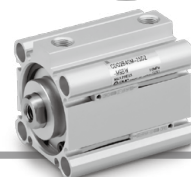
# Compact Cylinder with Stable Lubrication Function (Lub-retainer)

## Standard: Double Acting, Single Rod

# Series CQ2

∅32, ∅40, ∅50, ∅63, ∅80, ∅100

RoHS



### How to Order

With auto switch **CDQ2** **B** **32** **M** - **30** **D** **M** **Z** - **L** **W** - **M9BW**   

With auto switch  
(Built-in magnet)

Mounting

<b>B</b>	Through-hole (Standard)
<b>A</b>	Both ends tapped
<b>L</b>	Foot
<b>LC</b>	Compact foot
<b>F</b>	Rod flange
<b>G</b>	Head flange
<b>D</b>	Double clevis

\* Mounting brackets are shipped together, (but not assembled).

Bore size

<b>32</b>	32 mm
<b>40</b>	40 mm
<b>50</b>	50 mm
<b>63</b>	63 mm
<b>80</b>	80 mm
<b>100</b>	100 mm

Number of auto switches

<b>Nil</b>	2 pcs.
<b>S</b>	1 pc.
<b>n</b>	n pcs.

Auto switch

<b>Nil</b>	Without auto switch
------------	---------------------

\* Applicable auto switch is the same as for the standard model.

With stable lubrication function (Lub-retainer)

Cylinder stroke

Bore size (mm)	Standard stroke (mm)
<b>32, 40</b>	5, 10, 15, 20, 25, 30, 35, 40, 45, 50, 75, 100
<b>50 to 100</b>	10, 15, 20, 25, 30, 35, 40, 45, 50, 75, 100

Action

<b>D</b>	Double acting
----------	---------------

Body option

<b>Nil</b>	Standard (Rod end female thread)
<b>F</b>	With boss on head end
<b>M</b>	Rod end male thread

\* Combination of body options (FM) is available.

Mounting bolt

<b>Nil</b>	None
<b>L</b>	Shipped together

\* Mounting bolt is shipped together only when the mounting bracket is "B".

\* Mounting bolt size is the same as the standard model.

\* Mounting bolt is shipped together.

Rod end bracket

<b>Nil</b>	None
<b>D</b>	Simple joint A type + Joint
<b>E</b>	Simple joint B type + Joint
<b>V</b>	Single knuckle joint
<b>W</b>	Double knuckle joint

\* The single knuckle joint and double knuckle joint cannot be mounted for the rod end female thread.

\* A knuckle joint pin is not provided with the single knuckle joint.

\* The simple joint A and B types cannot be mounted for the rod end male thread.

\* Rod end bracket is shipped together with the product, but not assembled.

Auto switch mounting groove

<b>Z</b>	∅32 to ∅100	4 surfaces
----------	-------------	------------

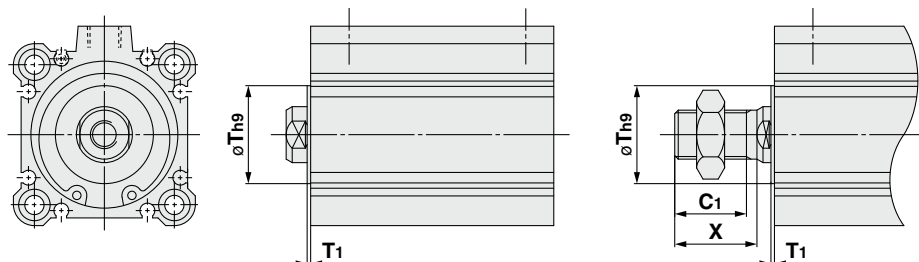
### Specifications

Bore size (mm)	32	40	50	63	80	100
Minimum operating pressure	0.1 MPa					
Other specifications	Same as the standard model					
Dimensions	See below					

### Dimensions (Dimensions other than those shown below are the same as the standard model.)

∅32 to ∅100

DMZ: Rod end male thread



Bore size	T	T1	C1	X
<b>32</b>	22	1	20.5	23.5
<b>40</b>	28	1	20.5	23.5
<b>50</b>	35	2	24	26.5
<b>63</b>	35	2	24	26.5
<b>80</b>	—	—	32.5	35.5
<b>100</b>	—	—	32.5	35.5

\* The mounting dimensions of the mounting bracket are the same as the standard model.



# Air Slide Table with Stable Lubrication Function (Lub-retainer) Double Ported Type

## Series **MXQ** □ **A**

∅6, ∅8, ∅12, ∅16, ∅20, ∅25



### How to Order

**MXQ 12 A M - 30 ZA - M9BW** □

● **Number of auto switches**

Nil	2 pcs.
S	1 pc.
n	n pcs.

● **Auto switch**

Nil	Without auto switch
-----	---------------------

\* Refer to Best Pneumatics No. 3 for applicable auto switches.

● **Adjuster option combinations**

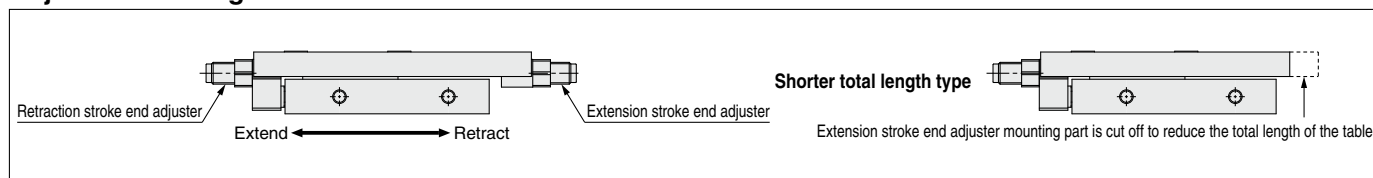
Bore size	Body option: Double ported type	Standard stroke (mm)
	A	
6		10, 20, 30, 40, 50
8		10, 20, 30, 40, 50, 75
12		10, 20, 30, 40, 50, 75, 100
16		10, 20, 30, 40, 50, 75, 100, 125
20		10, 20, 30, 40, 50, 75, 100, 125, 150
25		10, 20, 30, 40, 50, 75, 100, 125, 150

Symbol	Adjuster type	Adjuster mounting position <small>Note 1)</small>	
		Extension stroke end	Retraction stroke end
Z	Without adjuster		
ZA	Metal stopper with bumper (Not available for ∅6)	●	●
ZB		●	
ZC			●
ZD		●	●
ZE	Rubber stopper	●	
ZF			●
ZG	Shock absorber (RJ) (Not available for ∅6 and ∅8)	●	●
ZH		●	
ZJ			●
ZN	Without adjuster	/	
ZP	Rubber stopper		●
ZQ	Shock absorber (RJ) (Not available for ∅6 and ∅8)		●
ZS	Metal stopper with bumper (Not available for ∅6)		●

Note 1) ● Shipped together with the product, but not assembled. Without any symbols for the adjuster mounting position, the adjuster can be mounted afterward.

Note 2) Extension stroke end adjuster mounting holes are removed to reduce the total length. As the total length is reduced by removing the extension stroke end adjuster mounting holes, an extension stroke end adjuster cannot be mounted afterward. (Retraction stroke end adjuster can be mounted afterward.)

### Adjuster Mounting Position



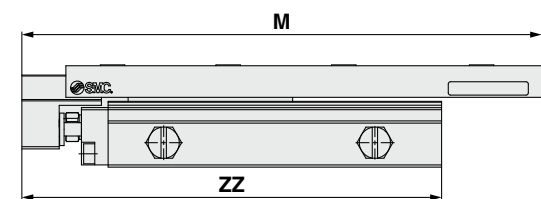
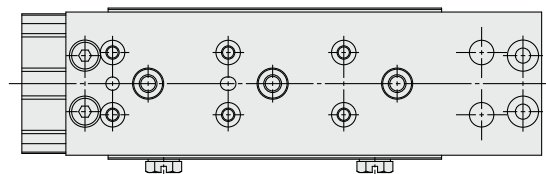
### Specifications

Bore size (mm)		6	8	12	16	20	25
Minimum operating pressure	Without adjuster	0.15 MPa					
	Rubber stopper						
	Shock absorber						
	Metal stopper with bumper						
Other specifications		Same as the standard model					
Dimensions		Refer to next page.					

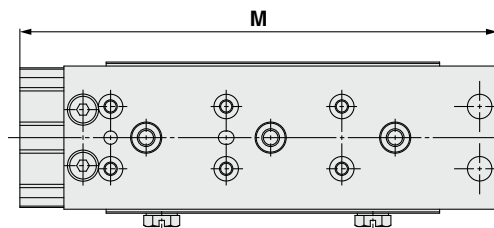
# Series MXQ□A

**Dimensions** (Dimensions other than those shown below are the same as the standard model.)

## MXQ6AM

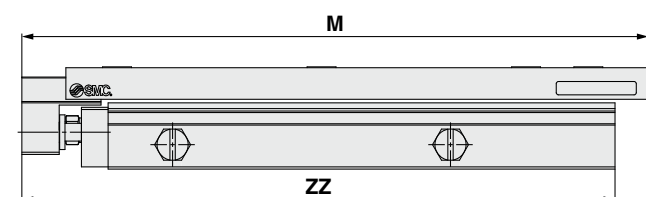
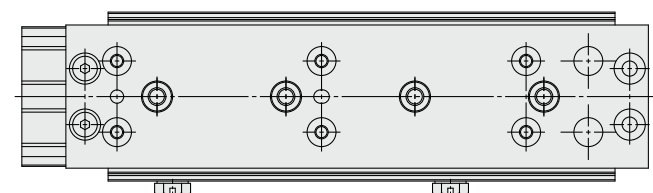


### Shorter total length type

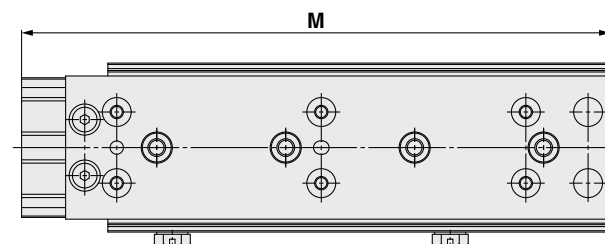


Model	M		ZZ
	Standard type	Shorter total length type	
<b>MXQ6AM-10Z</b>	74	64.5	69.5
<b>MXQ6AM-20Z</b>	84	74.5	69.5
<b>MXQ6AM-30Z</b>	105	95.5	82.5
<b>MXQ6AM-40Z</b>	117	107.4	94.5
<b>MXQ6AM-50Z</b>	127	117.5	104.5

## MXQ8AM



### Shorter total length type



Model	M		ZZ
	Standard type	Shorter total length type	
<b>MXQ8AM-10Z</b>	78	69.5	70.5
<b>MXQ8AM-20Z</b>	88	79.5	80.5
<b>MXQ8AM-30Z</b>	98	89.5	90.5
<b>MXQ8AM-40Z</b>	114	105.5	106.5
<b>MXQ8AM-50Z</b>	141	132.5	133.5
<b>MXQ8AM-75Z</b>	166	157.5	135.5

The MXQ12AM/MXQ16AM/MXQ20AM/MXQ25AM dimensions are the same as the standard model.



# Compact Guide Cylinder with Stable Lubrication Function (Lube-retainer)

## Series *MGP*

RoHS

∅20, ∅25, ∅32, ∅40, ∅50, ∅63, ∅80, ∅100



### How to Order

Compact guide cylinder

**MGP M 25 M - 30 Z - M9BW**

Compact guide cylinder

Bearing type

<b>M</b>	Slide bearing
<b>L</b>	Ball bushing

Bore size

<b>20</b>	20 mm
<b>25</b>	25 mm
<b>32</b>	32 mm
<b>40</b>	40 mm
<b>50</b>	50 mm
<b>63</b>	63 mm
<b>80</b>	80 mm
<b>100</b>	100 mm

Port thread type

<b>Nil</b>	Rc
<b>TN</b>	NPT
<b>TF</b>	G

With stable lubrication function (Lube-retainer)

Number of auto switches

<b>Nil</b>	2 pcs.
<b>S</b>	1 pc.
<b>n</b>	n pcs.

Auto switch

<b>Nil</b>	Without auto switch (Built-in magnet)
------------	--

\* Applicable auto switch is the same as for the standard model.

Cylinder stroke

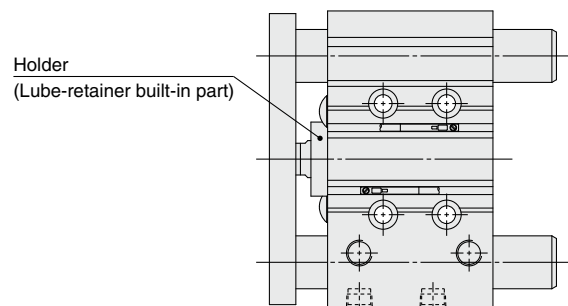
Bore size (mm)	Standard stroke (mm)
<b>20, 25</b>	20, 30, 40, 50, 75, 100, 125, 150, 175, 200, 250, 300, 350, 400
<b>32 to 100</b>	25, 50, 75, 100, 125, 150, 175, 200, 250, 300, 350, 400

\* Intermediate strokes are the same as standard model.

### Specifications

Bore size (mm)	20	25	32	40	50	63	80	100
Minimum operating pressure	0.15 MPa							
Other specifications	Same as the standard model							
Dimensions	See right side							

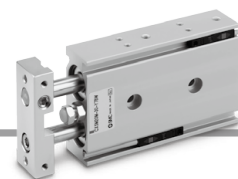
### Dimensions (Dimensions are the same as the standard model.)



# With Stable Lubrication Function (Lube-retainer) Dual Rod Cylinder/Compact Type

## CXSJ Series

∅6, ∅10, ∅15, ∅20, ∅25, ∅32



### How to Order

**CXSJ** **M** **20** **M** - **100** - **M9BW** **□**

Compact type

Bearing type

<b>M</b>	Slide bearing
<b>L</b>	Ball bushing bearing

With stable lubrication function (Lube-retainer)

Bore size [mm]	Standard stroke [mm]
<b>6</b>	10, 20, 30, 40, 50
<b>10</b>	10, 20, 30, 40, 50, 75
<b>15, 20</b> <b>25, 32</b>	10, 20, 30, 40, 50, 75, 100

Number of auto switches

<b>Nil</b>	2 pcs.
<b>S</b>	1 pc.
<b>n</b>	n pcs.

Auto switch

<b>Nil</b>	Without auto switch (Built-in magnet)
------------	---------------------------------------

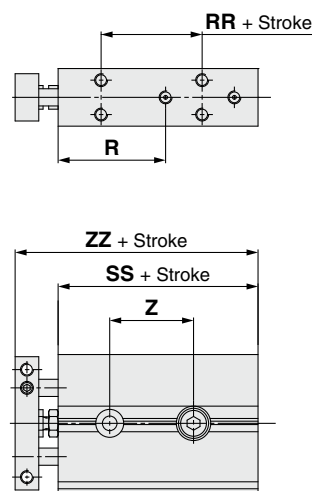
\* Applicable auto switch is the same as that of the standard model.

### Specifications

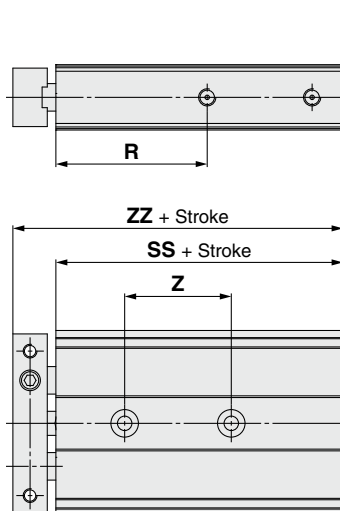
Bore size [mm]	6	10	15	20	25	32
Minimum operating pressure	0.2 MPa	0.15 MPa		0.1 MPa		
Piston speed	50 to 800 mm/s		50 to 700 mm/s		50 to 600 mm/s	
Other specifications	Same as the standard model					
Dimensions	See below.					

### Dimensions (Dimensions other than those shown below are the same as those of the standard model.)

#### CXSJ□6, 10M



#### CXSJ□15 to 32M



Model	R	RR	SS	ZZ
<b>CXSJ□6M</b>	25	13.5	36.5	46.5
<b>CXSJ□10M</b>	33.5	17	49.5	61
<b>CXSJ□15M</b>	44	—	63.5	76
<b>CXSJ□20M</b>	51	—	73.5	90
<b>CXSJ□25M</b>	52	—	76.5	93
<b>CXSJ□32M</b>	66	—	90.5	110.5

Symbol	Z						
Stroke	10	20	30	40	50	75	100
<b>CXSJ□6M</b>	19.5	29.5	39.5	49.5	59.5	—	—
<b>CXSJ□10M</b>	23	33	43	53	63	88	—
<b>CXSJ□15M</b>	31	—	—	41	—	51	61
<b>CXSJ□20M</b>	36	—	—	46	—	—	66
<b>CXSJ□25M</b>	37	—	—	47	—	—	67
<b>CXSJ□32M</b>	50	—	—	60	—	—	80

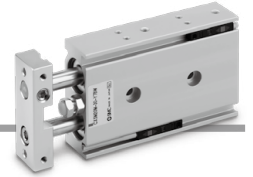


# Dual Rod Cylinder with Stable Lubrication Function (Lub-retainer)

## Series CXS

∅6, ∅10, ∅15, ∅20, ∅25, ∅32

RoHS



### How to Order

• With stable lubrication function (Lub-retainer)

**CXS** **M** **20** **M** - **100** - **Y7BW** **□**

• Bearing type

<b>M</b>	Slide bearing
<b>L</b>	Ball bushing bearing

• Bore size/Standard stroke

Bore size (mm)	Standard stroke (mm)
<b>6</b>	10, 20, 30, 40, 50
<b>10</b>	10, 15, 20, 25, 30, 35, 40, 45, 50, 60, 70, 75
<b>15, 20, 25, 32</b>	10, 15, 20, 25, 30, 35, 40, 45, 50, 60, 70, 75, 80, 90, 100

• Number of auto switches

<b>Nil</b>	2 pcs.
<b>S</b>	1 pc.
<b>n</b>	n pcs.

• Auto switch

<b>Nil</b>	Without auto switch (Built-in magnet)
------------	---------------------------------------

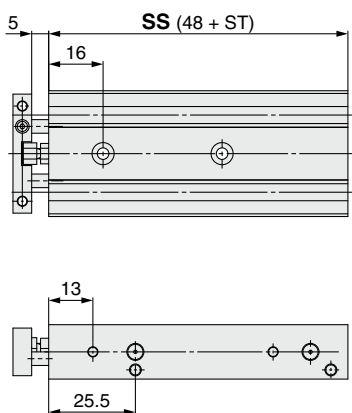
\* Applicable auto switch is the same as for the standard model.

### Specifications

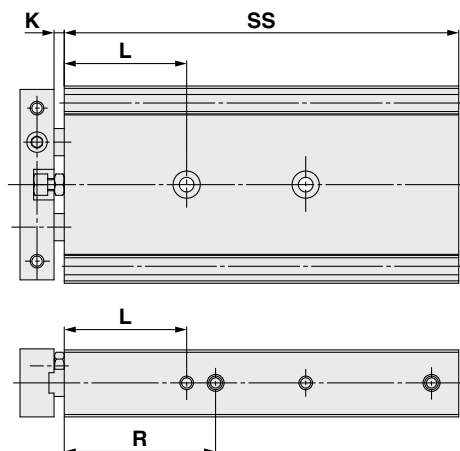
Bore size (mm)	6	10	15	20	25	32
Minimum operating pressure	0.2 MPa	0.15 MPa			0.1 MPa	
Piston speed	50 to 300 mm/s	50 to 800 mm/s	50 to 700 mm/s		50 to 600 mm/s	
Other specifications	Same as the standard model					
Dimensions	See below					

### Dimensions (Dimensions other than those shown below are the same as the standard model.)

#### CXS□6



#### CXS□10 to 32



(mm)

Model	K	L	R
<b>CXS□10</b>	4	25	35
<b>CXS□15</b>	3	36	44.5
<b>CXS□20</b>	6	36	50.5
<b>CXS□25</b>	6	36	52
<b>CXS□32</b>	4	40	66

(mm)

Symbol	SS															
Model	Stroke	10	15	20	25	30	35	40	45	50	60	70	75	80	90	100
<b>CXS□10</b>		70	75	80	85	90	95	100	105	110	120	130	135	—	—	—
<b>CXS□15</b>		76	81	86	91	96	101	106	111	116	126	136	141	146	156	166
<b>CXS□20</b>		86	91	96	101	106	111	116	121	126	136	146	151	156	166	176
<b>CXS□25</b>		88	93	98	103	108	113	118	123	128	138	148	153	158	168	178
<b>CXS□32</b>		102	107	112	117	122	127	132	137	142	152	162	167	172	182	192

With Stable Lubrication Function (Lube-retainer)

# Dual Rod Cylinder/ Compact Type

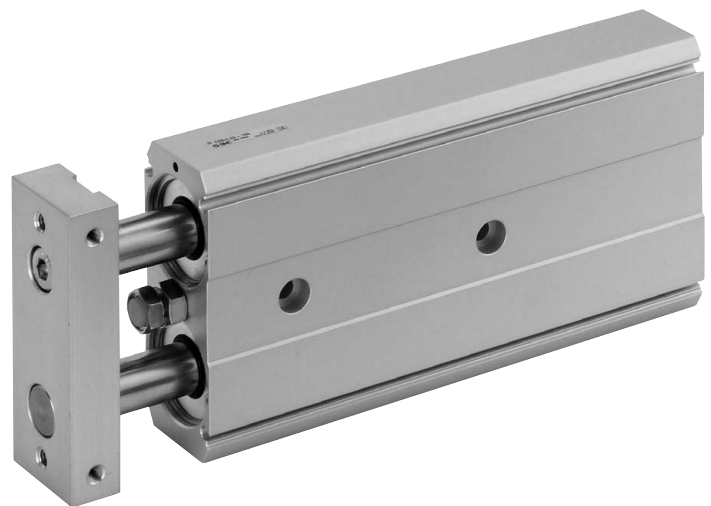
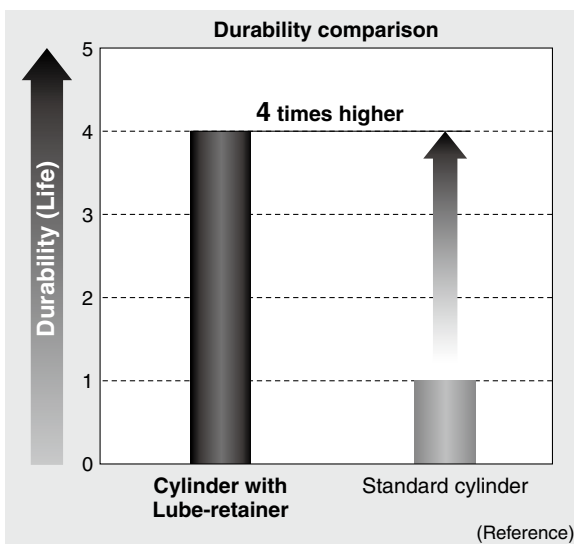
ø6, ø10, ø15, ø20, ø25, ø32

RoHS

## 4 times the durability of

10 to 100  $\mu\text{m}$

the standard model in **micro-powder environments**



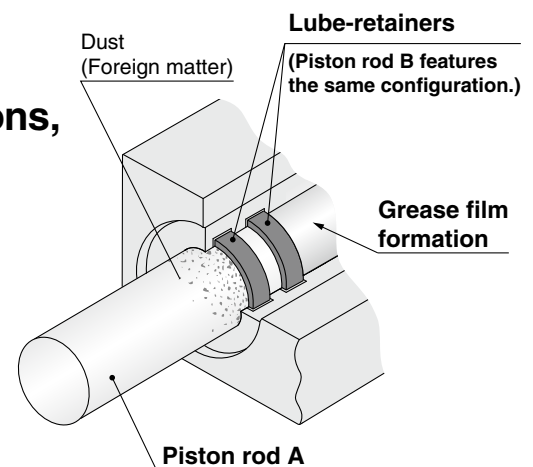
Comparison with the standard model  
(Relative ratio of B<sub>10</sub>)

\* This durability test was conducted in accordance with SMC test conditions.

As Lube-retainers are mounted in two locations, grease film is formed on the piston rod surface, improving durability.

This construction allows for the prevention of the entry of dust and foreign matter.

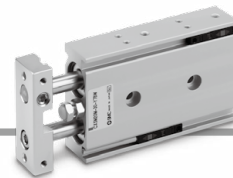
The number of operating cycles can be improved even in general environments.



**CXSJ Series**

**SMC**

18-E690



## How to Order

**CXS J M 20 M - 100 - M9BW**

- Compact type**
- Bearing type**

M	Slide bearing
L	Ball bushing bearing
- With stable lubrication function (Lube-retainer)**
- Number of auto switches**

Nil	2 pcs.
S	1 pc.
n	n pcs.
- Auto switch**

Nil	Without auto switch (Built-in magnet)
-----	---------------------------------------

\* Applicable auto switch is the same as that of the standard model.

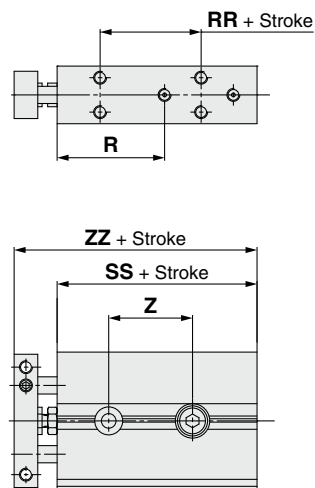
Bore size [mm]	Standard stroke [mm]
6	10, 20, 30, 40, 50
10	10, 20, 30, 40, 50, 75
15, 20 25, 32	10, 20, 30, 40, 50, 75, 100

## Specifications

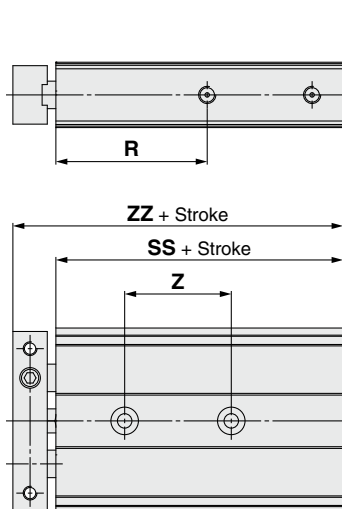
Bore size [mm]	6	10	15	20	25	32
Minimum operating pressure	0.2 MPa	0.15 MPa		0.1 MPa		
Piston speed	50 to 800 mm/s		50 to 700 mm/s		50 to 600 mm/s	
Other specifications	Same as the standard model					
Dimensions	See below.					

## Dimensions (Dimensions other than those shown below are the same as those of the standard model.)

### CXSJ□6, 10M



### CXSJ□15 to 32M



Model	R	RR	SS	ZZ
CXSJ□6M	25	13.5	36.5	46.5
CXSJ□10M	33.5	17	49.5	61
CXSJ□15M	44	—	63.5	76
CXSJ□20M	51	—	73.5	90
CXSJ□25M	52	—	76.5	93
CXSJ□32M	66	—	90.5	110.5

Model	Symbol Stroke	Z [mm]						
		10	20	30	40	50	75	100
CXSJ□6M		19.5	29.5	39.5	49.5	59.5	—	—
CXSJ□10M		23	33	43	53	63	88	—
CXSJ□15M		31		41		51		61
CXSJ□20M		36		46		66		
CXSJ□25M		37		47		67		
CXSJ□32M		50		60		80		

**⚠ Safety Instructions** Be sure to read the "Handling Precautions for SMC Products" (M-E03-3) and "Operation Manual" before use.





# Made to Order Common Specifications: -XC93□: With Greater Water Resistance + Stable Lubrication Function



## 66 With Greater Water Resistance + Stable Lubrication Function

Symbol  
-XC93

- 5 times stronger against water (liquids) than the standard model
- Equipped with the greater water resistant scraper (Fluororubber). The Lube-retainer creates grease coating around the piston rod, which improves lubrication.
- Stainless steel can be selected for the piston rod and rod end nut.

### Applicable Series

Series	Description	Model	Action	Note	Vol. no. (for std model)
RHC	High power cylinder	RHC	Double acting, Single rod	Applicable bore size: ø32, ø40 Rc port only	②-3 From P. 351

### How to Order

Standard model no.

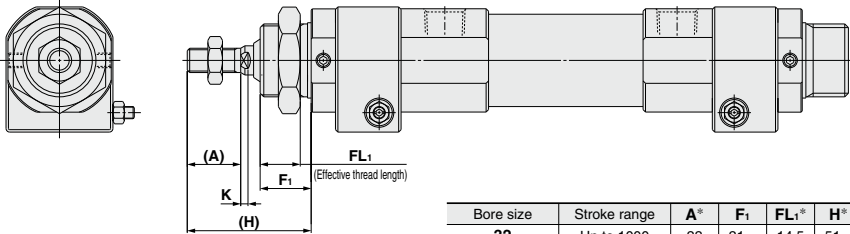
-XC93 □

With greater water resistance + stable lubrication function

Piston rod,  
Rod end nut material

NII	Standard (Carbon steel)
S	Stainless steel

### Dimensions (Dimensions other than below are the same as standard type.)



Bore size	Stroke range	A*	F <sub>1</sub>	FL <sub>1</sub> *	H*	K	(mm)
32	Up to 1000	22	21	14.5	51	3	
40	Up to 1000	24	22.5	16.5	54.5	3	

\*: Same as the standard model.