



Conforms to ISO 15407-2 Standard Size 18 mm, 26 mm Plug-in Type

5 Port Solenoid Valve

Series VS_{R8}^S-2/VS_{R8}^S-4



Series VS_{R8}^S-2

Series VS_{R8}^S-4

Conforms to ISO 15407-2 Standard

ISO Standard: Interface conforming to 18 mm size (VS_{R8}^S-2) and 26 mm size (VS_{R8}^S-4)

Accommodates IP65 enclosure.

Dust-tight/Water-jet-proof

Compact and high flow

Rubber seal	Flow rate C [dm ³ /(s·bar)]	Mass
VS_{R8}^S-2 Size 18 mm (Single)	2.2	140 g
VS_{R8}^S-4 Size 26 mm (Single)	3.6	225 g



CAT.ES11-102A

Conforms to ISO 15407-2 Standard 5 Port Solenoid Valve/Plug-in Type

Series VSS_R^S8-2/VSS_R^S8-4

ISO Standard: Interface conforming to 18 mm size (VSS_R^S8-2) and 26 mm size (VSS_R^S8-4)

Outstanding high-speed response and long service life

(Metal seal: Single type, with light/surge voltage suppressor)

VSS8-2: 20 msec or less, service life 200 million cycles

VSS8-4: 40 msec or less, service life 200 million cycles

IP65 enclosure compatible Dust-tight/Water-jet-proof

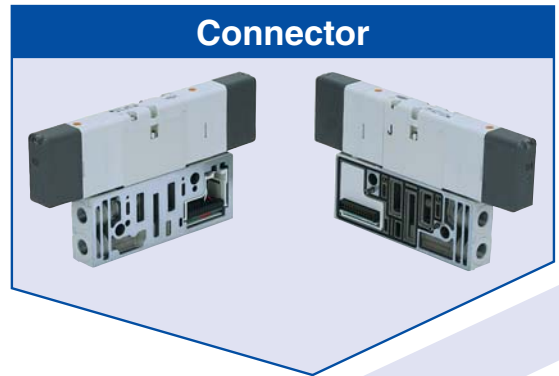
(S/T/L/M kit) (Based on IEC60529)

Compact and high flow

Series	Manifold pitch (mm)	Flow-rate characteristics <small>Note)</small>			Applicable cylinder bore size (mm)
		C	b	Cv	
VSS8-2 (Metal seal)	19	1.70	0.10	0.30	Up to $\phi 80$
VSR8-2 (Rubber seal)		2.20	0.10	0.50	
VSS8-4 (Metal seal)	27	3.40	0.10	0.70	Up to $\phi 100$
VSR8-4 (Rubber seal)		4.20	0.20	1.00	

Note) Values for CYL. → EXH. (2, 4 → 3, 5)

Connector



Applicable to EX600 (Input/Output) serial transmission

- Applicable to DeviceNet™, PROFIBUS DP and CC-Link fieldbus protocols

- **Max. 9 units** Note) can be connected in any order.

The unit to connect input device such as an auto switch, pressure switch and flow switch, and the unit to connect output device such as a solenoid valve, relay and indicator light can be connected in any order.

Note) Except SI unit

- **Analog Input Unit can be connected with analogue input device.**

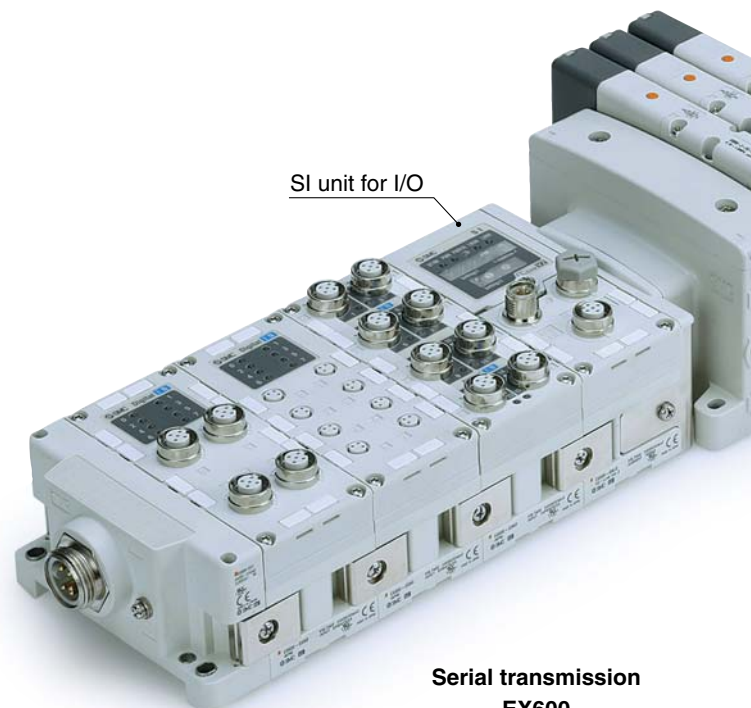
As well as a Digital (switch) Input/Output Unit, a unit applicable to analogue signal is provided, and can be connected with various device for control.

- **Self-diagnosis function**

It is possible to ascertain the maintenance period and identify the parts that require maintenance, by an input (sensor) open circuit detecting function and an input/output signal of ON/OFF counter function. Also, the monitoring of input/output signal and the setting of parameters can be performed with a Handheld Terminal.

Features 1

SI unit for I/O



Serial transmission
EX600

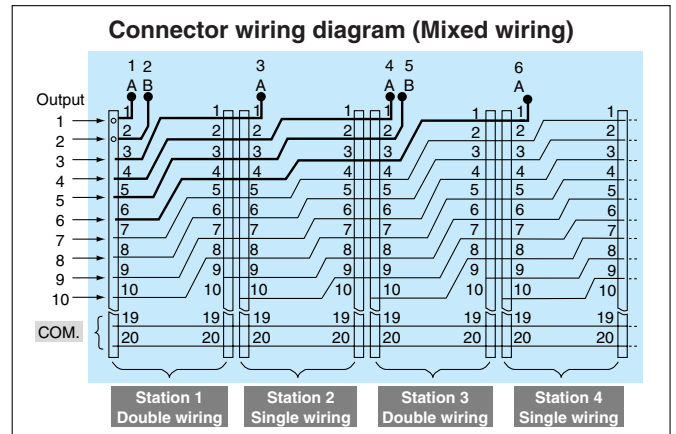
A wide variety of prepackaged wiring configurations

S kit (Serial transmission)	F kit (D-sub connector)	P kit (Flat ribbon cable)	T kit (Terminal block box)	L kit (Lead wire)	M kit (Circular connector)
IP65 enclosure compliant	25 pins	26 pins	IP65 enclosure compliant	25-core cable	26 pins
IP65 enclosure compliant			IP65 enclosure compliant	IP65 enclosure compliant	IP65 enclosure compliant

• Our six standard wiring packages bring a world of ease to wiring and maintenance work, and the four wiring types (S/T/L/M) are compatible with the IP65 enclosure.

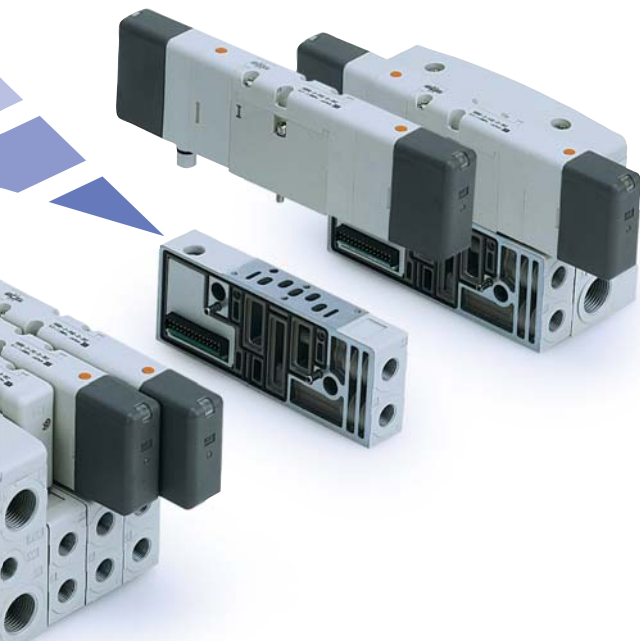
Connector type manifold

- The use of multi-pin connectors to replace wiring inside manifold blocks provides flexibility when adding stations or changing manifold configuration.
- All kits use multi-pin connectors, so switching from the F kit (D-sub connector) to the S kit (serial transmission) can be done simply by changing the kit section.



(Refer to the connector wiring diagram.)

Printed circuit board patterns between connectors are shifted at every station. This allows for viable connections to take place without necessarily specifying whether the manifold station is double, single, or mixed wiring.



4-position dual 3-port valves

(Rubber seal only)

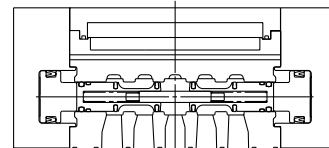
- Two 3-port valves built into one body
- The 3-port valves on the A and B sides can operate independently.
- When used as 3-port valves, only half the number of stations is required.
- Can also be used as a 3-position, 5-port type valve.

Exhaust center : **VSR8-2-FDAG-D**

VSR8-4-FDAG-D

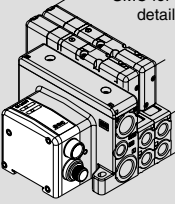
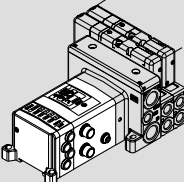
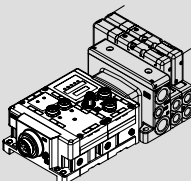
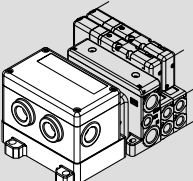








Pressure center : **VSR8-2-FDBG-D**

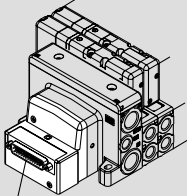
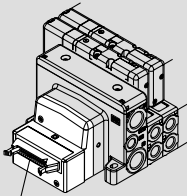
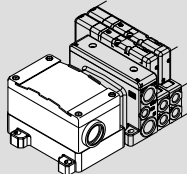
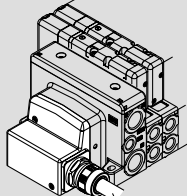
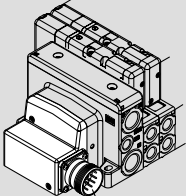










VSR8-4-FDBG-D



Model	A side	B side	Symbol
VSR8-2-FDAG-D VSR8-4-FDAG-D	N.C. valve	N.C. valve	
VSR8-2-FDBG-D VSR8-4-FDBG-D	N.O. valve	N.O. valve	
VSR8-2-FDCG-D VSR8-4-FDCG-D	N.C. valve	N.O. valve	

Base Mounted: Variations

		Sonic conductance C [dm ³ /(s·bar)] (4/2 → 5/3) A/B → EA/EB		Applicable cylinder bore size		S kit			
						Serial transmission			
Single/Double 3-position (Closed center)						Gateway application			
						Compatible network • DeviceNet™ • PROFIBUS DP • CC-Link • EtherNet/IP™ Decentralized Serial Wiring Gateway application requires a gateway unit and communication cable separately. Please contact SMC for details.  Serial unit: EX500 IP65 compliant	Compatible network • DeviceNet™ • PROFIBUS DP • CC-Link • AS-Interface • CANopen • ControlNet • EtherNet/IP™ I/O  Serial unit: EX250 IP65 compliant	Compatible network • DeviceNet™ • PROFIBUS DP • CC-Link I/O  Serial unit: EX600 IP65 compliant	Compatible network • CC-Link Output  Serial unit: EX126 IP65 compliant
Series VS ^S _R 8-2	Metal seal	VSS8-2	1.7	1.6	Up to ø80				
	Rubber seal	VSR8-2	2.2	2.1		P.3, 8	P.3, 9	P.3, 10	P.3, 12
Series VS ^S _R 8-4	Metal seal	VSS8-4	3.4	3.2	Up to ø100				
	Rubber seal	VSR8-4	4.2	4.2		P.3, 8	P.3, 9	P.3, 10	P.3, 12

F kit	P kit	T kit	L kit	M kit	Port size	
<p>D-sub connector</p> <p>D-sub connector (Conforming to MIL D-sub connector)</p>  <p>25 pins</p>	<p>Flat ribbon cable</p> <p>Flat ribbon cable (Conforming to MIL flat ribbon cable connector)</p>  <p>26 pins</p>	<p>Terminal block box</p> <p>Terminal block box (Terminal block) (Terminal block is compactly arranged on one side.)</p>  <p>IP65 compliant</p>	<p>Electrical entry</p> <p>Lead wire (IP65 enclosure with use of multiple wire cable with sheath and waterproof connector)</p>  <p>25-core cable</p> <p>IP65 compliant</p>	<p>Circular connector</p> <p>Circular connector (IP65 enclosure with use of waterproof circular connector)</p>  <p>26 pins</p> <p>IP65 compliant</p>	<p>SUP EXH port</p> <p>1, 3 (P, R)</p>	<p>Cylinder port</p> <p>2, 4 (A, B)</p>
 <p>P.3, 13</p>	 <p>P.3, 15</p>	 <p>P.3, 17</p>	 <p>P.3, 19</p>	 <p>P.3, 21</p>		
 <p>P.3, 13</p>	 <p>P.3, 15</p>	 <p>P.3, 17</p>	 <p>P.3, 19</p>	 <p>P.3, 21</p>	<p>1/2"</p>	<p>1/4" 3/8"</p>

Conforms to ISO 15407-2 Standard

5 Port Solenoid Valve/Plug-in Type

Series $V S_{R}^S 8-2 / V S_{R}^S 8-4$



How to Order Manifold

VV8 **01** **5** - **03** - **SD6Q** **N** **1** **1** **N** - **W1** - -

Size

01	Size 26 mm
02	Size 18 mm

Stations

1	1 station
↓	↓
16	16 stations

Cylinder port size

Symbol	Port size	Size 26 mm	Size 18 mm
01	Side ported 1/8"	—	●
02	Side ported 1/4"	●	—
03	Side ported 3/8"	●	—
01B	Bottom ported 1/8"	—	●
02B	Bottom ported 1/4"	●	—

Thread type

Nil	Rc
T	NPTF
F	G (Note)

Note) Conforms to ISO1179-1

Kit type/Electrical entry/Cable length
(Refer to page 4)

End plate
(Enter EX600-compliant S kit only.)

Nil	Without SI unit/end plate
2	M12 connector power supply (Max. supply current 2A)
3	7/8 inch connector power supply (Max. supply current 8A)

CE compliant

Nil	—
Q	CE compliant

Option

Nil	None
K	Special wiring specifications (Except double wiring)
S	Direct exhaust with built-in silencer
R	External pilot

Input block specification
(Enter EX250-compliant S kit only.)

Nil	PNP or without SI unit/input block
N	NPN

Input block type
(Enter EX250-compliant S kit only.)

Nil	Without input block
1	M12, 2 inputs
2	M12, 4 inputs
3	M8, 4 inputs

Number of input blocks
(Enter EX250/600-compliant S kit only.)

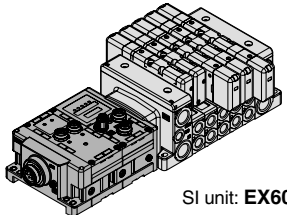
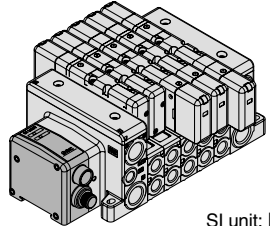
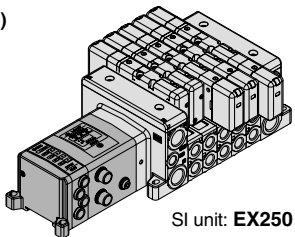
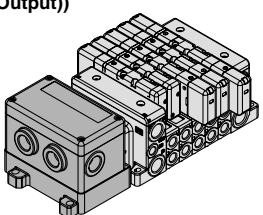
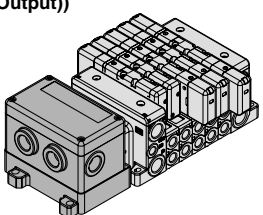
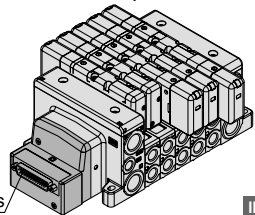
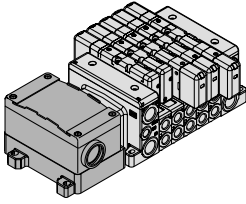
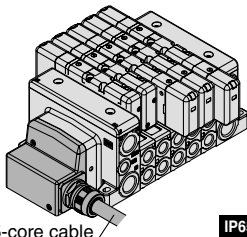
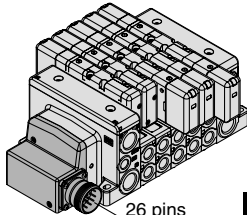
Nil	Without SI unit/input block
0	Without input block
1	With 1 input block
↓	↓
8	With 8 input blocks

SI unit COM

SI unit COM		EX250 integrated-type (I/O) serial transmission system						
		DeviceNet™	PROFIBUS DP	CC-Link	AS-Interface	CANopen	ContorlNet	EtherNet/IP™
Nil	+COM	—	—	○	—	—	—	—
N	-COM	○	○	—	○	○	○	○
SI unit COM		EX500 gateway-type serial transmission system				EX126		
		DeviceNet™	PROFIBUS DP	CC-Link	EtherNet/IP™	CC-Link		
Nil	+COM	○	○	○	○	○		
N	-COM	○	○	○	○	—		
SI unit COM		EX600 integrated-type (I/O) serial transmission system						
		DeviceNet™	PROFIBUS DP	CC-Link				
Nil	+COM	○	○	○				
N	-COM	○	○	○				

Kit type/Electrical entry/Cable length

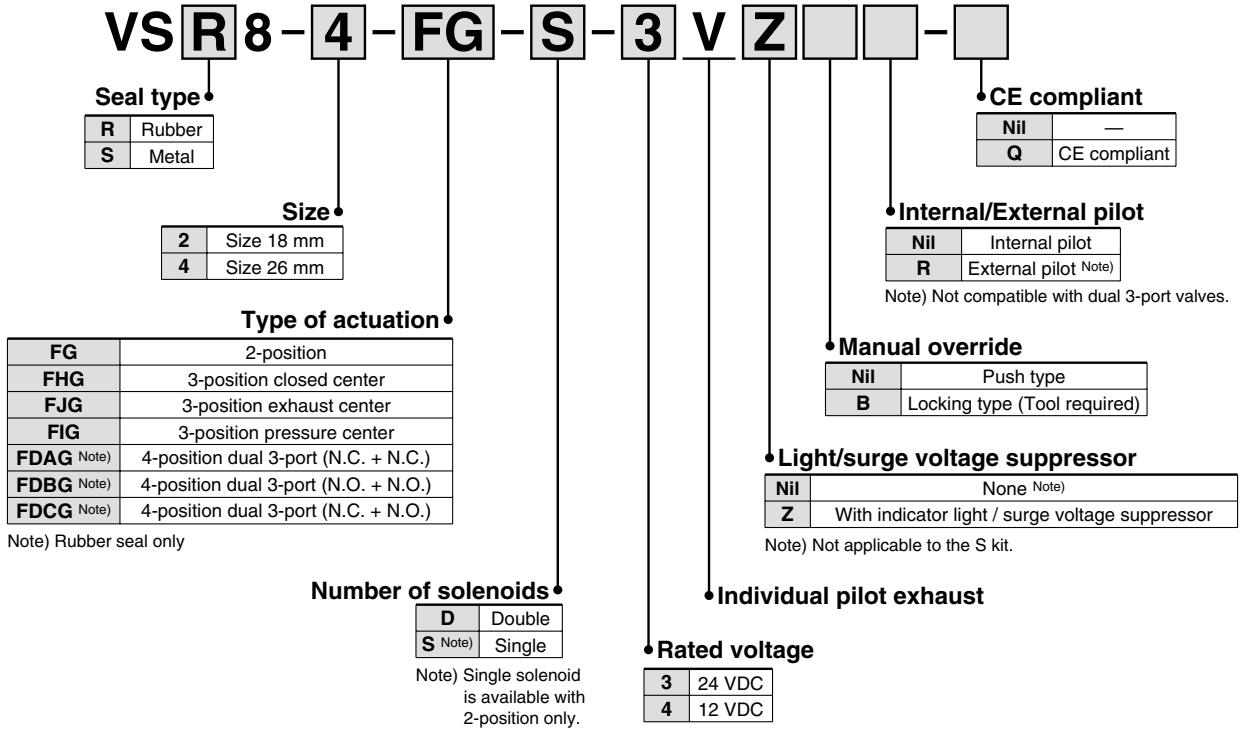
* Numbers in parentheses represent the maximum number of solenoids in case of mixed single and double wiring. The maximum number of stations is determined by the total number of solenoids. When ordering mixed wiring, please add the option symbol "K".

S kit (Serial transmission: EX600 integrated type (I/O))		 <p>SI unit: EX600</p>		S kit (Serial transmission: EX500 gateway type)		 <p>SI unit: EX500</p>				
SD60	Without SI unit	1 to 12 stations (24)		SD0	Without SI unit	1 to 8 stations (16)	IP65 compliant			
SD6Q	DeviceNet™			SDA2	DeviceNet™, PROFIBUS DP, CC-Link, EtherNet/IP™					
SD6N	PROFIBUS DP			Note) A separate gateway unit and communication cable are required.						
SD6V	CC-Link									
S kit (Serial transmission: EX250 integrated type (I/O))		 <p>SI unit: EX250</p>				IP40 compliant IP65 compliant				
SD0	Without SI unit	1 to 12 stations (24)		SDTA	AS-Interface, 8 in/8 out, 31 slave modes, 2 power supply systems	1 to 4 stations (8)	SDY	CANopen	1 to 12 stations (24)	
SDQ	DeviceNet™			SDTB	AS-Interface, 4 in/4 out, 31 slave modes, 2 power supply systems	1 to 2 stations (4)		SDZCN		ControlNet (IP40) Note 2)
SDN	PROFIBUS DP			SDTC (Note 1)	AS-Interface, 8 in/8 out, 31 slave modes, 1 power supply systems	1 to 4 stations (8)		SDZEN		EtherNet/IP™
SDV	CC-Link			SDTD (Note 1)	AS-Interface, 4 in/4 out, 31 slave modes, 1 power supply systems	1 to 2 stations (4)				
S kit (Serial transmission: EX126 integrated type (Output))		 <p>SI unit: EX126</p>		F kit (D-sub connector)		 <p>SI unit: EX126</p>				
		IP65 compliant		 <p>25 pins</p>		IP40 compliant				
SDVB	CC-Link	1 to 8 stations (16)		FD0	D-sub connector (25P) without cable	1 to 12 stations (24)	PD0	Flat ribbon cable (26P) without cable	1 to 12 stations (24)	
				FD1	D-sub connector (25P) with 1.5 m cable		PD1	Flat ribbon cable (26P) with 1.5 m cable		
				FD2	D-sub connector (25P) with 3.0 m cable		PD2	Flat ribbon cable (26P) with 3.0 m cable		
				FD3	D-sub connector (25P) with 5.0 m cable	PD3	Flat ribbon cable (26P) with 5.0 m cable			
T kit (Terminal block box)		 <p>IP65 compliant</p>		L kit (Lead wire)		 <p>25-core cable</p>		M kit (Circular connector)		
		IP65 compliant		IP65 compliant		 <p>26 pins</p>		IP65 compliant		
TD0	Terminal block box	1 to 10 stations (20)		LD0	Lead wire (25 cores) 0.6 m lead wire	1 to 12 stations (24)	MD0	Circular connector (26P) without cable	1 to 12 stations (24)	
				LD1	Lead wire (25 cores) 1.5 m lead wire		MD1	Circular connector (26P) with 1.5 m cable		
				LD2	Lead wire (25 cores) 3.0 m lead wire		MD2	Circular connector (26P) with 3.0 m cable		
						MD3	Circular connector (26P) with 5.0 m cable			

* The maximum number of stations in parentheses is applied to the special wiring specifications. (Option "K")
 Note 1) When selecting SI units with SDTC or SDTD specifications, there are limits to the supply current from the SI unit to the input block or valve. Refer to the operation manual for details.
 Note 2) When selecting SI units with SDZCN specifications only, IP40 is compatible. (All other SI units are IP65 compliant.)

Series VS^SR8-2/VS^SR8-4

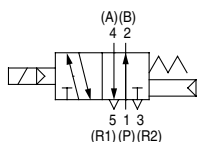
How to Order Valve (ISO15407-2)



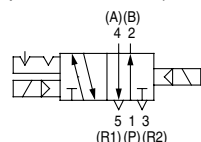
Standard Specifications

Symbol

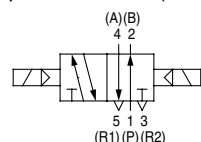
2-position single



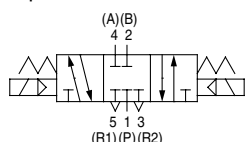
2-position double (Metal)



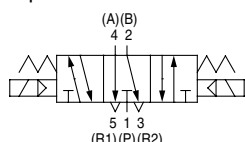
2-position double (Rubber)



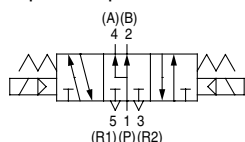
3-position closed center



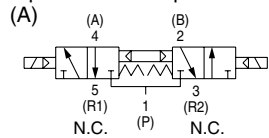
3-position exhaust center



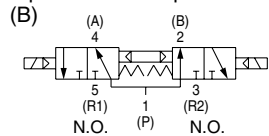
3-position pressure center



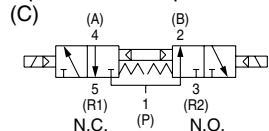
4-position dual 3-port valve (Note)



4-position dual 3-port valve (Note)



4-position dual 3-port valve (Note)



Note) Rubber seal only

Valve specifications	Valve type	Metal seal	Rubber seal	
	Fluid	Air, Inert gas		
	Maximum operating pressure	1.0 MPa		
	Minimum operating pressure	Single	0.1 MPa	0.15 MPa
		Double	0.1 MPa	0.1 MPa
		3-position	0.15 MPa	0.2 MPa
		4-position	—	0.15 MPa
	Ambient and fluid temperature	-10° to 60°C Note 1)	-5° to 60°C Note 1)	
	Lubrication	Not required (Non-lube)		
	Manual override	Push type (Tool required)/Locking type (Tool required)		
Impact/Vibration resistance	150, 30 ms ² Note 2)			
Enclosure	IP65 (Dust-tight/Water-jet-proof)			
Electrical specifications	Rated coil voltage	12 VDC, 24 VDC		
	Allowable voltage fluctuation	±10% of rated voltage		
	Type of coil insulation	Equivalent to Class B		
	Power consumption (Current)	24 VDC	1 W DC (42 mA)	
		12 VDC	1 W DC (83 mA)	

Note 1) Use dry air to prevent condensation at low temperatures.

Note 2) Impact resistance: No malfunction resulted during an impact test using a drop impact tester. The test was performed one time each in the axial and right angle directions of the main valve and armature for both energized and de-energized conditions.

Vibration resistance: No malfunction resulted during a one-sweep test between 8.3 and 2000 Hz. The test was performed in the axial and right angle directions of the main valve and armature for both energized and de-energized conditions.

Manifold Specifications

Series	Manifold model	Port size			Mass (g)		Wiring specifications		
		1, 3 (P, R)	2, 4 (A, B)	12, 14 (PE, X)	Note 1) 1-station manifold	1-station addition	Type	Max. number of solenoids	Mass (g)
VS _R 8-2 (Size 18 mm)	VV802	3/8" Built-in silencer (Option)	1/8" (Side, Bottom)	1/8"	985	170	S kit: Serial transmission		
							• Gateway-type (EX500)	16	90
							• For I/O (EX250)	24 Note 2)	250
							• For I/O (EX600)	24	300
VS _R 8-4 (Size 26 mm)	VV801	1/2" Built-in silencer (Option)	3/8" (Side) 1/4" (Side, Bottom)	1/8"	1240	330	• For Output (EX126)	16	240
							F kit: D-sub connector	24	70
							P kit: Flat ribbon cable connector	24	70
							T kit: Terminal block box	20	390
							L kit: Lead wire	24	215
M kit: Circular connector	24	170							

Note 1) Mass for each wiring part is not included.

Note 2) The maximum number of solenoids for the unit compatible with the AS-Interface is 4 or 8, depending on the specifications.

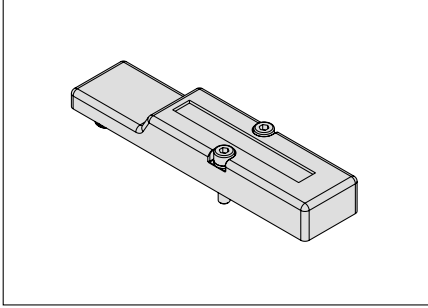
Flow-rate Characteristics

Series	Type of actuation	Seal	Flow-rate characteristics						Response time (msec)	Mass (g)		
			1 → 4, 2 (P → A, B)			4, 2 → 5, 3 (A, B → EA, EB)						
			C [dm ³ /(s·bar)]	b	Cv	C [dm ³ /(s·bar)]	b	Cv				
VS _R 8-2 (Size 18 mm)	2-position	Single	Metal	1.50	0.10	0.30	1.70	0.10	0.30	20 or less	140	
			Rubber	2.20	0.20	0.50	2.20	0.10	0.50	25 or less	140	
		Double	Metal	1.50	0.10	0.30	1.70	0.10	0.30	13 or less	170	
			Rubber	2.20	0.20	0.50	2.20	0.10	0.50	15 or less	170	
	3-position	Closed center	Metal	1.50	0.10	0.30	1.60	0.10	0.30	36 or less	185	
			Rubber	2.20	0.20	0.50	2.10	0.10	0.40	40 or less	185	
		Exhaust center	Metal	1.30	0.10	0.20	1.60	0.10	0.20	36 or less	185	
			Rubber	2.00	0.16	0.50	2.10	0.10	0.40	40 or less	185	
		Pressure center	Metal	1.60	0.10	0.20	1.50	0.10	0.20	36 or less	185	
			Rubber	2.20	0.20	0.50	2.10	0.10	0.40	40 or less	185	
4-position	Dual 3-port	Rubber	1.50	0.20	0.30	1.50	0.20	0.30	40 or less	170		
VS _R 8-4 (Size 26 mm)	2-position	Single	Metal	3.10	0.10	0.60	3.40	0.10	0.70	45 or less	225	
			Rubber	3.60	0.28	0.90	4.20	0.20	1.00	50 or less	215	
		Double	Metal	3.10	0.10	0.60	3.40	0.10	0.70	15 or less	260	
			Rubber	3.60	0.28	0.90	4.20	0.20	1.00	20 or less	250	
	3-position	Closed center	Metal	3.10	0.10	0.60	3.20	0.10	0.60	70 or less	285	
			Rubber	3.20	0.34	0.80	4.20	0.30	1.00	80 or less	275	
		Exhaust center	Metal	2.70	0.10	0.60	3.30	0.10	0.70	70 or less	285	
			Rubber	3.10	0.26	0.80	4.00	0.25	1.10	80 or less	275	
		Pressure center	Metal	3.20	0.10	0.70	3.20	0.10	0.60	70 or less	285	
			Rubber	4.40	0.25	1.00	3.60	0.25	1.00	80 or less	275	
		4-position	Dual 3-port	Rubber	3.10	0.28	0.60	3.10	0.28	0.60	80 or less	250

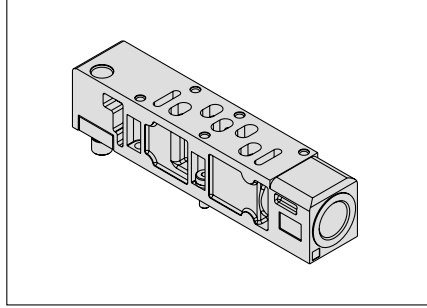
Series VS_{R8-2}^S/VS_{R8-4}^S

Manifold Options Refer to pages 23 through to 26 for details.

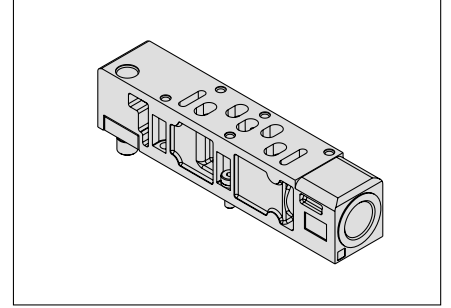
Blanking plate assembly
VVS8020-11A (Size 18 mm)
VVS8040-11A (Size 26 mm)



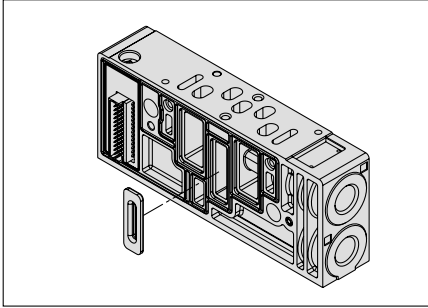
Individual SUP spacer
VV802-P-01□ (Size 18 mm)
VV801-P-03□ (Size 26 mm)



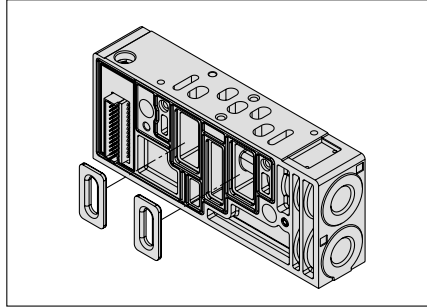
Individual EXH spacer
VV802-R-01□ (Size 18 mm)
VV801-R-03□ (Size 26 mm)



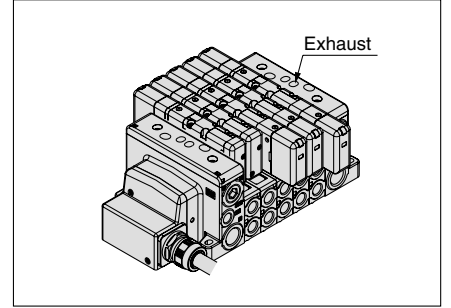
SUP block plate
VVS8020-16A (Size 18 mm)
VVS8040-16A (Size 26 mm)



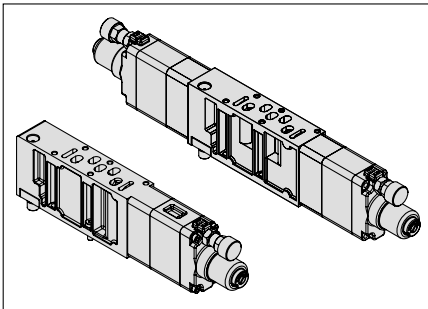
EXH block plate
VVS8020-19A (Size 18 mm)
VVS8040-19A (Size 26 mm)



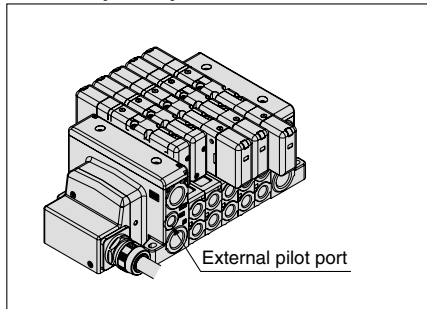
Direct EXH outlet with built-in silencer [-S]



Interface regulator
VVS8040-ARB-□-1

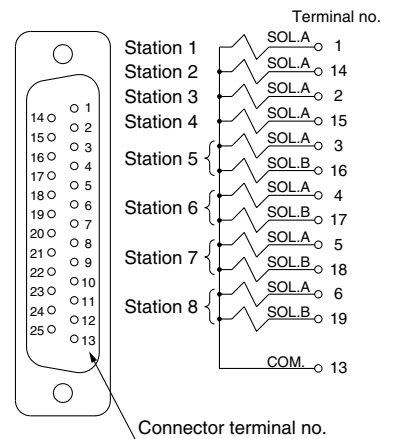


External pilot specification



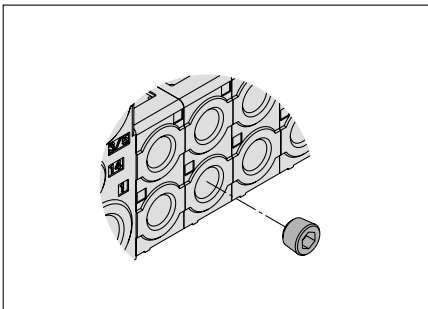
Special electrical wiring specifications [-K]

D-sub connector



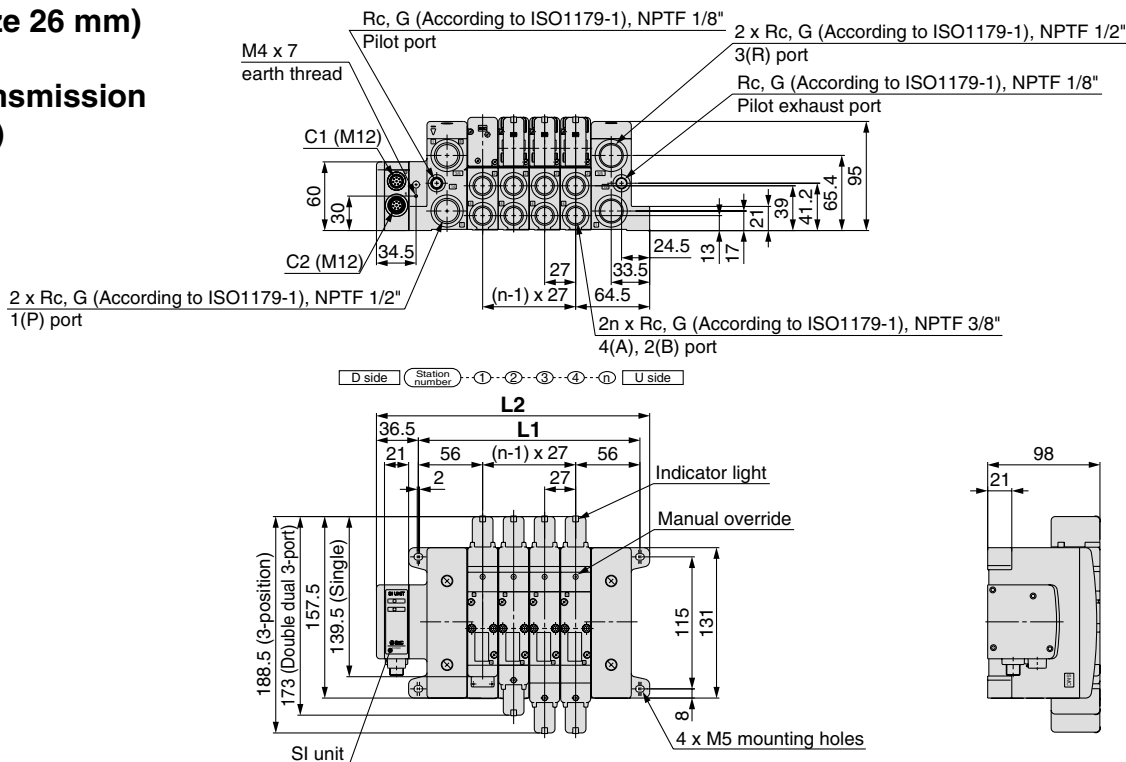
Standard manifolds are for double wiring, but mixed wiring (single and double wiring) can be specified as an option.

Port plug
AXT954-□



S Series **VS_{RS}8-2**
kit (Serial transmission) For EX500 Gateway-type serial transmission system **IP65 compliant**

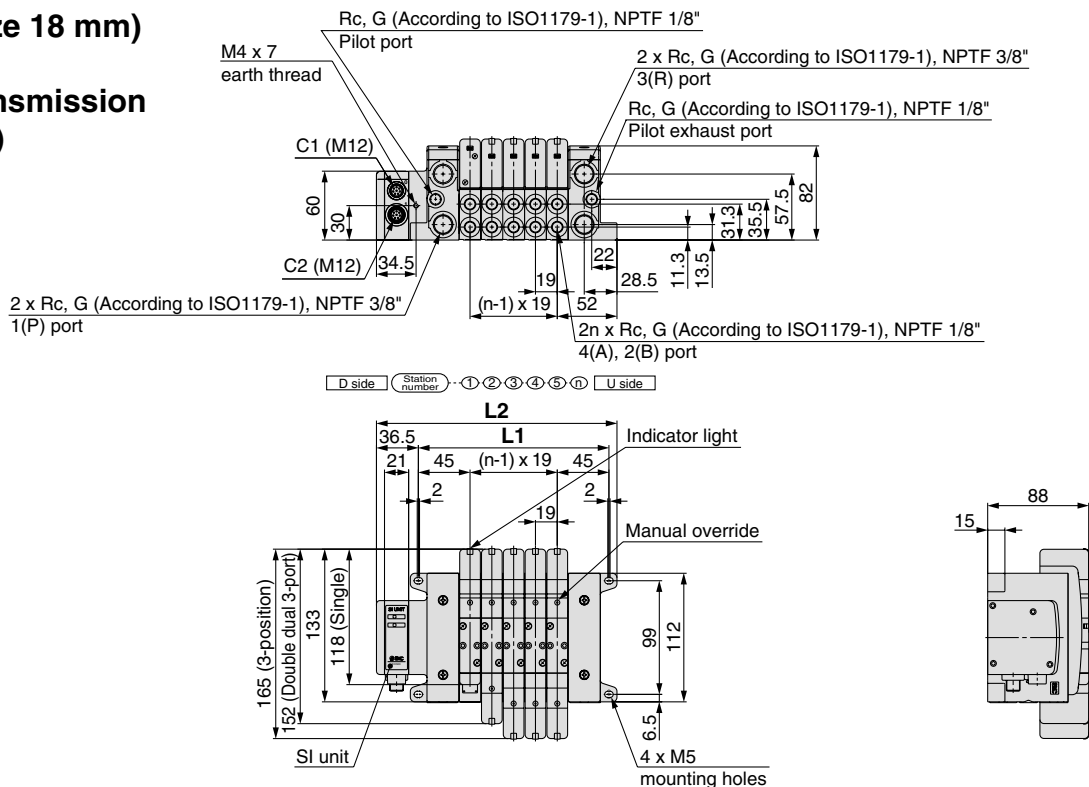
VV801 (Size 26 mm)
S kit
(Serial transmission kit: EX500)



Dimension (mm) Formula: $L1 = 27n + 85$, $L2 = 27n + 130$ n: Stations (Maximum 16 stations)

L \ n	1	2	3	4	5	6	7	8	9	10	11	12	13	14	15	16
L1	112	139	166	193	220	247	274	301	328	355	382	409	436	463	490	517
L2	157	184	211	238	265	292	319	346	373	400	427	454	481	508	535	562

VV802 (Size 18 mm)
S kit
(Serial transmission kit: EX500)



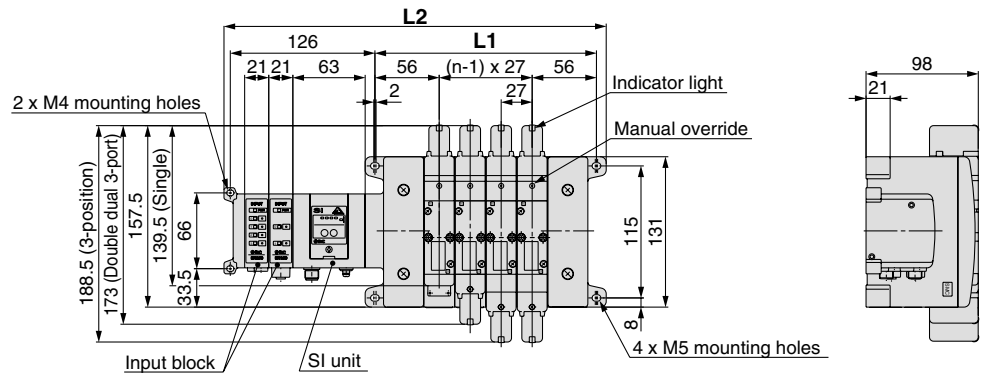
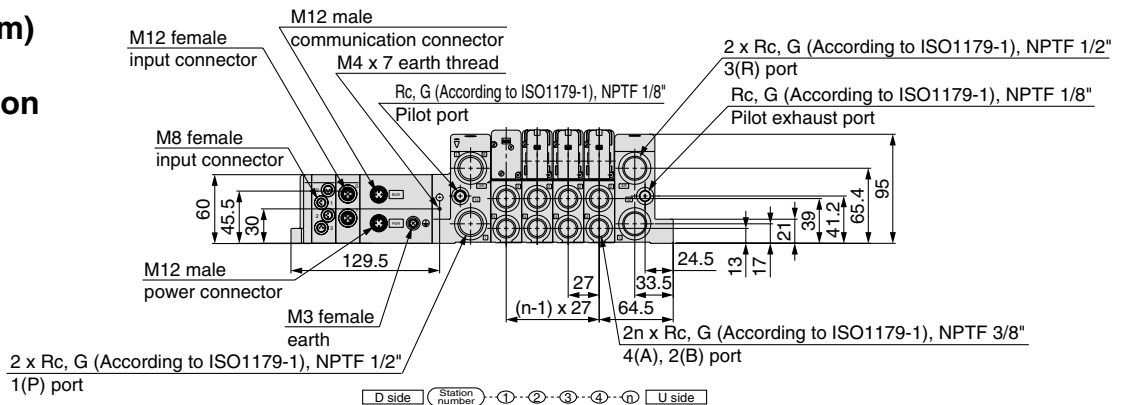
Dimension (mm) Formula: $L1 = 19n + 71$, $L2 = 19n + 114.5$ n: Stations (Maximum 16 stations)

L \ n	1	2	3	4	5	6	7	8	9	10	11	12	13	14	15	16
L1	90	109	128	147	166	185	204	223	242	261	280	299	318	337	356	375
L2	133.5	152.5	171.5	190.5	209.5	228.5	247.5	266.5	285.5	304.5	323.5	342.5	361.5	380.5	399.5	418.5

Series VS_R8-2/VS_R8-4

S Series VS_R8-2 kit (Serial transmission) For EX250 Integrated-type (I/O) serial transmission system **IP65 compliant**

VV801 (Size 26 mm)
S kit
(Serial transmission kit: EX250)



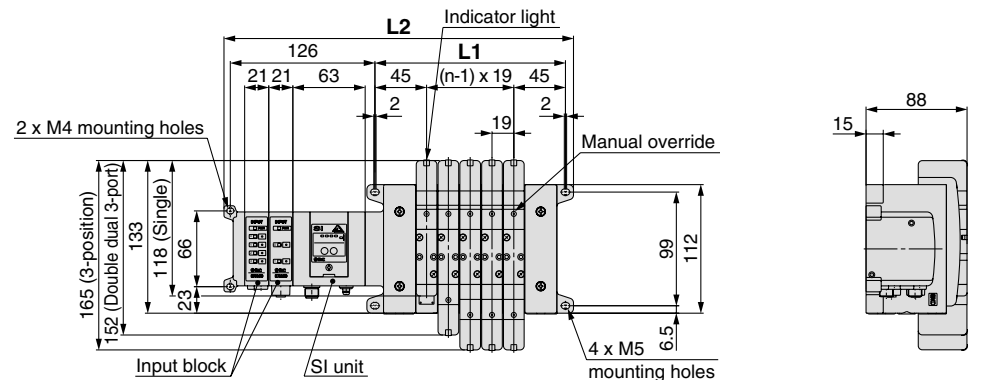
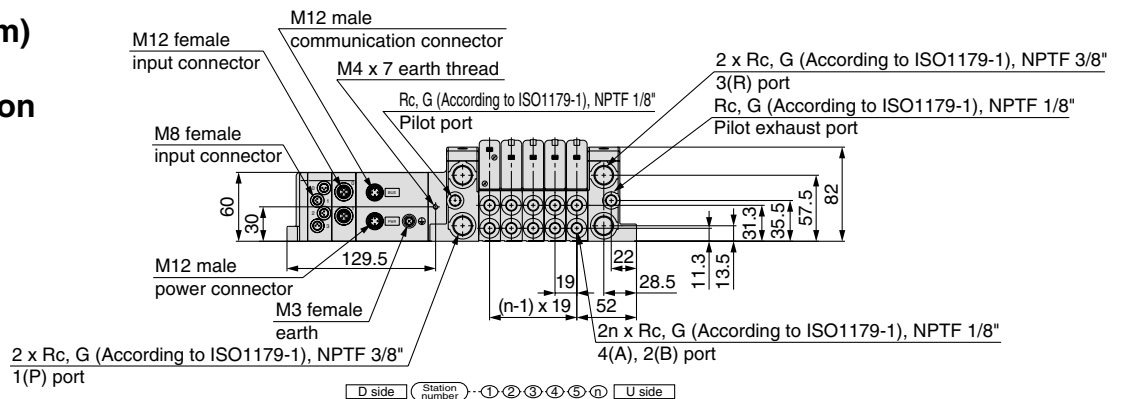
Dimension (mm)

Formula: $L1 = 27n + 85$, $L2^* = 27n + 204$ n: Stations (Maximum 16 stations)

L \ n	1	2	3	4	5	6	7	8	9	10	11	12	13	14	15	16
L1	112	139	166	193	220	247	274	301	328	355	382	409	436	463	490	517
L2	231	258	285	312	339	366	393	420	447	474	501	528	555	582	609	636

* In case of 1 piece in the input block. The dimension is added by 21 mm at 1 piece addition.

VV802 (Size 18 mm)
S kit
(Serial transmission kit: EX250)



Dimension (mm)

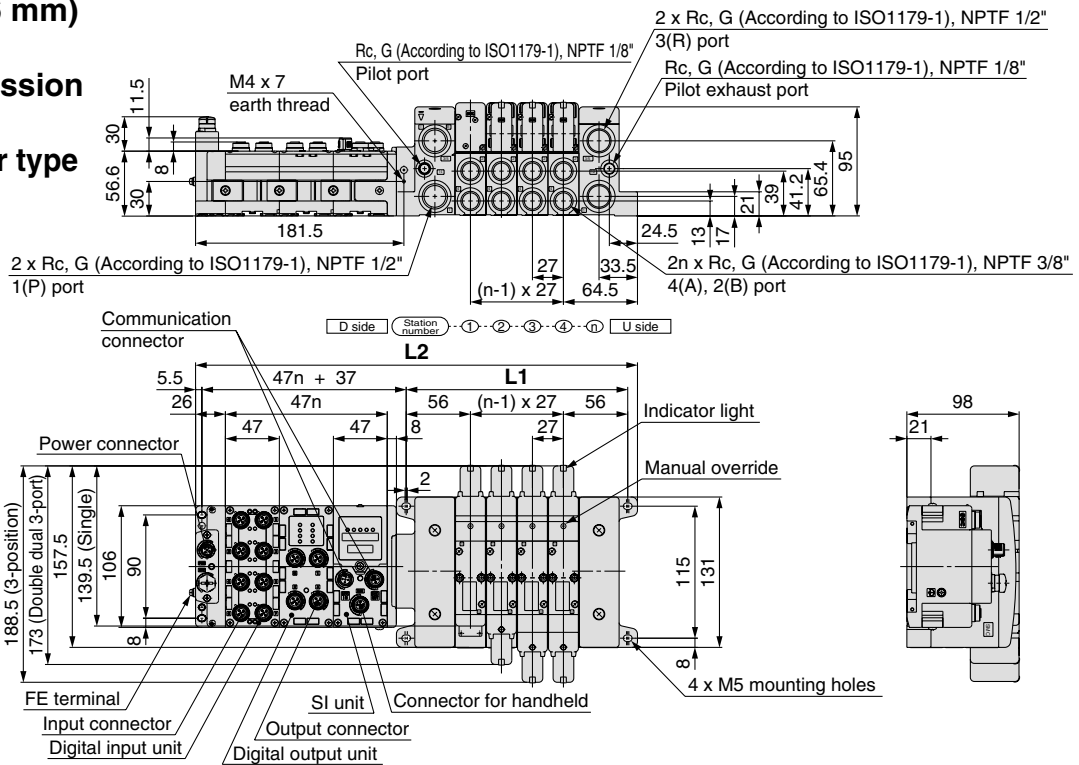
Formula: $L1 = 19n + 71$, $L2^* = 19n + 188.5$ n: Stations (Maximum 16 stations)

L \ n	1	2	3	4	5	6	7	8	9	10	11	12	13	14	15	16
L1	90	109	128	147	166	185	204	223	242	261	280	299	318	337	356	375
L2	207.5	226.5	245.5	264.5	283.5	302.5	321.5	340.5	359.5	378.5	397.5	416.5	435.5	454.5	473.5	492.5

* In case of 1 piece in the input block. The dimension is added by 21 mm at 1 piece addition.

S Series **VS_{RS}8-2**
 kit (Serial transmission) For EX600 Integrated-type (I/O) serial transmission system **IP65 compliant**

VV801 (Size 26 mm)
 S kit
 (Serial transmission
 kit: EX600)
 M12 connector type

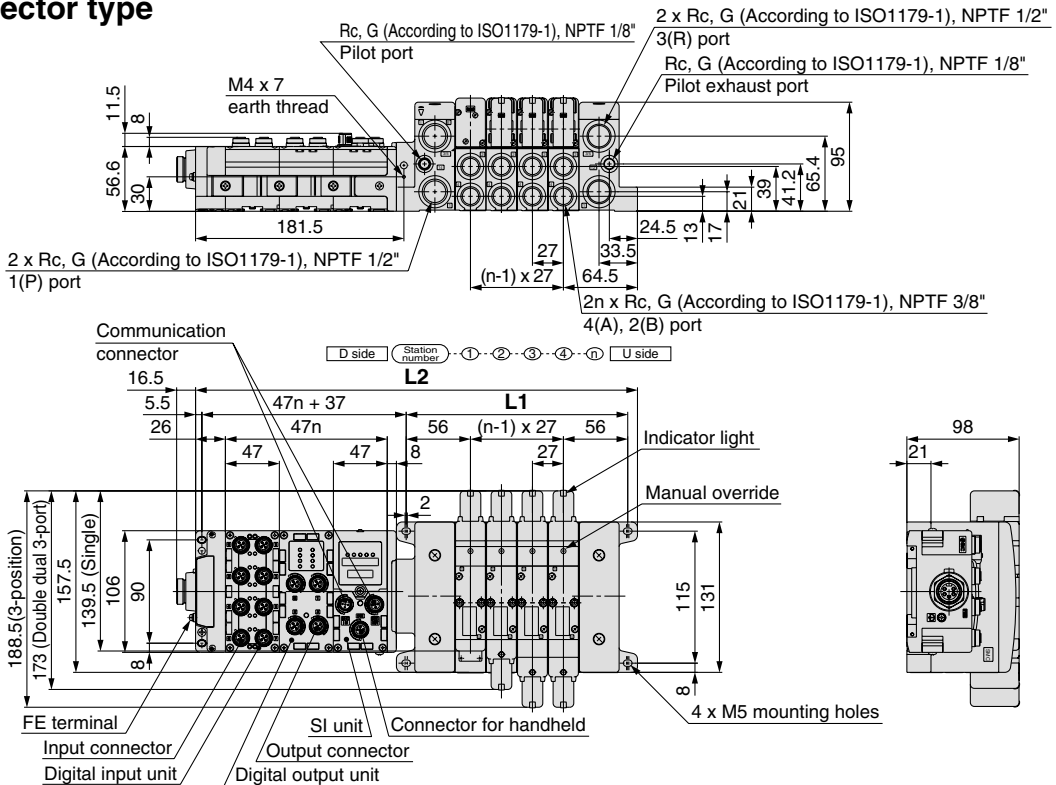


Dimension (mm) Formula: L1 = 27n + 85, L2* = 27n + 183 n: Stations (Maximum 16 stations)

L \ n	1	2	3	4	5	6	7	8	9	10	11	12	13	14	15	16
L1	112	139	166	193	220	247	274	301	328	355	382	409	436	463	490	517
L2	210	237	264	291	318	345	372	399	426	453	480	507	534	561	588	615

* In case of without input/output unit. The dimension is added by 47 mm at 1 piece addition.

7/8 inch connector type



Dimension (mm) Formula: L1 = 27n + 85, L2* = 27n + 183 n: Stations (Maximum 16 stations)

L \ n	1	2	3	4	5	6	7	8	9	10	11	12	13	14	15	16
L1	112	139	166	193	220	247	274	301	328	355	382	409	436	463	490	517
L2	210	237	264	291	318	345	372	399	426	453	480	507	534	561	588	615

* In case of without input/output unit. The dimension is added by 47 mm at 1 piece addition.

Series VS_{R8-2}^S/VS_{R8-4}^S

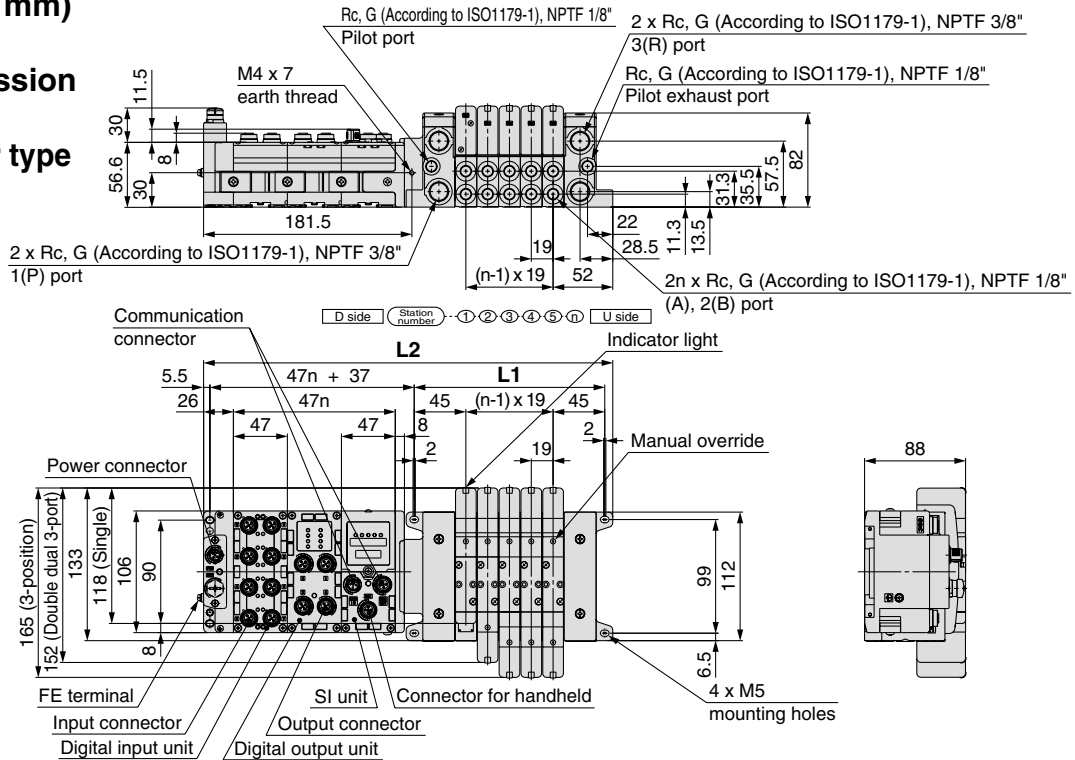
S

Series VS_{R8-2}^S

kit (Serial transmission) For EX600 Integrated-type (I/O) serial transmission system

IP65 compliant

VV801 (Size 26 mm)
S kit
 (Serial transmission
 kit: EX600)
 M12 connector type

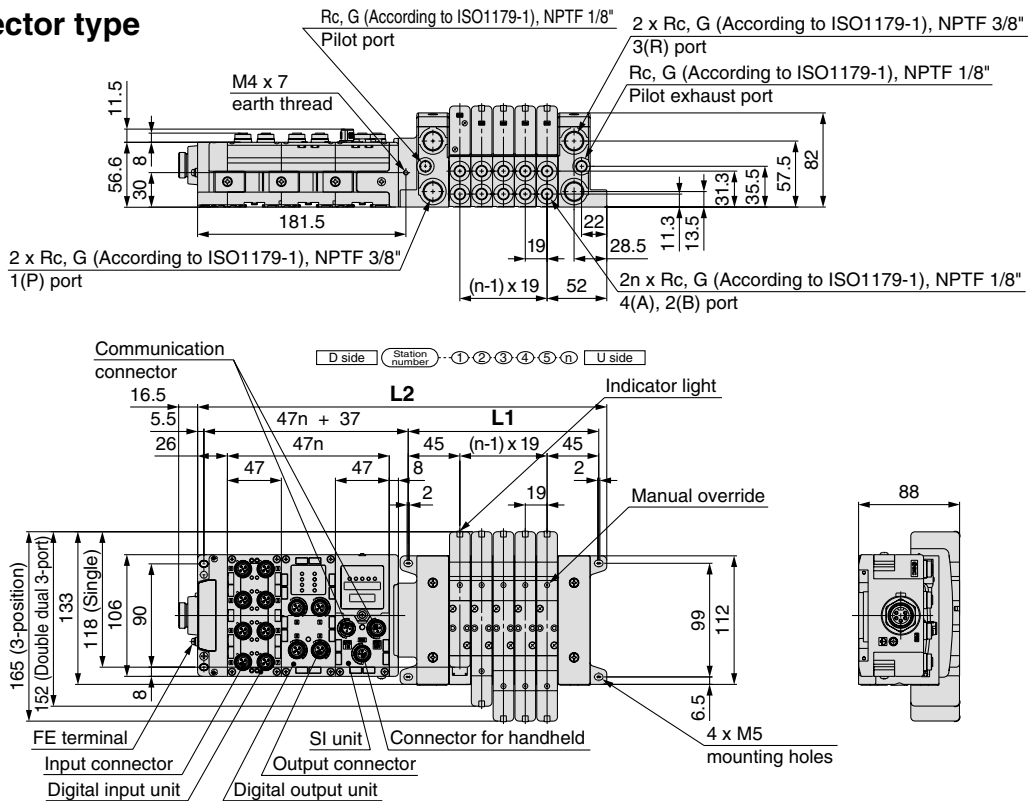


Dimension (mm) Formula: $L1 = 19n + 71$, $L2^* = 19n + 167.5$ n: Stations (Maximum 16 stations)

L \ n	1	2	3	4	5	6	7	8	9	10	11	12	13	14	15	16
L1	90	109	128	147	166	185	204	223	242	261	280	299	318	337	356	375
L2	186.5	205.5	224.5	243.5	262.5	281.5	300.5	319.5	338.5	357.5	376.5	395.5	414.5	433.5	452.5	471.5

* In case of without input/output unit. The dimension is added by 47 mm at 1 piece addition.

7/8 inch connector type



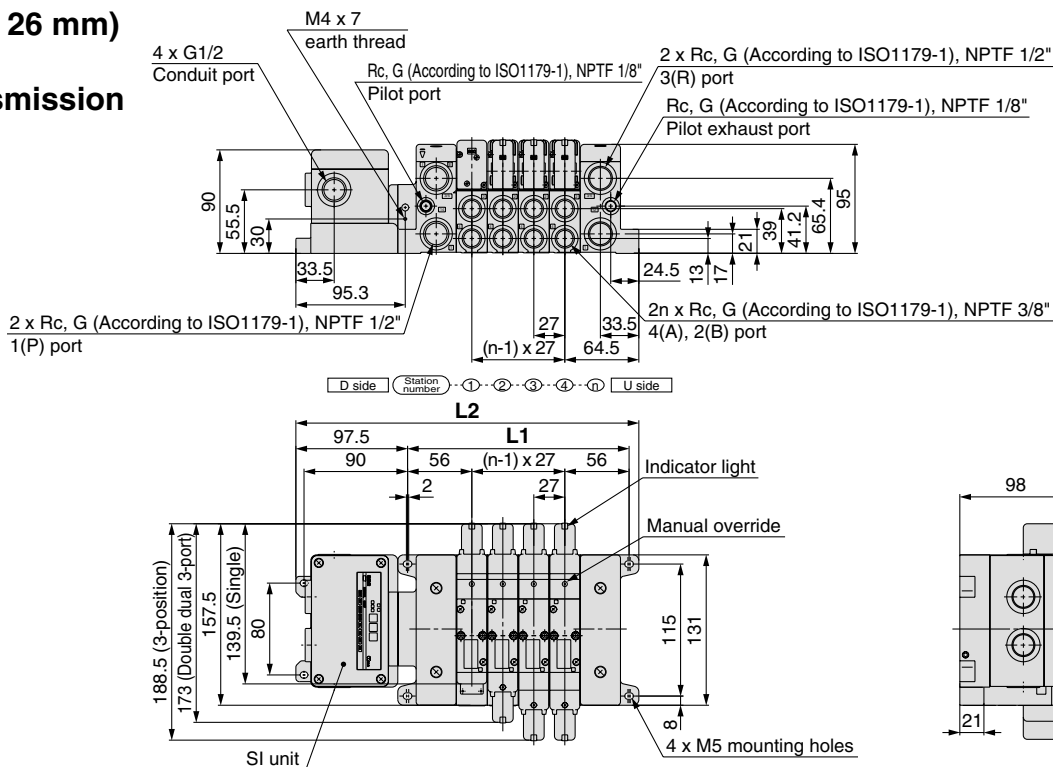
Dimension (mm) Formula: $L1 = 19n + 71$, $L2^* = 19n + 167.5$ n: Stations (Maximum 16 stations)

L \ n	1	2	3	4	5	6	7	8	9	10	11	12	13	14	15	16
L1	90	109	128	147	166	185	204	223	242	261	280	299	318	337	356	375
L2	186.5	205.5	224.5	243.5	262.5	281.5	300.5	319.5	338.5	357.5	376.5	395.5	414.5	433.5	452.5	471.5

* In case of without input/output unit. The dimension is added by 47 mm at 1 piece addition.

S Series **VS_R8-2**
kit (Serial transmission: For EX126 Integrated-type (Output) serial transmission system) **IP65 compliant**

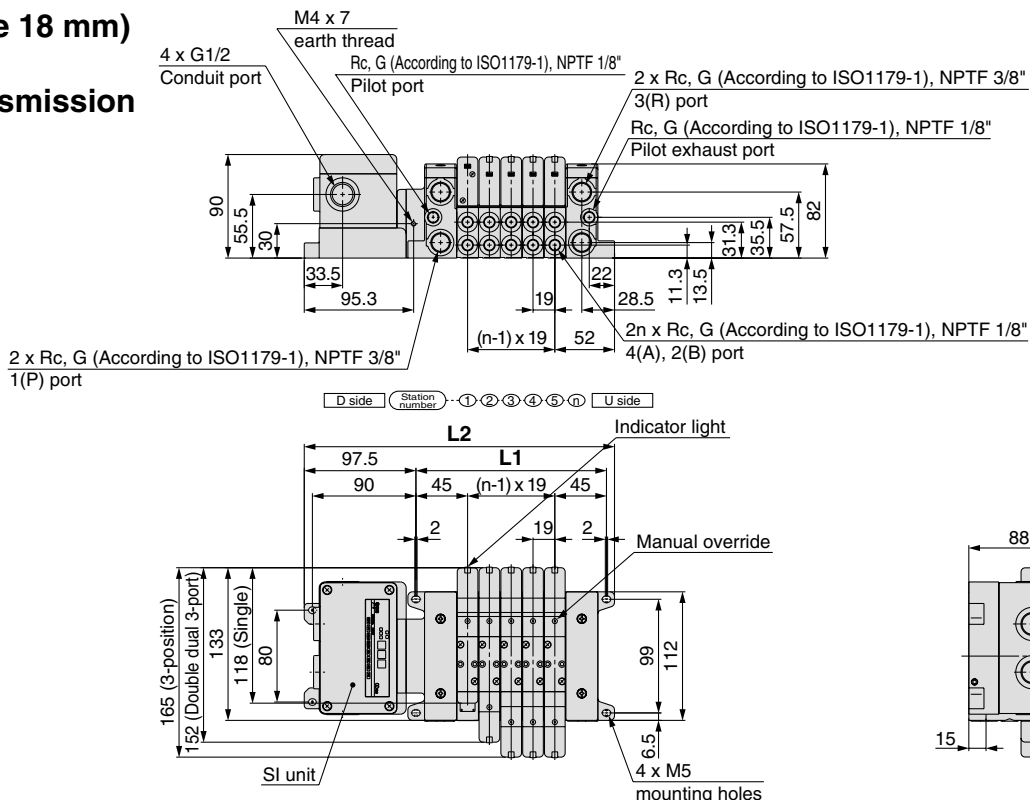
VV801 (Size 26 mm)
S kit
(Serial transmission kit: EX126)



Dimension (mm) Formula: $L1 = 27n + 85$, $L2 = 27n + 191$ n: Stations (Maximum 16 stations)

L \ n	1	2	3	4	5	6	7	8	9	10	11	12	13	14	15	16
L1	112	139	166	193	220	247	274	301	328	355	382	409	436	463	490	517
L2	218	245	272	299	326	353	380	407	434	461	488	515	542	569	596	623

VV802 (Size 18 mm)
S kit
(Serial transmission kit: EX126)



Dimension (mm) Formula: $L1 = 19n + 71$, $L2 = 19n + 175.5$ n: Stations (Maximum 16 stations)

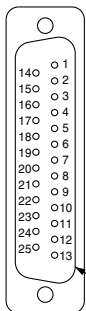
L \ n	1	2	3	4	5	6	7	8	9	10	11	12	13	14	15	16
L1	90	109	128	147	166	185	204	223	242	261	280	299	318	337	356	375
L2	194.5	213.5	232.5	251.5	270.5	289.5	308.5	327.5	346.5	365.5	384.5	403.5	422.5	441.5	460.5	479.5

F Series $V_{SR}8-2$ kit (D-sub connector) IP40 compliant

- Using our D-sub connector greatly reduces labor, while it also minimizes wiring and saves space.
- We use a D-sub connector (25P) that conforms to MIL standards and is therefore widely compatible with many standard commercial models.
- Top or side entry for the connector can be changed freely, allowing for changes even after mounting, to meet any changing needs for space.

Electrical Wiring Specifications

D-sub connector

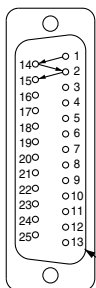


As the standard electrical wiring specifications, double wiring (connected to SOL. A and SOL. B) is adopted for the internal wiring of each station for 12 stations or less, regardless of valve and option types. Mixed single and double wiring are available as an option. Refer to the below special wiring specifications (option).

Lead wire colors for D-sub connector assembly (AXT100-DS25-015/030/050)

Terminal no.	Lead wire color	Dot marking
Station 1 SOL.A 1	Black	None
Station 1 SOL.B 14	Yellow	Black
Station 2 SOL.A 2	Brown	None
Station 2 SOL.B 15	Pink	Black
Station 3 SOL.A 3	Red	None
Station 3 SOL.B 16	Blue	White
Station 4 SOL.A 4	Orange	None
Station 4 SOL.B 17	Purple	None
Station 5 SOL.A 5	Yellow	None
Station 5 SOL.B 18	Gray	None
Station 6 SOL.A 6	Pink	None
Station 6 SOL.B 19	Orange	Black
Station 7 SOL.A 7	Blue	None
Station 7 SOL.B 20	Red	White
Station 8 SOL.A 8	Purple	White
Station 8 SOL.B 21	Brown	White
Station 9 SOL.A 9	Gray	Black
Station 9 SOL.B 22	Pink	Red
Station 10 SOL.A 10	White	Black
Station 10 SOL.B 23	Gray	Red
Station 11 SOL.A 11	White	Red
Station 11 SOL.B 24	Black	White
Station 12 SOL.A 12	Yellow	Red
Station 12 SOL.B 25	White	None
COM. 13	Orange	Red

Special Wiring Specifications (Option)

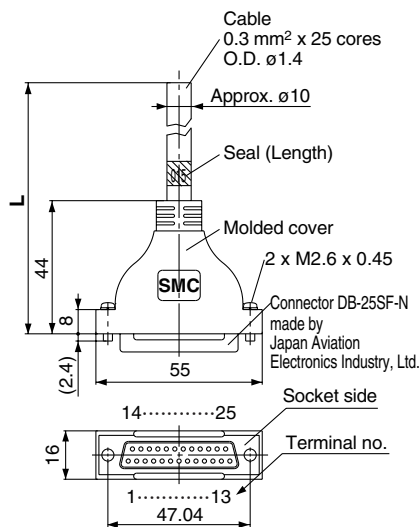


Mixed single and double wiring are available as an option. The maximum number of manifold stations is determined by the number of solenoids. Count one point for a single solenoid type and two points for a double solenoid type. The total number of solenoids (points) must not exceed 24.

Cable Assembly

015
AXT100-DS25-030
050

(D-sub connector cable assembly can be ordered with manifolds.)
(Refer to "How to Order Manifold.")



Lead wire colors for D-sub connector cable assembly terminal numbers

Terminal no.	Lead wire color	Dot marking
1	Black	None
2	Brown	None
3	Red	None
4	Orange	None
5	Yellow	None
6	Pink	None
7	Blue	None
8	Purple	White
9	Gray	Black
10	White	Black
11	White	Red
12	Yellow	Red
13	Orange	Red
14	Yellow	Black
15	Pink	Black
16	Blue	White
17	Purple	None
18	Gray	None
19	Orange	Black
20	Red	White
21	Brown	White
22	Pink	Red
23	Gray	Red
24	Black	White
25	White	None

D-sub connector cable assembly

Cable length (L)	Assembly part no.	Note
1.5 m	AXT100-DS25-015	Cable 0.3 mm ² x 25 cores
3 m	AXT100-DS25-030	
5 m	AXT100-DS25-050	

- * When using a standard commercial connector, use a type 25P female connector conforming to MIL-C-24308.
- * Cannot be used for transfer wiring.
- * Lengths other than the above is also available. Please contact SMC for details.

Electrical characteristics

Item	Property
Conductor resistance $\Omega/\text{km}, 20^\circ\text{C}$	65 or less
Voltage limit V, 1 minute, AC	1000
Insulation resistance $\text{M}\Omega/\text{km}, 20^\circ\text{C}$	5 or more

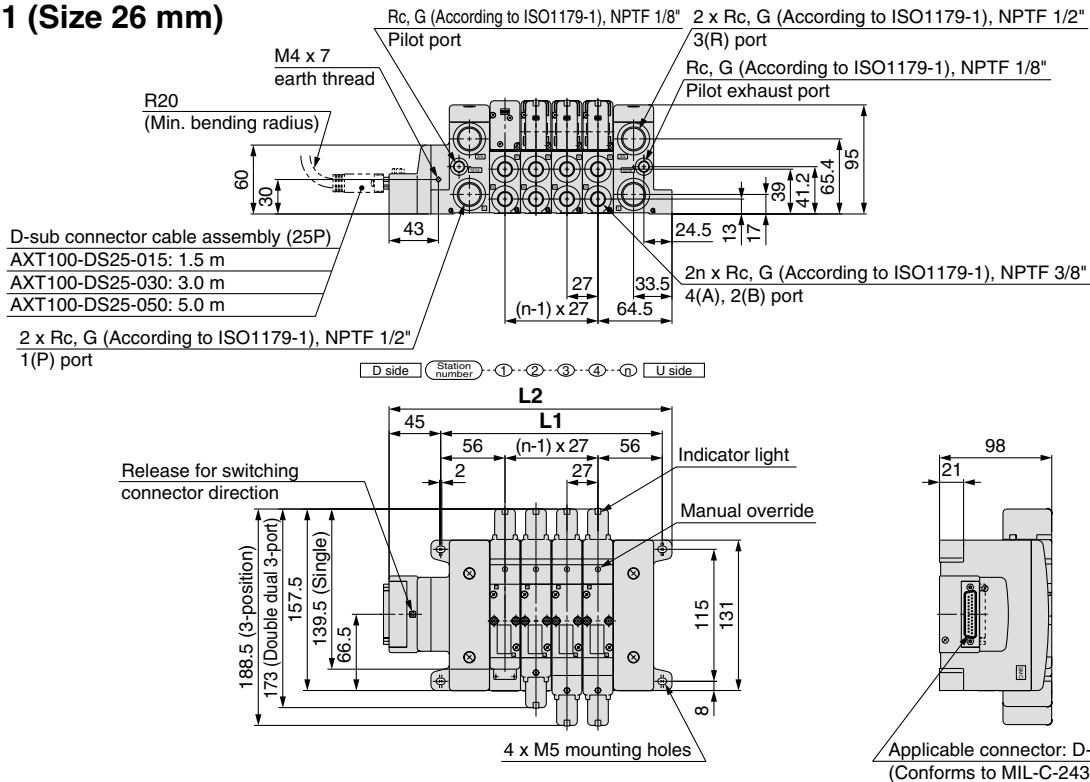
Note) The minimum bending radius of the D-sub connector cables is 20 mm.

Connector Manufacturers' Example

- Fujitsu, Ltd.
- Japan Aviation Electronics Industry, Ltd.
- J.S.T. Mfg. Co., Ltd.
- Hirose Electric Co., Ltd.

F Series VS_R8-2
kit (D-sub connector) IP40 compliant

VV801 (Size 26 mm)

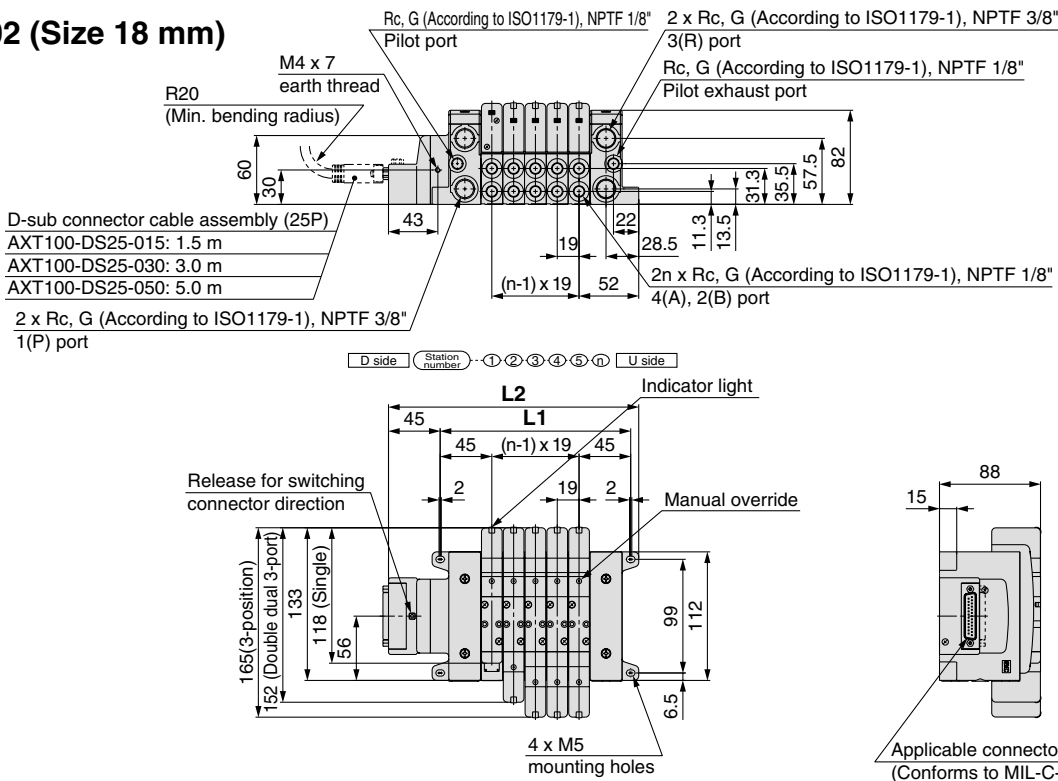


Dimension (mm)

Formula: L1 = 27n + 85, L2 = 27n + 138.5 n: Stations (Maximum 16 stations)

L \ n	1	2	3	4	5	6	7	8	9	10	11	12	13	14	15	16
L1	112	139	166	193	220	247	274	301	328	355	382	409	436	463	490	517
L2	165.5	192.5	219.5	246.5	273.5	300.5	327.5	354.5	381.5	408.5	435.5	462.5	489.5	516.5	543.5	570.5

VV802 (Size 18 mm)



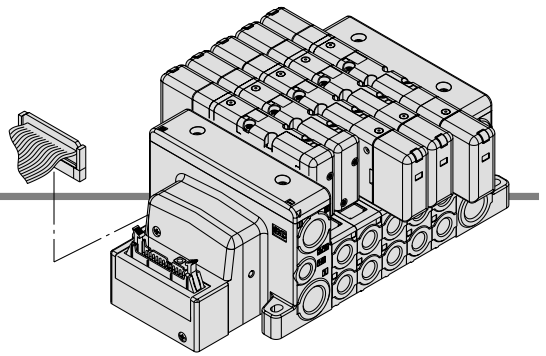
Dimension (mm)

Formula: L1 = 19n + 71, L2 = 19n + 123 n: Stations (Maximum 16 stations)

L \ n	1	2	3	4	5	6	7	8	9	10	11	12	13	14	15	16
L1	90	109	128	147	166	185	204	223	242	261	280	299	318	337	356	375
L2	142	161	180	199	218	237	256	275	294	313	332	351	370	389	408	427

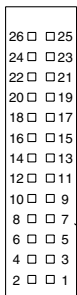
P Series VS_{R8-2}^S kit (Flat ribbon cable) IP40 compliant

- Using our flat ribbon cable greatly reduces labor, while it also minimizes wiring and saves space.
- We use flat ribbon cables whose connectors (26P) conform to MIL standards, and are therefore widely compatible with many standard commercial models.
- Top or side entry for the connector can be changed freely, allowing for changes even after mounting, to meet any changing needs for space.



Electrical Wiring Specifications

Flat ribbon cable connector

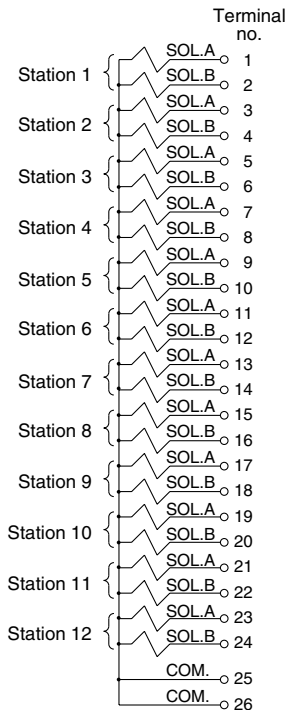


Connector terminal number

Triangle mark indicator position

Double wiring (connected to SOL. A and SOL. B) is adopted for the internal wiring of each station, regardless of valve and option types. Mixed single and double wiring are available as an option. Refer to the below special wiring specifications (option).

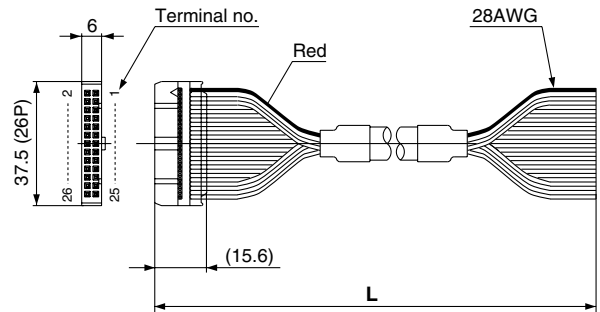
<26P>



Cable Assembly

AXT100-FC26- $\frac{1}{2}$ 3

(Type 26P flat ribbon cable connector assembly can be ordered with manifolds. Refer to "How to Order Manifold.")



Flat ribbon cable connector assembly

Cable length (L)	Assembly part no.
	26P
1.5 m	AXT100-FC26-1
3 m	AXT100-FC26-2
5 m	AXT100-FC26-3

* When using a standard commercial connector, use a type 26P connector conforming to MIL-C-83503 with strain relief.

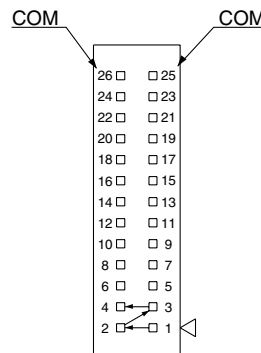
* Cannot be used for transfer wiring.

* Lengths other than the above is also available. Please contact SMC for details.

Connector Manufacturers' Example

- Hirose Electric Co., Ltd.
- Sumitomo 3M Limited
- Fujitsu, Ltd.
- Japan Aviation Electronics Industry, Ltd.
- J.S.T. Mfg. Co., Ltd.
- Oki Electric Cable Co., Ltd.

Special Wiring Specifications (Option)

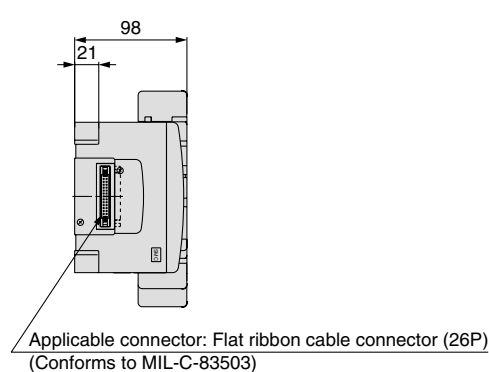
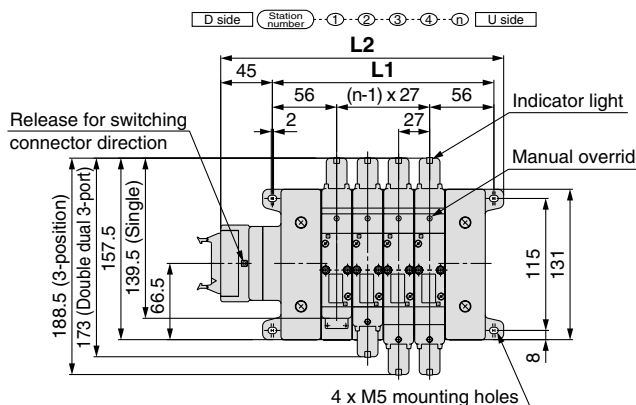
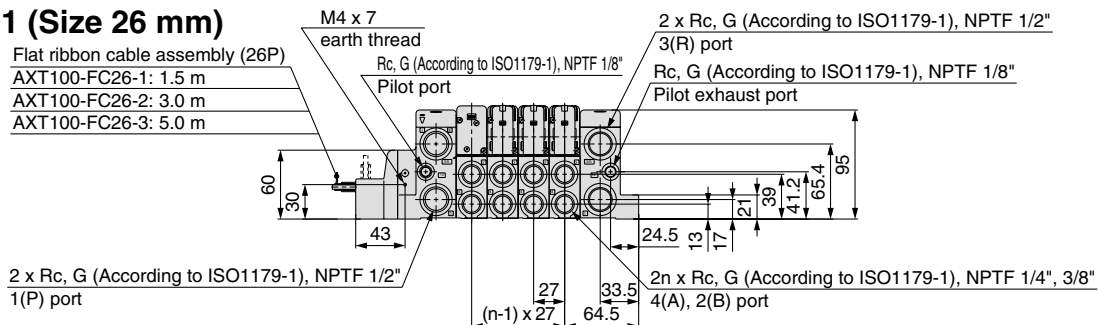


Mixed single and double wiring are available as an option. The maximum number of manifold stations is determined by the number of solenoids. Count one point for a single solenoid type and two points for a double solenoid type. The total number of solenoids (points) must not exceed 24.

P Series **VS_R8-2**
kit (Flat ribbon cable) IP40 compliant

VV801 (Size 26 mm)

Flat ribbon cable assembly (26P)
AXT100-FC26-1: 1.5 m
AXT100-FC26-2: 3.0 m
AXT100-FC26-3: 5.0 m



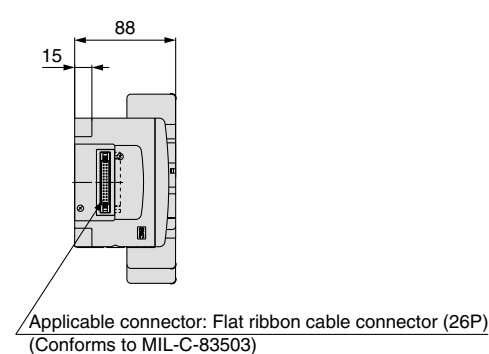
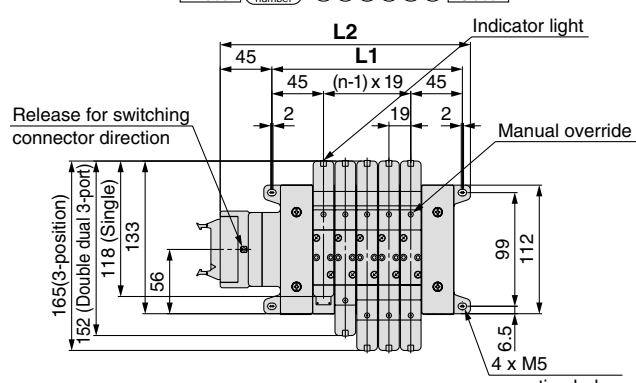
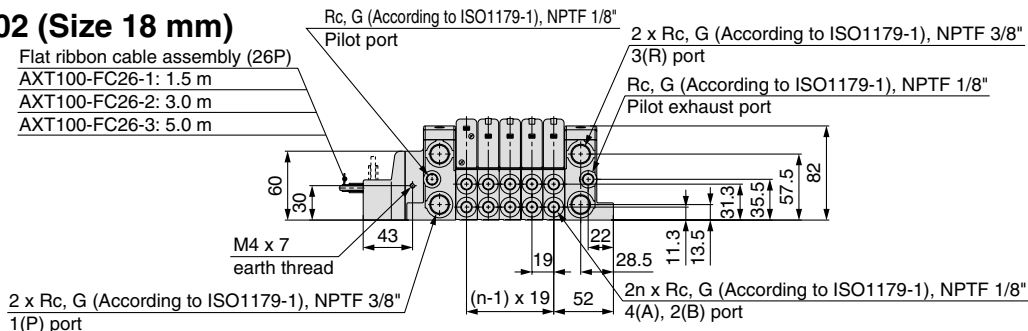
Dimension (mm)

Formula: L1 = 27n + 85, L2 = 27n + 138.5 n: Stations (Maximum 16 stations)

L \ n	1	2	3	4	5	6	7	8	9	10	11	12	13	14	15	16
L1	112	139	166	193	220	247	274	301	328	355	382	409	436	463	490	517
L2	165.5	192.5	219.5	246.5	273.5	300.5	327.5	354.5	381.5	408.5	435.5	462.5	489.5	516.5	543.5	570.5

VV802 (Size 18 mm)

Flat ribbon cable assembly (26P)
AXT100-FC26-1: 1.5 m
AXT100-FC26-2: 3.0 m
AXT100-FC26-3: 5.0 m

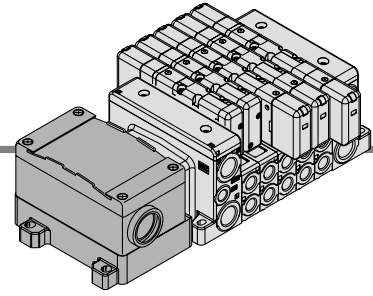


Dimension (mm)

Formula: L1 = 19n + 71, L2 = 19n + 123 n: Stations (Maximum 16 stations)

L \ n	1	2	3	4	5	6	7	8	9	10	11	12	13	14	15	16
L1	90	109	128	147	166	185	204	223	242	261	280	299	318	337	356	375
L2	142	161	180	199	218	237	256	275	294	313	332	351	370	389	408	427

T Series VS_{R8-2}^S kit (Terminal block box) IP65 compliant

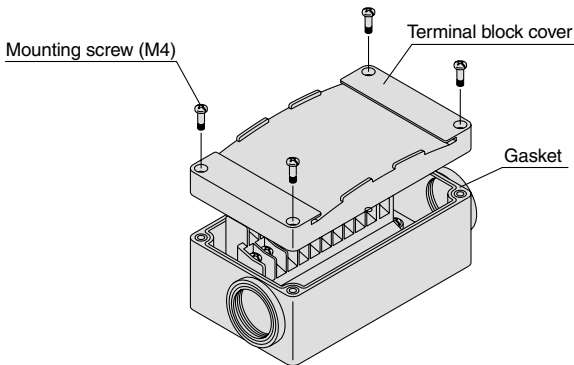


- This kit has a small terminal block inside a junction box. The electrical entry port of a G 3/4 permits connection of conduit fittings.

Terminal Block Connection

Step 1. Removing the terminal block cover

Loosen the 4 mounting screws (M4) and remove the terminal block cover.



Step 3. Mounting the terminal block cover

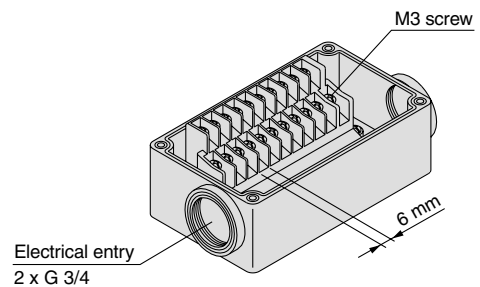
Securely tighten the screws to the torque shown below, after confirming that the gasket is installed correctly.

Proper tightening torque (N·m)
0.7 to 1.2

Step 2. The diagram below shows the terminal block wiring.

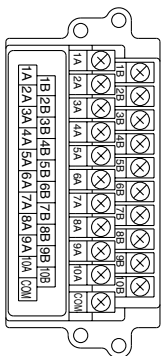
All stations are provided with double wiring regardless of the valves which are mounted.

Connect each wire to the power supply side, according to the markings provided inside the terminal block.



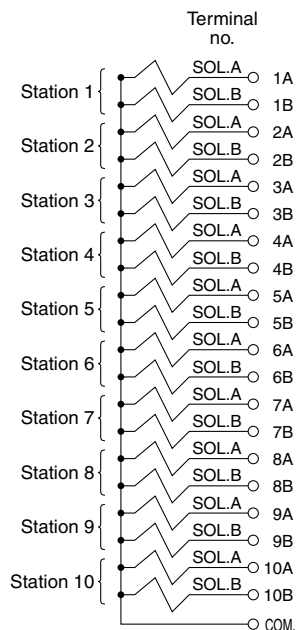
- Applicable crimped terminal: 1.25-3S, 1.25Y-3, 1.25Y-3N, 1.25Y-3.5
- Name plate: VVQ5000-N-T
- Drip-proof plug assembly (for G 3/4): AXT100-B06A

Electrical Wiring Specifications



Double wiring (connected to SOL. A and SOL. B) is adopted for the internal wiring of each station, regardless of the type of valve or options. Mixed single and double wiring are available as an option.

Standard wiring



Special Wiring Specifications (Option)

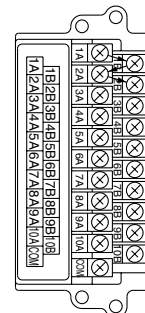
Mixed single and double wiring are available as an option. The maximum number of manifold stations is determined by the number of solenoids. Count one point for a single solenoid type and two points for a double solenoid type. The total number of solenoids (points) must not exceed 20.

1. How to Order

Indicate option symbol "K" in the manifold part number and be sure to specify station positions for single or double wiring on the manifold specification sheet.

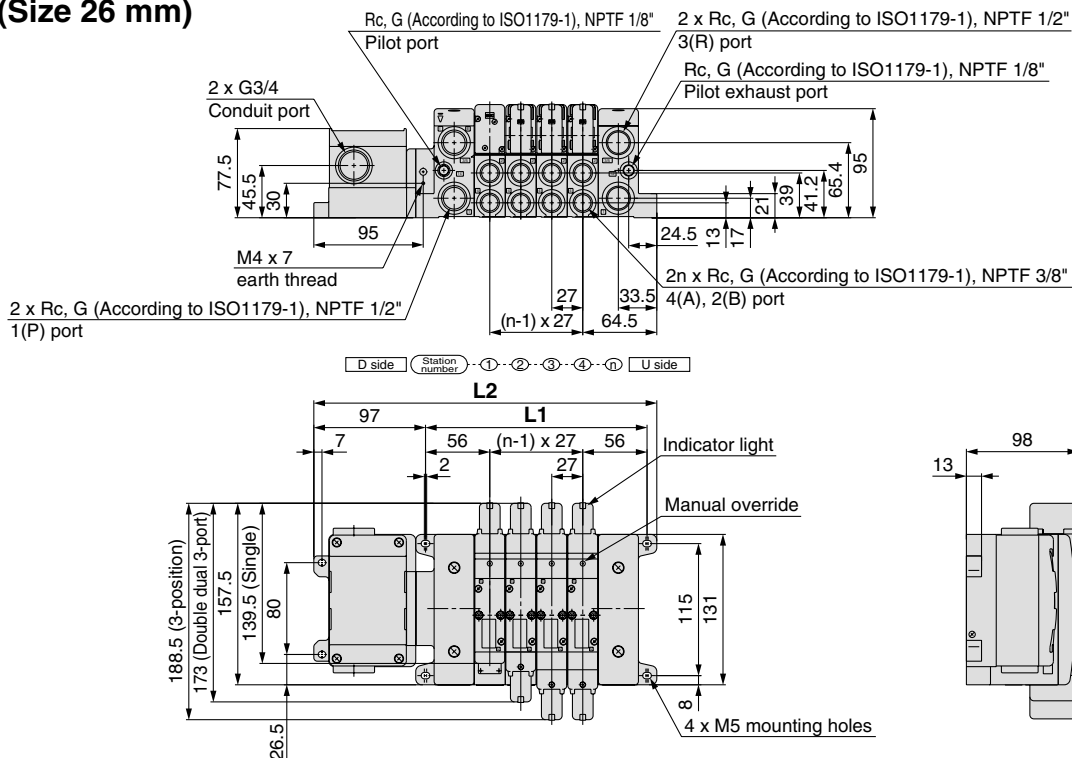
2. Wiring specifications

Connector terminal numbers are connected from solenoid station 1 on the A side in the order indicated by the arrows without skipping any terminal numbers.



T Series **VS_{RS}8-2**
kit (Terminal block box) **IP65 compliant**

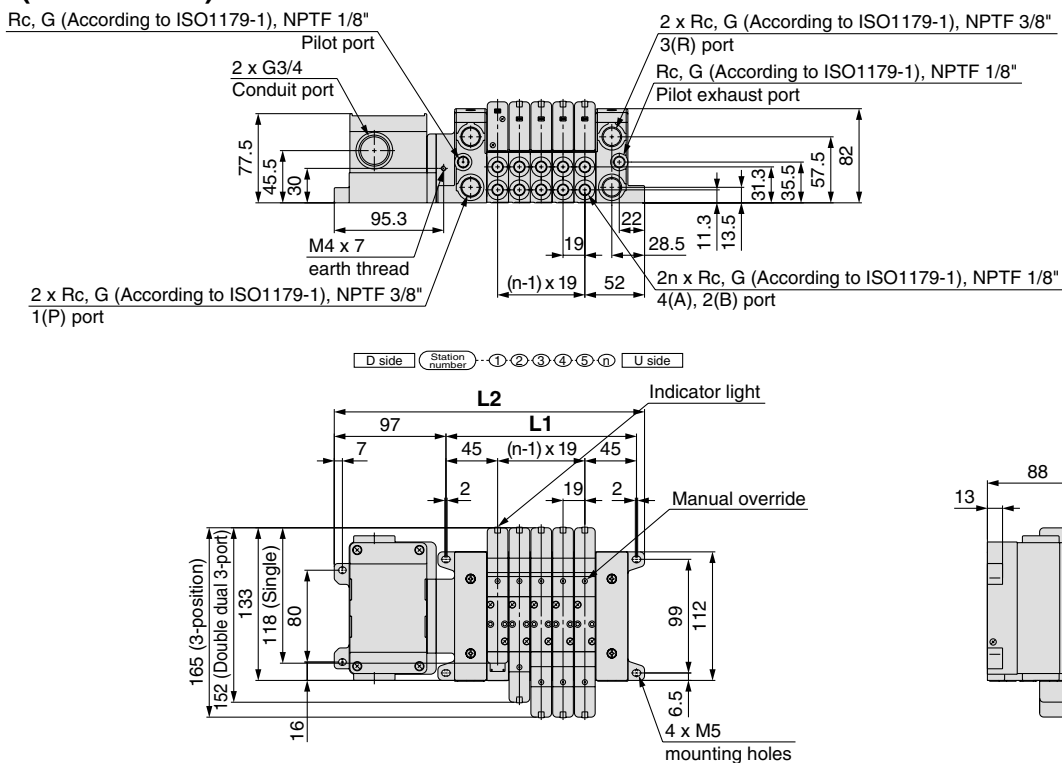
VV801 (Size 26 mm)



Dimension (mm) Formula: L1 = 27n + 85, L2 = 27n + 190.5 n: Stations (Maximum 20 stations)

L \ n	1	2	3	4	5	6	7	8	9	10	11	12	13	14	15	16
L1	112	139	166	193	220	247	274	301	328	355	382	409	436	463	490	517
L2	217.5	244.5	271.5	298.5	325.5	352.5	379.5	406.5	433.5	460.5	487.5	514.5	541.5	568.5	595.5	622.5

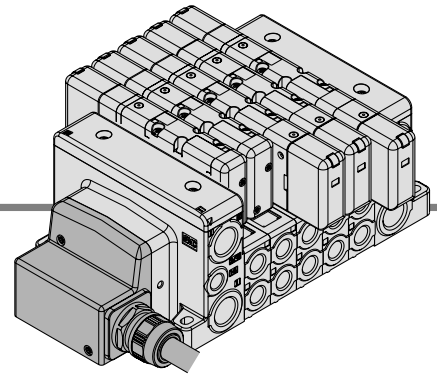
VV802 (Size 18 mm)



Dimension (mm) Formula: L1 = 19n + 71, L2 = 19n + 175 n: Stations (Maximum 16 stations)

L \ n	1	2	3	4	5	6	7	8	9	10	11	12	13	14	15	16
L1	90	109	128	147	166	185	204	223	242	261	280	299	318	337	356	375
L2	194	213	232	251	270	289	308	327	346	365	384	403	422	441	460	479

L Series $V_{SR}8-2$ kit (Lead wire) IP65 compliant

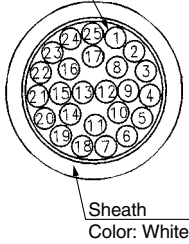


- Direct electrical entry type
- IP65 enclosure is available with use of cables with sheath and waterproof connectors.

Electrical Wiring Specifications

Lead wire

Lead wire
0.3 mm² x 25 cores



Sheath
Color: White

As the standard electrical wiring specifications, double wiring (connected to SOL. A and SOL. B) is adopted for the internal wiring of each station for 12 stations or less, regardless of valve and option types. Mixed single and double wiring are available as an option. Refer to the below special wiring specifications (option).

Electrical characteristics

Item	Property
Conductor resistance Ω/km, 20°C	65 or less
Voltage limit V, 1 minute, AC	1000
Insulation resistance MΩ/km, 20°C	5 or more

Note) Cannot be used for transfer wiring. The minimum bending radius of the cable is 20 mm.

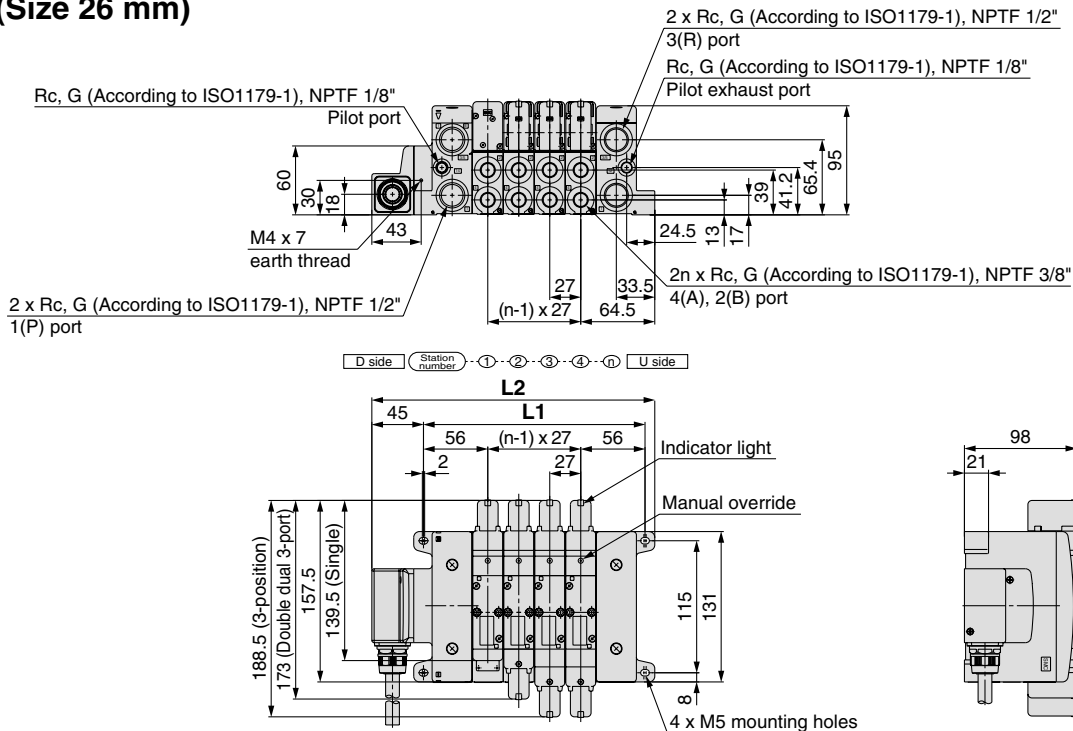
	Terminal no.	Lead wire color	Dot marking
Station 1	SOL.A 1	Black	None
	SOL.B 14	Yellow	Black
Station 2	SOL.A 2	Brown	None
	SOL.B 15	Pink	Black
Station 3	SOL.A 3	Red	None
	SOL.B 16	Blue	White
Station 4	SOL.A 4	Orange	None
	SOL.B 17	Purple	None
Station 5	SOL.A 5	Yellow	None
	SOL.B 18	Gray	None
Station 6	SOL.A 6	Pink	None
	SOL.B 19	Orange	Black
Station 7	SOL.A 7	Blue	None
	SOL.B 20	Red	White
Station 8	SOL.A 8	Purple	White
	SOL.B 21	Brown	White
Station 9	SOL.A 9	Gray	Black
	SOL.B 22	Pink	Red
Station 10	SOL.A 10	White	Black
	SOL.B 23	Gray	Red
Station 11	SOL.A 11	White	Red
	SOL.B 24	Black	White
Station 12	SOL.A 12	Yellow	Red
	SOL.B 25	White	None
	COM. 13	Orange	Red

Special Wiring Specifications (Option)

Mixed single and double wiring are available as an option. The maximum number of manifold stations is determined by the number of solenoids. Count one point for a single solenoid type and two points for a double solenoid type. The total number of solenoids (points) must not exceed 24.

L Series VS_R8-2
kit (Lead wire) IP65 compliant

VV801 (Size 26 mm)

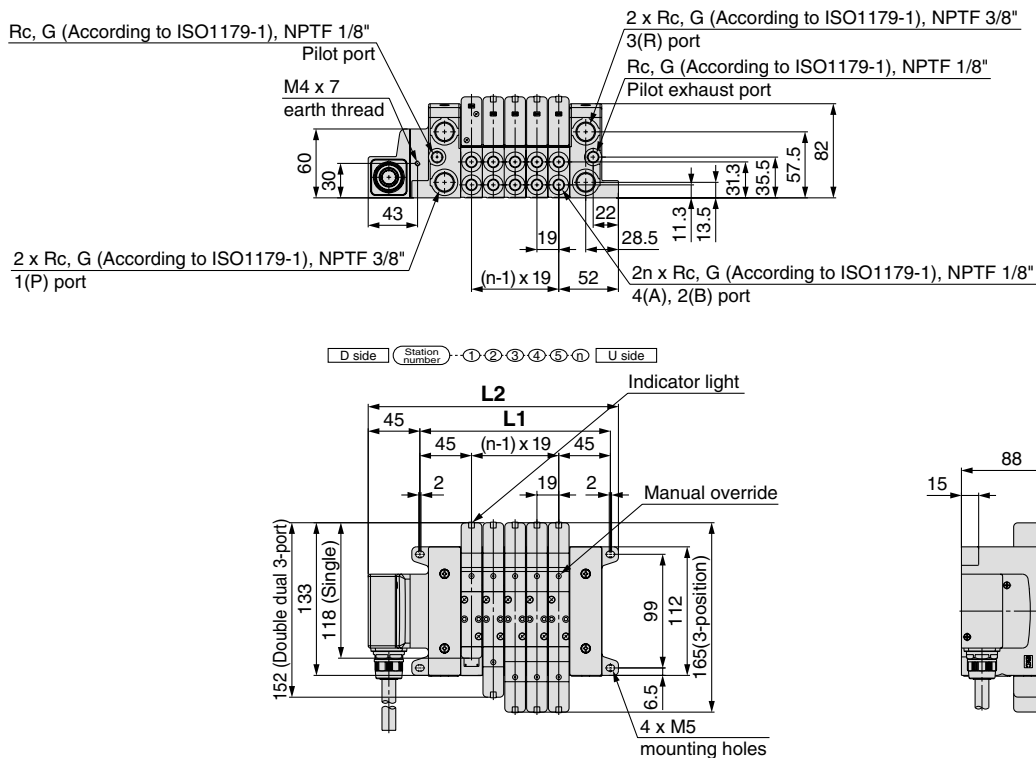


Dimension (mm)

Formula: L1 = 27n + 85, L2 = 27n + 138.5 n: Stations (Maximum 16 stations)

L \ n	1	2	3	4	5	6	7	8	9	10	11	12	13	14	15	16
L1	112	139	166	193	220	247	274	301	328	355	382	409	436	463	490	517
L2	165.5	192.5	219.5	246.5	273.5	300.5	327.5	354.5	381.5	408.5	435.5	462.5	489.5	516.5	543.5	570.5

VV802 (Size 18 mm)

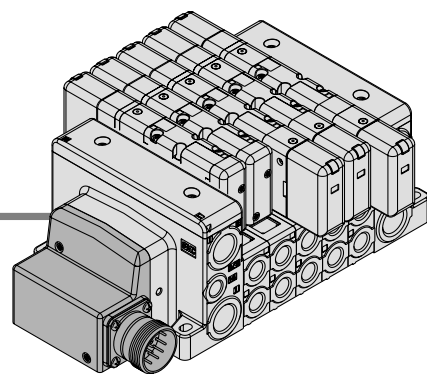


Dimension (mm)

Formula: L1 = 19n + 71, L2 = 19n + 123 n: Stations (Maximum 16 stations)

L \ n	1	2	3	4	5	6	7	8	9	10	11	12	13	14	15	16
L1	90	109	128	147	166	185	204	223	242	261	280	299	318	337	356	375
L2	142	161	180	199	218	237	256	275	294	313	332	351	370	389	408	427

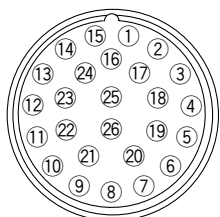
M Series $VSR8-2$ kit (Circular connector) IP65 compliant



- Use of circular connectors helps streamline wiring procedure to save labor.
- IP65 enclosure is available with use of waterproof circular connectors.

Electrical Wiring Specifications

Circular connector



Double wiring (connected to SOL.A and SOL.B) is adopted for the internal wiring of each station, regardless of valve and option types. Mixed single and double wiring are available as an option. Refer to the below special wiring specifications (option).

Lead wire colors for circular connector cable assembly (AXT100-MC26-015/030/050)

Terminal no.	Lead wire color	Dot marking
Station 1 SOL.A 1	Black	None
Station 1 SOL.B 2	Brown	None
Station 2 SOL.A 3	Red	None
Station 2 SOL.B 4	Orange	None
Station 3 SOL.A 5	Yellow	None
Station 3 SOL.B 6	Pink	None
Station 4 SOL.A 7	Blue	None
Station 4 SOL.B 8	Purple	White
Station 5 SOL.A 9	Gray	Black
Station 5 SOL.B 10	White	Black
Station 6 SOL.A 11	White	Red
Station 6 SOL.B 12	Yellow	Red
Station 7 SOL.A 13	Orange	Red
Station 7 SOL.B 14	Yellow	Black
Station 8 SOL.A 15	Pink	Black
Station 8 SOL.B 16	Blue	White
Station 9 SOL.A 17	Purple	None
Station 9 SOL.B 18	Gray	None
Station 10 SOL.A 19	Orange	Black
Station 10 SOL.B 20	Red	White
Station 11 SOL.A 21	Brown	White
Station 11 SOL.B 22	Pink	Red
Station 12 SOL.A 23	Gray	Red
Station 12 SOL.B 24	Black	White
COM. 25	White	None
COM. 26	White	None

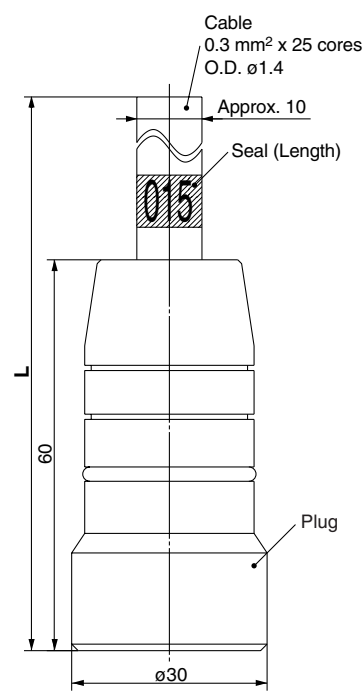
Special Wiring Specifications (Option)

Mixed single and double wiring are available as an option. The maximum number of manifold stations is determined by the number of solenoids. Count one point for a single solenoid type and two points for a double solenoid type. The total number of solenoids (points) must not exceed 24.

Cable Assembly

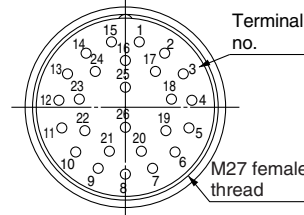
015 AXT100-MC26-030 050

(Type 26P circular connector cable assembly can be ordered with manifolds. Refer to "How to Order Manifold.")



Lead wire colors for circular connector cable assembly terminal numbers

Terminal no.	Lead wire color	Dot marking
1	Black	None
2	Brown	None
3	Red	None
4	Orange	None
5	Yellow	None
6	Pink	None
7	Blue	None
8	Purple	White
9	Gray	Black
10	White	Black
11	White	Red
12	Yellow	Red
13	Orange	Red
14	Yellow	Black
15	Pink	Black
16	Blue	White
17	Purple	None
18	Gray	None
19	Orange	Black
20	Red	White
21	Brown	White
22	Pink	Red
23	Gray	Red
24	Black	White
25	White	None
26	White	None



Electrical characteristics

Item	Property
Conductor resistance $\Omega/km, 20^\circ C$	65 or less
Voltage limit V, 1 minute, AC	1000
Insulation resistance $M\Omega/km, 20^\circ C$	5 or more

Note) The minimum bending radius of the circular connector cable is 20 mm.

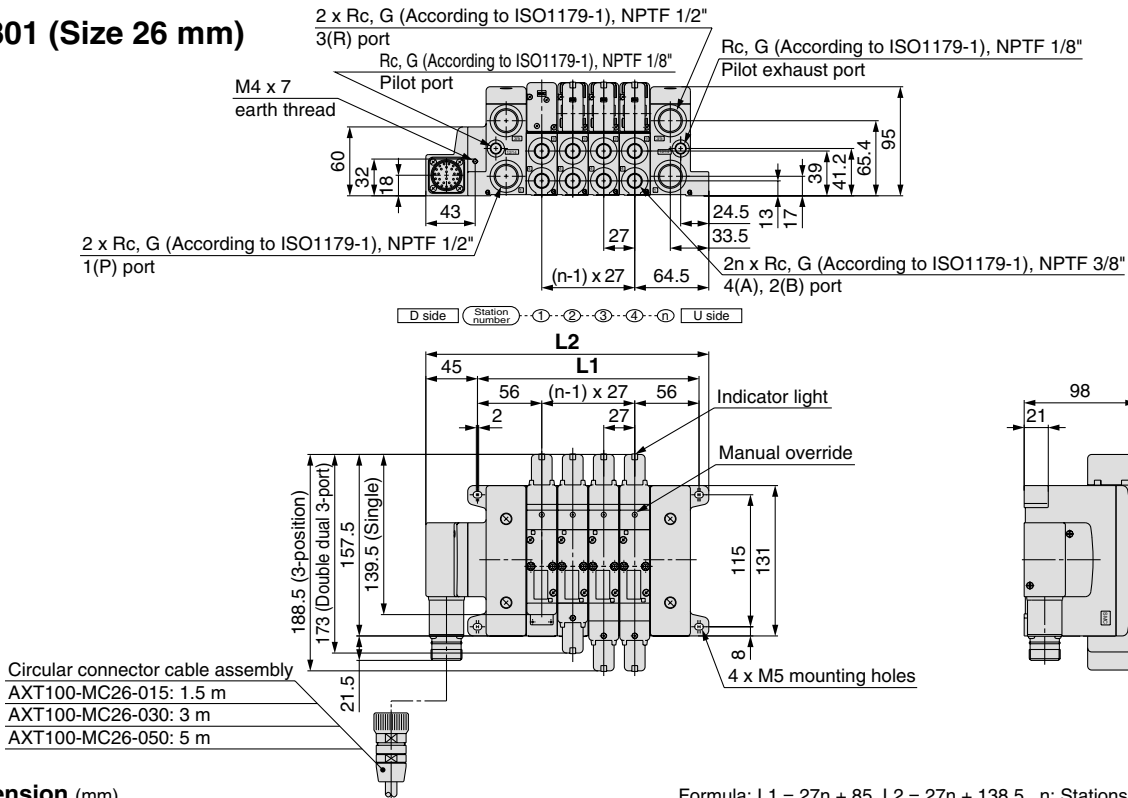
Circular connector cable assembly

Cable length (L)	Assembly part no.
	26P
1.5 m	AXT100-MC26-015
3 m	AXT100-MC26-030
5 m	AXT100-MC26-050

- * Cannot be used for transfer wiring.
- * Lengths other than the above is also available. Please contact SMC for details.

M Series **VS_{RS}8-2**
 kit (Circular connector) **IP65 compliant**

VV801 (Size 26 mm)

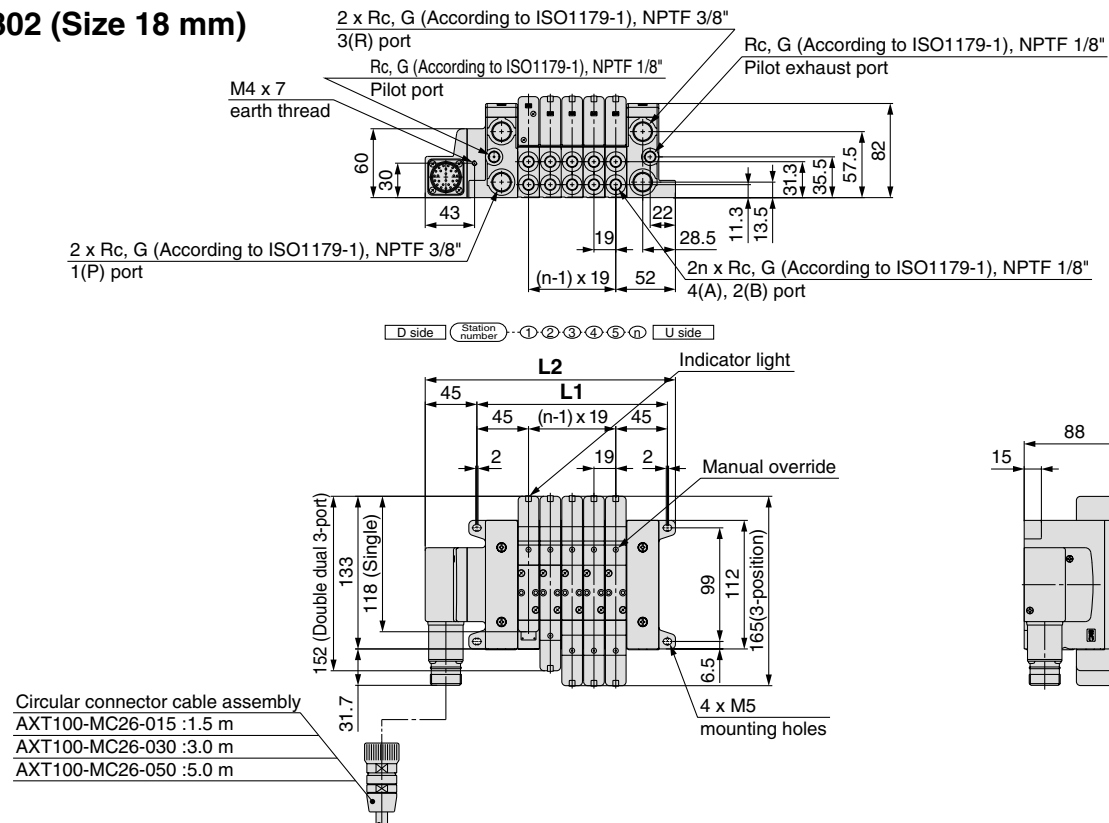


Dimension (mm)

Formula: L1 = 27n + 85, L2 = 27n + 138.5 n: Stations (Maximum 16 stations)

L \ n	1	2	3	4	5	6	7	8	9	10	11	12	13	14	15	16
L1	112	139	166	193	220	247	274	301	328	355	382	409	436	463	490	517
L2	165.5	192.5	219.5	246.5	273.5	300.5	327.5	354.5	381.5	408.5	435.5	462.5	489.5	516.5	543.5	570.5

VV802 (Size 18 mm)



Dimension (mm)

Formula: L1 = 19n + 71, L2 = 19n + 123 n: Stations (Maximum 16 stations)

L \ n	1	2	3	4	5	6	7	8	9	10	11	12	13	14	15	16
L1	90	109	128	147	166	185	204	223	242	261	280	299	318	337	356	375
L2	142	161	180	199	218	237	256	275	294	313	332	351	370	389	408	427

Series V_{SR}^S8-2/V_{SR}^S8-4

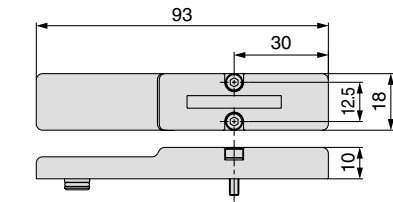
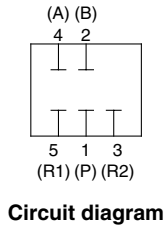
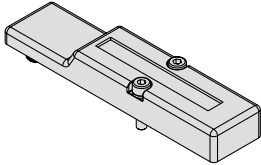
Manifold Options

Blanking plate assembly

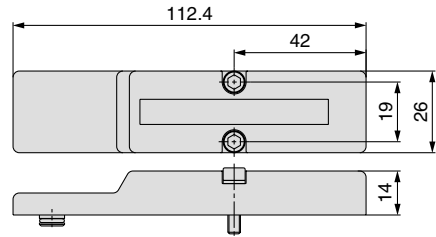
VVS8020-11A (Size 18 mm)

VVS8040-11A (Size 26 mm)

By attaching this on a manifold block, it is possible to prepare for removing a valve for maintenance reasons or planning to mount a spare valve, etc.



Size 18 mm



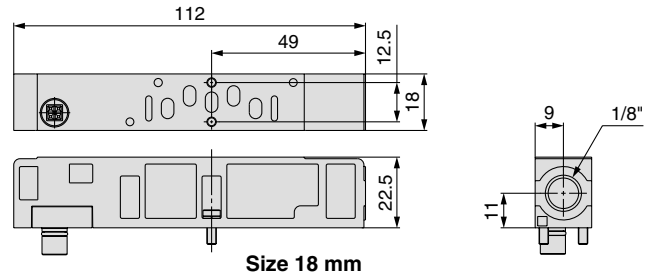
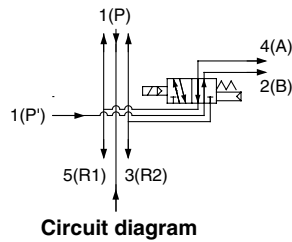
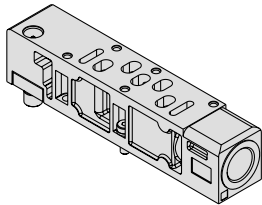
Size 26 mm

Individual SUP spacer

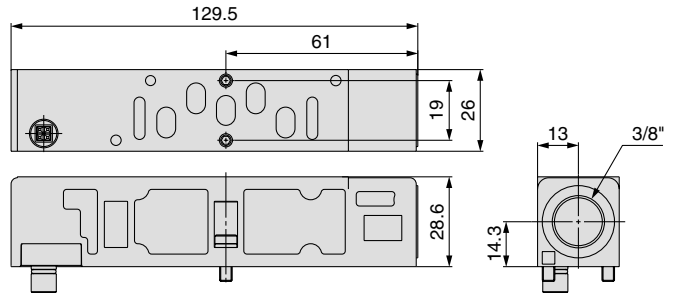
VV802-P-01^(F)_(T) (Size 18 mm)

VV801-P-03^(F)_(T) (Size 26 mm)

By mounting individual SUP spacers on a manifold block, it is possible to provide individual SUP ports for each valve.



Size 18 mm



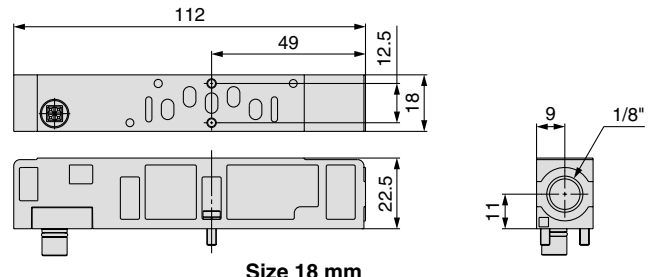
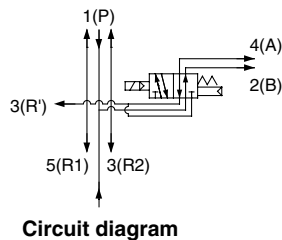
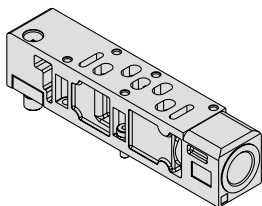
Size 26 mm

Individual EXH spacer

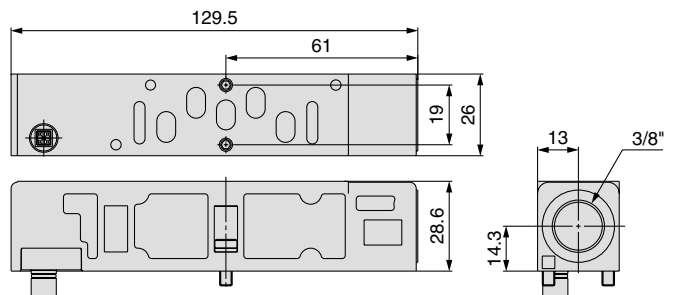
VV802-R-01^(F)_(T) (Size 18 mm)

VV801-R-03^(F)_(T) (Size 26 mm)

By mounting individual EXH spacers on a manifold block, it is possible to provide individual EXH ports for each valve. (3(R2), 5(R1) common EXH type)



Size 18 mm

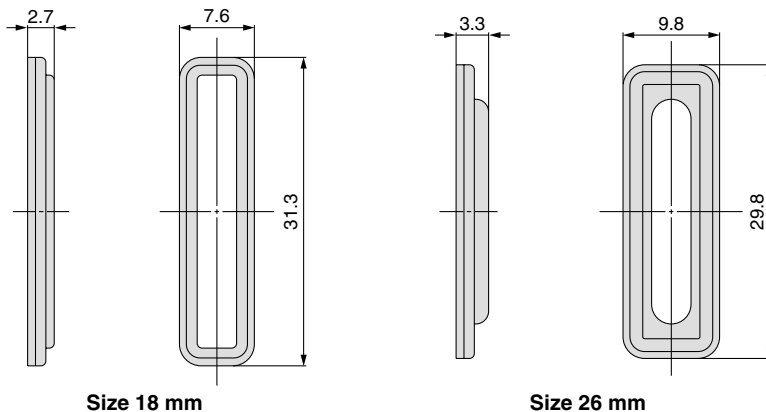
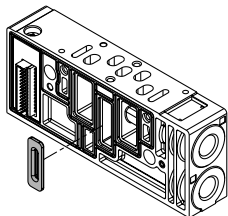


Size 26 mm

SUP block plate

VVS8020-16A (Size 18 mm)
 VVS8040-16A (Size 26 mm)

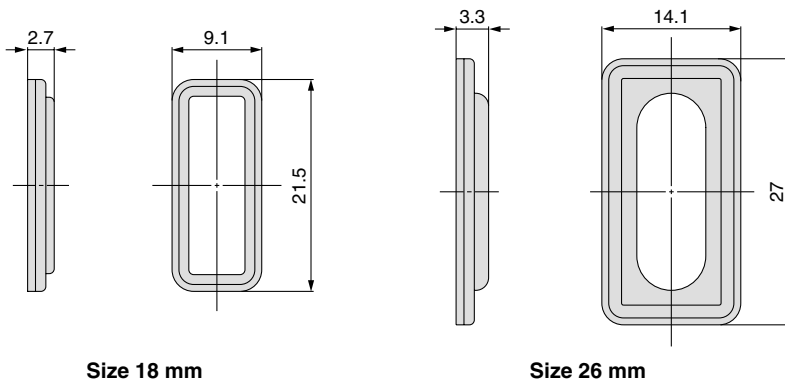
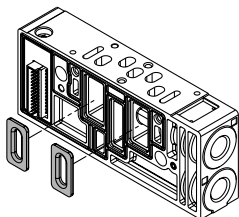
When different pressures are supplied to a manifold, a SUP block plate is used to block the stations under different pressures.



EXH block plate

VVS8020-19A (Size 18 mm)
 VVS8040-19A (Size 26 mm)

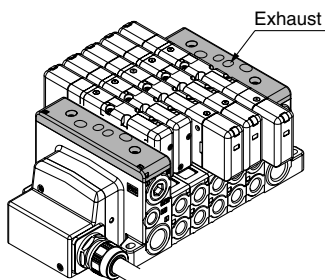
This is used to divide the exhaust passage when the exhaust from a valve interferes with the valve of other stations.



Direct EXH outlet with built-in silencer [-S]

This is a type with an exhaust port atop the manifold end plate. The built-in silencer exhibits an excellent noise suppression effect. (Noise reduction: 30 dB)

* When ordering this option incorporated with a manifold, suffix "-S" to the end of the manifold part number.



Built-in Silencer Element Replacement

Caution

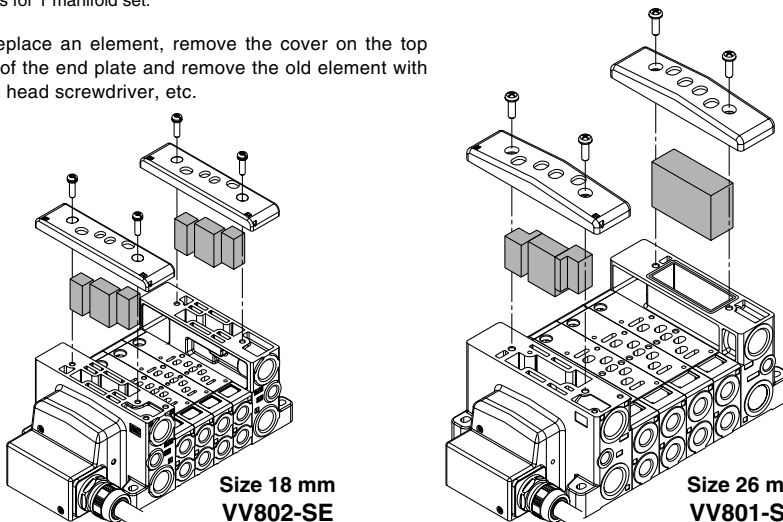
A filter element on both sides is built into the manifold base end plate. When the element becomes dirty and clogged, this will cause trouble such as a drop in the cylinder speed, etc. Therefore, replace the element regularly.

Element Part No.

Type	Element part no.	
	Size 18 mm (VV802)	Size 26 mm (VV801)
Direct EXH outlet with built-in silencer	VV802-SE	VV801-SE

This is for 1 manifold set.

To replace an element, remove the cover on the top side of the end plate and remove the old element with a flat head screwdriver, etc.



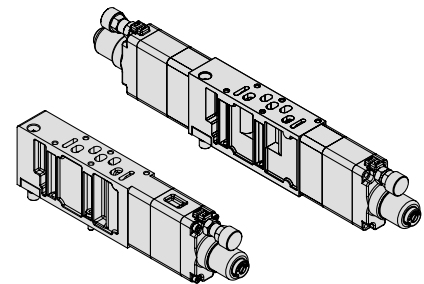
Series VS_R8-2/VS_R8-4

Manifold Options

Interface regulator (P, A, B port regulation)

Specifications

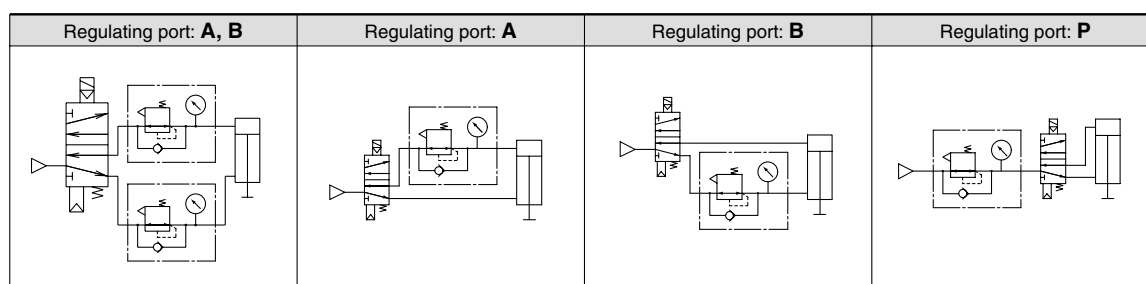
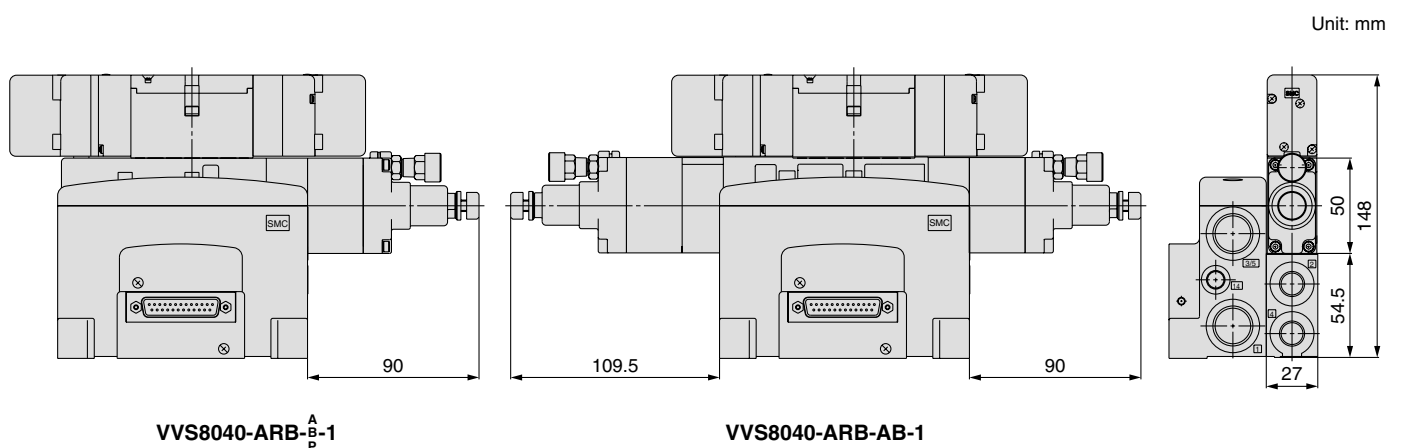
Interface regulator model		VVS8040-ARB-□-1			
Regulating port		A	B	P	A, B
Applicable solenoid valve		VS _R 8-4			
Max. operating pressure (MPa)		1.0			
Set pressure range (MPa)		0.05 to 0.85			
Fluid		Air			
Ambient and fluid temperature (°C)		-5 to 60			
Pressure gauge port size		M5 x 0.8			
Mass (kg)		0.35			0.45
Effective area at supply side (mm ²) P1 = 0.7 MPa, P2 = 0.5 MPa	1(P) → 4(A)	9.0	11.8	16.7	12.2
	1(P) → 2(B)	9.0	11.8	12.8	13.1
Effective area at exhaust side (mm ²) P2 = 0.5 MPa	4(A) → 5(R1)	21.3	14.4	21.4	13.1
	2(B) → 3(R2)	18.2	14.8	14.9	12.2



- Note 1) Set the pressure within operating pressure range of solenoid valve.
 Note 2) When using A port regulation and B port regulation in a closed center, please contact SMC because there will be a problem in its operation.
 Note 3) IP65 enclosure is not available with interface regulator.

How to Order

Applicable solenoid valve model	Interface regulator model	Regulating port
VS _R 8-4 (Size 26 mm)	VVS8040-ARB-A-1	A
	VVS8040-ARB-B-1	B
	VVS8040-ARB-P-1	P
	VVS8040-ARB-AB-1	A, B



Manifold Options

External pilot specification

Either internal pilot or external pilot can be selected when ordering a manifold (internal pilot is standard).

The arrow on the silencer cover points to "I" when using the internal pilot and "E" when using the external pilot. It can be changed later by changing the mounting orientation of the silencer cover.

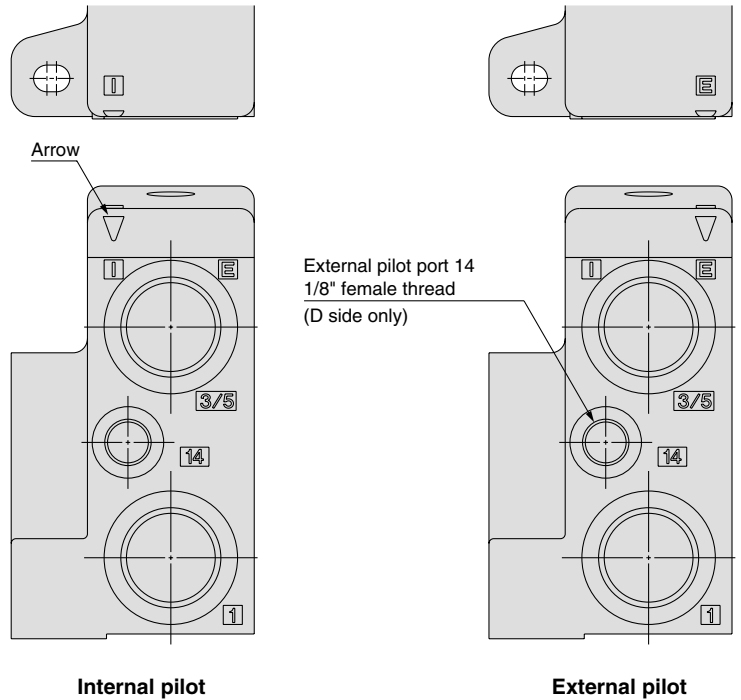
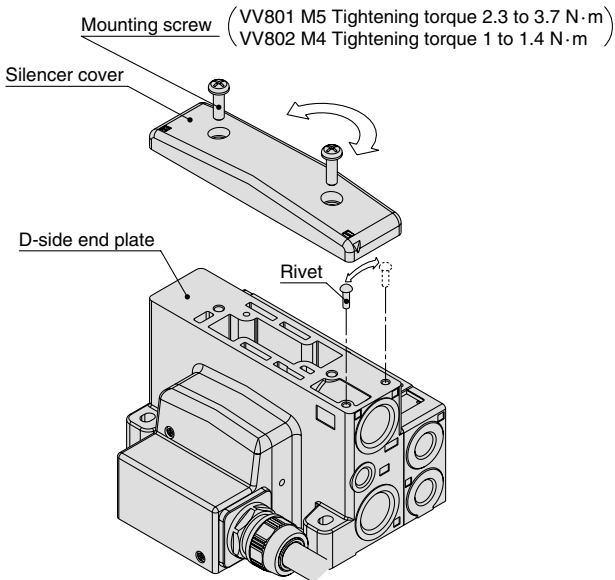
<How to change the pilot type>

- 1) Remove the silencer cover.
- 2) Turn the silencer cover 180° and mount it to the end plate.

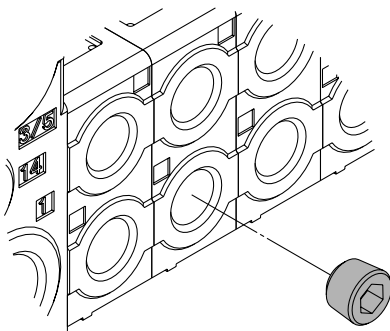
At the same time, mount the built-in rivet as the same place with the arrow on silencer cover.

Note 1) Do not let the gasket get caught when mounting the silencer cover.

Note 2) For internal pilot specification, it is not necessary to mount a plug to the external pilot port.



Port plug



Part no.	Thread size, type
AXT954-01	For Rc 1/8"
AXT954-02	For Rc 1/4"
AXT954-03	For Rc 3/8"
AXT954-04	For Rc 1/2"
AXT954-01T	For NPTF 1/8"
AXT954-02T	For NPTF 1/4"
AXT954-03T	For NPTF 3/8"
AXT954-04T	For NPTF 1/2"
AXT954-01F#1	For G 1/8"
AXT954-02F#1	For G 1/4"
AXT954-03F#1	For G 3/8"
AXT954-04F#1	For G 1/2"

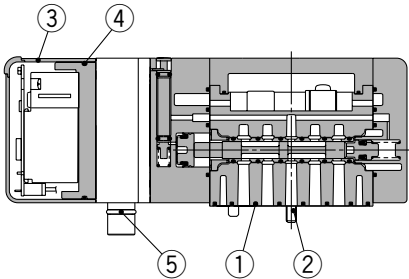
This is used to plug the cylinder ports when using as a 3-port valve, etc.

Series VS_R8-2 Construction

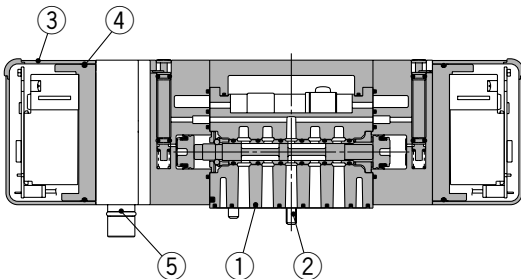
Construction

Metal seal

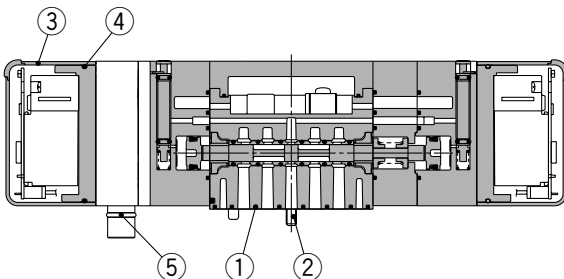
VSS8-2-FG-S-□



VSS8-2-FG-D-□

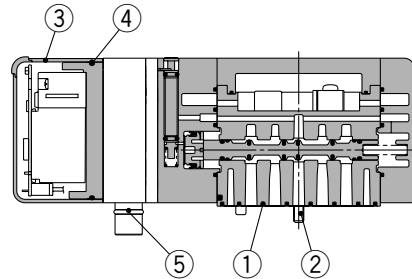


VSS8-2-^{FHG} -^{FIG} D-□ ^{FJG}

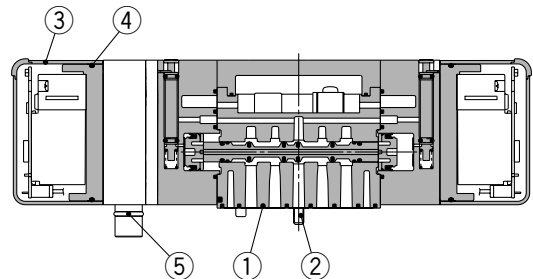


Rubber seal

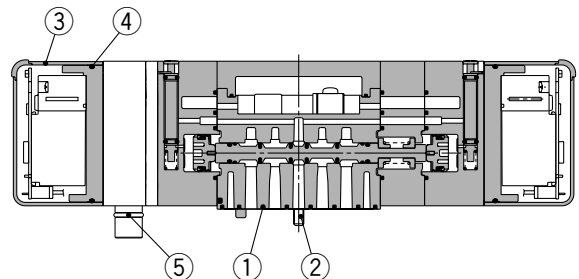
VSR8-2-FG-S-□



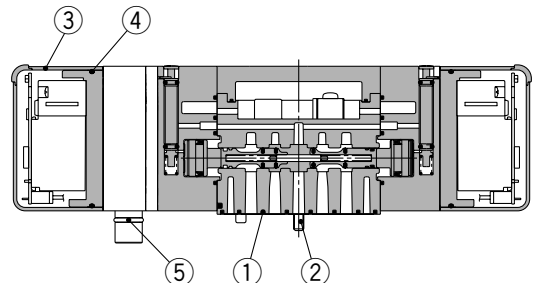
VSR8-2-FG-D-□



VSR8-2-^{FHG} -^{FIG} D-□ ^{FJG}



VSR8-2-^{FDAG} -^{FDBG} D-□ ^{FDCG}



Replacement Parts

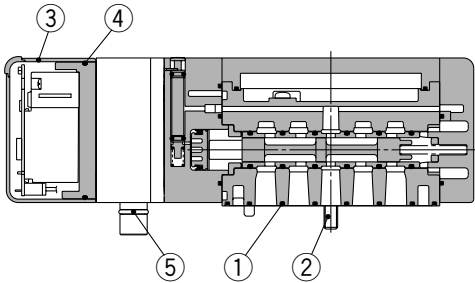
No.	Description	VSS8-2-FG-S-□	VSS8-2-FG-D-□	VSS8-2- ^{FHG} - ^{FIG} D-□ ^{FJG}	VSR8-2-FG-S-□	VSR8-2-FG-D-□	VSR8-2- ^{FHG} - ^{FIG} D-□ ^{FJG}	VSR8-2- ^{FDAG} - ^{FDBG} D-□ ^{FDCG}
1	Gasket	EVS1002-13-11H						
2	Hexagon bolt	AXT632-17-7 (M3 x 30, with washer, nickel plated)						
3	Light cover	EVS1001-9-1						
4	O-ring	29.5 x 1.2						
5	O-ring	OR-0500-130-H						

Series VS_R8-4 Construction

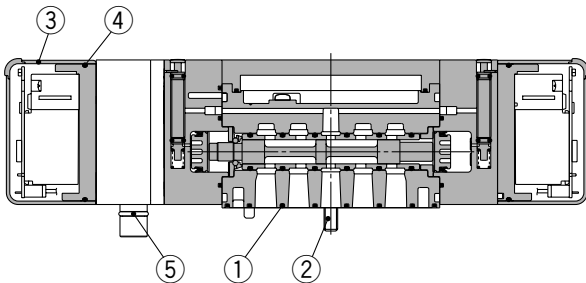
Construction

Metal seal

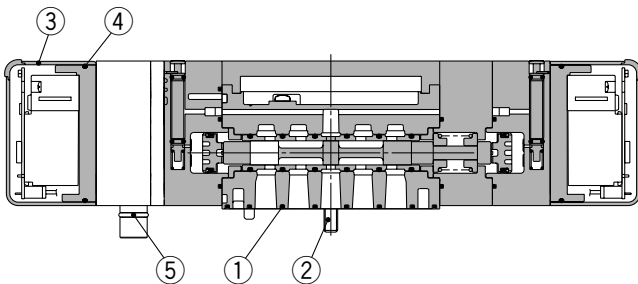
VSS8-4-FG-S-□



VSS8-4-FG-D-□

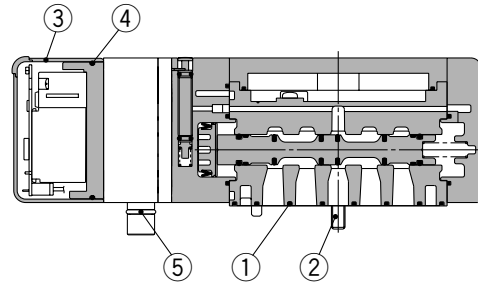


VSS8-4-^{FHG}
^{FIG}-D-□
^{FJG}

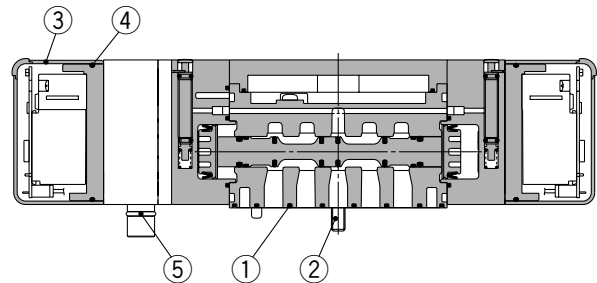


Rubber seal

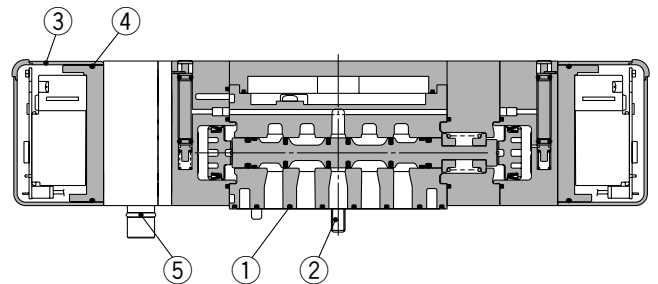
VSR8-4-FG-S-□



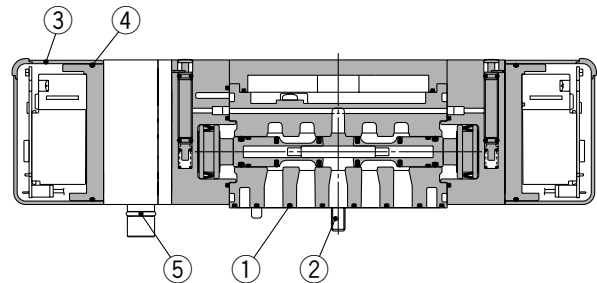
VSR8-4-FG-D-□



VSR8-4-^{FHG}
^{FIG}-D-□
^{FJG}



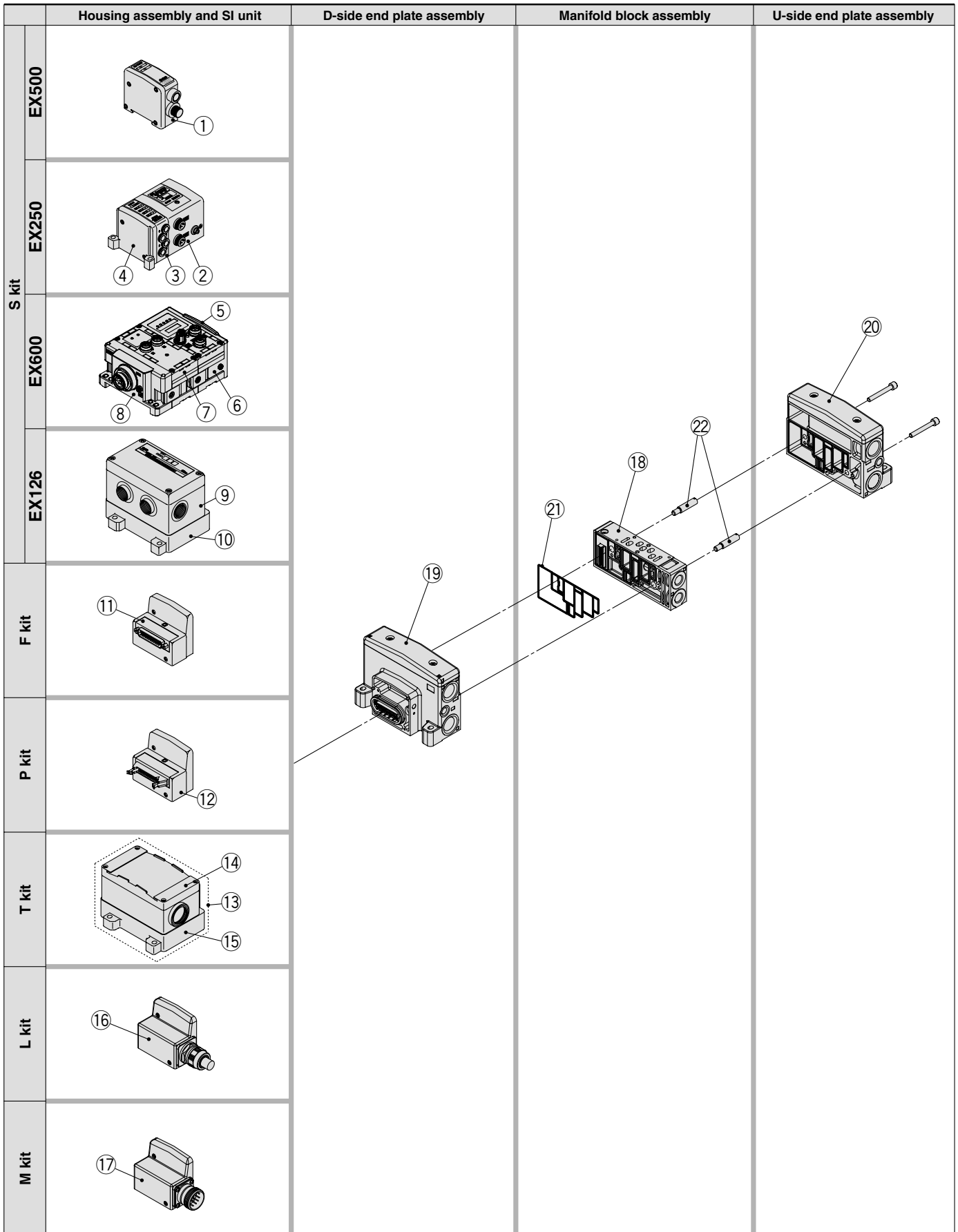
VSR8-4-^{FDAG}
^{FDBG}-D-□
^{FDCG}



Replacement Parts

No.	Description	VSS8-4-FG-S-□	VSS8-4-FG-D-□	VSS8-4- ^{FHG} ^{FIG} -D-□ ^{FJG}	VSR8-4-FG-S-□	VSR8-4-FG-D-□	VSR8-4- ^{FHG} ^{FIG} -D-□ ^{FJG}	VSR8-4- ^{FDAG} ^{FDBG} -D-□ ^{FDCG}
1	Gasket							EVS1001-9-2H
2	Hexagon bolt							AXT632-25-15 (M4 x 30, with washer, nickel plated)
3	Light cover							EVS1001-9-1
4	O-ring							29.5 x 1.2
5	O-ring							OR-0500-130-H

Exploded View of Manifold



The exploded view indicates VV801.

Manifold Assembly Part No.

Housing Assembly, SI Unit, etc.

No.	Description	Part no.	Note
1	SI unit	EX500-Q001	+COM., DeviceNet™, PROFIBUS DP, CC-Link, EtherNet/IP™
		EX500-Q001-X1	+COM., Remote I/O
		EX500-Q101	-COM., DeviceNet™, PROFIBUS DP, CC-Link, EtherNet/IP™
		EX500-Q101-X1	-COM., Remote I/O
2	SI unit	EX250-SDN1	DeviceNet™ (-COM.)
		EX250-SPR1	PROFIBUS DP (-COM.)
		EX250-SMJ2	CC-Link (+COM.)
		EX250-SAS3	AS-Interface (8 in/8 out, 31 slave modes, 2 power supply systems, -COM.)
		EX250-SAS5	AS-Interface (4 in/4 out, 31 slave modes, 2 power supply systems, -COM.)
		EX250-SAS7	AS-Interface (8 in/8 out, 31 slave modes, 1 power supply systems, -COM.)
		EX250-SAS9	AS-Interface (4 in/4 out, 31 slave modes, 1 power supply systems, -COM.)
		EX250-SCA1A	CANopen (-COM.)
		EX250-SCN1	ControlNet (-COM.)
3	Input block	EX250-IE1	M12, 2 inputs
		EX250-IE2	M12, 4 inputs
		EX250-IE3	M8, 4 inputs
4	End plate assembly	EX250-EA1	
5	Valve plate	EX600-ZMV1	
6	SI unit	EX600-SDN1	DeviceNet™ (-COM.)
		EX600-SDN2	DeviceNet™ (+COM.)
		EX600-SMJ1	CC-Link (-COM.)
		EX600-SMJ2	CC-Link (+COM.)
		EX600-SPR1	PROFIBUS DP (-COM.)
		EX600-SPR2	PROFIBUS DP (+COM.)
7	Digital input unit	EX600-DXPB	PNP, M12, 8 inputs
		EX600-DXNB	NPN, M12, 8 inputs
		EX600-DXPC	PNP, M8, 8 inputs
		EX600-DXNC	NPN, M8, 8 inputs
		EX600-DXPC1	PNP, M8, 8 inputs, with open detection function
		EX600-DXNC1	NPN, M8, 8 inputs, with open detection function
		EX600-DXPD	PNP, M12, 16 inputs
	EX600-DXND	NPN, M12, 16 inputs	
	Digital output unit	EX600-DYPB	PNP, M12, 8 outputs
		EX600-DYNB	NPN, M12, 8 outputs
Analog input unit	EX600-AXA	2-channel input	
8	End plate	EX600-ED2	M12 connector
		EX600-ED3	7/8 inch connector
9	SI unit	EX126D-SMJ1	CC-Link (+COM.), 16 outputs
10	Plate assembly	VVQC1000-74A-2	
11	D-sub connector housing assembly	VVQC1000-P25-1	F kit, 25 pins
12	Flat ribbon cable housing assembly	VVQC1000-F26-1	P kit, 26 pins
13	Terminal block box housing assembly	VVQC1000-T0-1	T kit
14	Terminal block box assembly	VVQC1000-80A-D	T kit
15	Terminal block plate assembly	VVQC1000-74A-1	T kit
16	Lead wire housing assembly	VVQC1000-L25-0-1	L kit with 0.6 m lead wire
		VVQC1000-L25-1-1	L kit with 1.5 m lead wire
		VVQC1000-L25-2-1	L kit with 3.0 m lead wire
17	Circular connector housing assembly	VVS8040-M26-1	M kit, 26 pins

Series VS_{RS}8-2/VS_{RS}8-4

Manifold Component Part No.

⑱ Manifold Block Assembly

Standard

MBS80 **2** 0 - **01** - **D**

Size

2	Size 18 mm
4	Size 26 mm

With/Without tie-rod

Nil	Included
-1	None

Wiring specifications

D	Double wiring
S	Single wiring

Thread type

Nil	Rc
F	G
T	NPTF

Port size

Symbol	Port size	Size 18 mm	Size 26 mm
01	Side ported 1/8"	●	—
02	Side ported 1/4"	—	●
03	Side ported 3/8"	—	●
01B	Bottom ported 1/8"	●	—
02B	Bottom ported 1/4"	—	●

⑲ D-Side End Plate Assembly

MES80 **2** D - **03**

Size

2	Size 18 mm
4	Size 26 mm

Option

Nil	None
-R	External pilot
-S	Built-in silencer
-RS	External pilot + Built-in silencer

Thread type

Nil	Rc
F	G
T	NPTF

Port size

Symbol	Port size	Size 18 mm	Size 26 mm
03	3/8"	●	—
04	1/2"	—	●

⑳ U-Side End Plate Assembly

MES80 **2** U - **03**

Size

2	Size 18 mm
4	Size 26 mm

Option

Nil	None
-S	Built-in silencer

Thread type

Nil	Rc
F	G
T	NPTF

Port size

Symbol	Port size	Size 18 mm	Size 26 mm
03	3/8"	●	—
04	1/2"	—	●

㉑ Gasket

Size 18 mm	EVVS1002-9-1H
Size 26 mm	EVVS1001-9-1H

Note) Part no. for 1 pc. of gasket

㉒ Tie-rod (2 pcs.)

Size 18 mm	VV802-TR-□
Size 26 mm	VV801-TR-□

Note 1) This is used to decrease the number of manifold stations. When increasing the number of stations, it is not necessary to order tie-rods separately if a manifold block assembly with a tie-rod is ordered.

Note 2) □: Stations 01 to 16



Safety Instructions

These safety instructions are intended to prevent hazardous situations and/or equipment damage. These instructions indicate the level of potential hazard with the labels of “**Caution**,” “**Warning**” or “**Danger**.” They are all important notes for safety and must be followed in addition to International Standards (ISO/IEC), Japan Industrial Standards (JIS)*1) and other safety regulations*2).

*1) ISO 4414: Pneumatic fluid power – General rules relating to systems.
ISO 4413: Hydraulic fluid power – General rules relating to systems.
IEC 60204-1: Safety of machinery – Electrical equipment of machines. (Part 1: General requirements)
ISO 10218-1992: Manipulating industrial robots - Safety.
JIS B 8370: General rules for pneumatic equipment.
JIS B 8361: General rules for hydraulic equipment.
JIS B 9960-1: Safety of machinery – Electrical equipment of machines. (Part 1: General requirements)
JIS B 8433-1993: Manipulating industrial robots – Safety.
etc.

*2) Labor Safety and Sanitation Law, etc.

- | | |
|--|---|
| | Caution: Caution indicates a hazard with a low level of risk which, if not avoided, could result in minor or moderate injury. |
| | Warning: Warning indicates a hazard with a medium level of risk which, if not avoided, could result in death or serious injury. |
| | Danger: Danger indicates a hazard with a high level of risk which, if not avoided, will result in death or serious injury. |

Warning

1. The compatibility of the product is the responsibility of the person who designs the equipment or decides its specifications.

Since the product specified here is used under various operating conditions, its compatibility with specific equipment must be decided by the person who designs the equipment or decides its specifications based on necessary analysis and test results. The expected performance and safety assurance of the equipment will be the responsibility of the person who has determined its compatibility with the product. This person should also continuously review all specifications of the product referring to its latest catalog information, with a view to giving due consideration to any possibility of equipment failure when configuring the equipment.

2. Only personnel with appropriate training should operate machinery and equipment.

The product specified here may become unsafe if handled incorrectly. The assembly, operation and maintenance of machines or equipment including our products must be performed by an operator who is appropriately trained and experienced.

3. Do not service or attempt to remove product and machinery/equipment until safety is confirmed.

1. The inspection and maintenance of machinery/equipment should only be performed after measures to prevent falling or runaway of the driven objects have been confirmed.
2. When the product is to be removed, confirm that the safety measures as mentioned above are implemented and the power from any appropriate source is cut, and read and understand the specific product precautions of all relevant products carefully.
3. Before machinery/equipment is restarted, take measures to prevent unexpected operation and malfunction.

4. Contact SMC beforehand and take special consideration of safety measures if the product is to be used in any of the following conditions.

1. Conditions and environments outside of the given specifications, or use outdoors or in a place exposed to direct sunlight.
2. Installation on equipment in conjunction with atomic energy, railways, air navigation, space, shipping, vehicles, military, medical treatment, combustion and recreation, or equipment in contact with food and beverages, emergency stop circuits, clutch and brake circuits in press applications, safety equipment or other applications unsuitable for the standard specifications described in the product catalog.
3. An application which could have negative effects on people, property, or animals requiring special safety analysis.
4. Use in an interlock circuit, which requires the provision of double interlock for possible failure by using a mechanical protective function, and periodical checks to confirm proper operation.



Safety Instructions

⚠ Caution

1. The product is provided for use in manufacturing industries.

The product herein described is basically provided for peaceful use in manufacturing industries.

If considering using the product in other industries, consult SMC beforehand and exchange specifications or a contract if necessary.

If anything is unclear, contact your nearest sales branch.

Limited warranty and Disclaimer/Compliance Requirements

The product used is subject to the following “Limited warranty and Disclaimer” and “Compliance Requirements”.

Read and accept them before using the product.

Limited warranty and Disclaimer

1. The warranty period of the product is 1 year in service or 1.5 years after the product is delivered.*3)

Also, the product may have specified durability, running distance or replacement parts. Please consult your nearest sales branch.

2. For any failure or damage reported within the warranty period which is clearly our responsibility, a replacement product or necessary parts will be provided.

This limited warranty applies only to our product independently, and not to any other damage incurred due to the failure of the product.

3. Prior to using SMC products, please read and understand the warranty terms and disclaimers noted in the specified catalog for the particular products.

*3) Vacuum pads are excluded from this 1 year warranty.

A vacuum pad is a consumable part, so it is warranted for a year after it is delivered.

Also, even within the warranty period, the wear of a product due to the use of the vacuum pad or failure due to the deterioration of rubber material are not covered by the limited warranty.

Compliance Requirements

When the product is exported, strictly follow the laws required by the Ministry of Economy, Trade and Industry (Foreign Exchange and Foreign Trade Control Law).

S kit

F kit

P kit

T kit

L kit

M kit

Construction

Exploded View of Manifold

Manifold Optional Parts

Safety Instructions

Specific Product Precautions



5 Port Solenoid Valves Precautions 1

Be sure to read this before handling.

Design/Selection

Warning

1. Confirm the specifications.

Products represented in this catalog are designed only for use in compressed air systems (including vacuum).

Do not operate at pressures or temperatures, etc., beyond the range of specifications, as this can cause damage or malfunction. (Refer to the specifications.)

Please contact SMC when using a fluid other than compressed air (including vacuum).

We do not guarantee against any damage if the product is used outside of the specification range.

2. Actuator drive

When an actuator, such as a cylinder, is to be driven by a valve, take appropriate measures such as cover installation or approach prohibition to prevent potential danger caused by actuator operation.

3. Intermediate stops

For 3-position closed center or double check valve type, it is difficult to make a piston stop at the required position accurately due to the compressibility of air.

Furthermore, since valves and cylinders are not guaranteed for zero air leakage, it may not be possible to hold a stopped position for an extended period of time.

Please contact SMC if it is necessary to hold a stopped position for an extended period of time.

4. Effect of back pressure when using a manifold

Use caution when valves are used on a manifold, because an actuator may malfunction due to back-pressure.

For 3-position exhaust center valve or single acting cylinder, take appropriate measures to prevent malfunction by using it with an individual EXH spacer assembly, a back pressure check valve or an individual exhaust manifold.

5. Holding pressure (including vacuum)

Since the valves are subject to air leakage, they cannot be used for applications such as holding pressure (including vacuum) in a pressure vessel.

6. Not suitable for use as an emergency shut-off valve, etc.

The valves listed in this catalog are not designed for safety applications such as an emergency shutoff valve. If the valves are used for the mentioned applications, additional safety measures should be adopted.

7. Release of residual pressure

For maintenance purposes install a system for releasing residual pressure. Especially in the case of 3-position closed center valve or double check valve type, ensure that the residual pressure between the valve and the cylinder is released.

8. Operation in a vacuum condition

When a valve is used for switching a vacuum, take measures to install a suction filter or similar to prevent external dust or other foreign matter from entering inside the valve.

In addition, at the time of vacuum adsorption, be sure to vacuum at all times. Failure to do so may result in foreign matter sticking to the adsorption pad, or air leakage causing the workpiece to drop.

9. Regarding a vacuum switch valve and a vacuum release valve

If a non-vacuum valve is installed in the middle of piping system having a vacuum, the vacuum condition will not be maintained. Use a valve designed for use under vacuum condition.

10. Double solenoid type

When using the double solenoid type for the first time, actuators may travel in an unexpected direction depending on the switching position of the valve. Implement measures to prevent any danger from occurring when operating the actuator.

11. Ventilation

Provide ventilation when using a valve in a confined area, such as in a closed control panel. For example, install a ventilation opening, etc. in order to prevent pressure from increasing inside of the confined area and to release the heat generated by the valve.

12. Extended periods of continuous energization

- If a valve will be continuously energized for an extended period of time, the temperature of the valve will increase due to the heat generated by the coil. This will likely adversely affect the performance of the solenoid valve and any nearby peripheral equipment. Therefore, when it is continuously energized or the energized period per day is longer than the de-energized period, please contact SMC. In addition, it is possible to shorten the energized time by making a valve with an N.O. (normally open) specification.

- For applications such as mounting a valve on a control panel, incorporate measure to limit the heat radiation so that it is within the operating temperature range. For example, the temperature will be high when a 3-station manifold or larger is put next to other valves and continuously energized or the long and continuous energization on both the A and B sides (simultaneous) of dual 3-port valves.

13. Do not disassemble the product or make any modifications, including additional machining.

It may cause human injury and/or an accident.



5 Port Solenoid Valves Precautions 2

Be sure to read this before handling.

Design/Selection

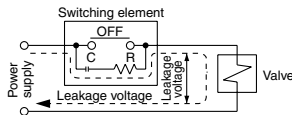
⚠ Caution

1. Momentary energization

If a double solenoid valve is operated with momentary energization, it should be energized for at least 0.1 second. However, depending on the condition of the secondary load, it should be energized until the cylinder reaches the stroke end position, since there is a possibility of malfunction.

2. Leakage voltage

Take note that the leakage voltage will increase when a resistor is used in parallel with switching element or a C-R circuit (surge voltage suppressor) is used for protecting a switching device because of the passing leakage voltage through the C-R circuit. The suppressor residual leakage voltage should be 2% or less of the rated voltage.



3. Surge voltage suppressor

If a surge voltage protection circuit contains non-standard diodes, such as Zener diodes or varistor, a residual voltage that is in proportion to the protective circuit and the rated voltage will remain. Therefore, take into consideration the surge voltage protection of the controller.

In the case of diodes, the residual voltage is approx. 1 V.

4. Surge voltage intrusion

There is no polarity for this series solenoid valves. With non-polar type solenoid valves, at times of sudden interruption of the loading power supply, such as emergency shutdown, surge voltage intrusion may be generated from loading equipment with a large capacity (power consumption), and the solenoid valve in a de-energized state may switch over (see Figure 1).

When installing a breaker circuit for the loading power supply, consider using a solenoid valve with polarity (with polarity protection diode), or install a surge absorption diode between the loading equipment COM line and the output equipment COM line (see Figure 2).

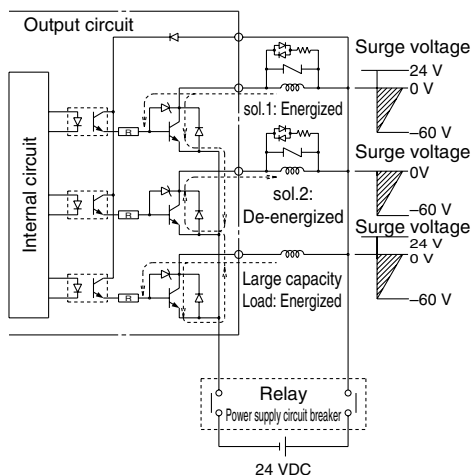


Figure 1. Surge intrusion circuit example (NPN outlet example)

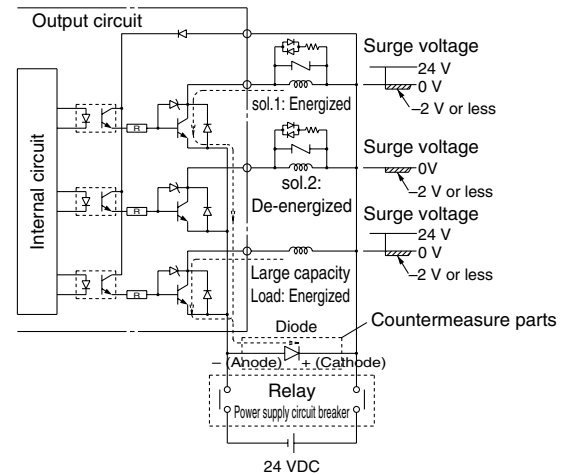


Figure 2. Surge intrusion circuit example (NPN outlet example)

5. Operation in a low temperature condition

Do not operate the valve when the ambient temperature is not between -10°C and 50°C .

Take appropriate measures to avoid freezing of drainage, moisture etc. in low temperature.

6. Operation for air blowing

When using a solenoid valve for air blowing, use an external pilot type.

Use caution because the pressure drop caused by the air blowing can have an affect on the internal pilot type valve when the internal pilot type valves and external pilot type valves are used on the same manifold.

Additionally, when compressed air within the pressure range of the established specifications is supplied to the external pilot type valve's port, and a double solenoid valve is used for air blowing, the solenoids should normally be energized when air is being blown.

7. Mounting orientation

Mounting orientation of a single solenoid 4-position dual 3-port is universal. No specific orientation is necessary. When installing a double solenoid or a 3-position configuration, mount the valve so that spool valve is horizontal.



5 Port Solenoid Valves Precautions 3

Be sure to read this before handling.

Mounting

Warning

1. Operation manual

Install the products and operate them only after reading the operation manual carefully and understanding its contents. Also, keep the manual where it can be referred to as necessary.

2. Ensure sufficient space for maintenance activities.

When installing the products, allow access for maintenance.

3. Tighten threads with the proper tightening torque.

When installing the products, follow the listed torque specifications.

4. If air leakage increases or equipment does not operate properly, stop operation.

Check mounting conditions when air and power supplies are connected. Initial function and leakage tests should be performed after installation.

5. Painting and coating

Warnings or specifications printed or affixed to the product should not be erased, removed or covered up.

Please consult with SMC before applying paint to resinous parts, as this may have an adverse effect due to the solvent in the paint.

Piping

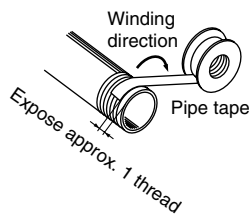
Caution

1. Preparation before piping

Before piping is connected, it should be thoroughly blown out with air (flushing) or washed to remove chips, cutting oil and other debris from inside the pipe.

2. Wrapping of pipe tape

When screwing piping or fittings into ports, ensure that chips from the pipe threads or sealing material do not enter the piping. Also, if pipe tape is used, leave 1 thread ridge exposed at the end of the threads.



3. Closed center type

For closed center type, check the piping to prevent air leakage from the piping between the valve and the cylinder.

4. Connection of fittings

When screwing fittings into valves, tighten as follows.

Tightening Torque for Piping

Connection thread	Proper tightening torque (N·m)
Rc 1/8	7 to 9
Rc 1/4	12 to 14
Rc 3/8	22 to 24
Rc 1/2	28 to 30

5. Piping to products

When piping to a product, refer to the operation manual to avoid mistakes regarding the supply port, etc.

Wiring

Caution

1. Applied voltage

When electric power is connected to a solenoid valve, be careful to apply the proper voltage. Improper voltage may cause malfunction or coil damage.

2. Check the connections.

Check if the connections are correct after completing all wiring.

Lubrication

Warning

1. Lubrication

[Rubber seal]

1) All valves have been lubricated for life by the manufacturer and therefore, do not require lubrication while in service.

2) If a lubricant is used in the system, use class 1 turbine oil (no additive), ISO VG32.

Once a lubricant is used in the system, lubrication must be continued because the original lubricant applied during manufacturing will be washed away.

If turbine oil is used, refer to the Material Safety Data Sheet (MSDS) of the oil.

[Metal seal]

1) These valves can be used without lubrication.

2) If a lubricant is used in the system, use class 1 turbine oil (no additive), ISO VG32.

If turbine oil is used, refer to the Material Safety Data Sheet (MSDS) of the oil.

Class 1 Turbine Oil (with no additive), ISO VG32

Lubricant manufacturer	Class 1 turbine oil (with no additive), ISO VG32
Idemitsu Kosan Co., Ltd.	Diana Fresia S32
Nippon Oil Corp.	Turbine Oil 32
Cosmo Oil Co., Ltd.	Cosmo Turbine 32
Japan Energy Corp.	Turbine 32
Kygnus Oil Co.	Turbine Oil 32
Fuji Kosan Co., Ltd.	Fucoal Turbine 32

Please contact SMC regarding class 2 turbine oil (with additives), ISO VG32.



5 Port Solenoid Valves

Precautions 4

Be sure to read this before handling.

Air Supply

Warning

1. Type of fluids

Please consult with SMC when using the product in applications other than compressed air.

2. When there is a large amount of drainage.

Compressed air containing a large amount of drainage can cause malfunction of pneumatic equipment. An air dryer or water separator should be installed upstream from filters.

3. Drain flushing

If condensation in the drain bowl is not emptied on a regular basis, the bowl will overflow and allow the condensation to enter the compressed air lines. It causes malfunction of pneumatic equipment.

If the drain bowl is difficult to check and remove, installation of a drain bowl with an auto drain option is recommended.

For compressed air quality, refer to SMC's Best Pneumatics catalog.

4. Use clean air.

Do not use compressed air that contains chemicals, synthetic oils including organic solvents, salt or corrosive gases, etc., as it can cause damage or malfunction.

Caution

1. When extremely dry air is used as the fluid, degradation of the lubrication properties inside the equipment may occur, resulting in reduced reliability (or reduced service life) of the equipment. Please consult with SMC.

2. Install an air filter.

Install an air filter upstream near the valve. Select an air filter with a filtration size of 5 µm or smaller.

3. Take measures to ensure air quality, such as by installing an aftercooler, air dryer, or water separator.

Compressed air that contains a large amount of drainage can cause malfunction of pneumatic equipment such as valves. Therefore, take appropriate measures to ensure air quality, such as by providing an aftercooler, air dryer, or water separator.

4. If excessive carbon powder is seen, install a mist separator on the upstream side of the valve.

If excessive carbon dust is generated by the compressor, it may adhere to the inside of a valve and cause it to malfunction.

For compressed air quality, refer to SMC's Best Pneumatics catalog.

Operating Environment

Warning

1. Do not use in an atmosphere having corrosive gases, chemicals, sea water, water, water steam, or where there is direct contact with any of these.

2. Products with IP65 enclosures (based on IEC60529) are protected against dust and water, however, these products cannot be used in water.

3. Products compliant to IP65 satisfy the specifications through mounting. Be sure to read the precautions.

Operating Environment

Warning

4. Do not use in an environment where flammable gas or explosive gas exists. Usage may cause a fire or explosion. The products do not have an explosion proof construction.

5. Do not use in a place subject to heavy vibration and/or shock.

6. The valve should not be exposed to prolonged sunlight. Use a protective cover.

7. Remove any sources of excessive heat.

8. If it is used in an environment where there is possible contact with oil, weld spatter, etc., exercise preventive measures.

9. When the solenoid valve is mounted in a control panel or its energized for long periods of time, make sure ambient temperatures is within the specification of the valve.

Maintenance

Warning

1. Perform maintenance inspection according to the procedures indicated in the operation manual.

If handled improperly, malfunction and damage of machinery or equipment may occur.

2. Removal of equipment, and supply/exhaust of compressed air

When components are removed, first confirm that measures are in place to prevent workpieces from dropping, run-away equipment, etc. Then, cut off the supply pressure and electric power, and exhaust all compressed air from the system using the residual pressure release function.

For 3-position closed center type, exhaust the residual pressure between the valve and the cylinder.

When the equipment is operated after remounting or replacement, first confirm that measures are in place to prevent lurching of actuators, etc. Then, confirm that the equipment is operating normally.

3. Low frequency operation

Valves should be operated at least once every 30 days to prevent malfunction. (Use caution regarding the air supply.)

4. Manual override

When the manual override is operated, connected equipment will be actuated. Operate after safety is confirmed.

Caution

1. Drain flushing

Remove drainage from the air filters regularly. (Refer to the specifications.)

2. Lubrication

In the case of rubber seals, once lubrication has been started, it must be continued.

Use class 1 turbine oil (with no additive), VG32 because if other lubricant oil is used, it may cause malfunction. Please contact SMC for suggested class 2 turbine oil (with additive), VG32.



Series VS_R8-2/4

Specific Product Precautions 1

Be sure to read before handling.

Refer to back pages 1 and 2 for Safety Instructions and back pages 3 to 6 for 5 Port Solenoid Valves Precautions.

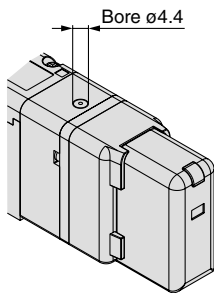
Manual Override

Warning

Connected actuator is started by manual operation. Use the manual override after confirming that there is no danger. Push type is standard. (Tool required) Locking type is semi-standard. (Tool required)

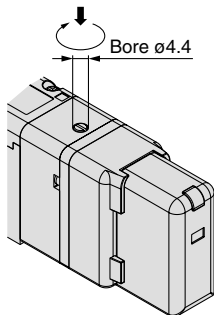
■ VS_R8-2/4

Non-locking push type (Tool required)

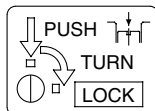


Push down on the manual override with a small screwdriver until it stops. Release the screwdriver and the manual override will return.

Locking type (Tool required) <Semi-standard>



Push down on the manual override with a small flat head screwdriver until it stops. Turn it clockwise by 90° to lock it. Turn it counterclockwise to release it.

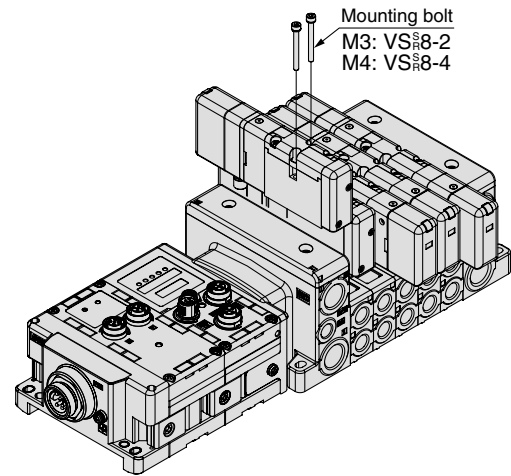


Valve Mounting

Caution

After confirming the gasket is correctly placed under the valve, securely tighten the bolts with the proper torque shown in the below table.

Series	Proper tightening torque (N-m)
VS _R 8-2	0.8 to 1.2
VS _R 8-4	1.0 to 1.8



Installation and Removal of Pilot Valve Cover

Caution

Installation and Removal of Pilot Valve Cover

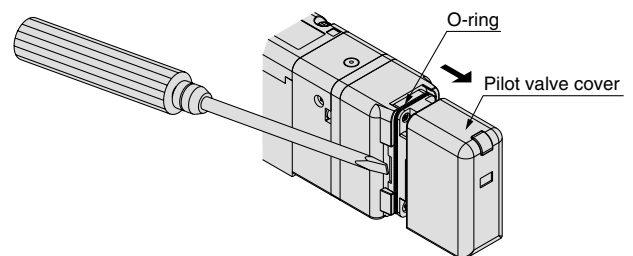
● Removal

To remove the pilot valve cover, spread the cover's hook outward about 1 mm with a flat head screwdriver, and pull the cover straight off.

If it is pulled off at an angle, the pilot valve may be damaged or the protective O-ring may be scratched.

● Installation

Put the cover back on straight without touching the pilot valve, and push it all the way until the cover's hook locks, without twisting the protective O-ring. (When pushed in, the hook opens and locks automatically.)





Series VS_R8-2

Specific Product Precautions 2

Be sure to read before handling.

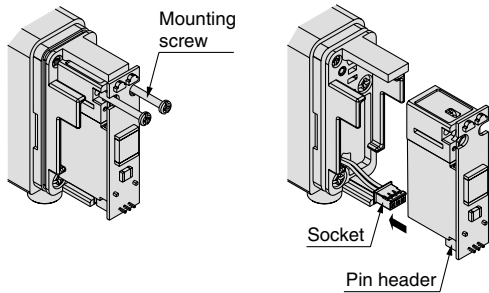
Refer to back pages 1 and 2 for Safety Instructions and back pages 3 to 6 for 5 Port Solenoid Valves Precautions.

Pilot Valve Replacement

Caution

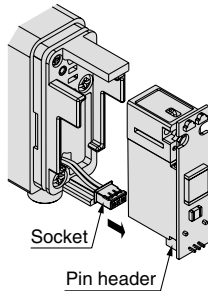
● Removal

- 1) Remove the pilot valve mounting screws with a small screwdriver.
- 2) Remove the sockets which are installed on the pilot valve pin headers by pulling them straight upward.

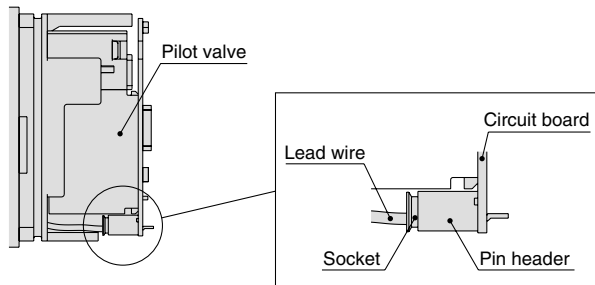


● Installation

- 1) Insert the socket into the pin header horizontally. Pushing it in forcefully may damage the circuit board.
- 2) After confirming installation of the gasket, securely tighten the mounting screws with the proper torque shown in the below table.

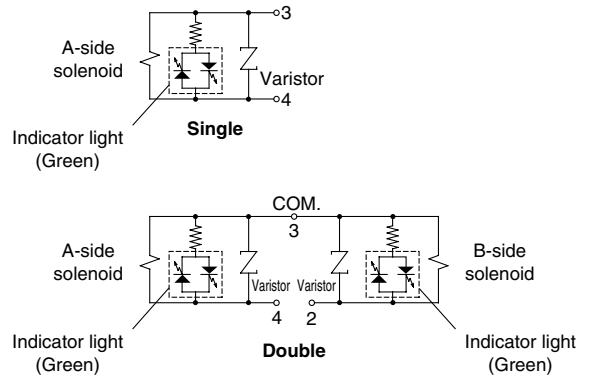


Mounting screw	Proper tightening torque (N-m)
M1.7 x 12	0.12 to 0.13



Internal Wiring Specification

Caution





Series VS_R8-2⁴

Specific Product Precautions 3

Be sure to read before handling.

Refer to back pages 1 and 2 for Safety Instructions and back pages 3 to 6 for 5 Port Solenoid Valves Precautions.

EX600 Precautions

Design/Selection

Warning

- 1. Use this product within the specification range.**
Using beyond the specified specifications range can cause fire, malfunction, or damage to the system. Confirm the specifications when operating.
- 2. When using for an interlock circuit:**
 - Provide a multiple interlock system which is operated by another system (such as mechanical protection function).
 - Perform an inspection to check that it is working properly.

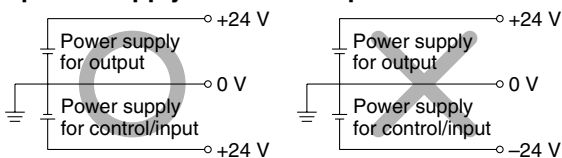
This may cause possible injury due to malfunction.

Caution

- 1. Use the UL-certified products below for combined direct current power supply.**
 - (1) Circuit in which voltage and current are controlled in accordance with UL508
Circuit which makes the winding wire in the secondary side of the insulation transformer (which meets the following conditions) to be as the power supply
 - Maximum voltage (with no load):
30 Vrms (42.4 V at peak) or less
 - Maximum current:
 1. 8 A or less (including short-circuited)
 2. and in case of being controlled by circuit protection devices (fuse, etc) which meets the below rated voltages.

Voltage with no load (V peak)	Maximum rated current
0 to 20 (V)	5.0
Exceeding 20 (V) up to 30 (V)	100
	Voltage figure at peak

- (2) Class 2 power supply unit in accordance with UL1310 or circuit (Class 2 circuit) in accordance with UL1585, that is powered by Class 2 transformer with the maximum of 30 Vrms (42.4 V at peak)
- 2. Use this product within the specified voltage range.**
Using beyond the specified voltage range is likely to cause the units and connecting devices to be damaged or to malfunction.
- 3. The power supply for the unit should be 0 V as the standard for both power supply for output as well as power supply for control/input.**



- 4. Do not install a unit in a place where it can be used as a foothold.**
Applying any excessive load such as stepping on the unit by mistake or placing a foot on it, will cause it to break.
- 5. Keep the surrounding space free for maintenance.**
When designing a system, take into consideration the amount of free space needed for performing maintenance.
- 6. Do not remove the name plate.**
Improper maintenance or incorrect use of operation manual can cause failure and malfunction. Also, there is a risk of losing conformity with safety standards.
- 7. Beware of inrush current when the power supply is turned on.**
Some connected loads can apply an initial charge current which will trigger the over current protection function, causing the unit to malfunction.

Mounting

Caution

- 1. When handling and assembling units:**
 - Do not touch the sharp metal parts of the connector or plug.
 - Do not apply excessive force to the unit.
The connecting portions of the unit are firmly joined with seals.
 - When joining units, take care not to get fingers caught between units.
Injury can result.
- 2. Do not drop, bump, or apply excessive impact.**
Otherwise, the unit can become damaged, malfunction, or fail to function.
- 3. Observe the tightening torque range.**
Tightening outside of the allowable torque range will likely damage the product.
IP67 protection class cannot be guaranteed if the screws are not tightened to the specified torque.
- 4. When lifting a large size manifold solenoid valve unit, take care to avoid causing stress to the valve connection joint.**
The connection parts of the unit may be damaged.
Because the unit may be heavy, carrying and installation should be performed by more than one operator to avoid strain or injury.
- 5. When placing a manifold, mount it on a flat surface.**
Torsion in the whole manifold can lead to trouble such as air leakage or defective insulation.

Wiring

Caution

- 1. Confirm grounding to maintain the safety of the reduced wiring system and for anti-noise performance.**
Provide a specific grounding as close to the unit as possible to minimize the distance to grounding.
- 2. Avoid repeatedly bending or stretching the cable and applying a heavy object or force to it.**
Wiring applying repeated bending and tensile stress to the cable can break the circuit.
- 3. Avoid miswiring.**
If miswired, there is a danger of malfunction or damage to the reduced wiring system.
- 4. Do not wire while energizing the product.**
There is a danger of malfunction or damage to the reduced wiring system or input/output equipment.



Specific Product Precautions 4

Be sure to read before handling.

Refer to back pages 1 and 2 for Safety Instructions and back pages 3 to 6 for 5 Port Solenoid Valves Precautions.

EX600 Precautions

Wiring

Caution

5. Avoid wiring the power line and high-pressure line in parallel.

Noise or surge produced by signal line resulting from the power line or high pressure line could cause malfunction. Wiring of the reduced wiring system or input/output device and the power line or high-pressure line should be separated from each other.

6. Confirm the wiring insulation.

Defective insulation (contact with other circuits, improper insulation between terminals, etc.) may cause damage to the reduced wiring system or input/output device due to excessive voltage or current.

7. When a reduced wiring system is installed in machinery/equipment, provide adequate protection against noise by using noise filters, etc.

Noise in signal lines may cause malfunction.

8. When connecting wires of input/output device or handheld terminal, prevent water, solvent or oil from entering inside from the connector section.

This can cause damage, equipment failure, or malfunction.

9. Avoid wiring patterns in which excessive stress is applied to the connector.

This may cause malfunction or damage to the unit due to contact failure.

Operating Environment

Warning

1. Do not use in an atmosphere containing an inflammable gas or explosive gas.

Use in such an atmosphere is likely to cause a fire or explosion. This system is not explosion-proof.

Caution

1. Select the proper type of enclosure according to the environment of operation.

IP65/67 protection class is achieved when the following conditions are met.

- 1) The units are connected properly with wiring cable for power supply, communication connector, and cable with M12 connector.
- 2) Suitable mounting of each unit and manifold valve.
- 3) Be sure to mount a seal cap on any unused connectors.

If using in an environment that is exposed to water splashes, take measures such as using a cover. Also, the Handheld Terminal confirms to IP20, so prevent foreign matter from entering inside, and water, solvent or oil from coming in direct contact with it.

Operating Environment

Caution

2. Provide adequate protection when operating in locations such as follows.

Failure to do so may cause damage or malfunction. The effect of countermeasures should be checked in individual equipment and machine.

- 1) Where noise is generated by static electricity, etc.
- 2) Where there is a strong electric field
- 3) Where there is a danger of exposure to radiation
- 4) When in close proximity to power supply lines

3. Do not use in an environment where oil and chemicals are used.

Operating in environments with coolants, cleaning solvents, various oils or chemicals may cause adverse effects (damage, malfunction) to the unit even in a short period of time.

4. Do not use in an environment where the product could be exposed to corrosive gas or liquid.

This may damage the unit and cause it to malfunction.

5. Do not use in locations with sources of surge generation.

Installation of the unit in an area around the equipment (electromagnetic lifters, high frequency induction furnaces, welding machine, motors etc.), which generates the large surge voltage could cause to deteriorate an internal circuitry element of the unit or result in damage. Implement countermeasures against the surge from the generating source, and avoid touching the lines with each other.

6. Use the product type that has an integrated surge absorption element when directly driving a load which generates surge voltage by relay, solenoid valves or lamp.

When a surge generating load is directly driven, the unit may be damaged.

7. The product is CE marked, but not immune to lightning strikes. Take measures against lightning strikes in your system.

8. Keep dust, wire scraps and other extraneous material from getting inside the product.

This may cause malfunction or damage.

9. Mount the unit in such locations, where no vibration or shock is affected.

This may cause malfunction or damage.

10. Do not use in places where there are cyclic temperature changes.

In case that the cyclic temperature is beyond normal temperature changes, the internal unit is likely to be adversely effected.

11. Do not use in direct sunlight.

Do not use in direct sunlight. It may cause malfunction or damage.

12. Use this product within the specified ambient temperature range.

This may cause malfunction.

13. Do not use in places where there is radiated heat around it.

Such a place is likely to cause malfunction.



Series VS_R8-2/4

Specific Product Precautions 5

Be sure to read before handling.

Refer to back pages 1 and 2 for Safety Instructions and back pages 3 to 6 for 5 Port Solenoid Valves Precautions.

EX600 Precautions

Adjustment/Operation

Warning

1. Do not perform operation or setting with wet hands.
There is a risk of electrical shock.

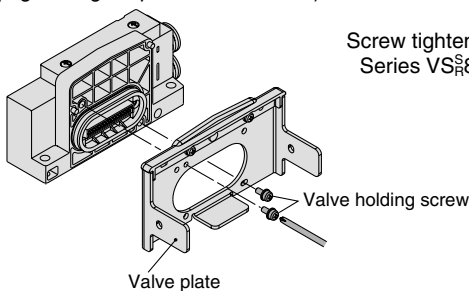
<Handheld Terminal>

2. Do not apply pressure to the LCD display.
There is a possibility of the crack of LCD display and injuring.
3. The forced input/output function is used to change the signal status forcibly. When operating this function, be sure to check the safety of the surroundings and installation.
Otherwise, injury or equipment damage could result.
4. Incorrect setting of parameters can cause malfunction. Be sure to check the settings before use.
This may cause injury or equipment damage.

Caution

1. Use a watchmaker's screwdriver with thin blade for the setting of each switch of the SI unit.
When setting the switch, do not touch other unrelated parts.
This may cause parts damage or malfunction due to a short circuit.
 2. Provide adequate setting for the operating conditions.
Failure to do so could result in malfunction.
Refer to the operation manual for setting of the switches.
 3. For the details of programming and address setting, refer to the manual from the PLC manufacturer.
The content of programming related to protocol is designed by the manufacturer of the PLC used.
- ##### <Handheld Terminal>
4. Do not press the setting buttons with a sharp pointed object.
This may cause damage or malfunction.
 5. Do not apply excessive load and impact to the setting buttons.
This may cause damage, equipment failure or malfunction.

When the order does not include the SI unit, the valve plate to connect the manifold and SI unit is not mounted. Use attached valve fixing screws and mount the valve plate.
(Tightening torque: 0.6 to 0.7 N·m)



Maintenance

Warning

1. Do not disassemble, modify (including circuit board replacement) or repair this product.
Such actions are likely to cause injuries or breakage.
2. When an inspection is performed,
 - Turn off the power supply.
 - Stop the air supply, exhaust the residual pressure in piping and verify that the air is released before performing maintenance work.
Unexpected malfunction of system components and injury can result.

Caution

1. When handling and replacing the unit:
 - Do not touch the sharp metal parts of the connector or plug.
 - Do not apply excessive force to the unit.
The connecting portions of the unit are firmly joined with seals.
 - When joining units, take care not to get fingers caught between units.
Injury can result.
2. Perform periodic inspection.
Unexpected malfunction in the system composition devices is likely to occur due to malfunction of machinery or equipment.
3. After maintenance, make sure to perform an appropriate functionality inspection.
In cases of abnormality such as faulty operation, stop operation. Unexpected malfunction in the system composition devices is likely to occur.
4. Do not use benzene and thinner for cleaning units.
Damage to the surface or erasure of the display can result. Wipe off any stains with a soft cloth.
If the stain is persistent, wipe off with a cloth soaked in a dilute solution of neutral detergent and wrung out tightly, and then finish with a dry cloth.

Other

Caution

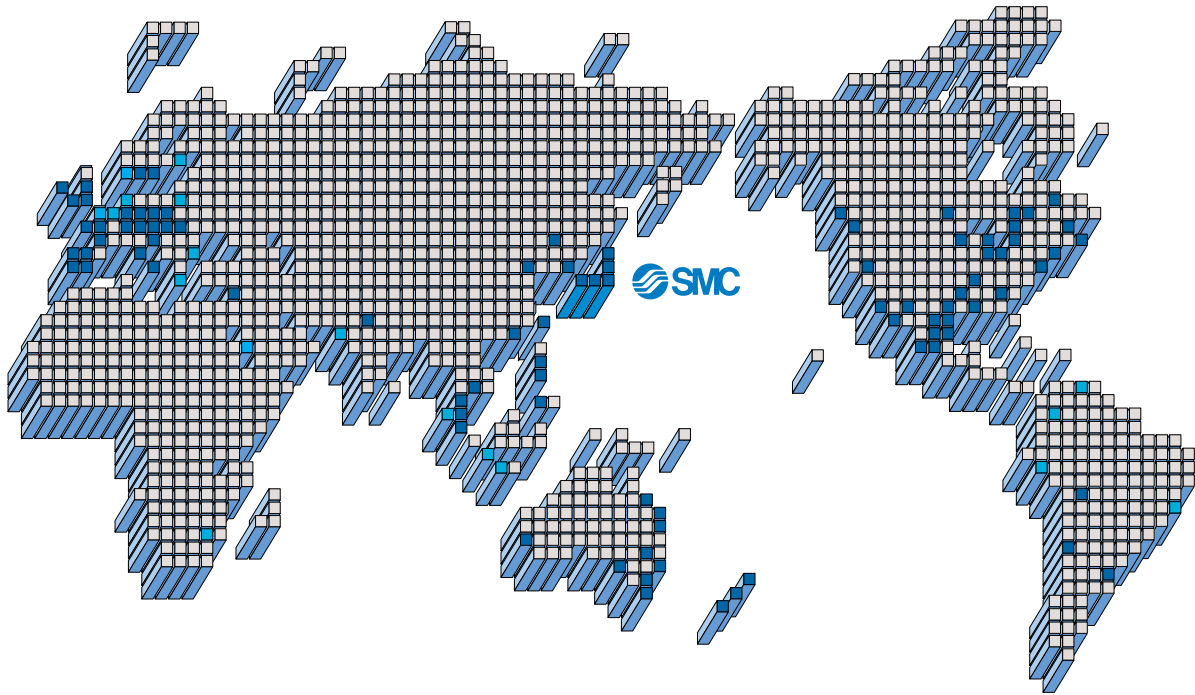
1. For precautions and product specific precautions for manifold solenoid valves, refer to the catalog that includes each product series.

Trademark

DeviceNet™ is a trademark of ODVA.

Product names described in this catalog may be used as trademarks by each manufacturer.

SMC'S GLOBAL MANUFACTURING, DISTRIBUTION AND SERVICE NETWORK



EUROPE

AUSTRIA

SMC Pneumatik GmbH (Austria)

BELGIUM

SMC Pneumatics N.V./S.A.

BULGARIA

SMC Industrial Automation Bulgaria Eood

CROATIA

SMC Industrijska Automatika d.o.o.

CZECH REPUBLIC

SMC Industrial Automation CZ s.r.o.

DENMARK

SMC Pneumatik A/S

ESTONIA

SMC Pneumatics Estonia OÜ

FINLAND

SMC Pneumatics Finland Oy

FRANCE

SMC Pneumatique SA

GERMANY

SMC Pneumatik GmbH

GREECE

SMC Hellas E.P.E.

HUNGARY

SMC Hungary Ipari Automatizálási Kft.

IRELAND

SMC Pneumatics (Ireland) Ltd.

ITALY

SMC Italia S.p.A.

LATVIA

SMC Pnuematics Latvia SIA

LITHUANIA

UAB "SMC Pneumatics"

NETHERLANDS

SMC Pneumatics B.V.

NORWAY

SMC Pneumatics Norway AS

POLAND

SMC Industrial Automation Polska Sp.z.o.o.

ROMANIA

SMC Romania S.r.l.

RUSSIA

SMC Pneumatik LLC

SLOVAKIA

SMC Priemyselná Automatizácia Spol s.r.o.

SLOVENIA

SMC Industrijska Avtomatika d.o.o.

SPAIN/PORTUGAL

SMC España S.A.

SWEDEN

SMC Pneumatics Sweden AB

SWITZERLAND

SMC Pneumatik AG

U.K.

SMC Pneumatics (U.K.) Ltd.

ASIA

CHINA

SMC (China) Co., Ltd.

HONG KONG

SMC Pneumatics (Hong Kong) Ltd.

INDIA

SMC Pneumatics (India) Pvt. Ltd.

MALAYSIA

SMC Pneumatics (S.E.A.) Sdn. Bhd.

PHILIPPINES

Shoketsu SMC Corporation

SINGAPORE

SMC Pneumatics (S.E.A.) Pte. Ltd.

SOUTH KOREA

SMC Pneumatics Korea Co., Ltd.

TAIWAN

SMC Pneumatics (Taiwan) Co., Ltd.

THAILAND

SMC (Thailand) Ltd.

NORTH AMERICA

CANADA

SMC Pneumatics (Canada) Ltd.

MEXICO

SMC Corporation (Mexico), S.A. de C.V.

U.S.A.

SMC Corporation of America

SOUTH AMERICA

ARGENTINA

SMC Argentina S.A.

BOLIVIA

SMC Pneumatics Bolivia S.r.l.

BRAZIL

SMC Pneumáticos do Brasil Ltda

CHILE

SMC Pneumatics (Chile) S.A.

VENEZUELA

SMC Neumatica Venezuela S.A.

OCEANIA

AUSTRALIA

SMC Pneumatics (Australia) Pty. Ltd.

NEW ZEALAND

SMC Pneumatics (N.Z.) Ltd.



Safety Instructions

Be sure to read "Handling Precautions for SMC Products" (M-E03-3) before using.